



US00D677019S

(12) **United States Design Patent**  
**Cirincione et al.**

(10) **Patent No.:** **US D677,019 S**

(45) **Date of Patent:** **\*\* Feb. 26, 2013**

(54) **PET BOWL**

(76) Inventors: **Noah Anthony Cirincione**, Huntington Beach, CA (US); **Abigail Ruth Cirincione**, Huntington Beach, CA (US)

(\*\*) Term: **14 Years**

(21) Appl. No.: **29/413,957**

(22) Filed: **Feb. 23, 2012**

(51) **LOC (9) Cl.** ..... **30-03**

(52) **U.S. Cl.** ..... **D30/133; D30/130; D30/131**

(58) **Field of Classification Search** ..... D30/133, D30/121, 128, 130, 132; 119/52.1, 55, 61.5–61.56; D6/480–485; 248/188; 312/204; 108/153.1–157  
See application file for complete search history.

D340,552	S *	10/1993	Smith	.....	D30/121
D377,244	S *	1/1997	Steininger	.....	D30/133
D393,107	S *	3/1998	Tsengas	.....	D30/121
5,730,081	A *	3/1998	Tsengas	.....	119/51.5
5,794,565	A *	8/1998	Beshah	.....	119/61.54
D408,225	S *	4/1999	Hodosh	.....	D7/605
D424,252	S *	5/2000	Hirsh	.....	D30/130
6,145,474	A *	11/2000	Lemkin	.....	119/61.5
D442,443	S *	5/2001	Perndocaj et al.	.....	D7/701
D486,273	S *	2/2004	Tsengas	.....	D30/130
D486,274	S *	2/2004	Tsengas	.....	D30/130
D491,697	S *	6/2004	Tsengas	.....	D30/130
6,854,419	B1 *	2/2005	Tsengas	.....	119/51.5
7,124,709	B1 *	10/2006	Greer	.....	119/61.5
D580,110	S *	11/2008	Tsengas	.....	D30/133
D592,814	S *	5/2009	Uffner et al.	.....	D30/133
D621,560	S *	8/2010	McMurphy	.....	D30/133
D662,265	S *	6/2012	Lee et al.	.....	D30/133
D667,175	S *	9/2012	McMurphy	.....	D30/133
2010/0107984	A1 *	5/2010	Uffner et al.	.....	119/61.5

\* cited by examiner

*Primary Examiner* — Susan Moon Lee

(56) **References Cited**

**U.S. PATENT DOCUMENTS**

3,176,656	A *	4/1965	Bates	.....	119/62
D232,103	S *	7/1974	Suzuki	.....	D30/130
3,915,304	A *	10/1975	Pasco et al.	.....	206/545
4,022,160	A *	5/1977	Lester	.....	119/51.01
4,065,195	A *	12/1977	Fahmie	.....	312/258
D258,018	S *	1/1981	Venditto et al.	.....	D30/130
4,357,905	A *	11/1982	Carpenter	.....	119/61.53
4,633,815	A *	1/1987	Peterson et al.	.....	119/72
D291,643	S *	9/1987	Morris	.....	D7/605
4,699,089	A *	10/1987	Teschke	.....	119/51.5
4,793,290	A *	12/1988	O'Donnell	.....	119/62
4,805,776	A *	2/1989	Namgyal et al.	.....	206/523
4,856,459	A *	8/1989	Wiseman et al.	.....	119/73
4,883,022	A *	11/1989	Barker	.....	119/73
D312,896	S *	12/1990	Goetz	.....	D30/130
5,133,291	A *	7/1992	Justice	.....	119/51.01
5,152,247	A *	10/1992	Brown	.....	119/464
5,174,245	A *	12/1992	Bishop	.....	119/73
D336,218	S *	6/1993	Hague	.....	D7/701

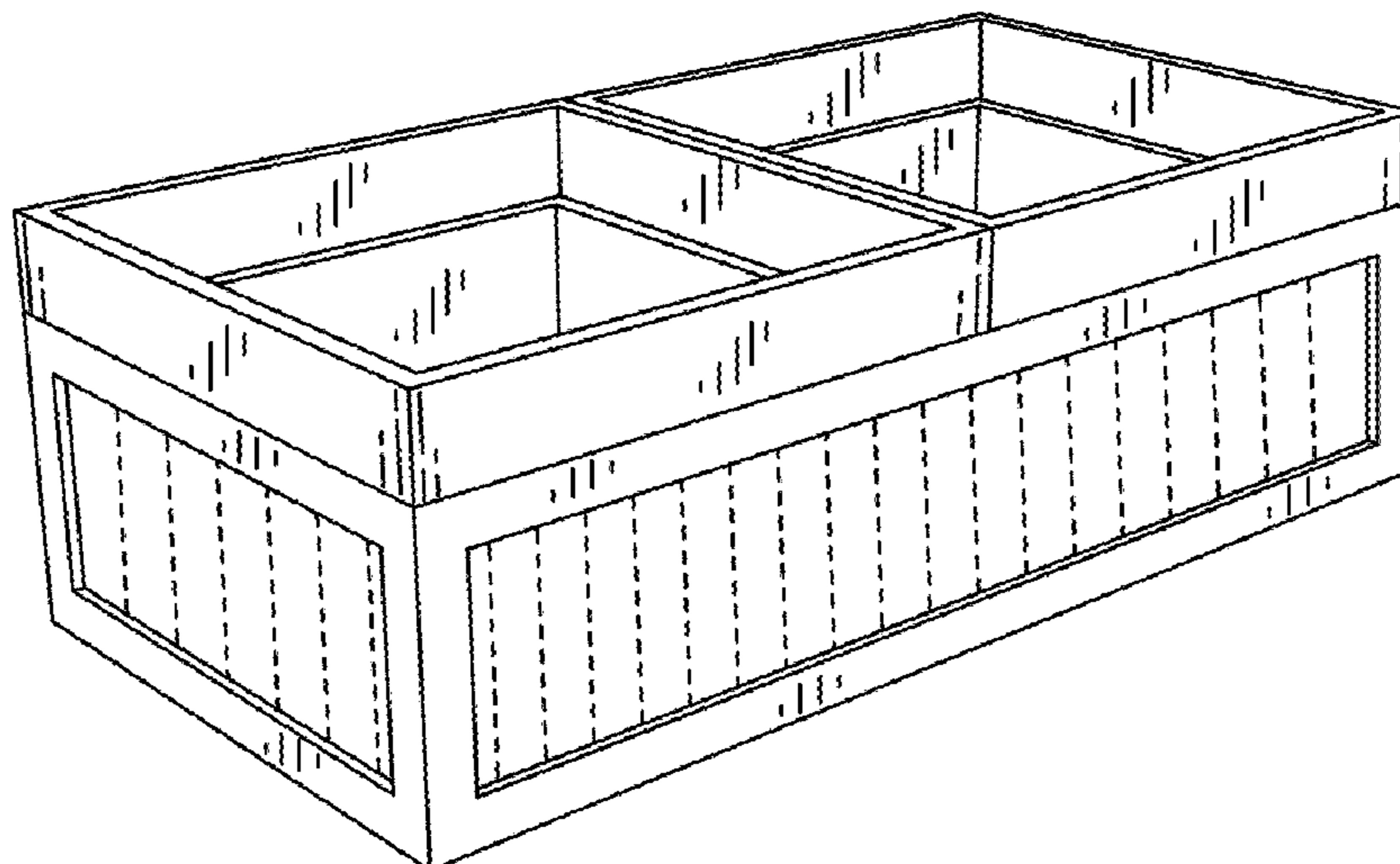
(57) **CLAIM**

The ornamental design for a pet bowl, as shown & described.

**DESCRIPTION**

FIG. 1 is a perspective view of a pet bowl showing our new design;  
FIG. 2 is a top elevation view thereof;  
FIG. 3 is a right side elevation view thereof. The left side view being a mirror image thereof;  
FIG. 4 is a front elevation view thereof. The rear view being a mirror image thereof; and,  
FIG. 5 is a bottom elevation view thereof.  
Broken lines and portions contained within broken lines are not claimed.

**1 Claim, 1 Drawing Sheet**



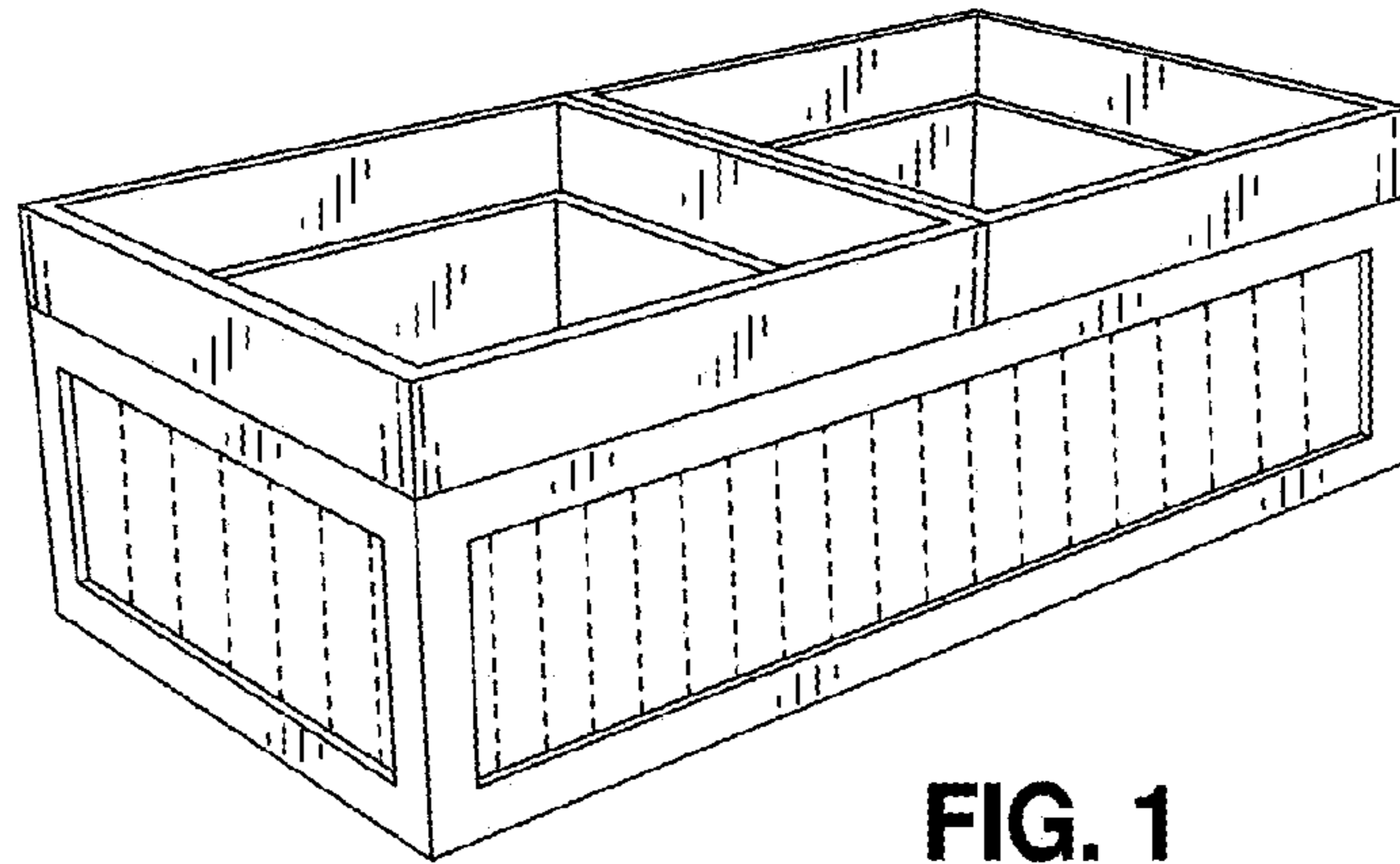


FIG. 1

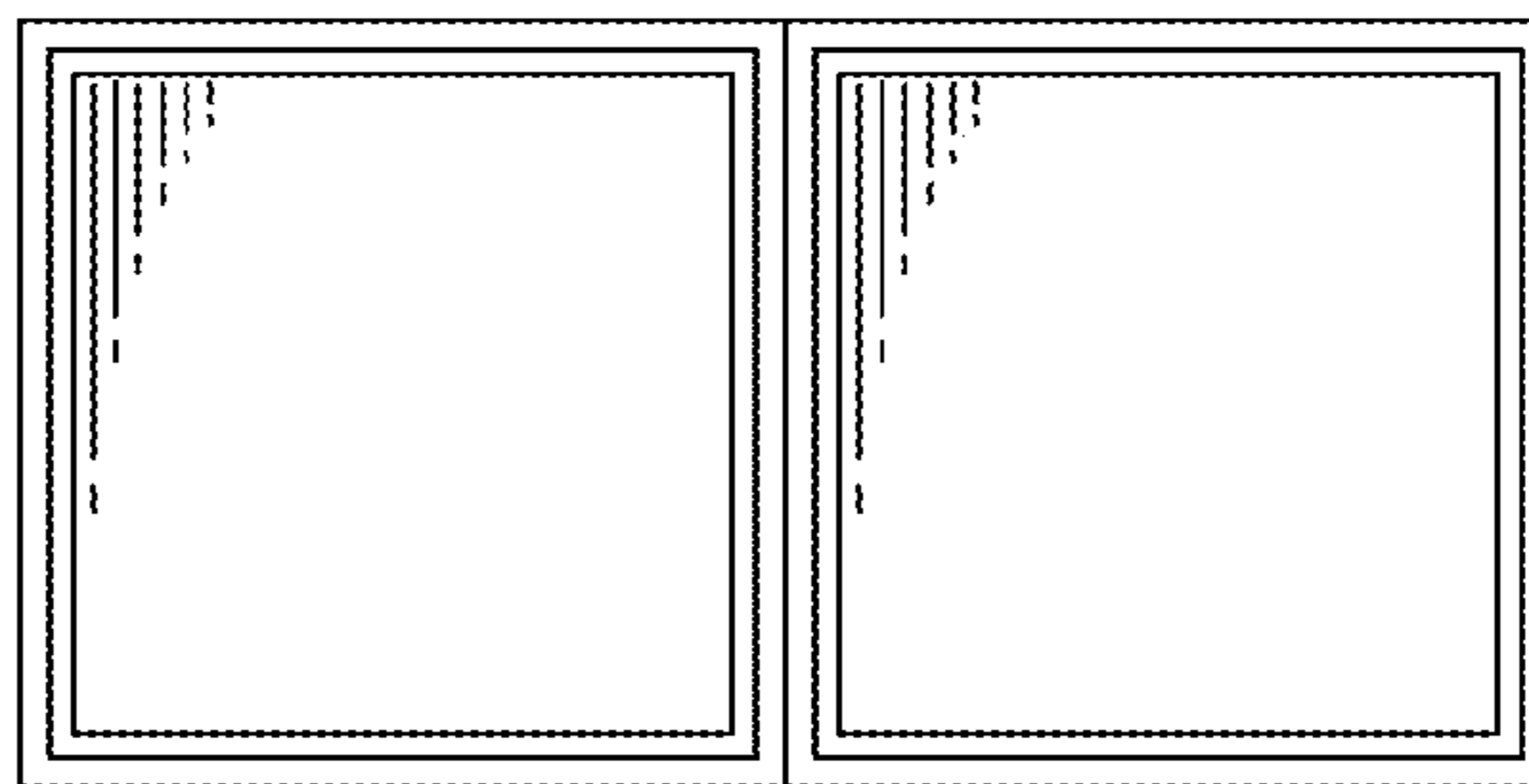


FIG. 2



FIG. 3



FIG. 4

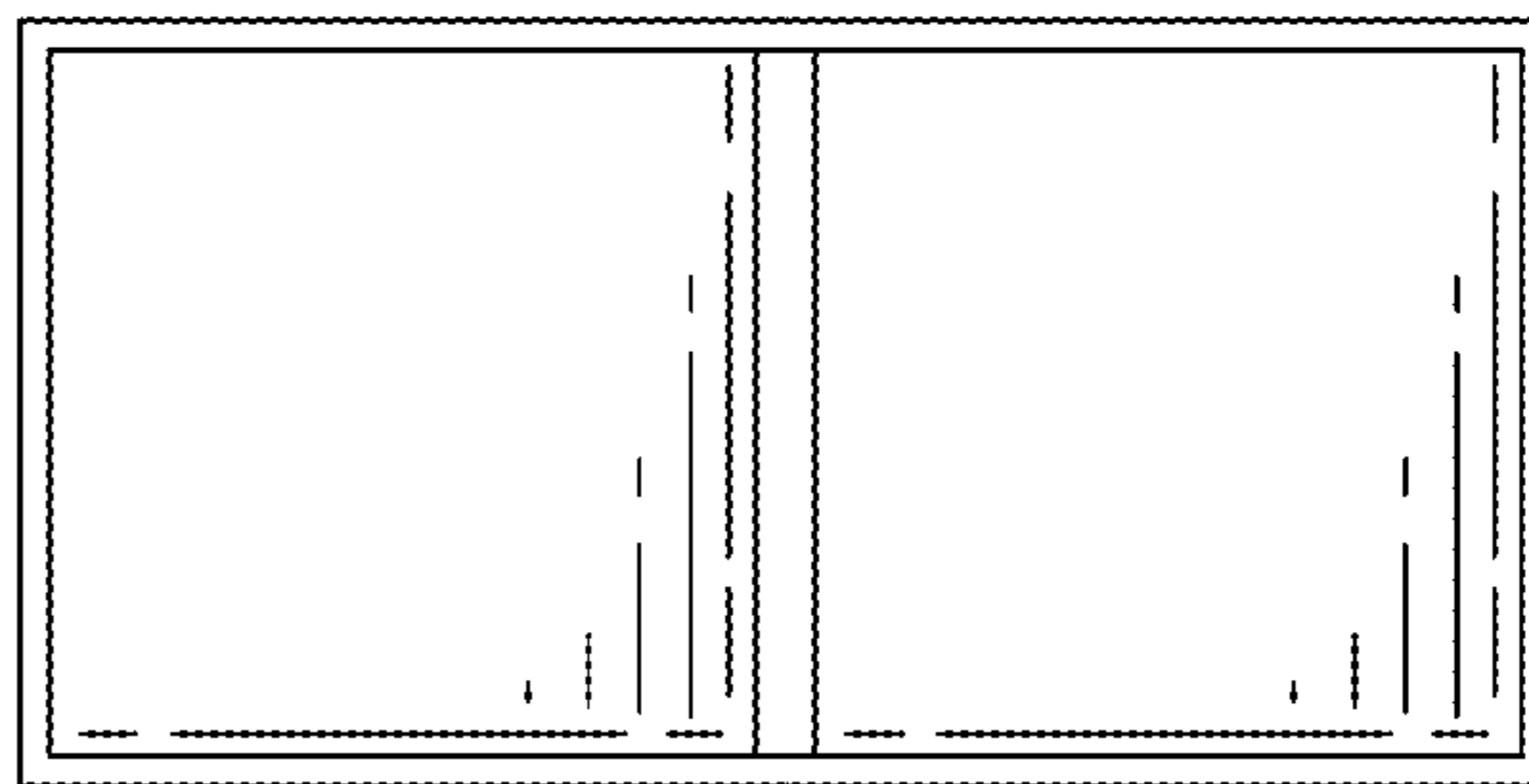


FIG. 5