



US00D677017S

(12) **United States Design Patent**
Jeffries

(10) **Patent No.:** **US D677,017 S**

(45) **Date of Patent:** **** Feb. 26, 2013**

(54) **ANIMAL FEEDER**

(76) Inventor: **Mark A. Jeffries**, North Canton, OH
(US)

(**) Term: **14 Years**

(21) Appl. No.: **29/418,759**

(22) Filed: **Apr. 20, 2012**

(51) **LOC (9) Cl.** **30-03**

(52) **U.S. Cl.** **D30/131; D30/121**

(58) **Field of Classification Search** D30/133,
D30/121, 122, 124, 127, 128, 132, 129-131;
119/51.01, 61, 51.04, 53, 57.91, 54, 53.5,
119/52.4, 51.11, 63, 61.2, 52.1, 57.5, 57.6,
119/51.13, 62, 75, 500, 501, 73, 74, 51.12,
119/51.5, 52.2, 61.1, 60, 58, 59, 61.4; 239/7,
239/687, 379, 397.5; 222/199, 181.1, 181.2,
222/185.1, 557, 156, 485, 486, 548, 555;
220/200, 227, 247, 262, 697-702; 221/174,
221/185.1, 289, 295, 296, 559; 454/35; 209/270,
209/283, 244; 52/194, 192; 49/279, 344,
49/357; D34/28; D7/409, 601; 211/181.1;
414/24.5; D32/53.1; 15/260, 262, 264, 257.01,
15/257.05, 257.06; 118/419; D9/424, 429;
D11/156, 143-155, 64; D6/403

See application file for complete search history.

(56) **References Cited**

U.S. PATENT DOCUMENTS

339,694 A * 4/1886 Rine et al. 119/61.4
432,671 A * 7/1890 Kent 119/61.1
526,249 A * 9/1894 Meeker 220/9.3
749,717 A * 1/1904 Carpenter 119/61.1
823,806 A * 6/1906 Overfield 119/60
1,644,263 A * 10/1927 Moellring 119/61.3
1,779,178 A * 10/1930 Lorentzen 144/355
D157,213 S * 2/1950 Stevens D32/53.1

2,691,362 A * 10/1954 Moyer et al. 119/61.1
D184,515 S * 3/1959 Fawick D11/156
3,121,418 A * 2/1964 Stone 119/61.1
3,259,106 A * 7/1966 Ray et al. 119/51.03
D236,569 S * 9/1975 Kramer D11/156
D256,683 S * 9/1980 Merritt D11/156
4,253,424 A * 3/1981 Williams 119/61.4
D271,954 S * 12/1983 Neil D11/156
D271,955 S * 12/1983 Neil D11/156
D286,929 S * 11/1986 Brandon D32/53.1
5,000,122 A * 3/1991 Smith 119/58
D338,286 S * 8/1993 Jaramillo D30/121
D346,261 S * 4/1994 Fay D34/29
D351,709 S * 10/1994 Williams D34/28
D364,253 S * 11/1995 Pianella D32/53.1
D403,268 S * 12/1998 Dignam D11/156
D431,889 S * 10/2000 Jansen et al. D34/28
D518,263 S * 3/2006 Verhaar D32/53.1
7,073,460 B1 * 7/2006 Rasmussen et al. 119/60
D548,896 S * 8/2007 Stewart D30/131
D561,963 S * 2/2008 Pedros D32/53.1
D637,361 S * 5/2011 Jeffries D30/131

* cited by examiner

Primary Examiner — Susan Moon Lee

(74) *Attorney, Agent, or Firm* — Alvin T. Rockhill

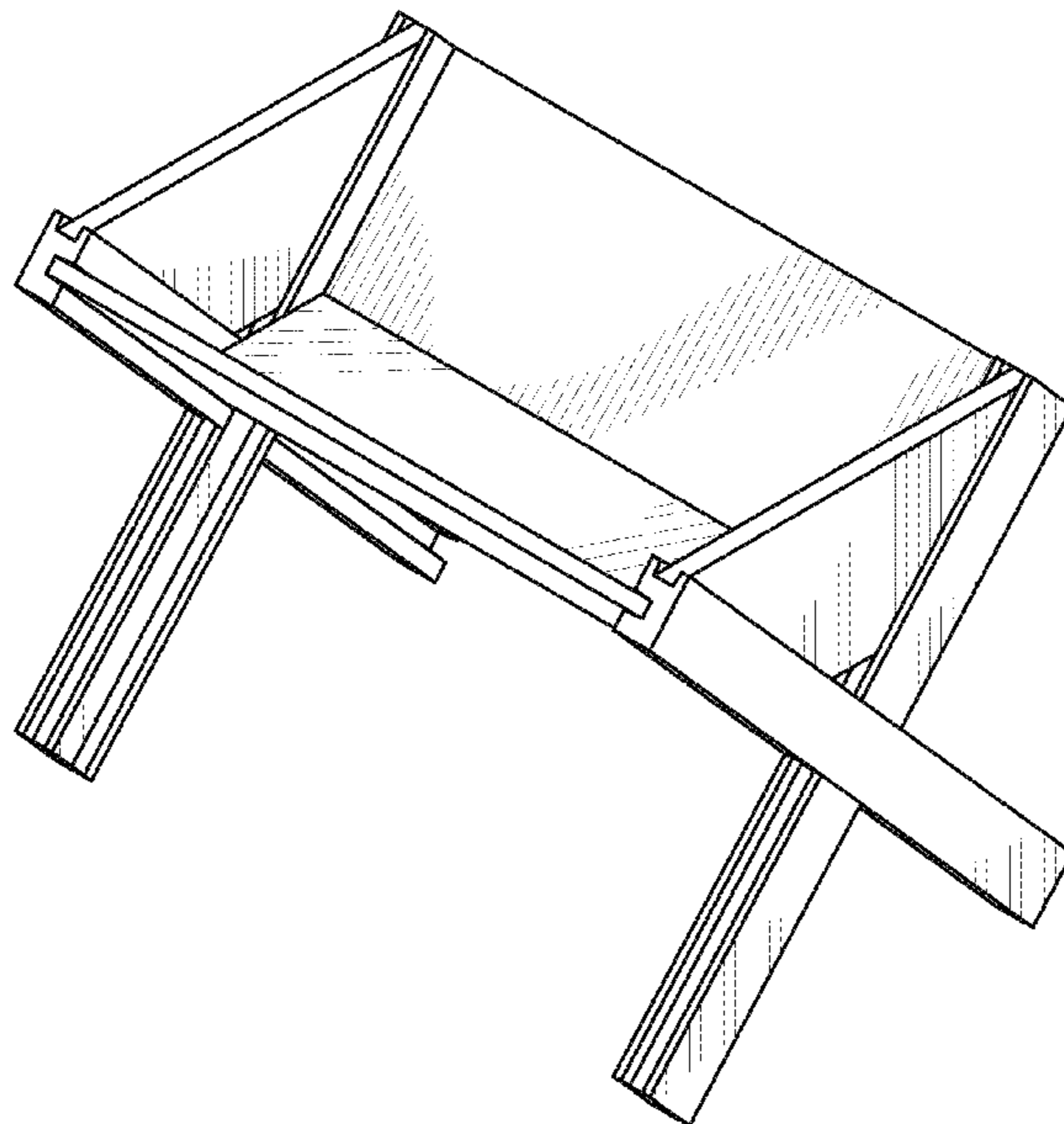
(57) **CLAIM**

The ornamental design for an animal feeder, as shown and described.

DESCRIPTION

FIG. 1 is a front-top perspective view of the animal feeder.
FIG. 2 is a front-bottom perspective view of the animal feeder.
FIG. 3 is a front view of the animal feeder with the back view being identical to the front view.
FIG. 4 is a right side view of the animal feeder with the left side view being identical to the right side view.
FIG. 5 is a top view of the animal feeder; and,
FIG. 6 is a bottom view of the animal feeder.

1 Claim, 6 Drawing Sheets



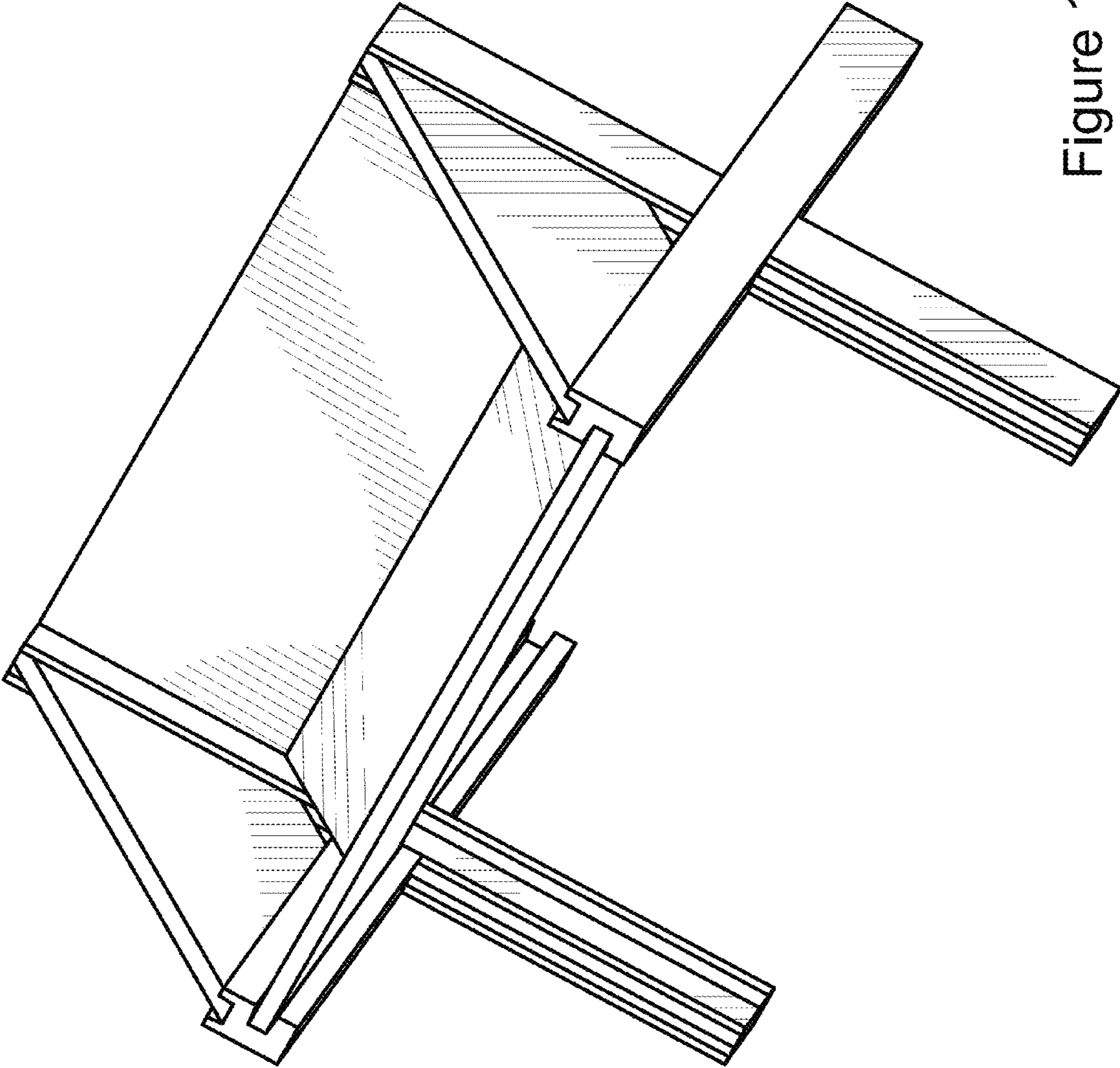


Figure 1

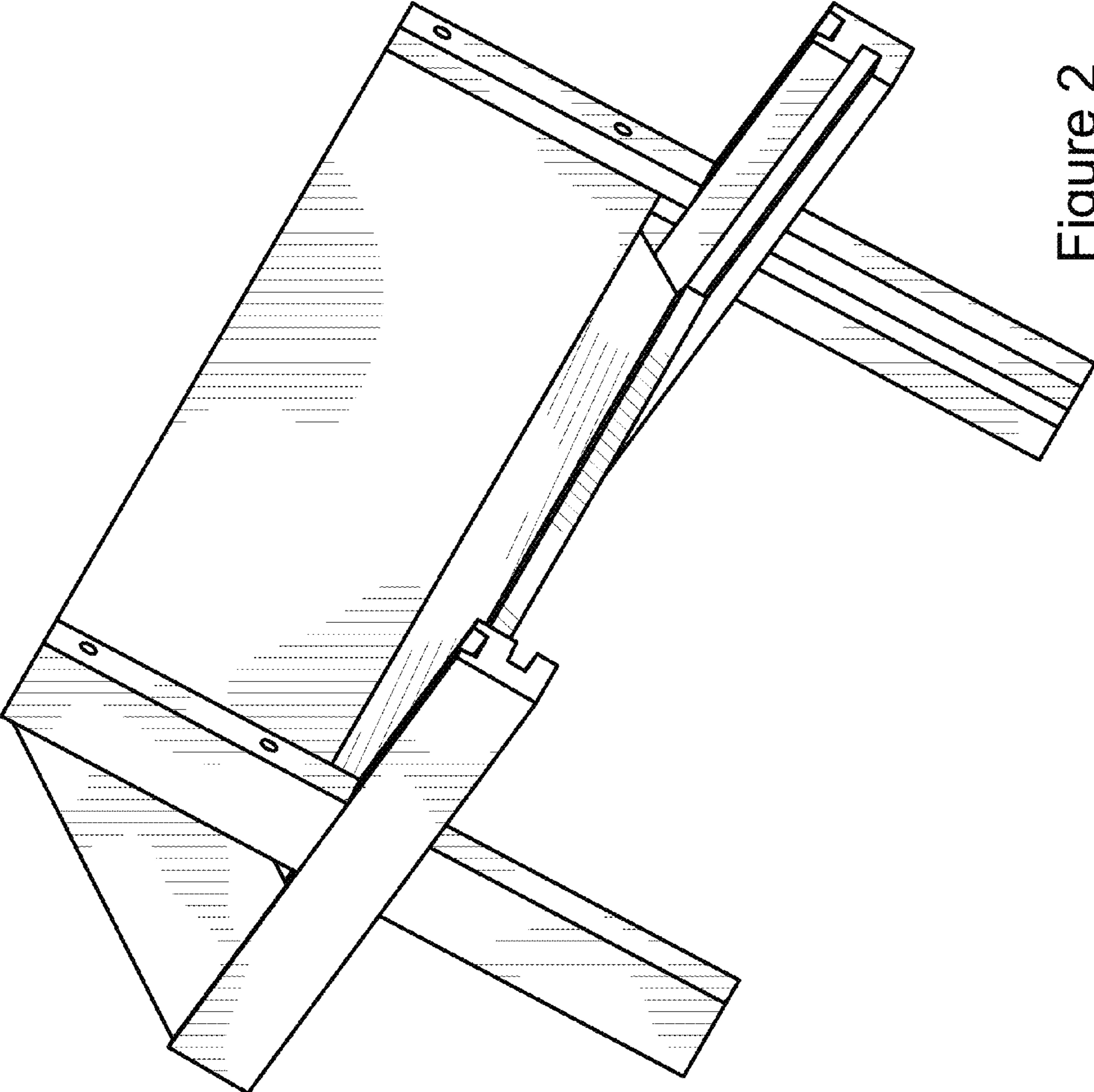


Figure 2

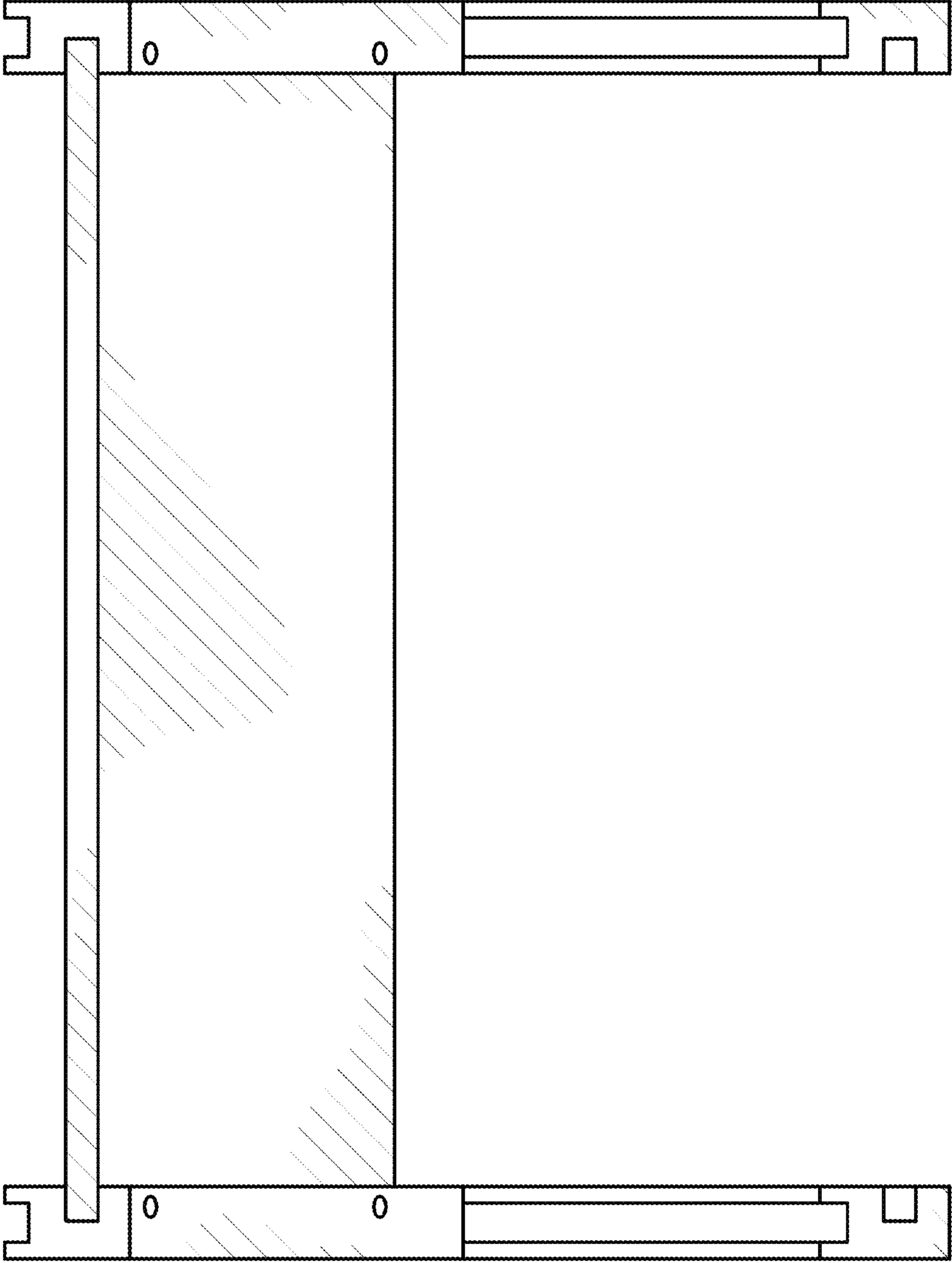


Figure 3

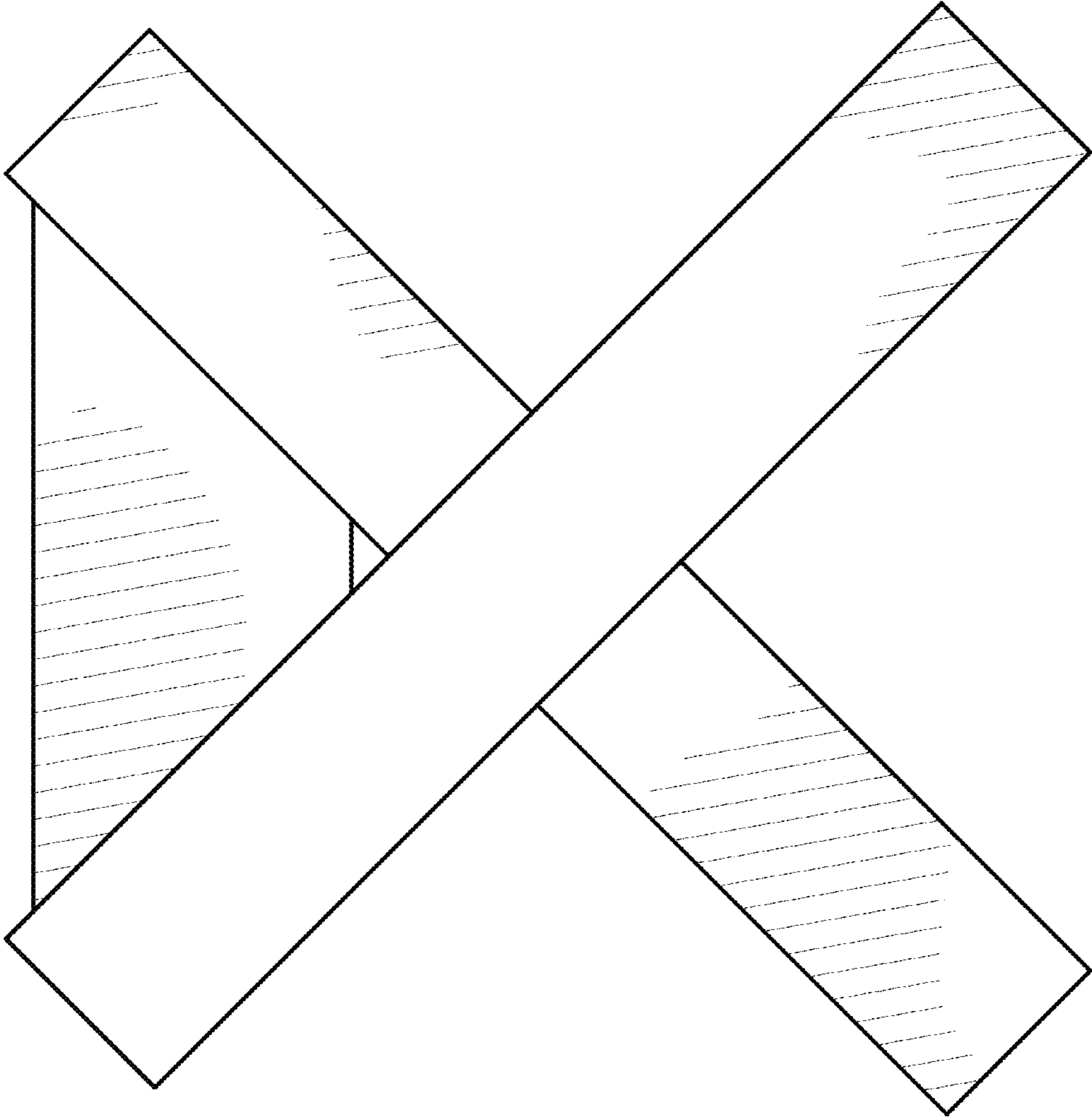


Figure 4

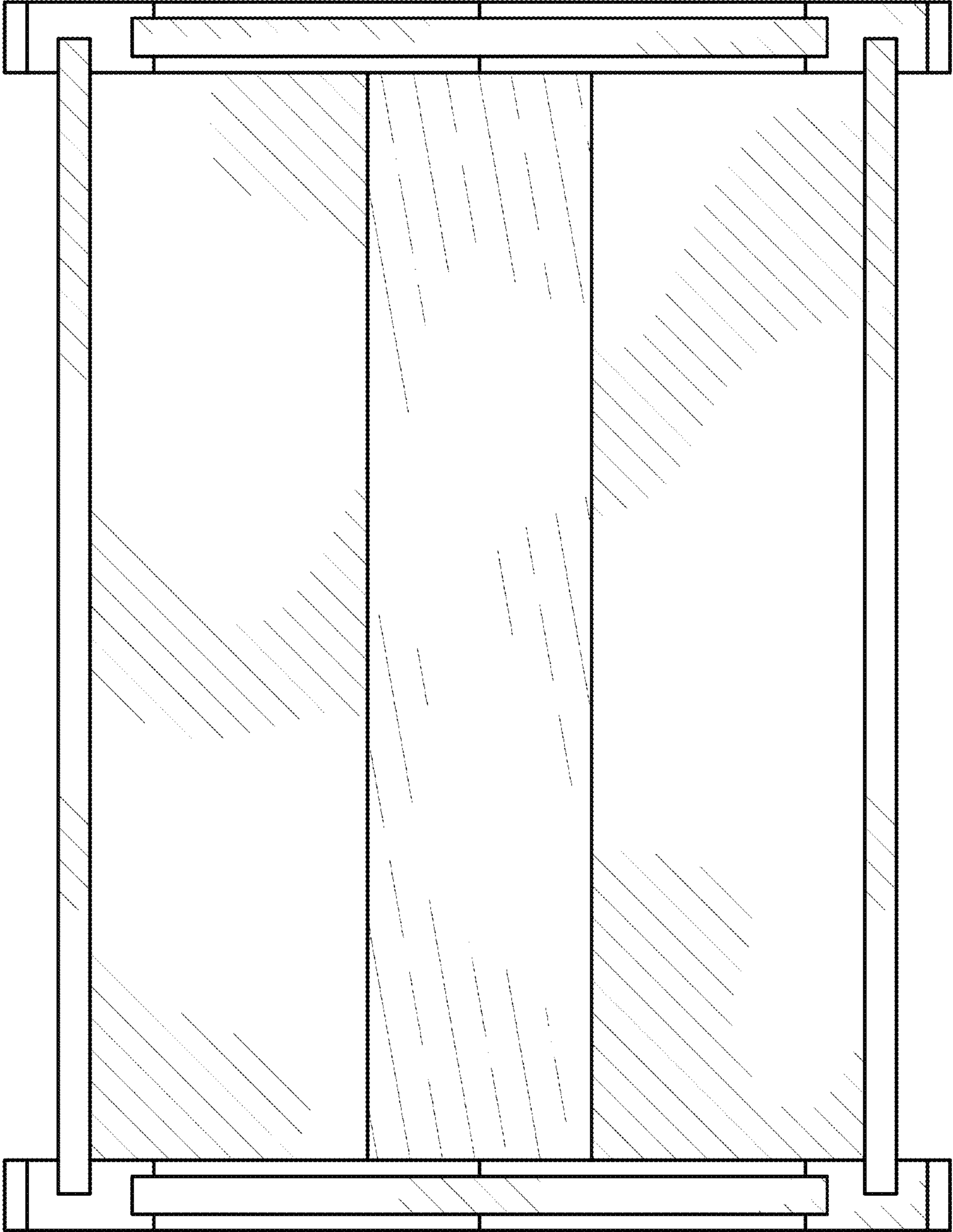


Figure 5

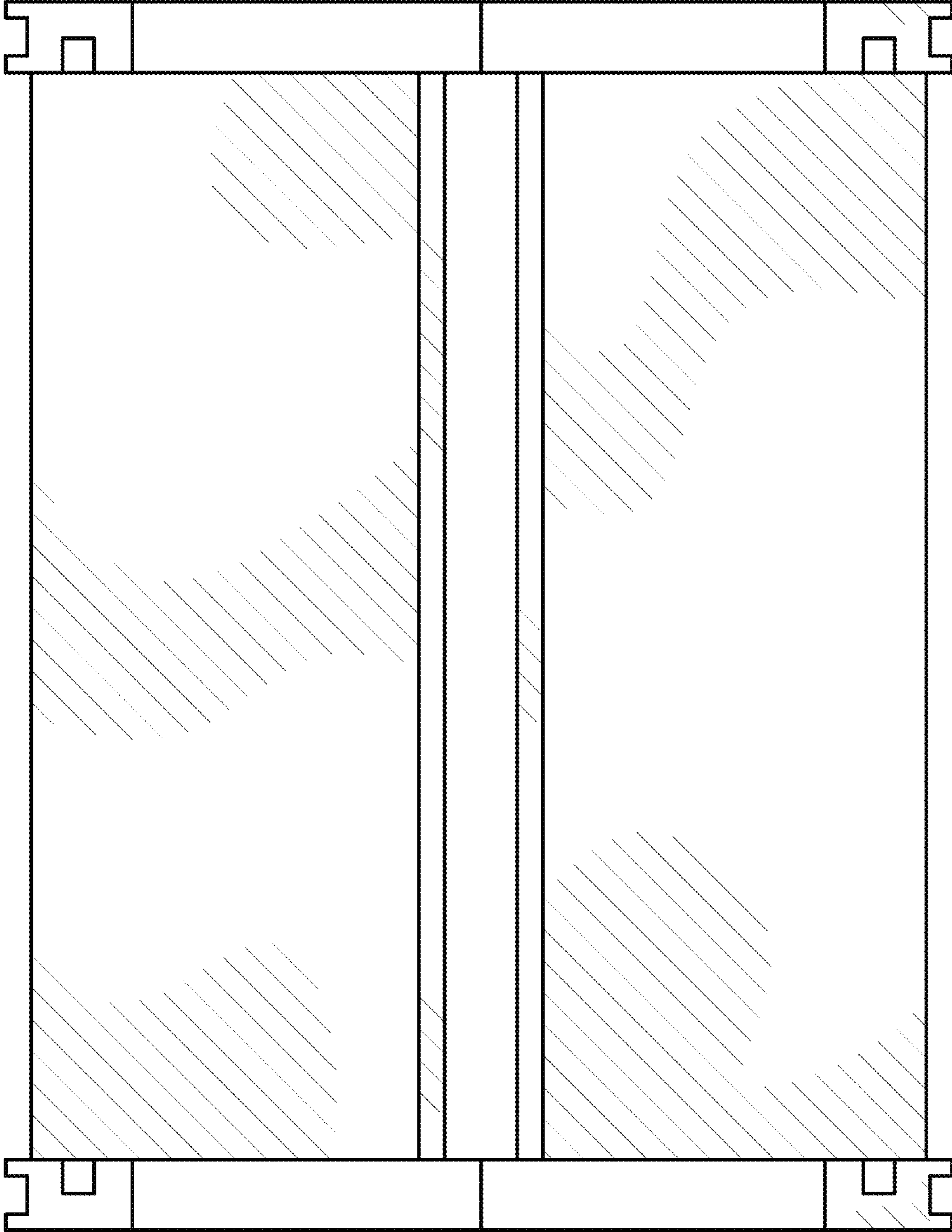


Figure 6