



US00D677012S

(12) **United States Design Patent**
Duvigneau

(10) **Patent No.:** **US D677,012 S**

(45) **Date of Patent:** **** Feb. 26, 2013**

(54) **COMBINED ANIMAL CARRIER AND LITTER BOX**

(75) Inventor: **Nikolai Duvigneau, Zichron Yaacov (IL)**

(73) Assignee: **Jardin Netherlands B.V., MK Rijen (NL)**

(**) Term: **14 Years**

(21) Appl. No.: **29/414,497**

(22) Filed: **Feb. 29, 2012**

(30) **Foreign Application Priority Data**

Aug. 31, 2011 (EM) 1910308

(51) **LOC (9) Cl.** **30-02**

(52) **U.S. Cl.** **D30/109; D30/161**

(58) **Field of Classification Search** D30/108–112,
D30/118, 161; D3/277, 280–281, 291, 306;
119/453, 474, 487, 495–501, 161–170; 217/122
See application file for complete search history.

(56) **References Cited**

U.S. PATENT DOCUMENTS

2,790,414	A *	4/1957	Rossov	119/497
3,885,523	A *	5/1975	Coleman	119/165
4,803,952	A *	2/1989	Houser	119/499
5,335,618	A *	8/1994	Zarola	119/498
5,471,950	A *	12/1995	White	119/497

5,678,509	A *	10/1997	Dillon	119/496
5,988,110	A *	11/1999	Peterson	119/453
6,338,318	B1 *	1/2002	Apichom	119/497
6,863,030	B2 *	3/2005	Axelrod	119/498
7,036,458	B1 *	5/2006	Stornant	119/496
D566,907	S *	4/2008	Barca	D30/109
7,458,337	B2 *	12/2008	Callan	119/165
D615,250	S *	5/2010	Temperino	D30/108
8,132,537	B2 *	3/2012	Trunnell et al.	119/496
2005/0284405	A1 *	12/2005	Pomakoy-Poole et al.	...	119/497

* cited by examiner

Primary Examiner — Cathy A MacCormac

(74) *Attorney, Agent, or Firm* — Vorys, Sater, Seymour and Pease LLP; Susanne M. Hopkins; William L. Klima

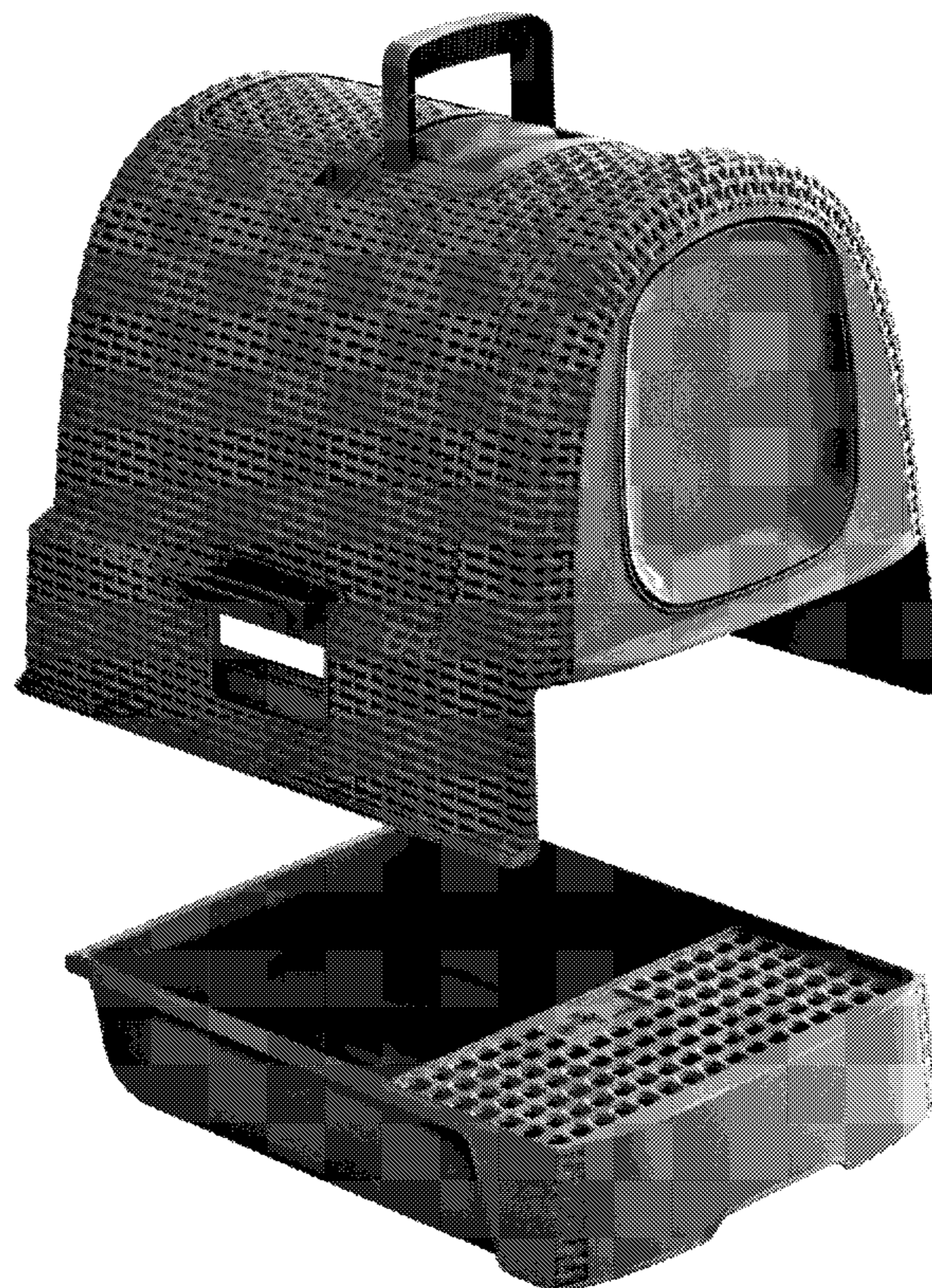
(57) **CLAIM**

The ornamental design for a combined animal carrier and litter box, as shown and described.

DESCRIPTION

FIG. 1 is a front perspective view of a combined pet carrier and litter box;
FIG. 2 is a front elevational view thereof;
FIG. 3 is a rear view thereof;
FIG. 4 is a left-side elevational view thereof; the right-side being a mirror image of the left side;
FIG. 5 is a top plan view thereof; and,
FIG. 6 is an exploded front perspective view thereof with the handle and latch in raised positions.

1 Claim, 6 Drawing Sheets



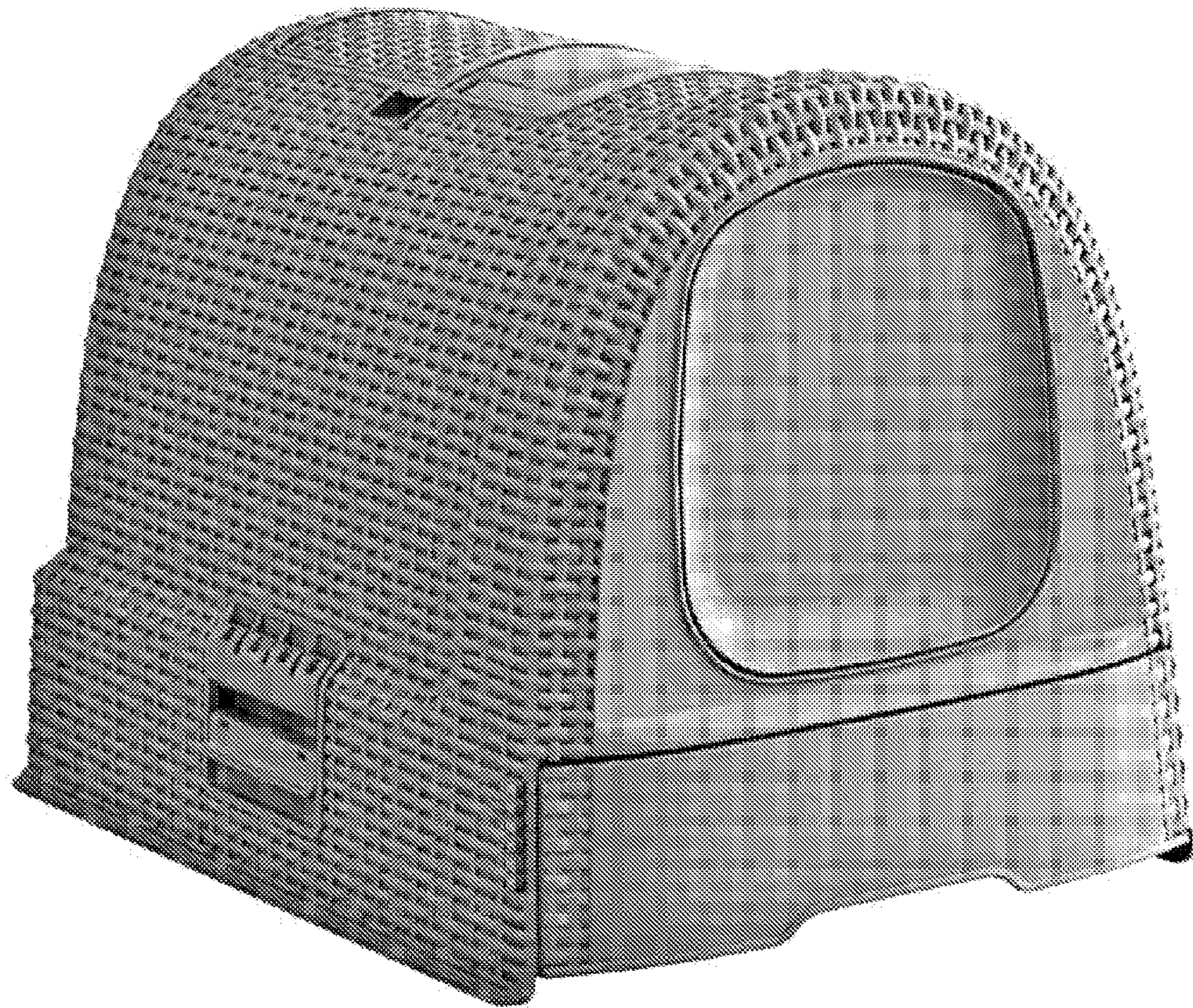


FIG. 1

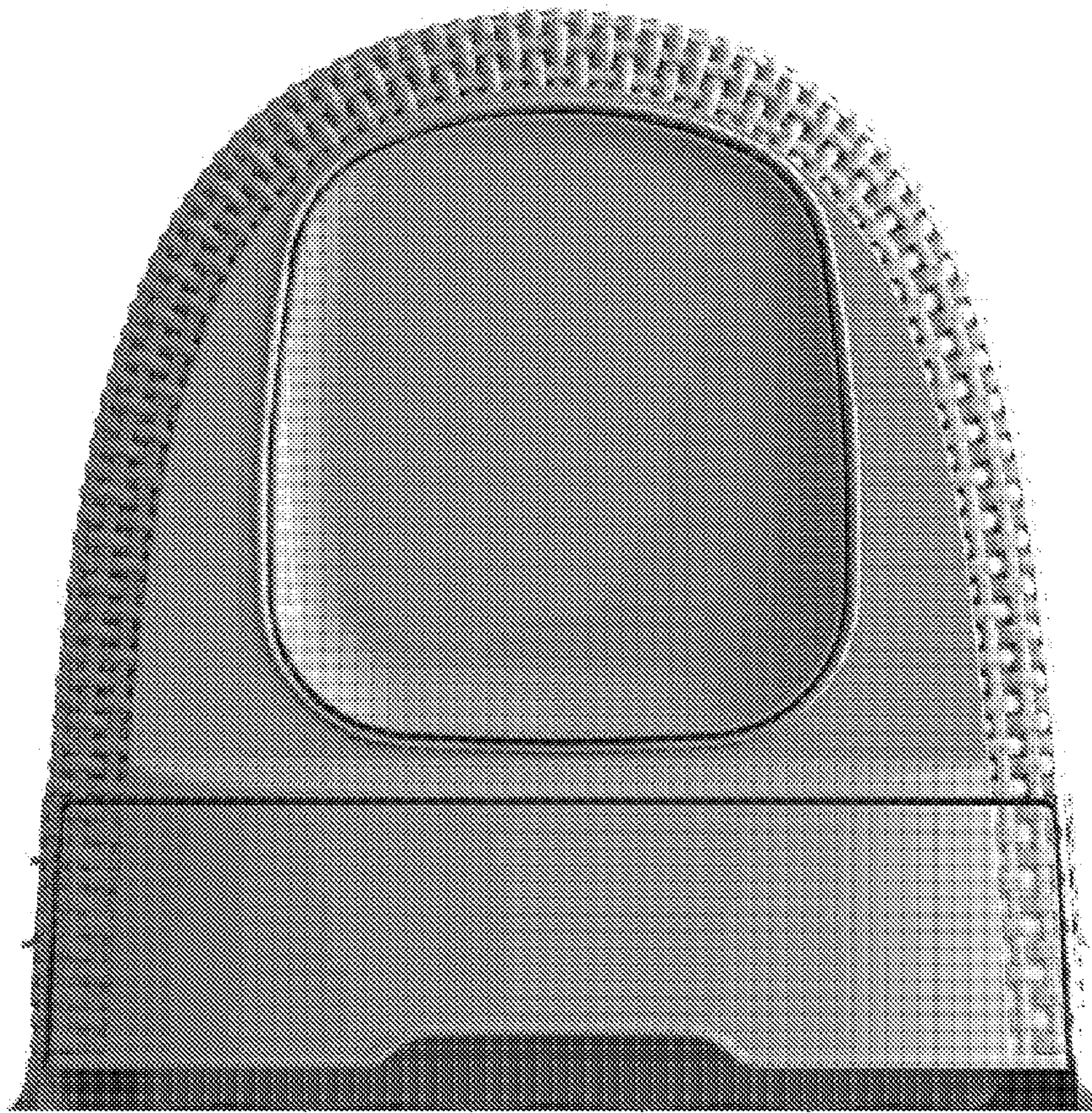


FIG. 2

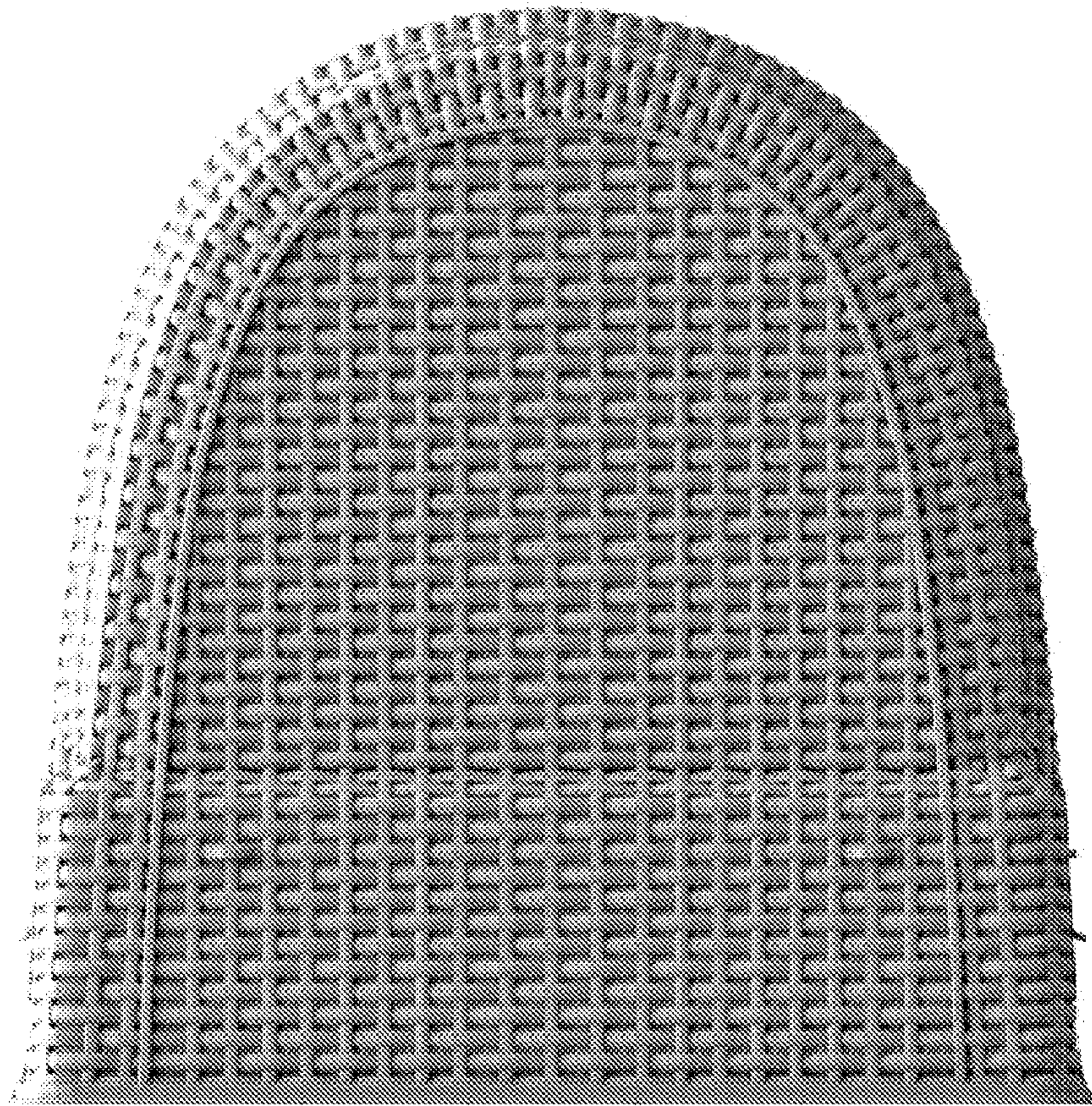


FIG. 3

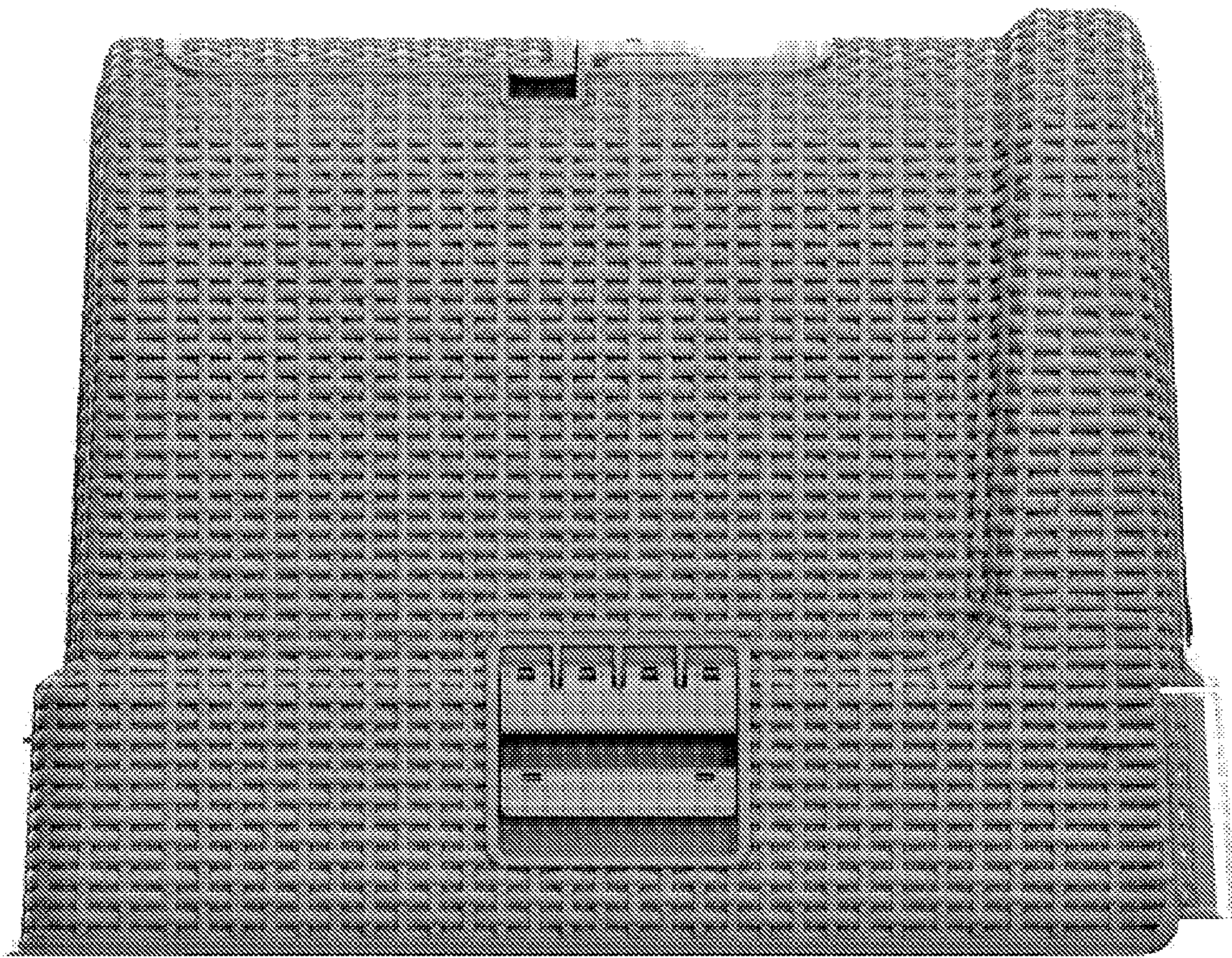


FIG. 4

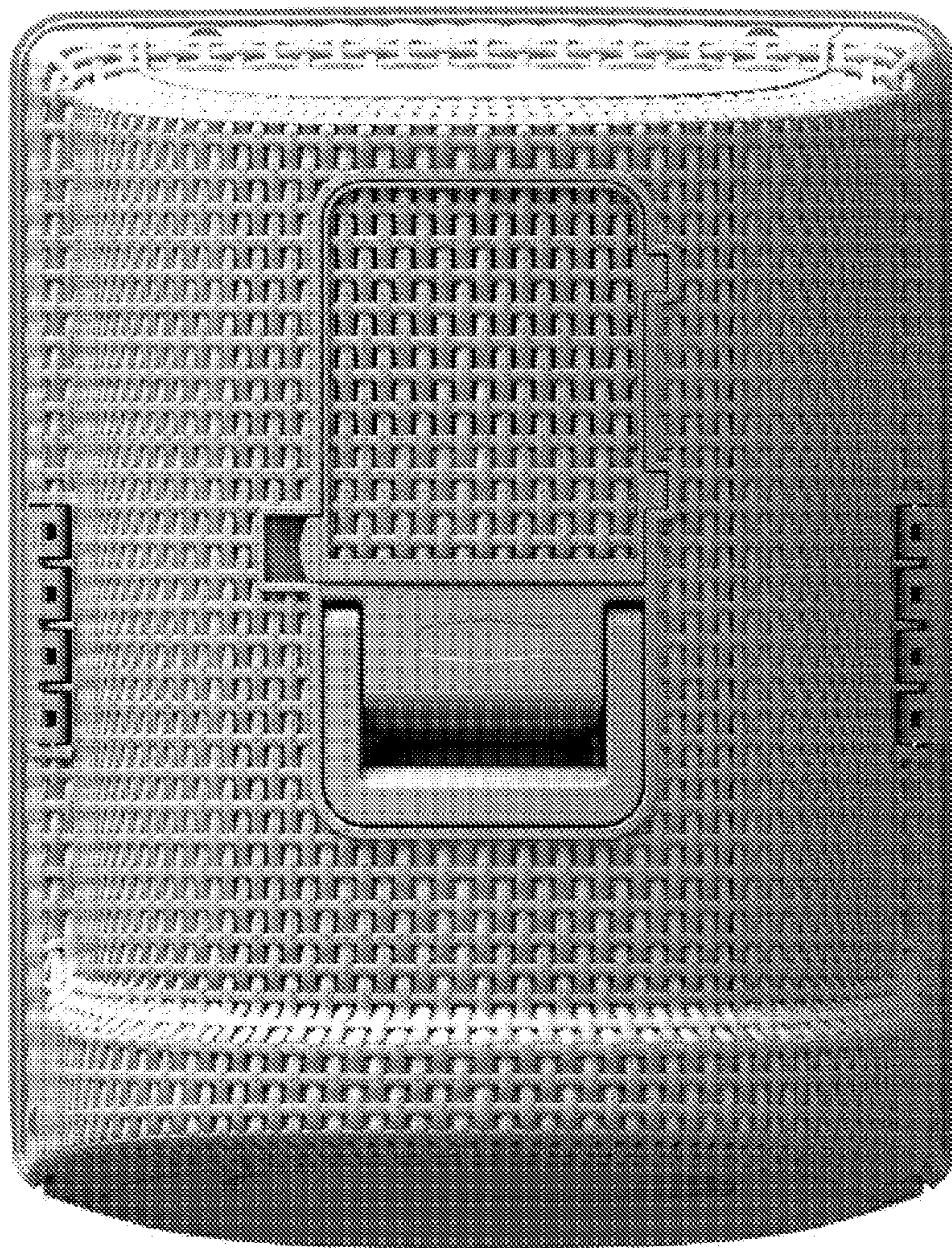


FIG. 5

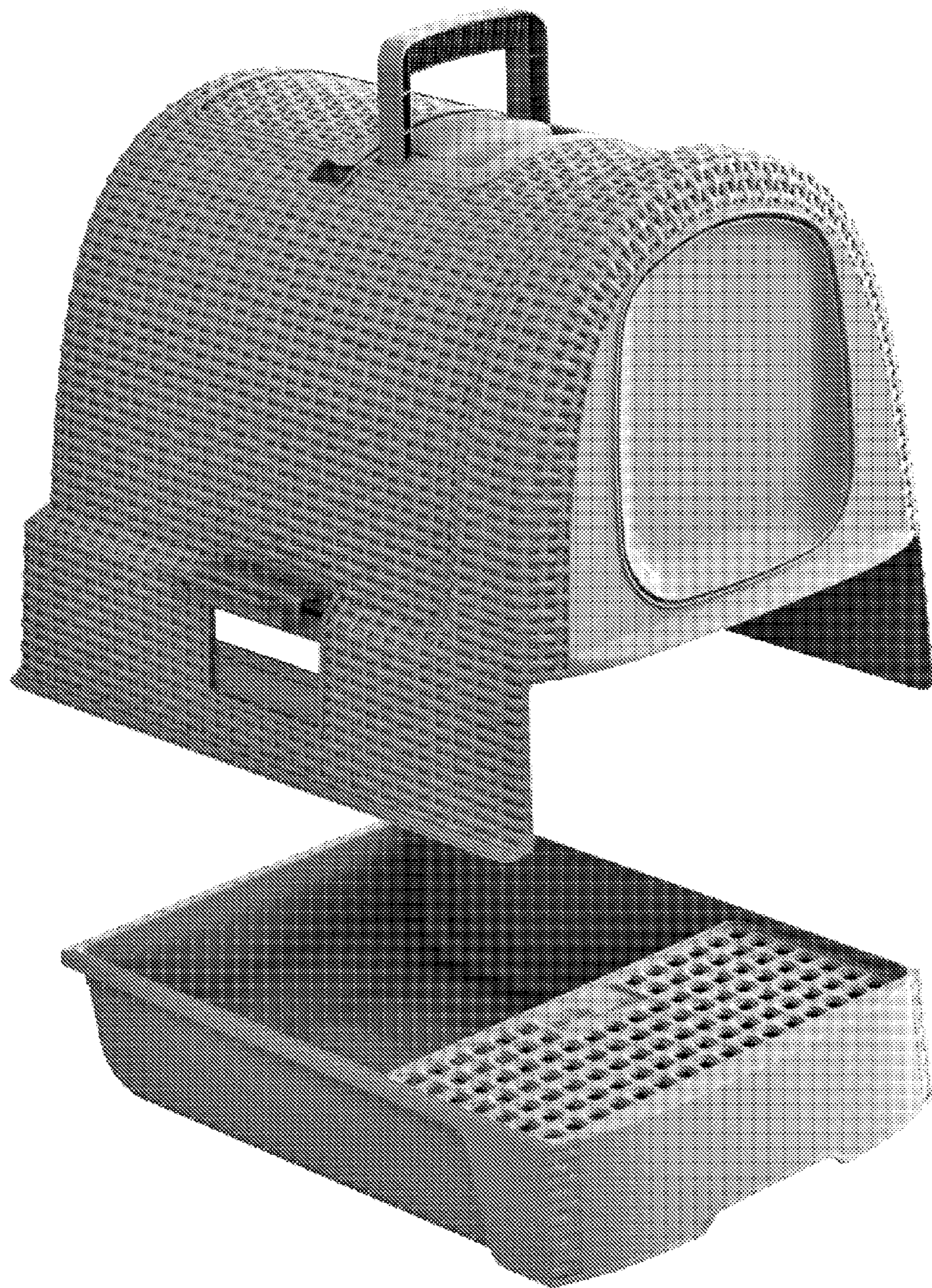


FIG. 6