



US00D677007S

(12) **United States Design Patent**  
**Bancroft**

(10) **Patent No.:** **US D677,007 S**

(45) **Date of Patent:** **\*\* Feb. 26, 2013**

(54) **MOUTHGUARD WITH RELIEF PATTERN**

(75) **Inventor:** **James Bancroft**, Englewood Cliffs, NJ  
(US)

(73) **Assignee:** **Total Gard Corporation**, Teaneck, NJ  
(US)

(\*\*) **Term:** **14 Years**

(21) **Appl. No.:** **29/376,917**

(22) **Filed:** **Oct. 14, 2010**

(51) **LOC (9) Cl.** ..... **29-02**

(52) **U.S. Cl.** ..... **D29/108**

(58) **Field of Classification Search** ..... D29/100,  
D29/108, 111, 122; D24/108-110.5, 181;  
128/859, 860, 861, 862, 846, 857, 848; 602/902;  
433/6, 18, 24, 168.1; 2/9, 424, 425  
See application file for complete search history.

(56) **References Cited**

**U.S. PATENT DOCUMENTS**

D212,848	S	*	12/1968	Westlund	.....	D24/181
4,044,762	A		8/1977	Jacobs		
4,791,941	A	*	12/1988	Schaefer	.....	128/861
4,977,905	A	*	12/1990	Kittelsen et al.	.....	128/861
5,117,816	A	*	6/1992	Shapiro et al.	.....	128/200.24
5,566,684	A		10/1996	Wagner		
6,109,266	A		8/2000	Turchetti		
6,584,978	B1	*	7/2003	Brett et al.	.....	128/859
D492,785	S	*	7/2004	Garabito	.....	D24/181
6,830,051	B1	*	12/2004	Lesniak et al.	.....	128/859
D504,744	S	*	5/2005	Hidalgo et al.	.....	D29/108
D523,994	S	*	6/2006	Manzo	.....	D29/108
D525,749	S	*	7/2006	Manzo et al.	.....	D29/108
D526,093	S	*	8/2006	Manzo et al.	.....	D29/108

D527,848	S	*	9/2006	Manzo et al.	.....	D29/108
D530,425	S	*	10/2006	Carlson	.....	D24/181
D537,987	S	*	3/2007	Manzo et al.	.....	D29/108
D548,402	S	*	8/2007	Trodick	.....	D29/108
D593,714	S	*	6/2009	Hirshberg	.....	D29/108
D594,125	S	*	6/2009	Lesniak	.....	D24/181
7,658,193	B2	*	2/2010	Lesniak	.....	128/862
D636,074	S	*	4/2011	Levine	.....	D24/110.5
D663,485	S	*	7/2012	Turkbas et al.	.....	D29/108
D663,486	S	*	7/2012	Turkbas et al.	.....	D29/108
2009/0159089	A1		6/2009	Jansheski		
2010/0051038	A1	*	3/2010	Quigless	.....	128/861

\* cited by examiner

*Primary Examiner* — Elizabeth J Oswecki

(74) *Attorney, Agent, or Firm* — Notaro, Michalos & Zaccaria P.C.

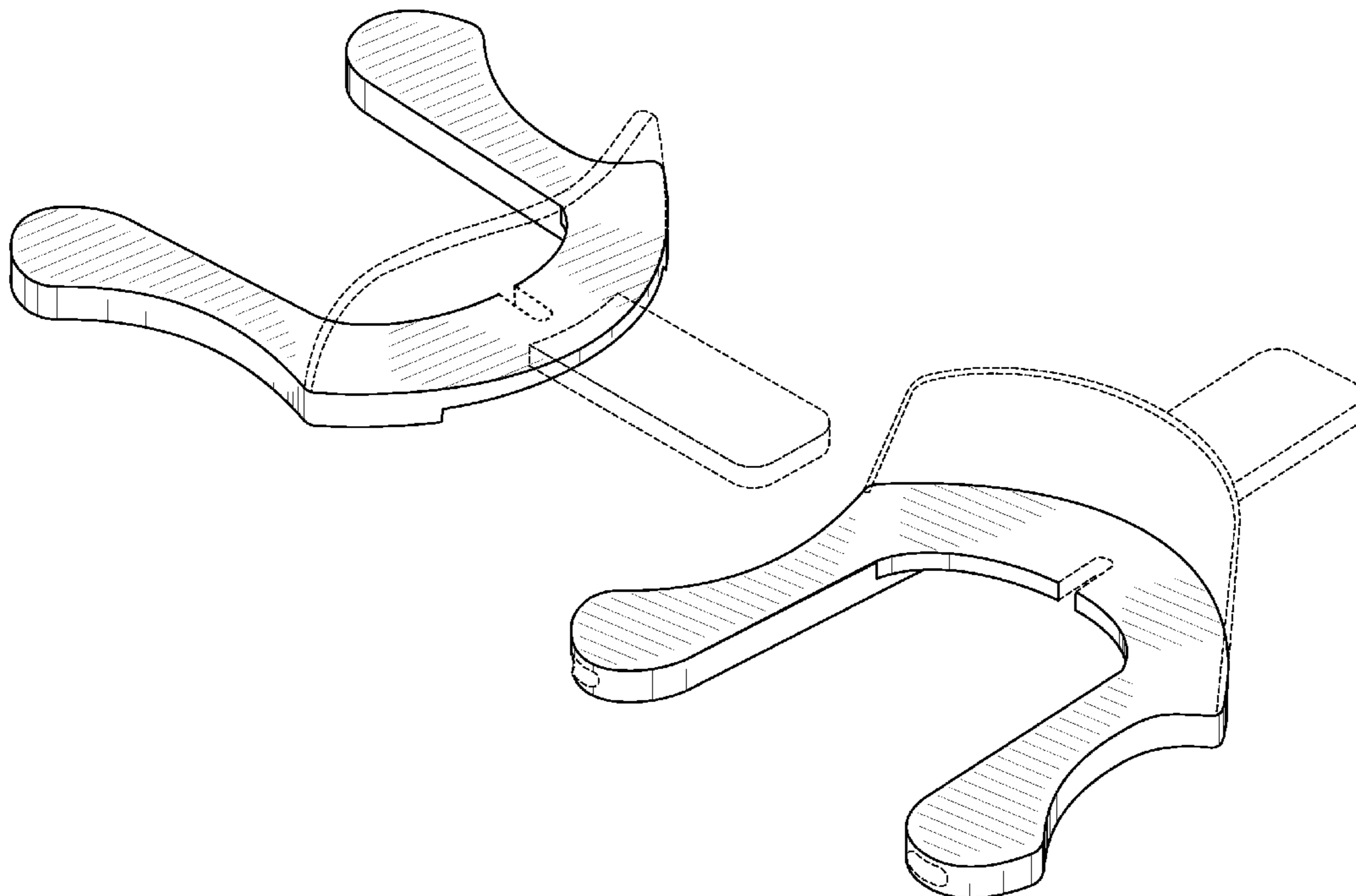
(57) **CLAIM**

The ornamental design for a mouthguard with relief pattern, as shown and described.

**DESCRIPTION**

FIG. 1 is a front perspective view of a mouthguard with relief pattern showing my new design;  
FIG. 2 is a rear perspective view thereof;  
FIG. 3 is a front elevational view thereof;  
FIG. 4 is a rear elevational view thereof;  
FIG. 5 is a top plan view thereof;  
FIG. 6 is a bottom plan view thereof;  
FIG. 7 is a right side elevational view thereof; and,  
FIG. 8 is a left side elevational view thereof.  
The broken lines shown in the drawings represent portions of the mouthguard with relief pattern that form no part of the claimed design.

**1 Claim, 5 Drawing Sheets**



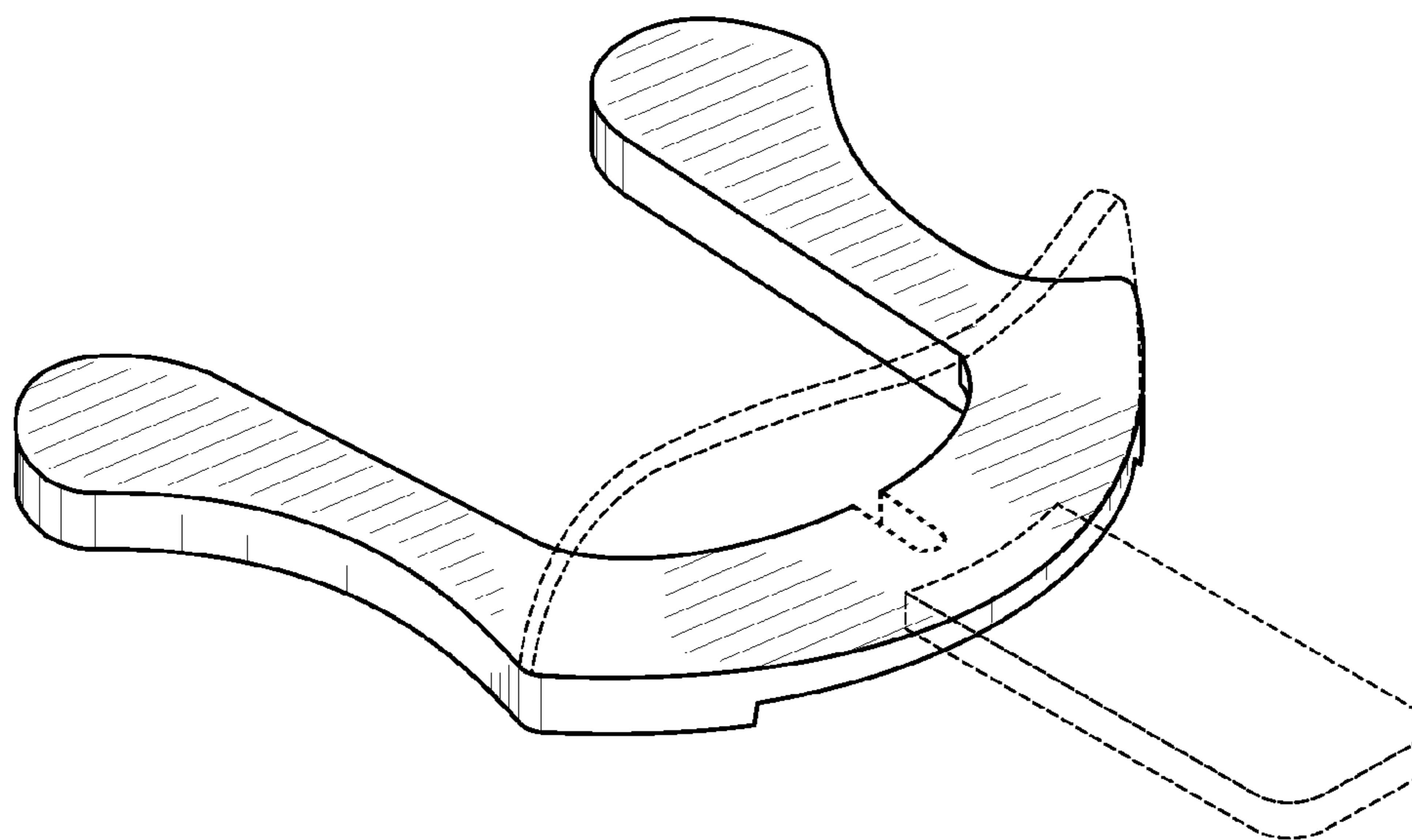


FIG. 1

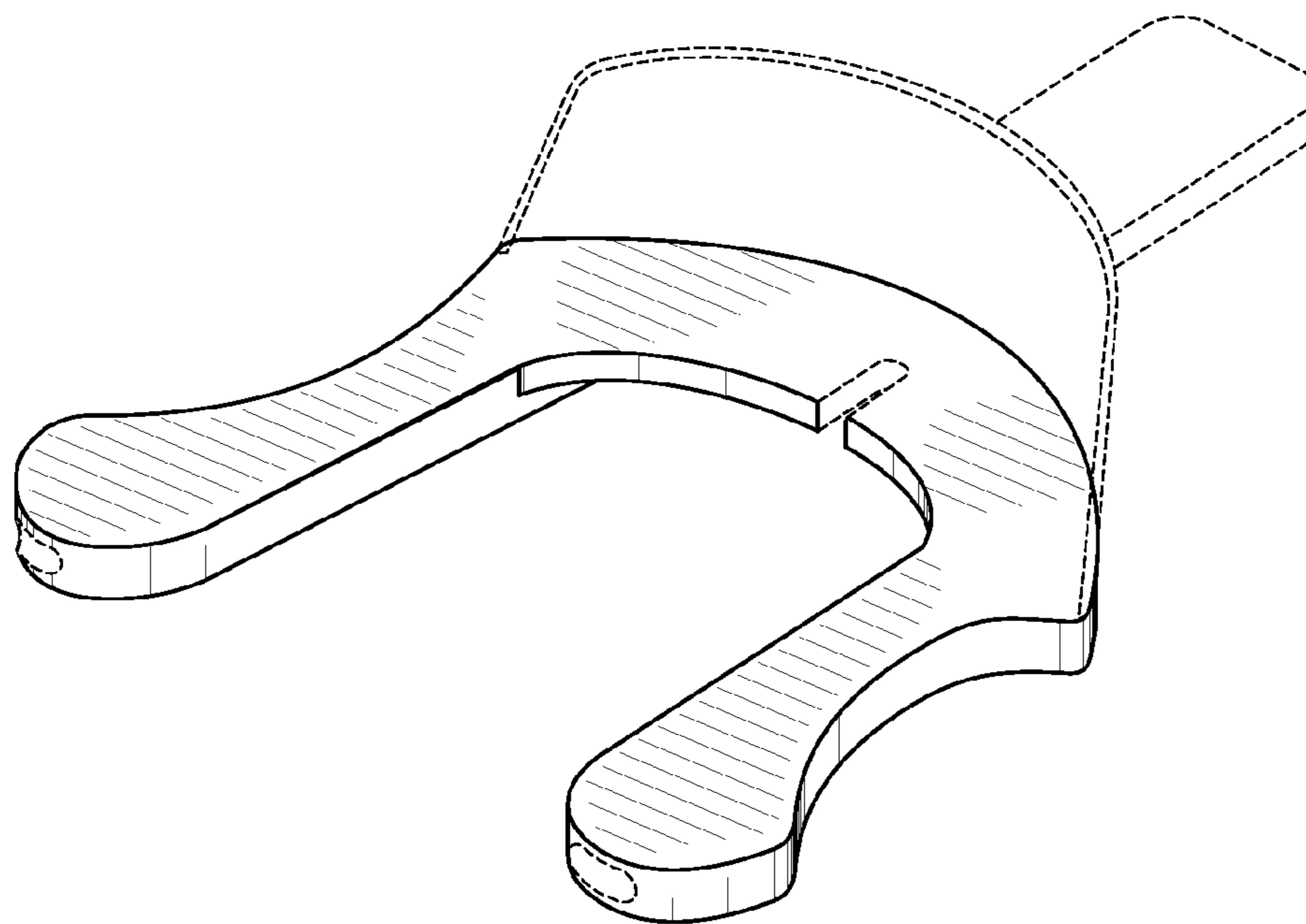


FIG. 2

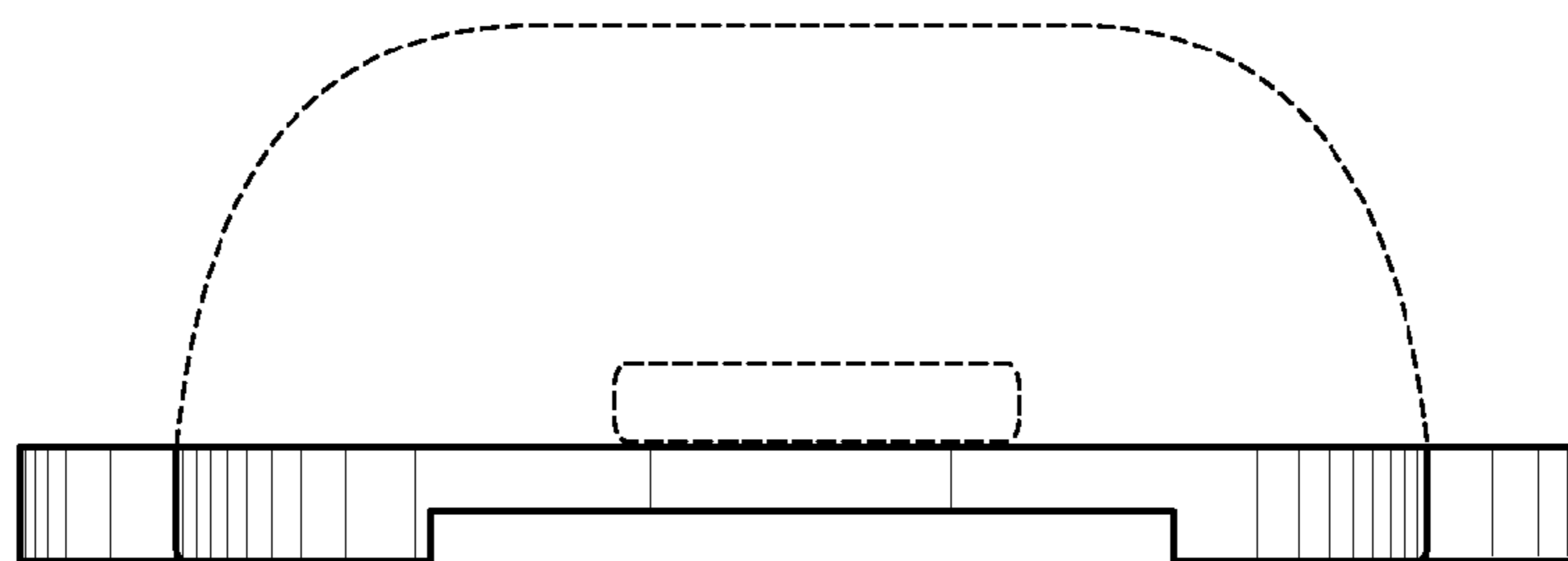


FIG. 3

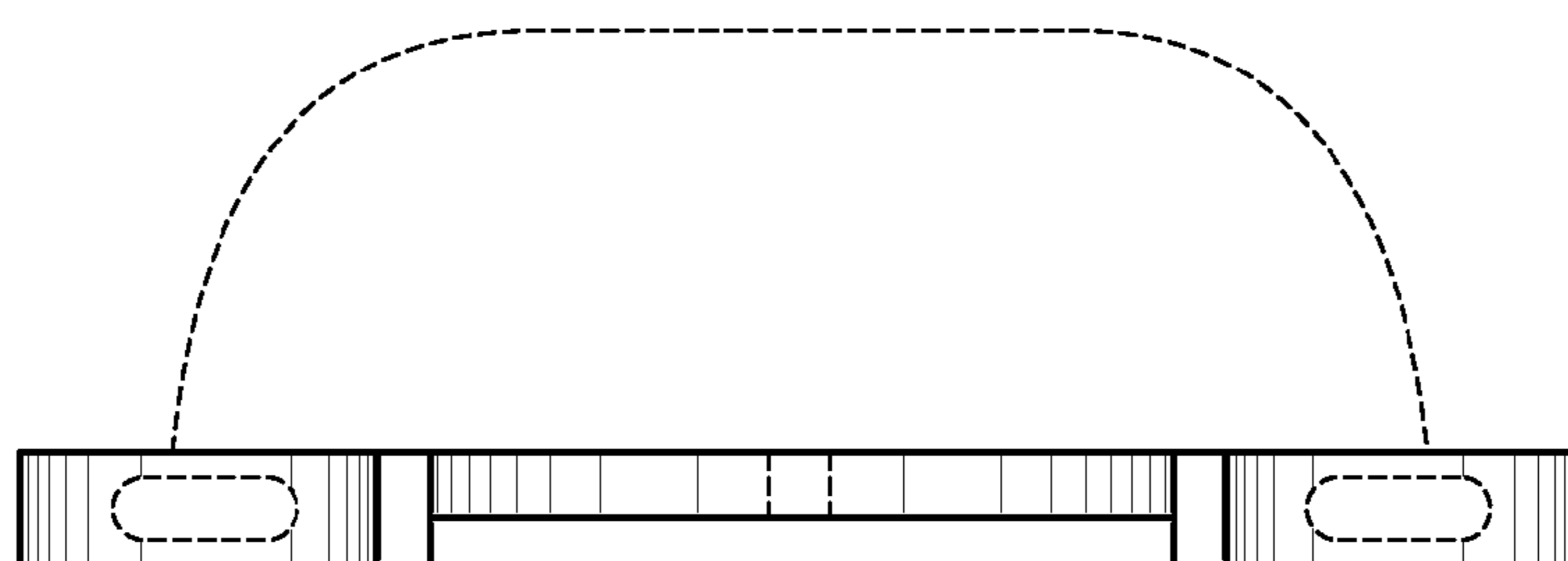


FIG. 4

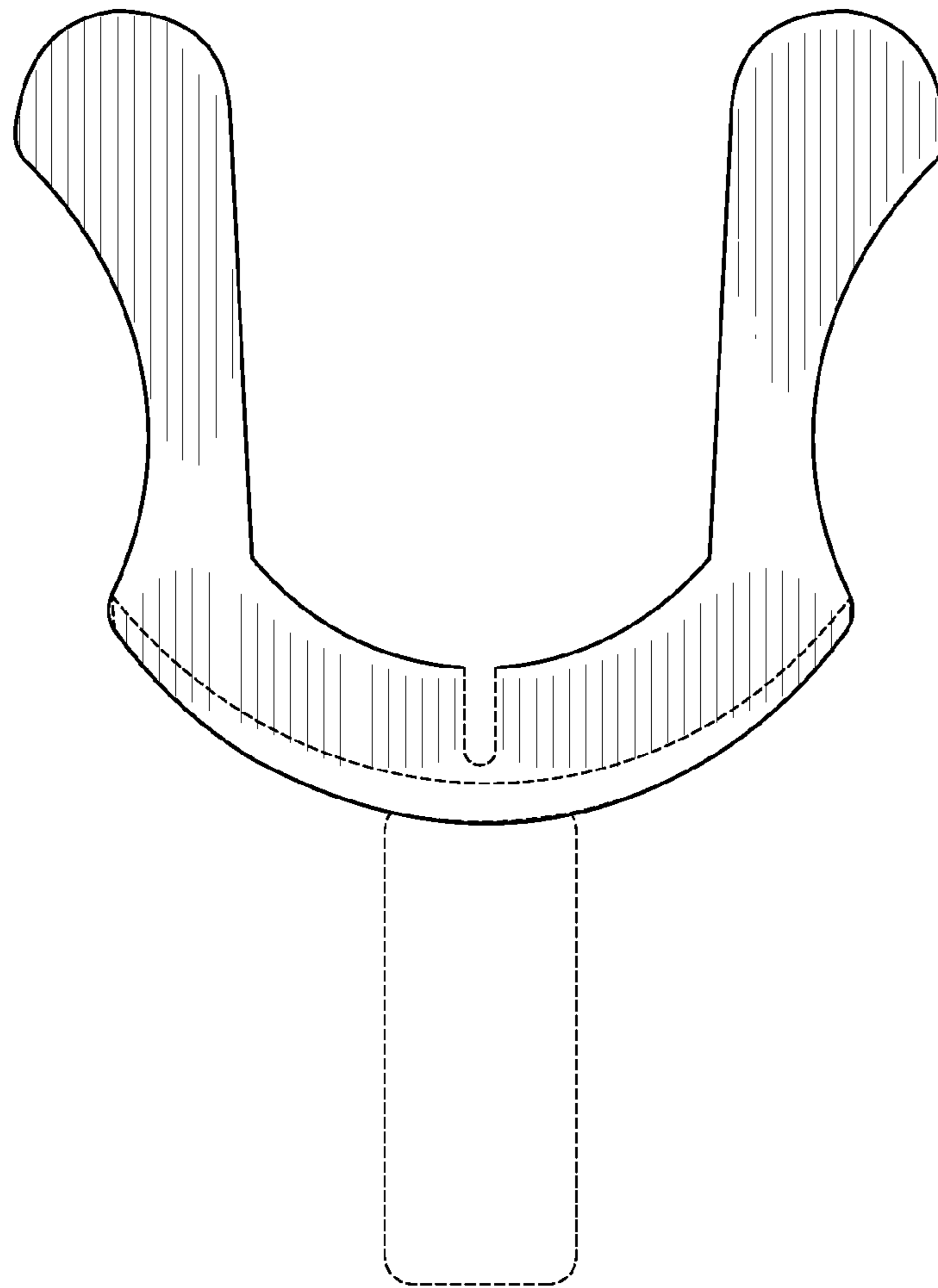


FIG. 5

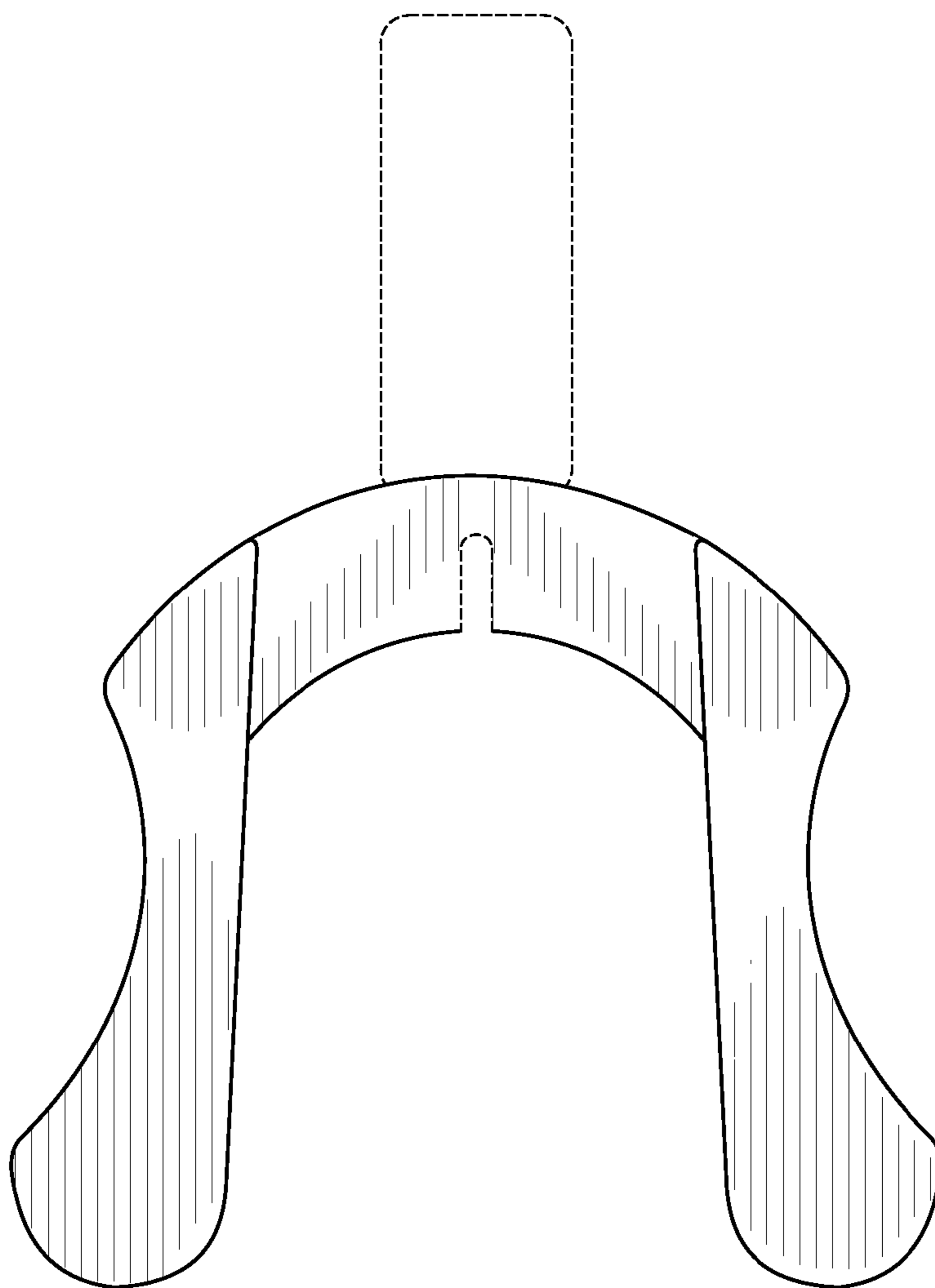


FIG. 6

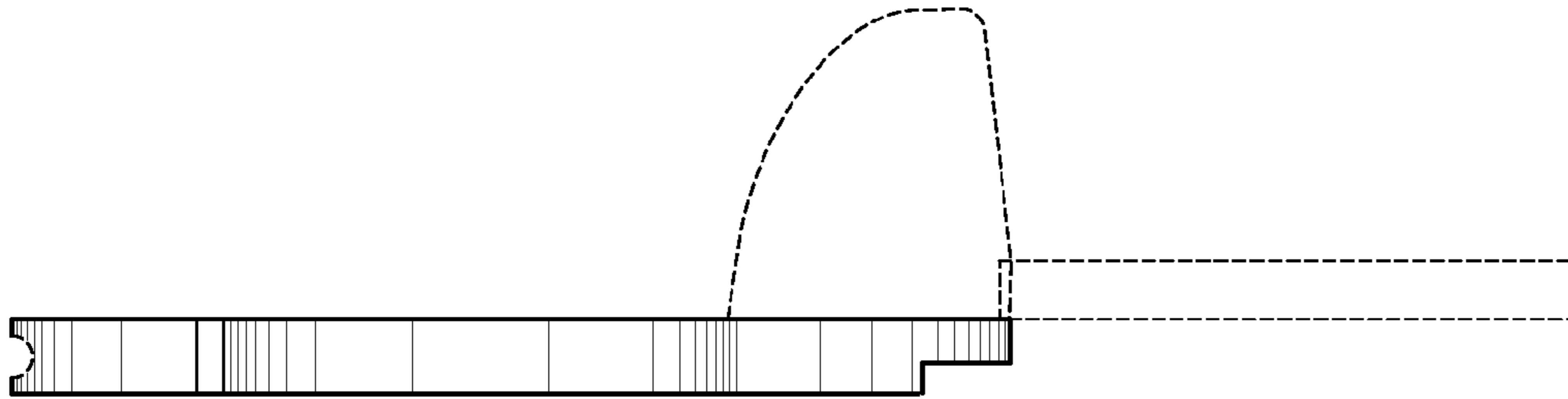


FIG. 7

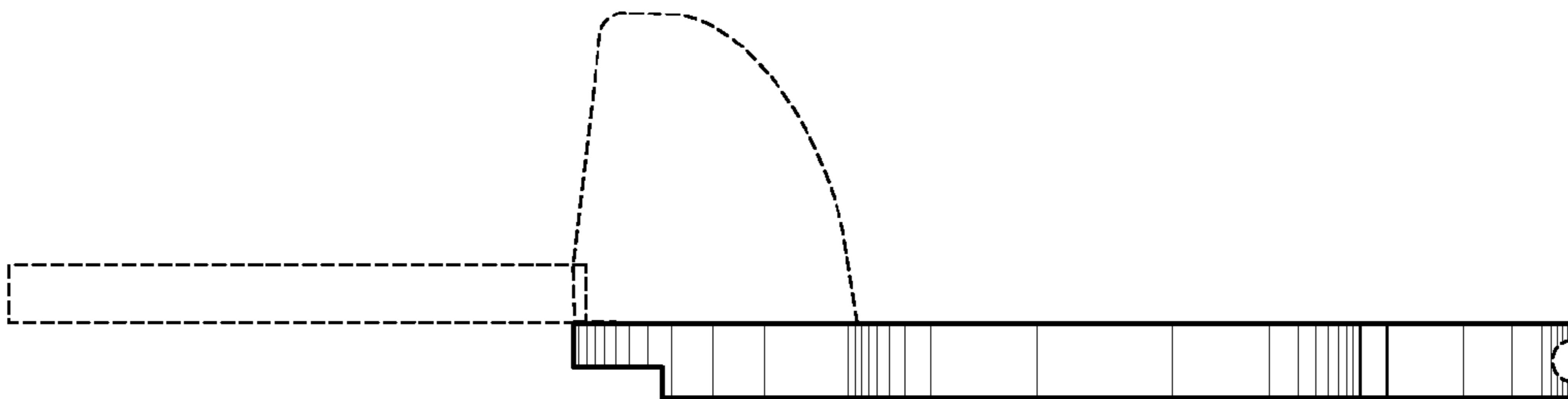


FIG. 8