



US00D677000S

(12) **United States Design Patent**
Liu

(10) **Patent No.:** **US D677,000 S**

(45) **Date of Patent:** **** Feb. 26, 2013**

(54) **CHARGING ELECTRONIC CIGARETTE CASE**

(76) Inventor: **Qiuming Liu**, Shenzhen (CN)

(**) Term: **14 Years**

(21) Appl. No.: **29/426,142**

(22) Filed: **Jun. 29, 2012**

(51) **LOC (9) Cl.** **27-06**

(52) **U.S. Cl.** **D27/189**

(58) **Field of Classification Search** D27/106,
D27/136, 133, 134, 135, 102, 103, 104, 105,
D27/137, 161, 163, 160, 166, 167, 168, 181,
D27/183, 162, 169, 180, 165, 164, 182, 184,
D27/185, 186, 187, 188, 189, 190; 131/235.1,
131/241, 248, 231, 240.1, 236, 256, 175,
131/173; D9/432, 423; 248/230.8; 431/146,
431/254, 252, 277, 255, 153, 356

See application file for complete search history.

(56) **References Cited**

U.S. PATENT DOCUMENTS

D249,870 S * 10/1978 Tillander D9/607
D309,957 S * 8/1990 Nitta D27/148
D347,082 S * 5/1994 Ichikawa D27/154
D472,013 S * 3/2003 Conti et al. D27/189
D582,264 S * 12/2008 Snyder D9/423

D609,398 S * 2/2010 Hearn D27/189
D613,903 S * 4/2010 Wu D27/189
D613,904 S * 4/2010 Wu D27/189
D636,931 S * 4/2011 de The et al. D27/189
D636,932 S * 4/2011 de The et al. D27/189
D653,535 S * 2/2012 Tearle D9/423
D656,094 S * 3/2012 Wu D13/108
D671,677 S * 11/2012 Wu D27/189
D671,678 S * 11/2012 Wu D27/189
2003/0106928 A1 * 6/2003 Li Vigni et al. 229/146

* cited by examiner

Primary Examiner — Kevin Rudzinski

(74) *Attorney, Agent, or Firm* — Cheng-Ju Chiang

(57) **CLAIM**

The ornamental design for a “charging electronic cigarette case,” as shown and described.

DESCRIPTION

FIG. 1 is a front, top and left side perspective view of a charging electronic cigarette case showing my new design; FIG. 2 is a rear, bottom and right side perspective view thereof;

FIG. 3 is a front elevational view thereof;

FIG. 4 is a rear elevational view thereof;

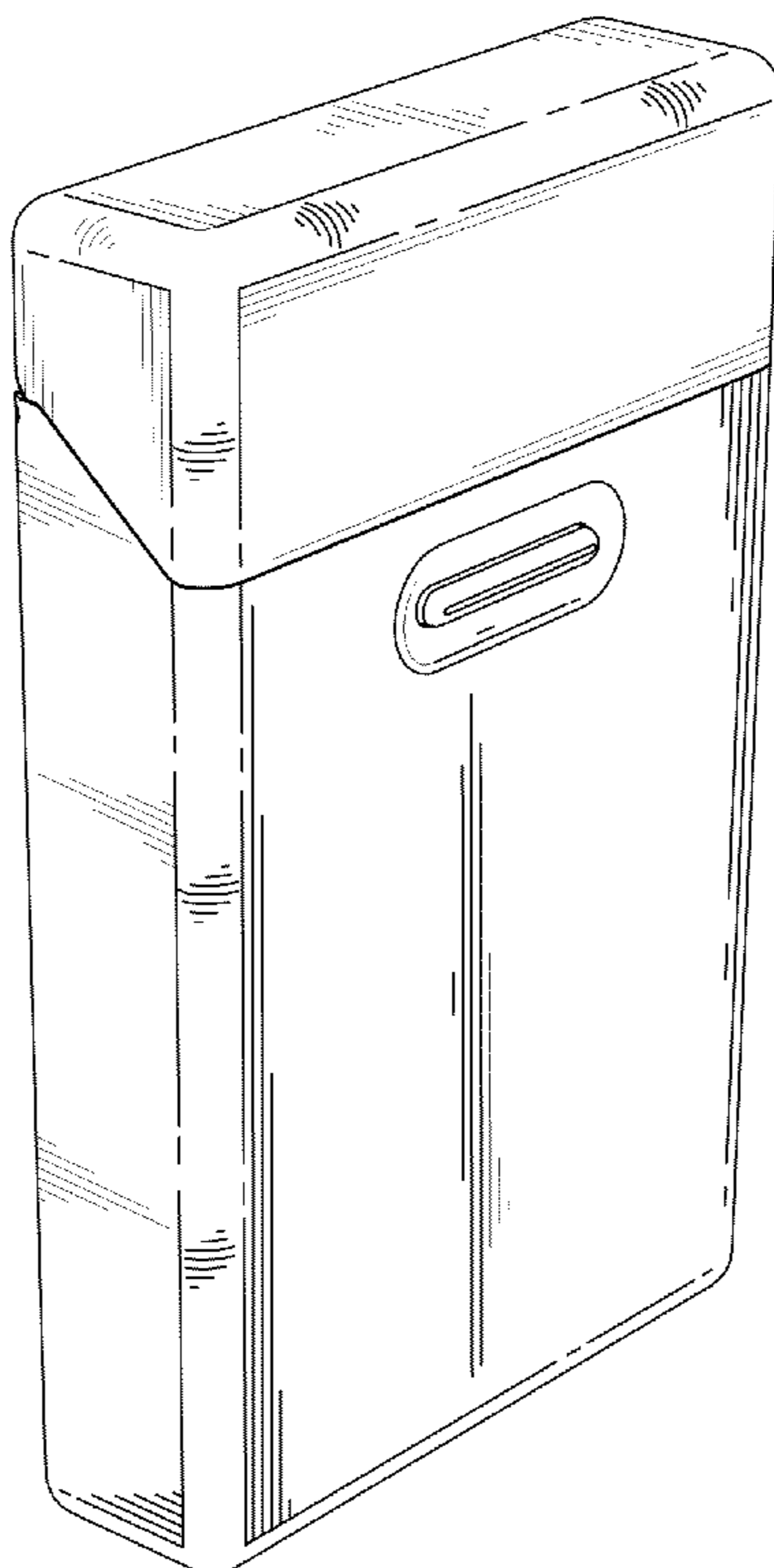
FIG. 5 is a left side elevational view thereof;

FIG. 6 is a right side elevational view thereof;

FIG. 7 is a top plan view thereof; and,

FIG. 8 is a bottom plan view thereof.

1 Claim, 8 Drawing Sheets



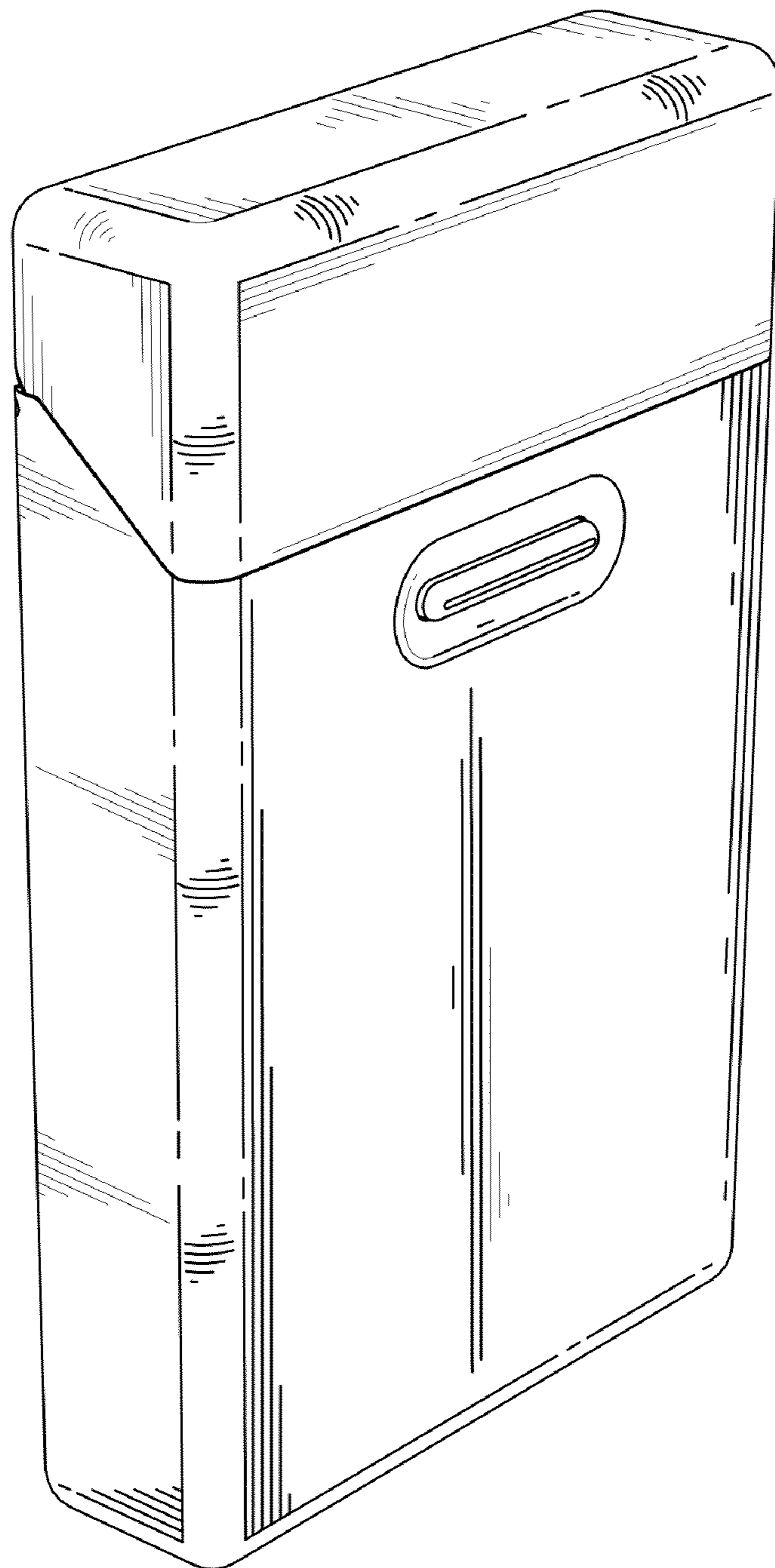


FIG. 1

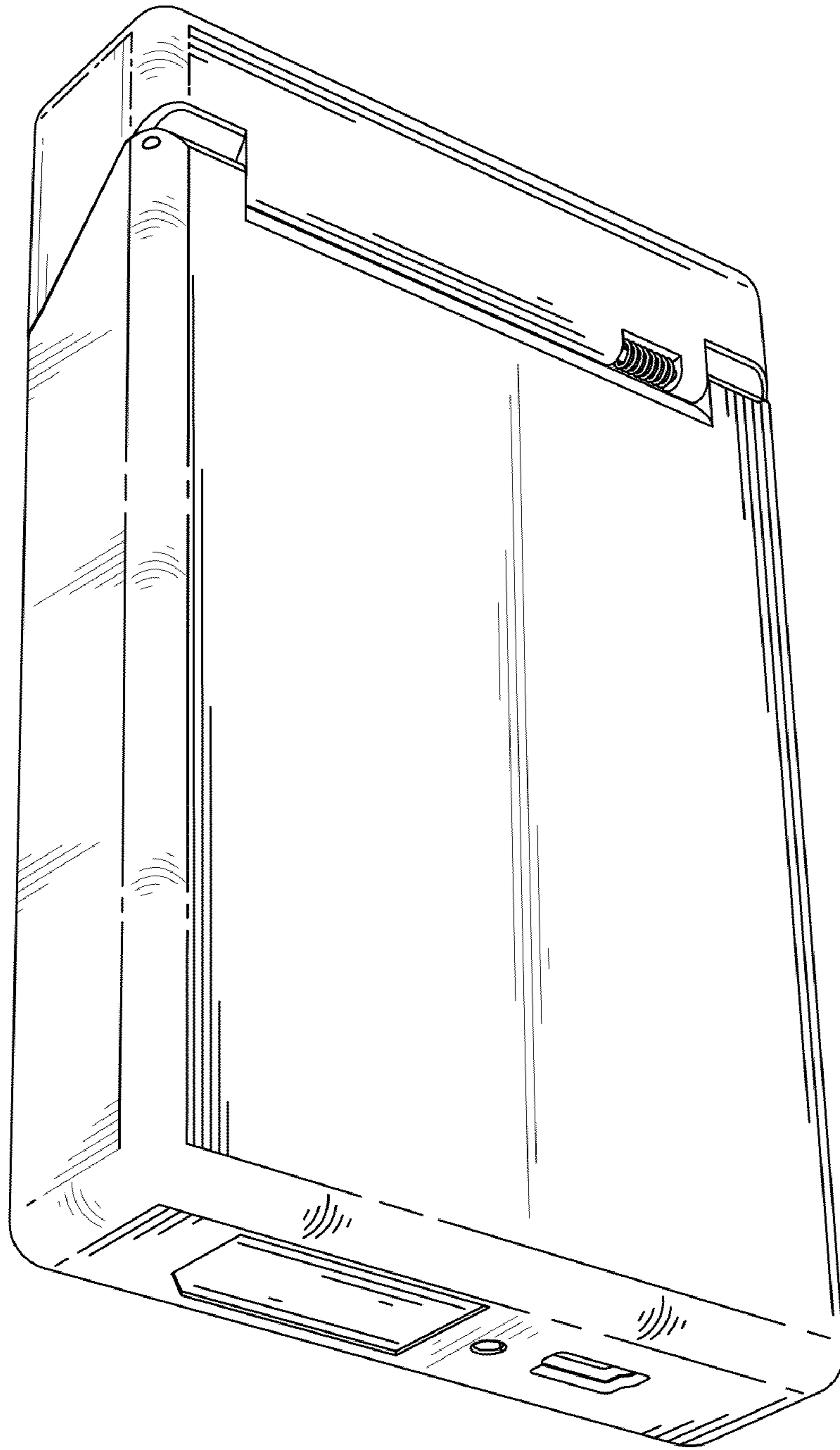


FIG. 2

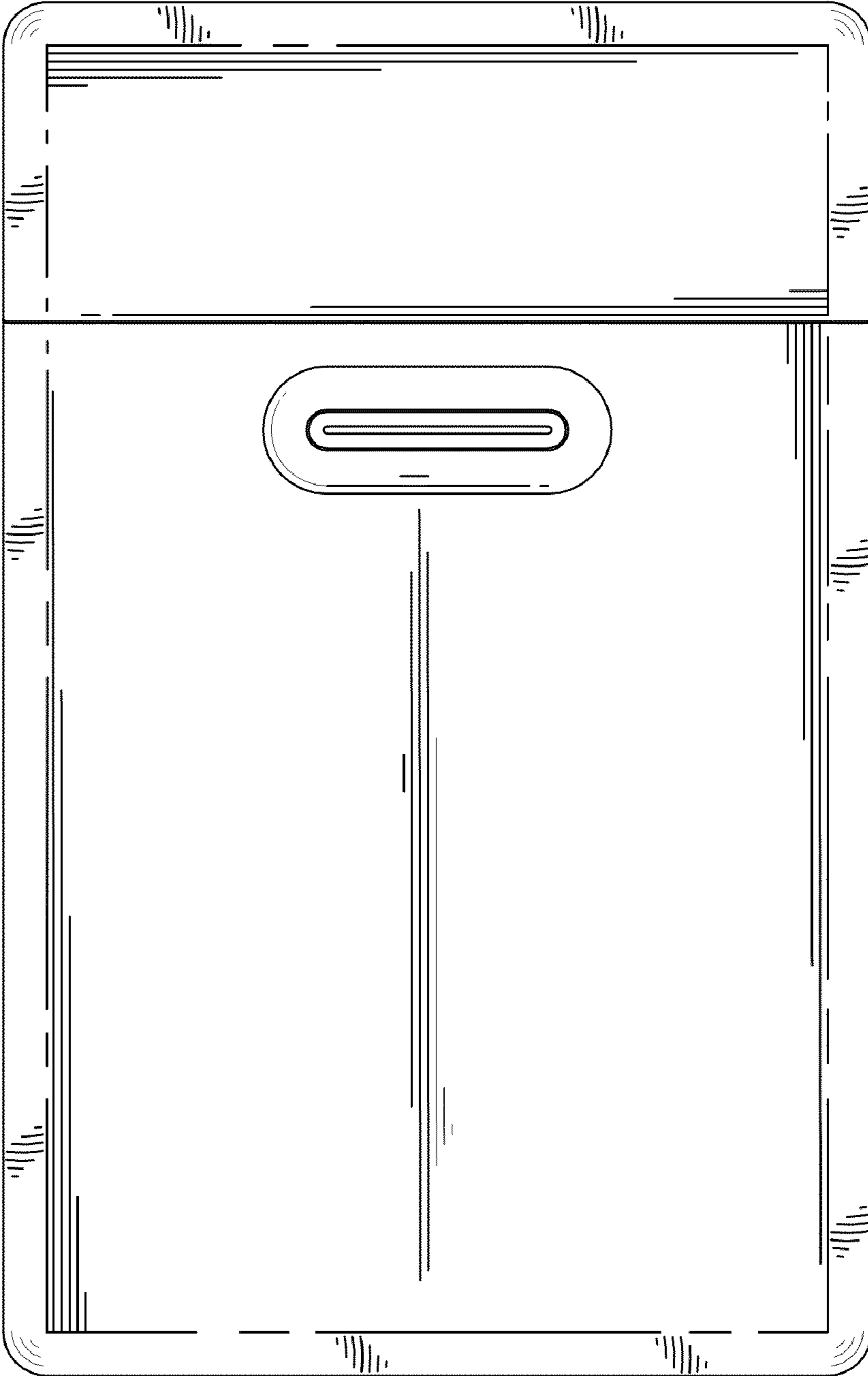


FIG. 3

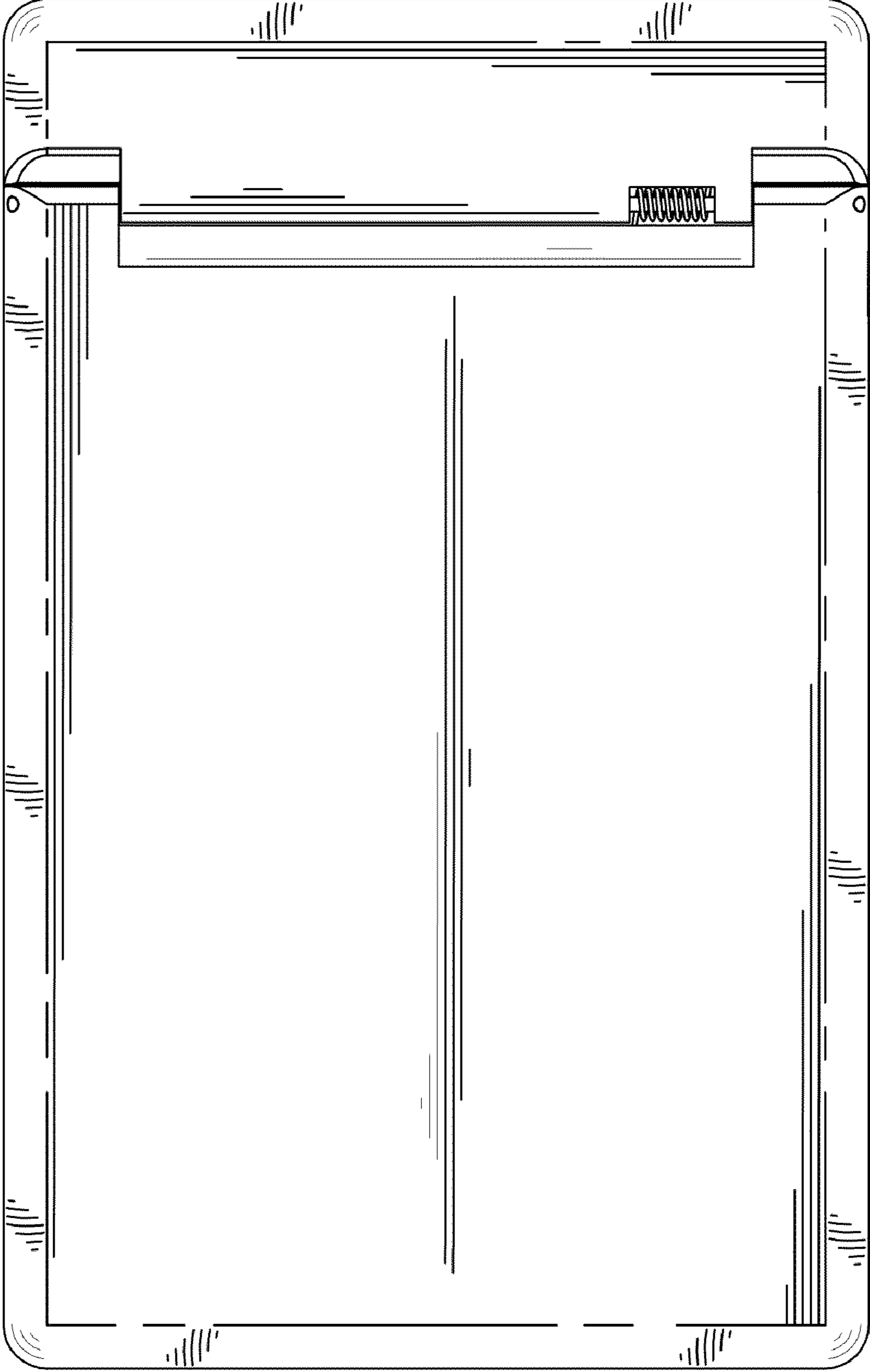


FIG. 4

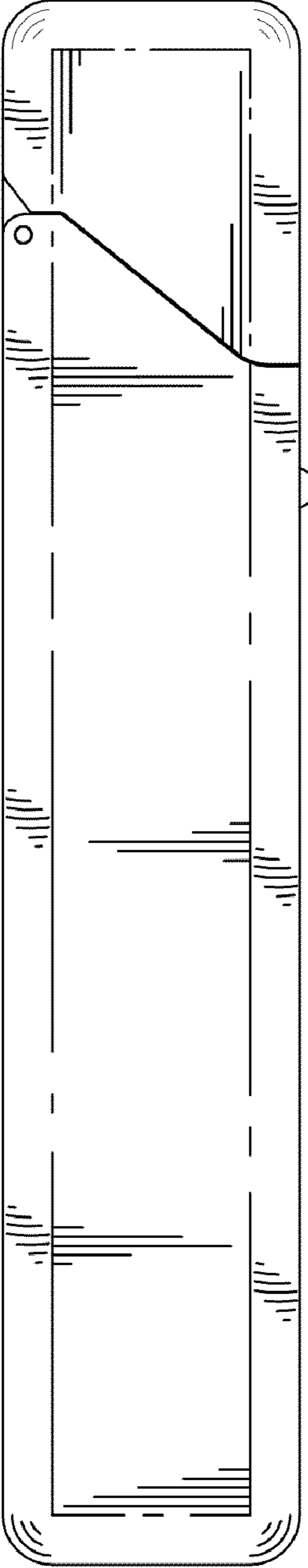


FIG. 5

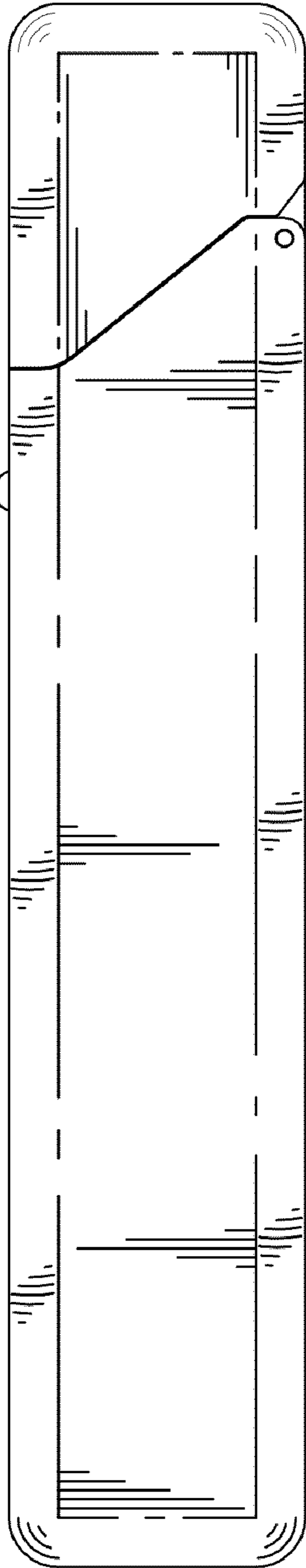


FIG. 6

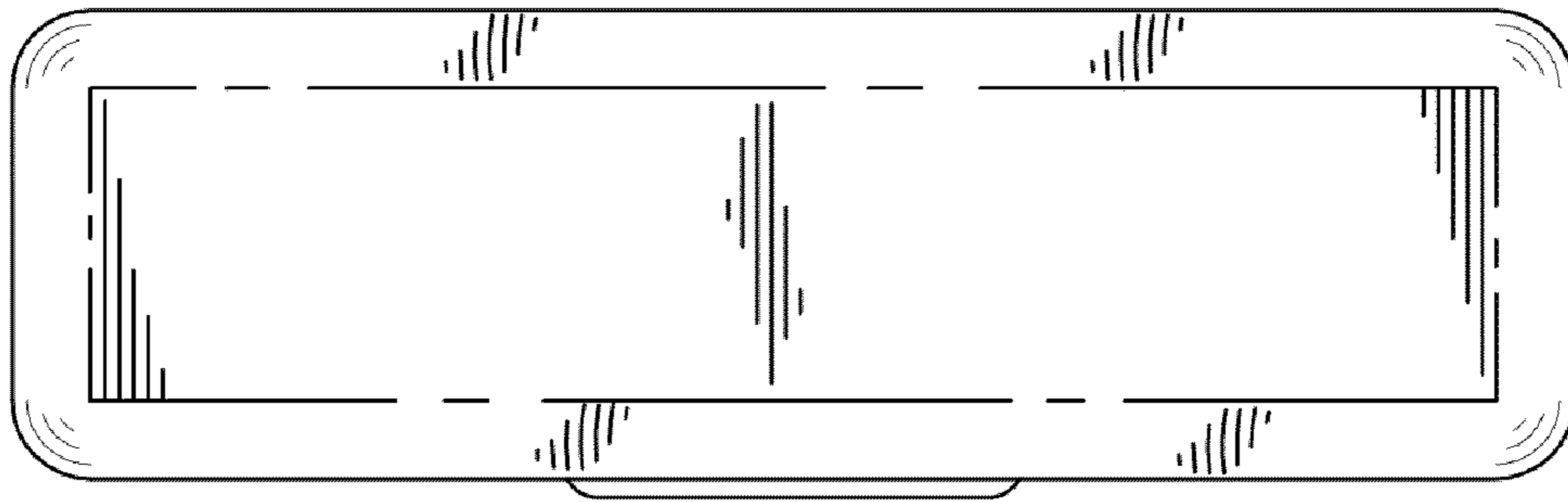


FIG. 7

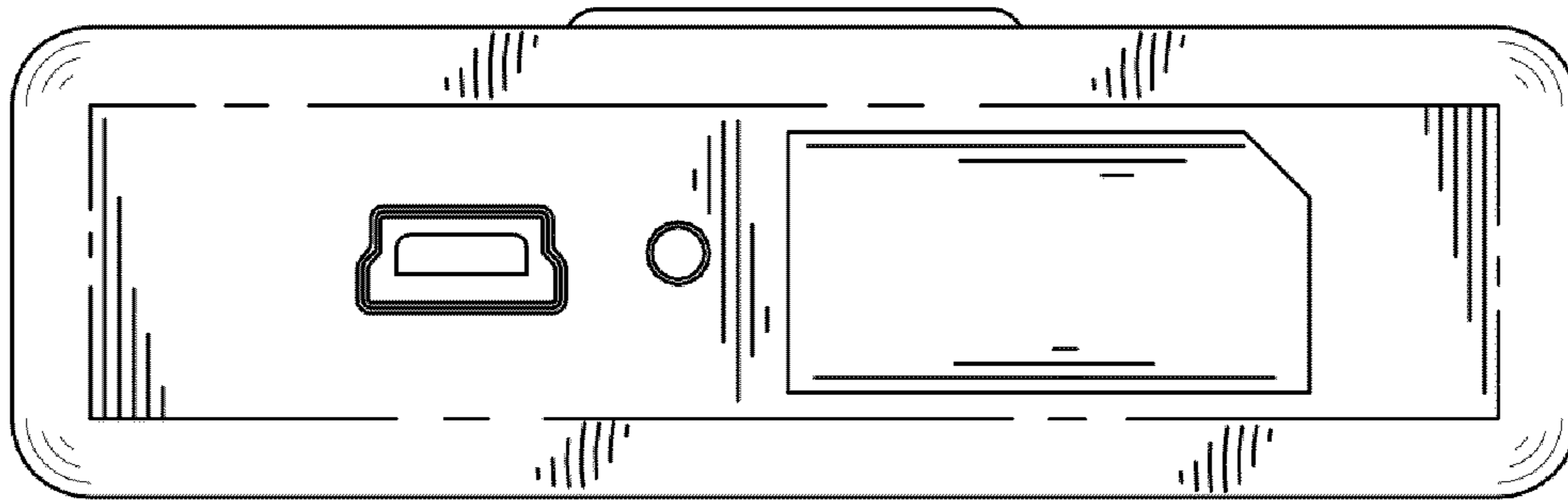


FIG. 8