



US00D676999S

(12) **United States Design Patent**
Morgan

(10) **Patent No.:** **US D676,999 S**

(45) **Date of Patent:** **** Feb. 26, 2013**

(54) **LUMINAIRE**

(75) Inventor: **David Morgan**, London (GB)

(73) Assignee: **Beta-Calco Inc.**, Toronto, Ontario

(**) Term: **14 Years**

(21) Appl. No.: **29/419,341**

(22) Filed: **Apr. 27, 2012**

(30) **Foreign Application Priority Data**

Oct. 28, 2011 (EP) 001940040-0001

Oct. 31, 2011 (CA) 142959

Apr. 20, 2012 (CA) 145406

(51) **LOC (9) Cl.** **26-99**

(52) **U.S. Cl.** **D26/128**

(58) **Field of Classification Search** D26/1,
D26/2, 118, 113, 138, 119, 120, 121, 122,
D26/76, 77, 75, 78, 85, 86, 89, 90, 62, 64,
D26/65, 66, 63, 73, 72, 74, 68, 71, 28, 123,
D26/124, 127, 128, 129, 134, 135, 132, 139,
D26/154, 155, 152, 149, 148, 145, 143, 142,
D26/140, 141, 153, 144, 91, 92, 29, 24, 25,
D26/26, 8, 114, 37, 87; 362/202, 347, 349,
362/362, 419, 96, 192, 145, 294, 326, 267,
362/373, 249.01-249.12; D13/102, 179,
D13/180

See application file for complete search history.

(56) **References Cited**

U.S. PATENT DOCUMENTS

- D102,438 S * 12/1936 Montmartin D26/88
- D110,639 S * 7/1938 Guth D26/86
- D150,357 S * 7/1948 Herbster D23/390
- D242,943 S * 1/1977 Lazerson D26/88
- D262,660 S * 1/1982 Fairbanks et al. D26/88
- D324,924 S * 3/1992 Bengochea D26/88
- D407,521 S * 3/1999 Crosby D26/88
- D497,447 S * 10/2004 Yoneda D26/72
- D558,912 S * 1/2008 Crosby D26/88
- D566,320 S * 4/2008 Kim D26/88
- D576,341 S * 9/2008 Dordoni D26/90
- D583,981 S * 12/2008 Meyer et al. D26/89
- D583,983 S * 12/2008 Meyer et al. D26/89
- D585,582 S * 1/2009 Campbell D26/88

- D596,336 S * 7/2009 Sabernig D26/88
- D599,947 S * 9/2009 Sabernig D26/88
- D602,191 S * 10/2009 Chang et al. D26/84
- D605,332 S * 12/2009 Miranda D26/88
- D605,333 S * 12/2009 Miranda D26/88
- D617,035 S * 6/2010 Sabernig D26/89
- D621,087 S * 8/2010 Nagane et al. D26/88
- D632,003 S * 2/2011 Jordan D26/88
- D639,993 S * 6/2011 Mier-Langner et al. D26/74
- D650,116 S * 12/2011 Buyce et al. D26/118
- D655,856 S * 3/2012 Burks D26/90
- D659,883 S * 5/2012 Herremans D26/88
- D659,886 S * 5/2012 Wauters D26/90
- D659,888 S * 5/2012 Shin et al. D26/90
- D662,645 S * 6/2012 Morgan D26/84
- D663,470 S * 7/2012 Ruiz D26/88

* cited by examiner

Primary Examiner — Kevin Rudzinski

(74) *Attorney, Agent, or Firm* — Renner, Otto, Boisselle & Sklar, LLP

(57) **CLAIM**

The ornamental design for a luminaire, as shown and described.

DESCRIPTION

FIG. 1 is a perspective view of the luminaire according to my new design;

FIG. 2 is a side view of the luminaire shown in FIG. 1;

FIG. 3 is a top view of the luminaire shown in FIG. 1;

FIG. 4 is a bottom view of the luminaire shown in FIG. 1;

FIG. 5 is a perspective view the luminaire showing a variant of my new design;

FIG. 6 is a side view of the luminaire shown in FIG. 6;

FIG. 7 is a top view of the luminaire shown in FIG. 6;

FIG. 8 is a bottom view of the luminaire shown in FIG. 6;

FIG. 9 is a perspective view the luminaire showing a variant of my new design;

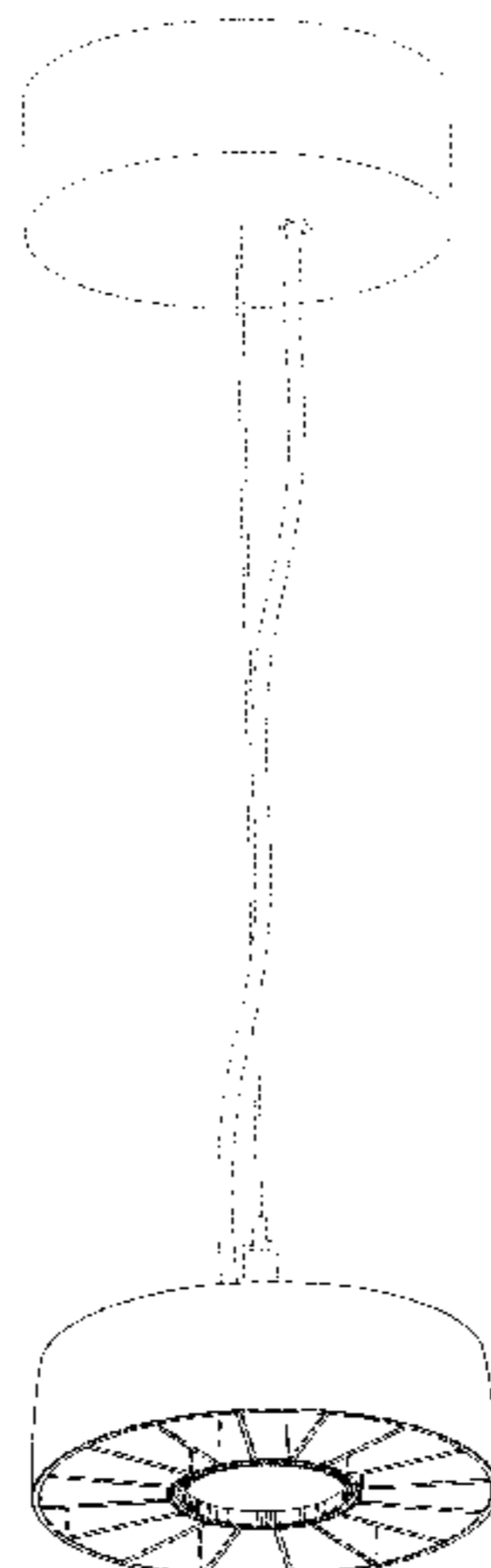
FIG. 10 is a side view of the luminaire shown in FIG. 9;

FIG. 11 is a top view of the luminaire shown in FIG. 9; and,

FIG. 12 is a bottom view of the luminaire shown in FIG. 9.

The broken lines shown in the drawings illustrate portions of the luminaire that form no part of the claimed design.

1 Claim, 9 Drawing Sheets



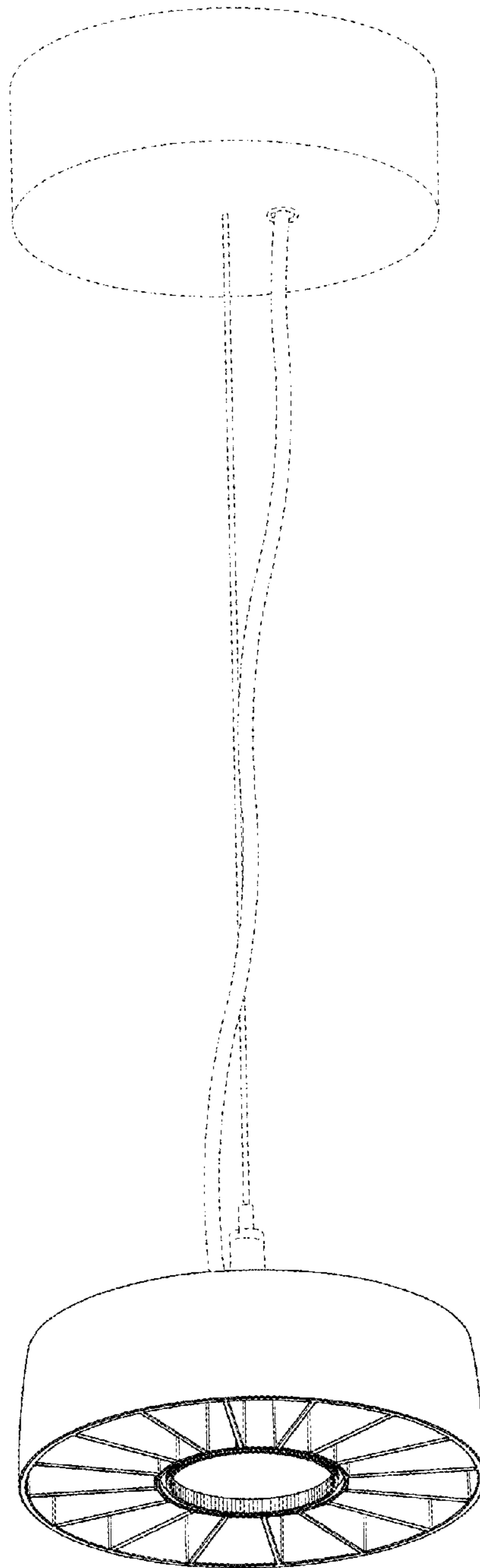


FIG. 1

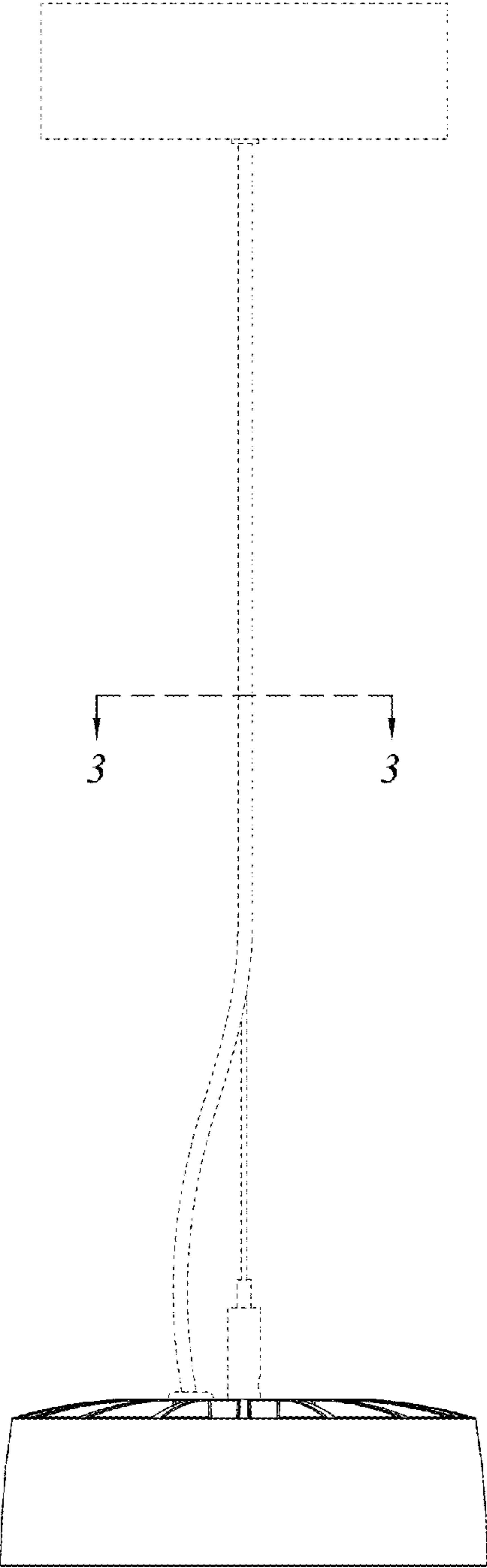


FIG. 2

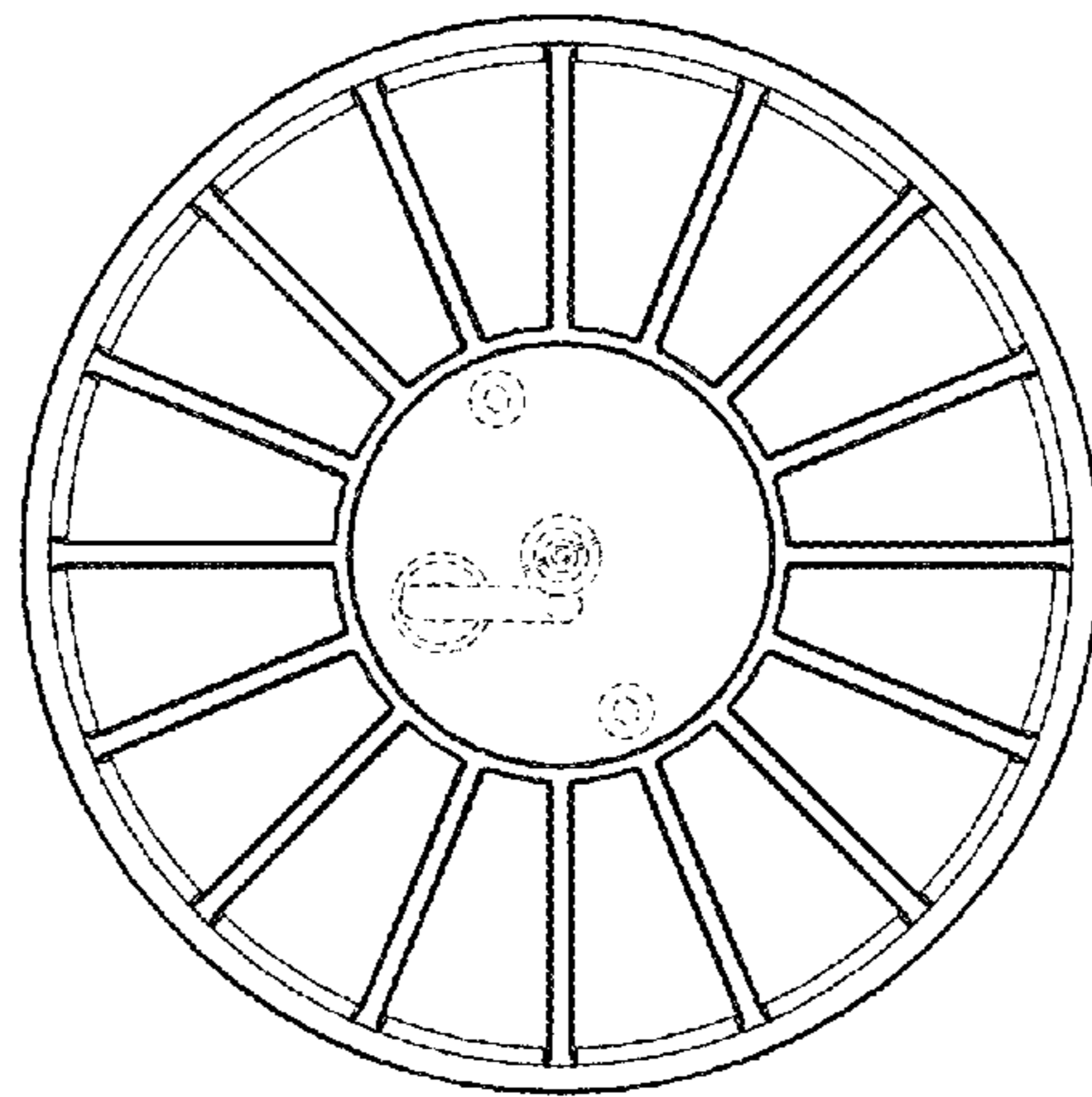


FIG. 3

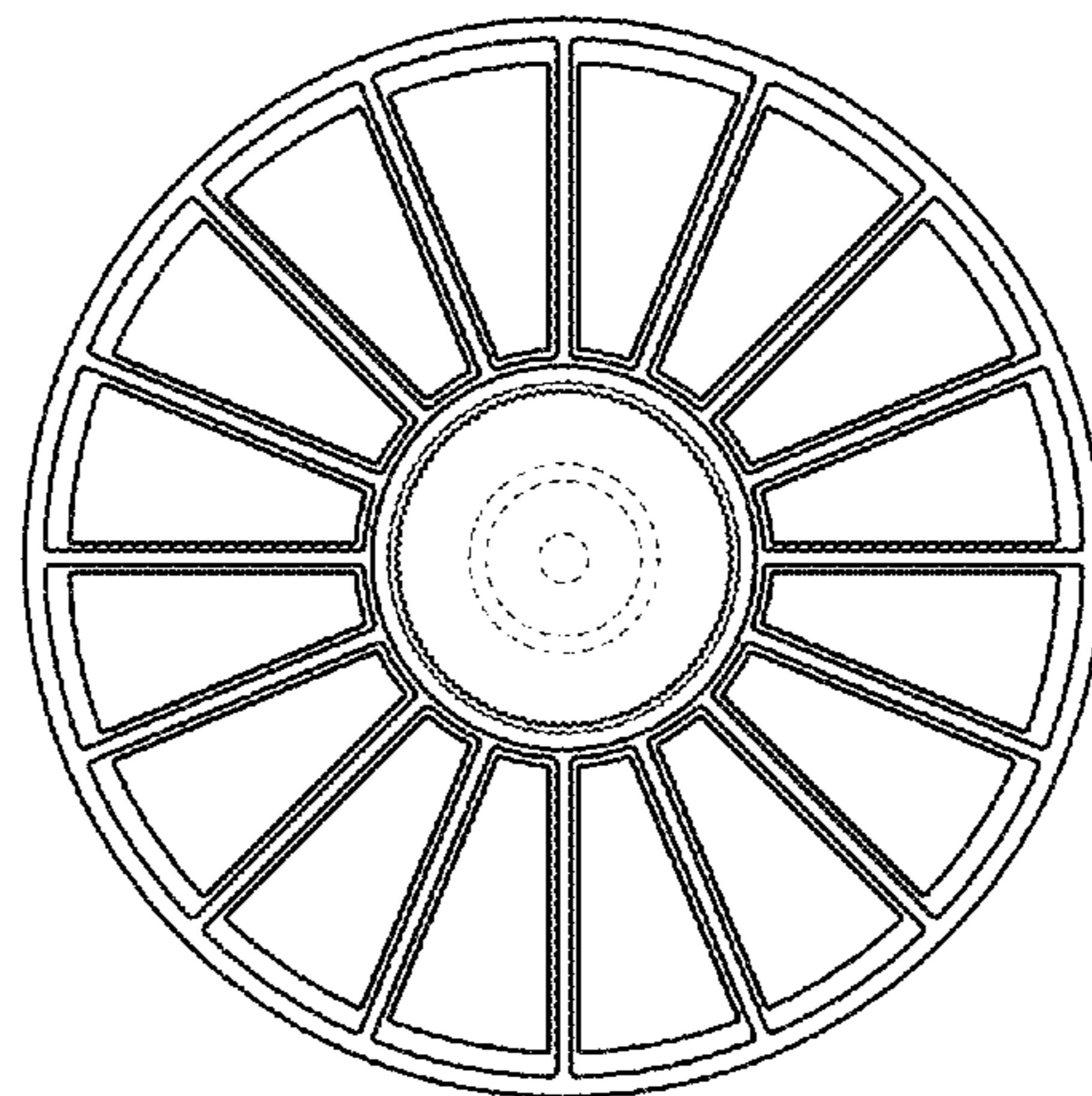


FIG. 4

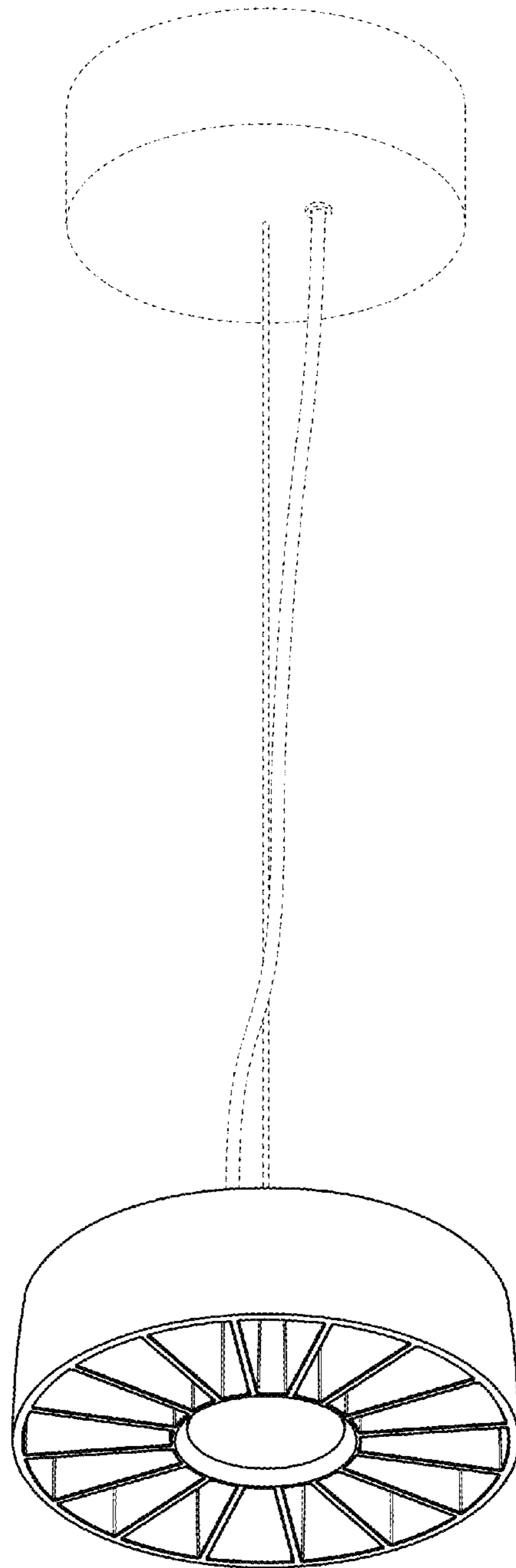


FIG. 5

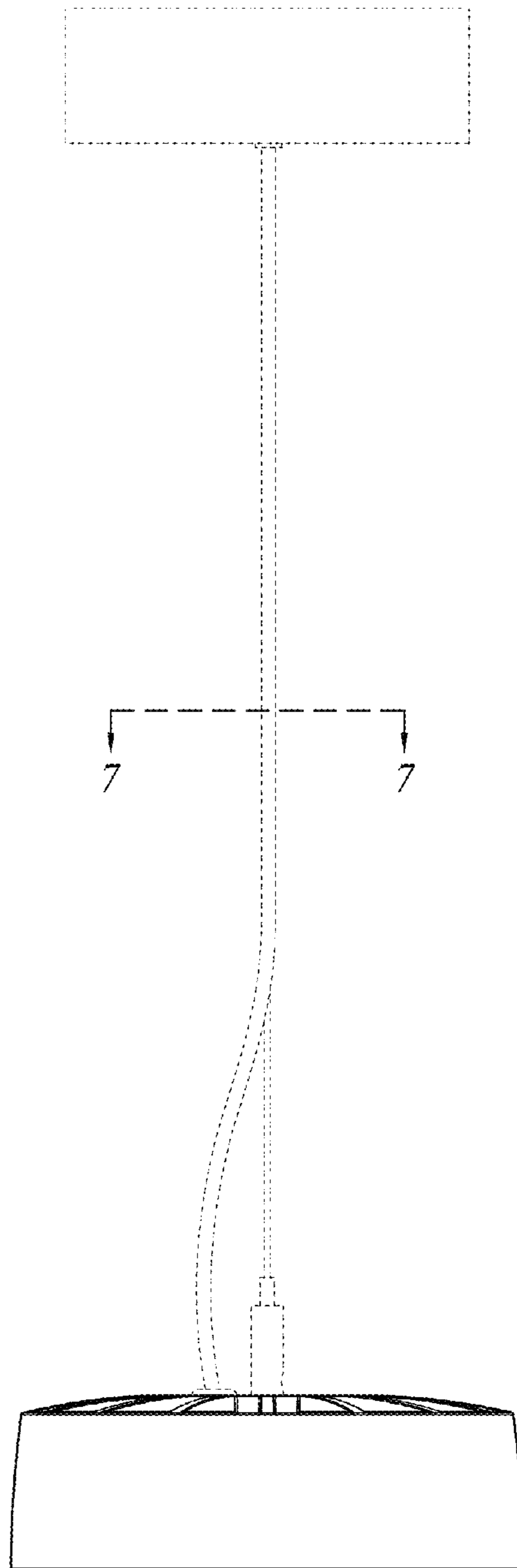


FIG. 6

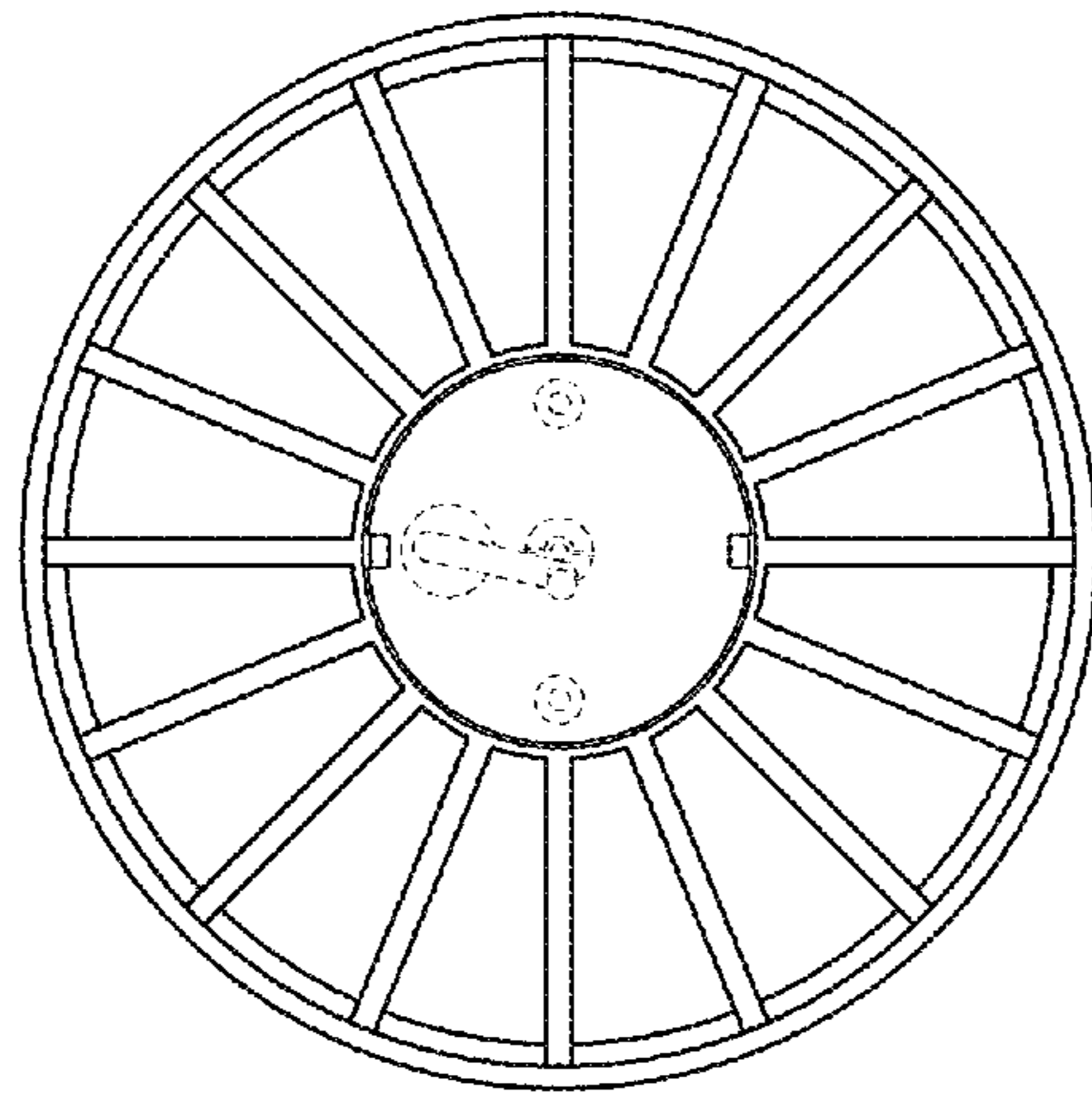


FIG. 7

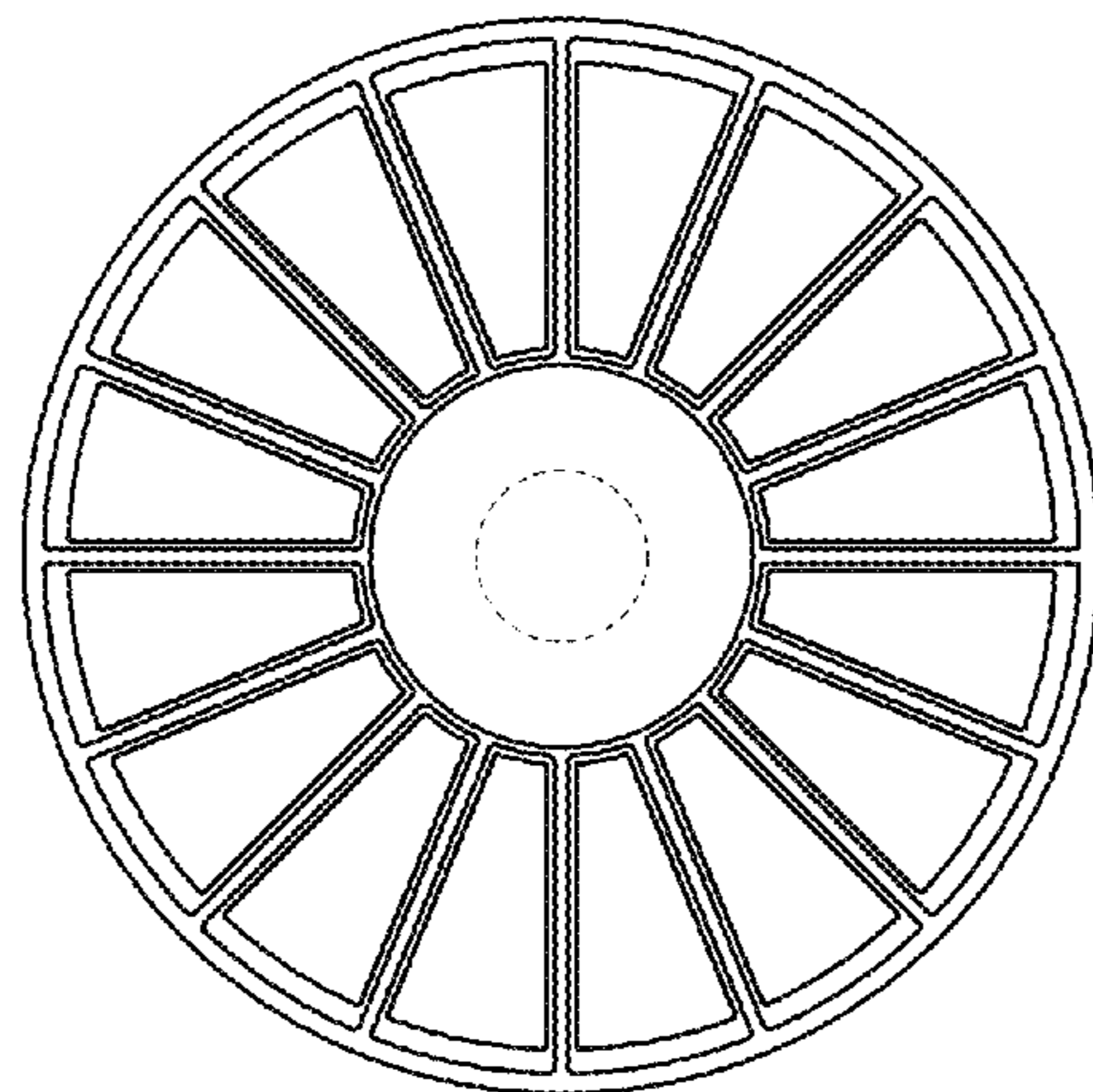


FIG. 8

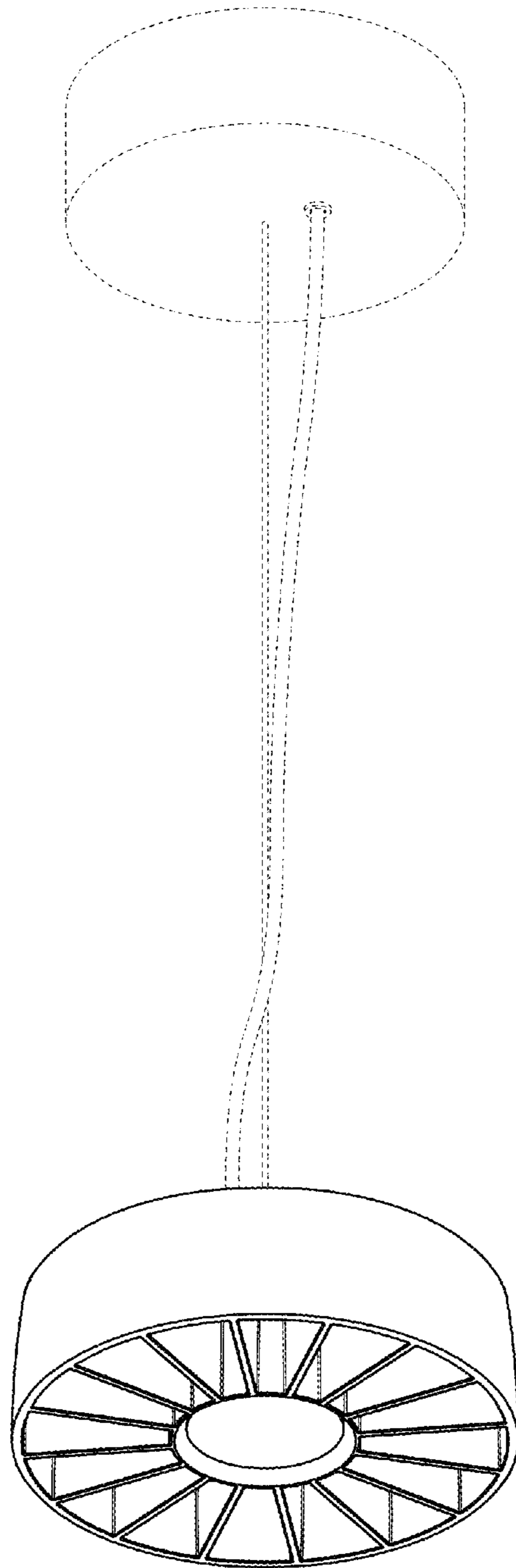


FIG. 9

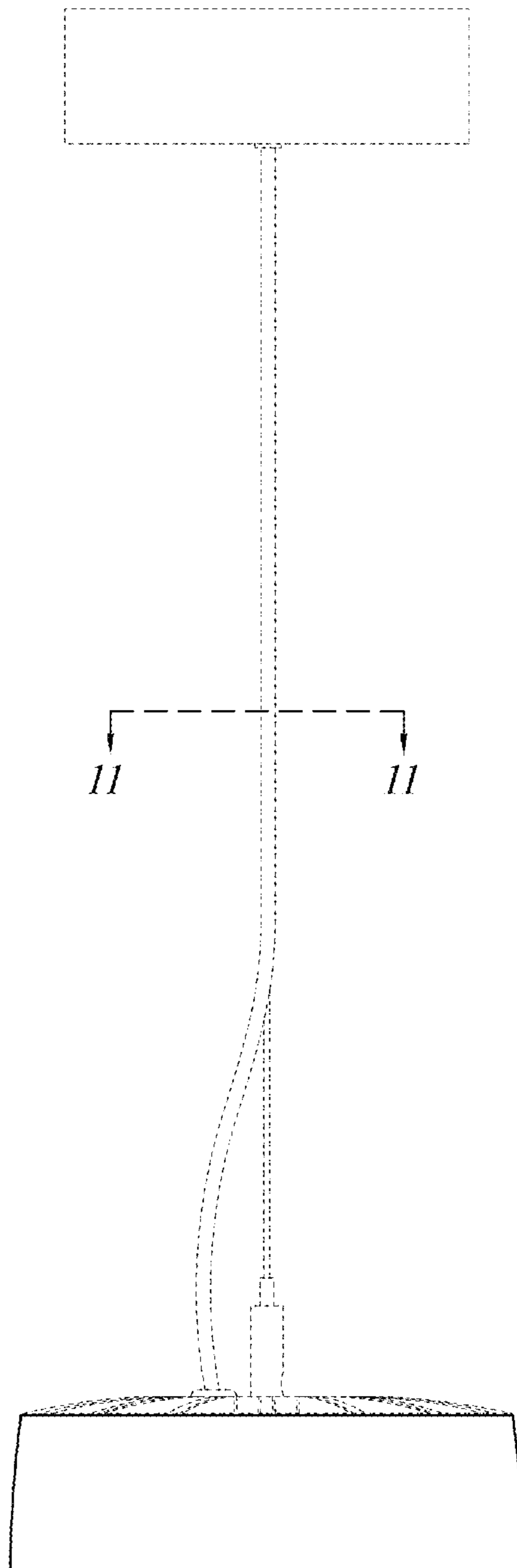


FIG. 10

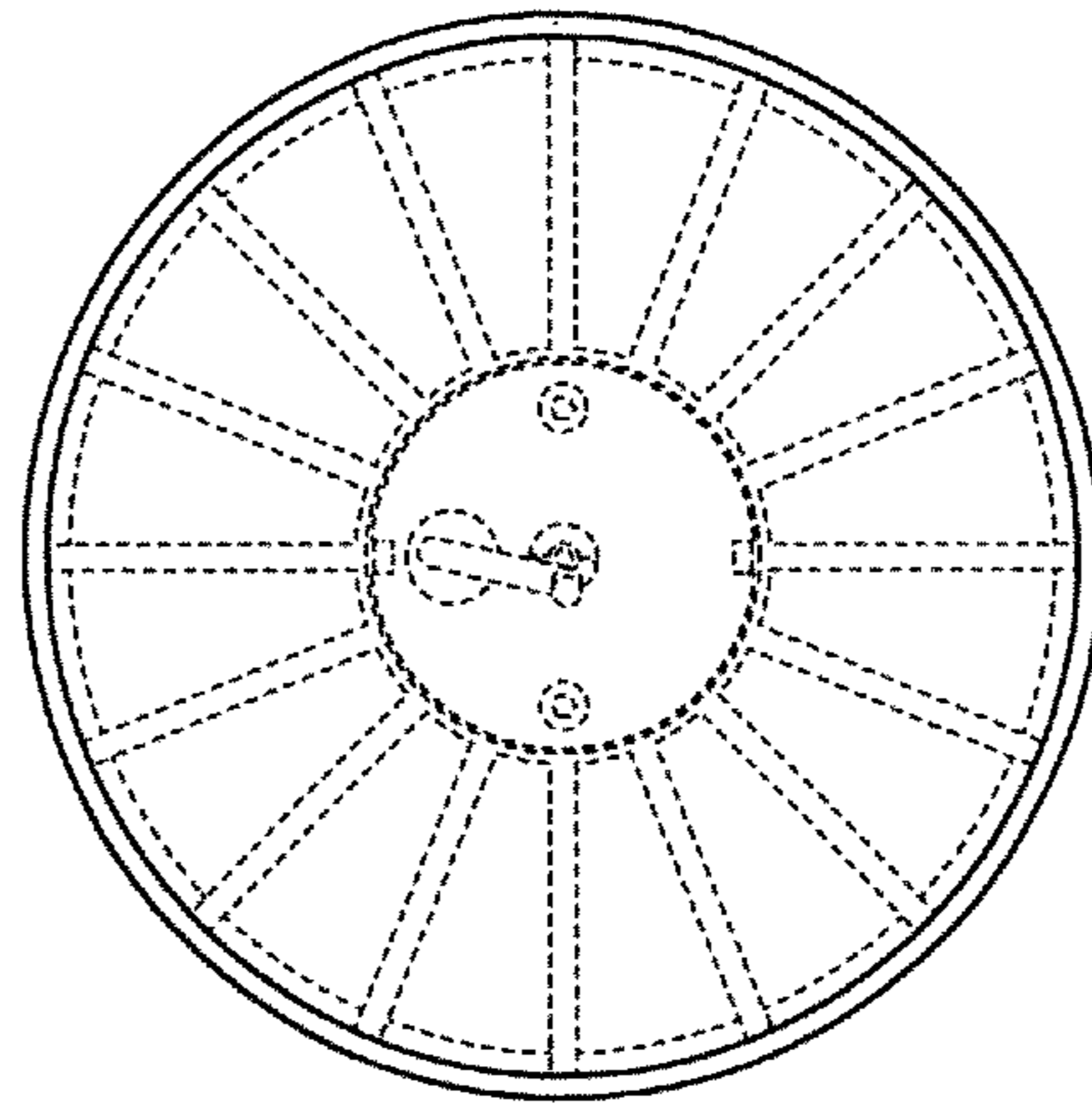


FIG. 11

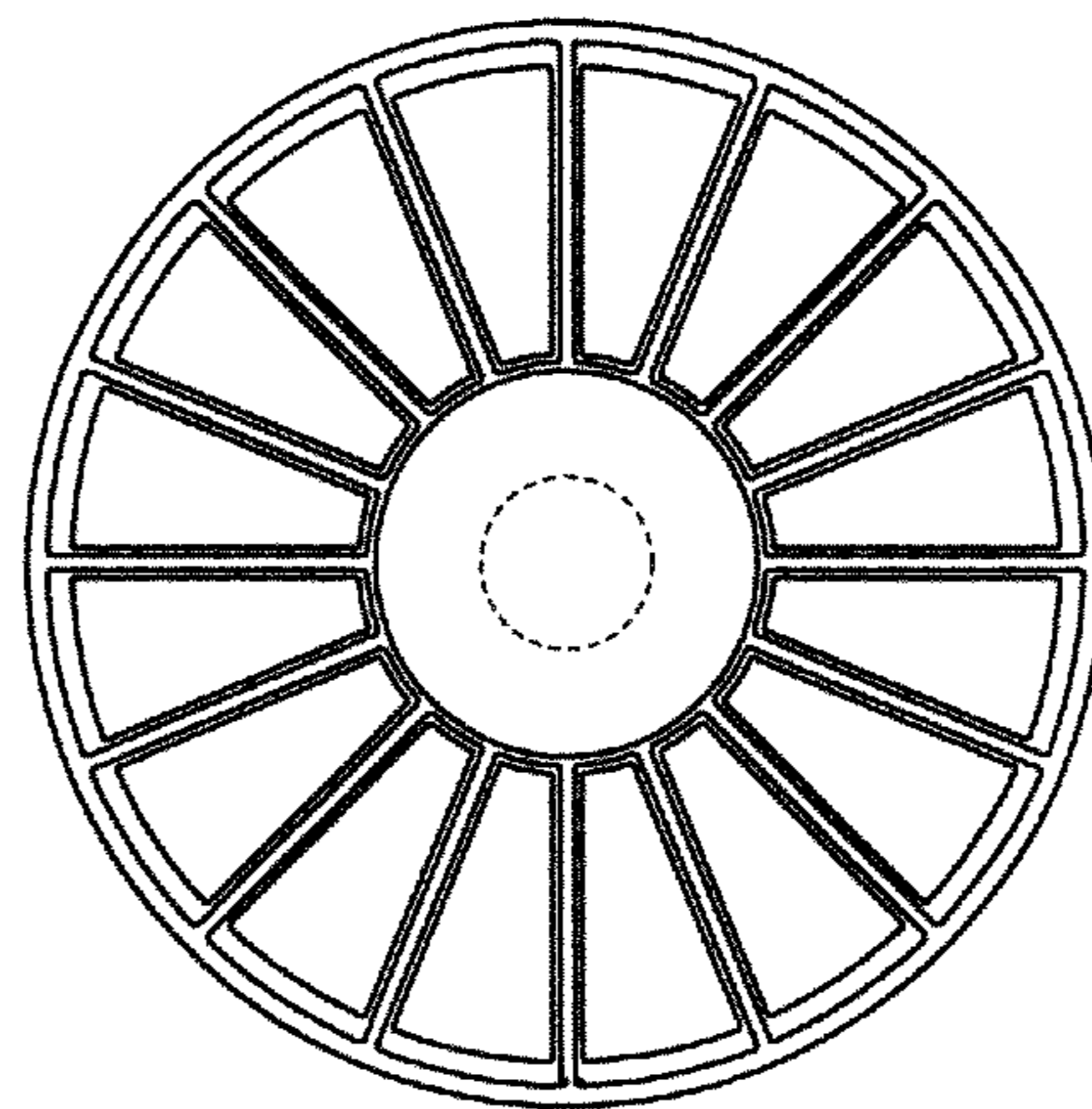


FIG. 12