



US00D676997S

(12) **United States Design Patent**
Tang et al.

(10) **Patent No.:** **US D676,997 S**

(45) **Date of Patent:** **** Feb. 26, 2013**

(54) **WALL LAMP**

(75) Inventors: **Chiang-Kuo Tang**, New Taipei (TW);
Ding-Ding Zhang, Shenzhen (CN);
Li-Dong Zhang, Shenzhen (CN)

(73) Assignee: **Hon Hai Precision Industry Co., Ltd.**,
New Taipei (TW)

(**) Term: **14 Years**

(21) Appl. No.: **29/398,147**

(22) Filed: **Jul. 27, 2011**

(51) **LOC (9) Cl.** **26-03**

(52) **U.S. Cl.** **D26/87**

(58) **Field of Classification Search** D26/67,
D26/85, 87, 118, 128, 129, 130; 362/147,
362/362, 431, 432, 367

See application file for complete search history.

(56) **References Cited**

U.S. PATENT DOCUMENTS

D292,525 S *	10/1987	Van Deelen	D26/85
D424,232 S *	5/2000	Tihany	D26/87
D556,936 S *	12/2007	Miranda	D26/85
D568,523 S *	5/2008	Goetz-Schaefer	D26/85

D590,983 S *	4/2009	Sabernig	D26/85
D606,701 S *	12/2009	Chandler	D26/87
D608,488 S *	1/2010	Miranda	D26/87
D608,935 S *	1/2010	Pedersen	D26/85
D642,319 S *	7/2011	Sprengers	D26/85
D646,423 S *	10/2011	Chiu	D26/85
D669,207 S *	10/2012	Chen	D26/87

* cited by examiner

Primary Examiner — Clare E Heflin

(74) *Attorney, Agent, or Firm* — Altis Law Group, Inc.

(57) **CLAIM**

The ornamental design for a wall lamp, as shown and described.

DESCRIPTION

FIG. 1 is a perspective view of a wall lamp showing our new design;

FIG. 2 is a front elevational view thereof;

FIG. 3 is a rear elevational view thereof;

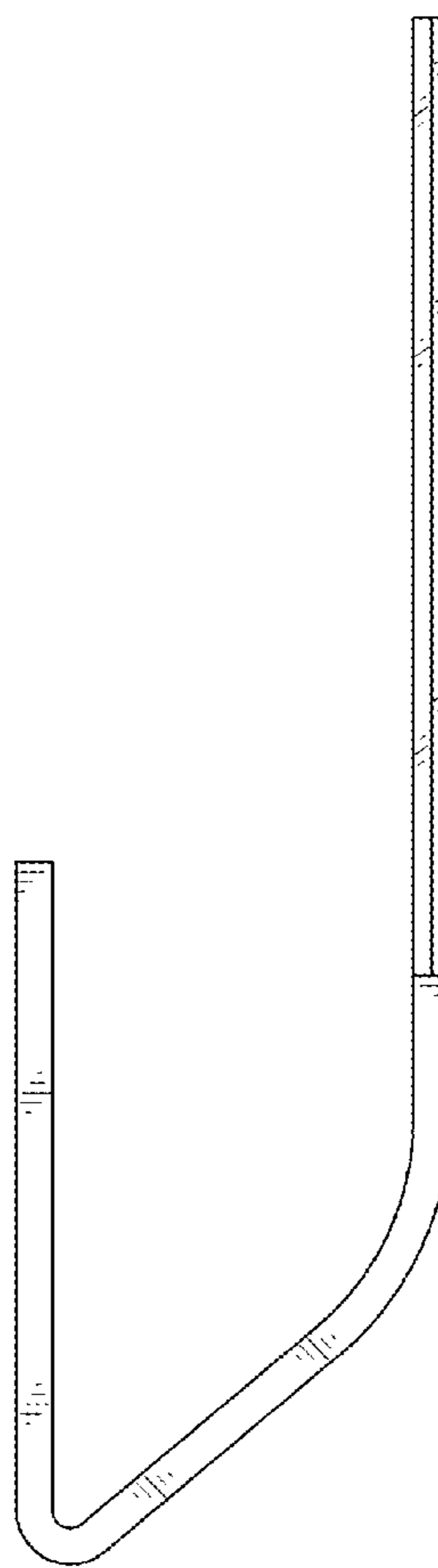
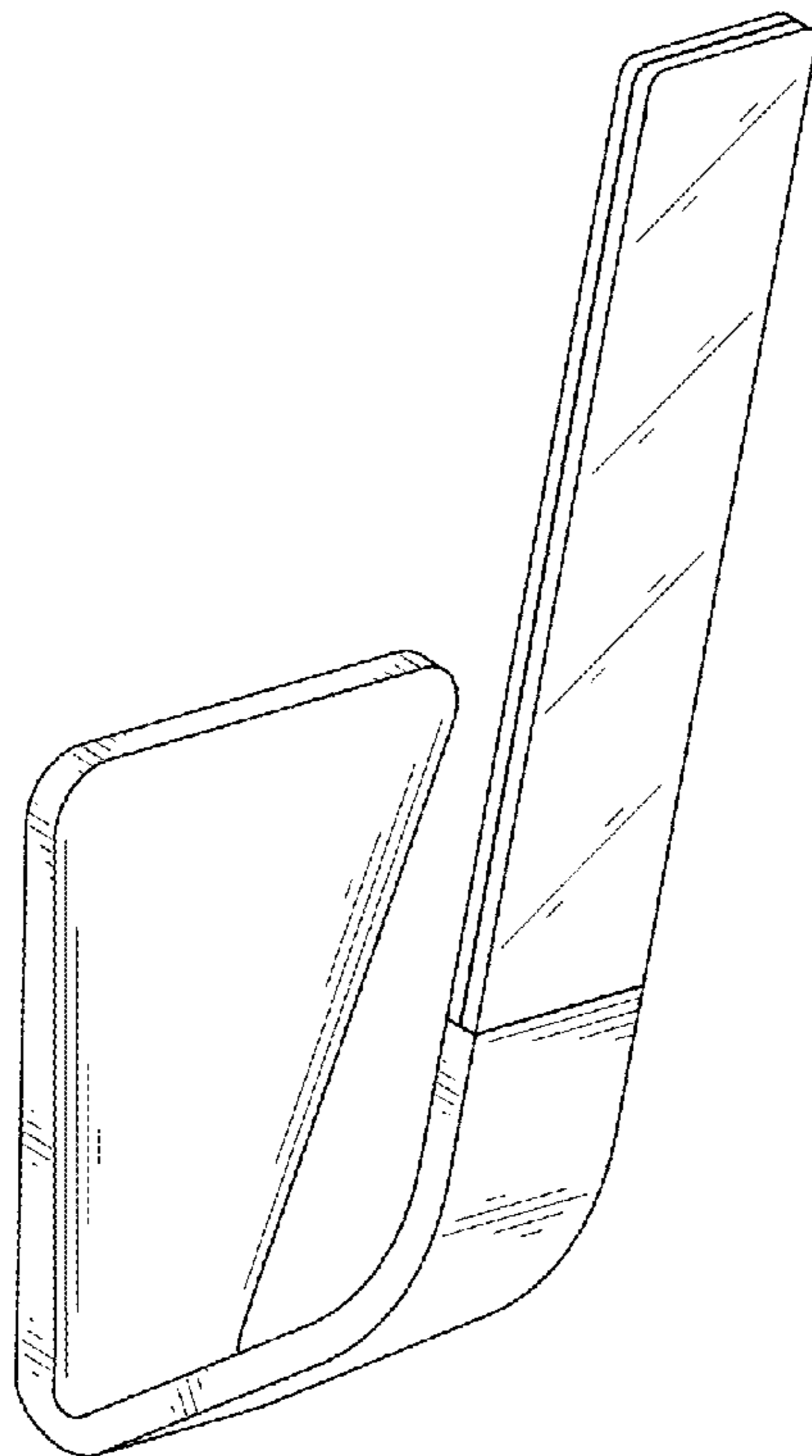
FIG. 4 is a left side elevational view thereof;

FIG. 5 is a right side elevational view thereof;

FIG. 6 is a top plan view thereof; and,

FIG. 7 is a bottom plan view thereof.

1 Claim, 7 Drawing Sheets



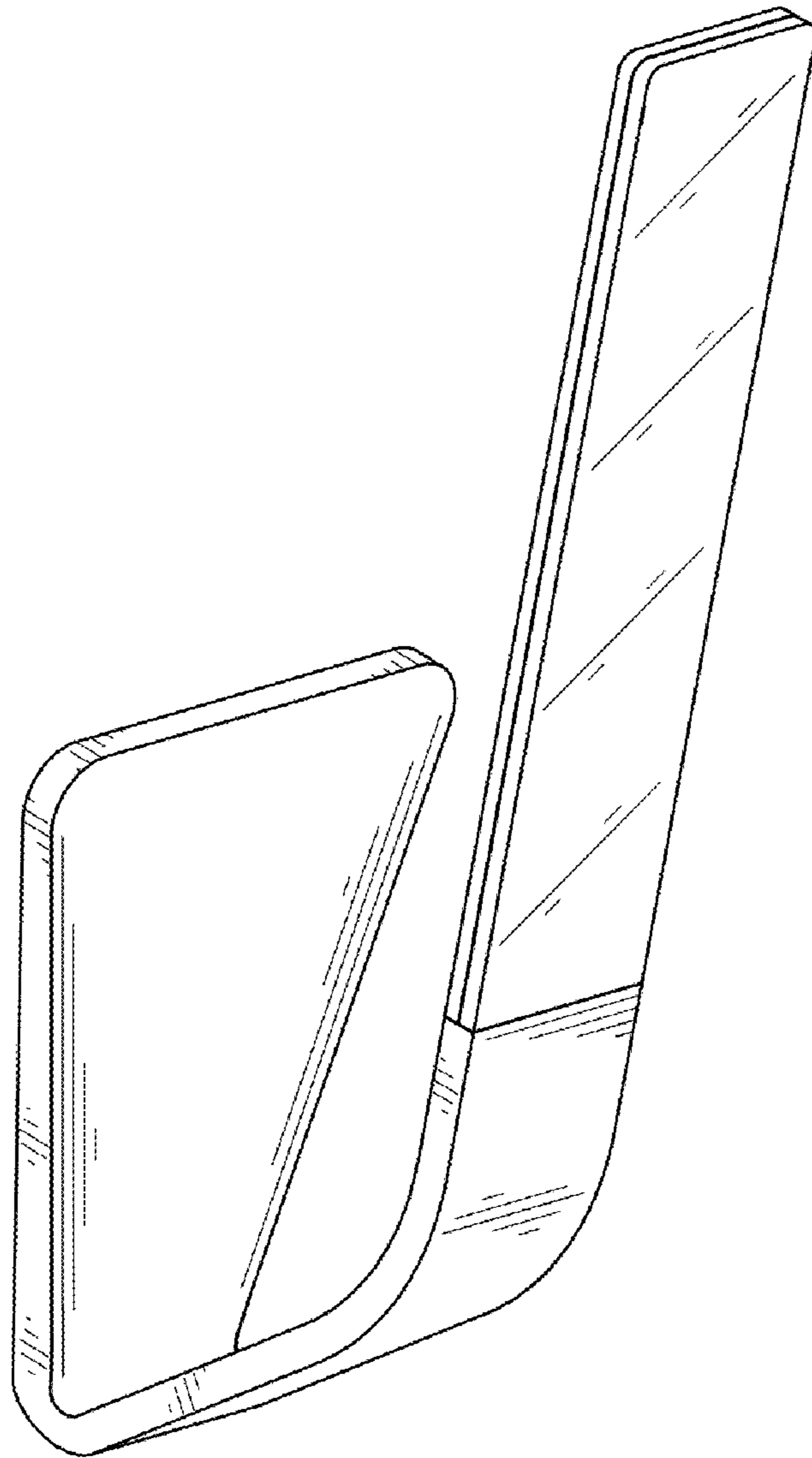


FIG. 1

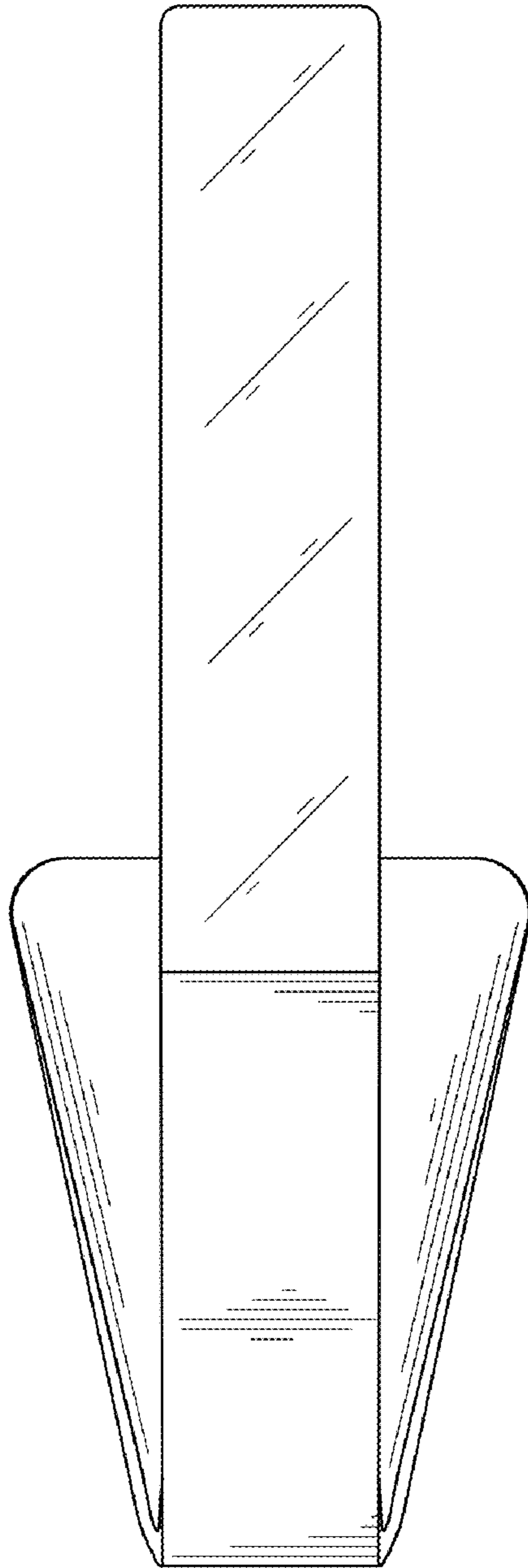


FIG. 2

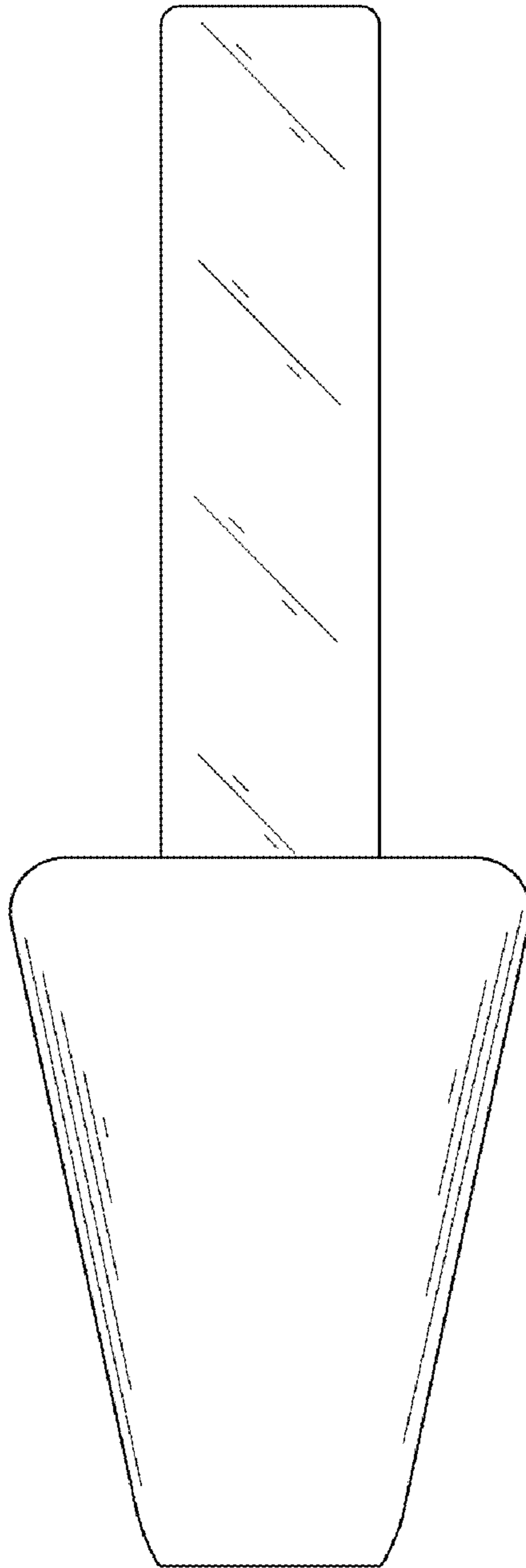


FIG. 3

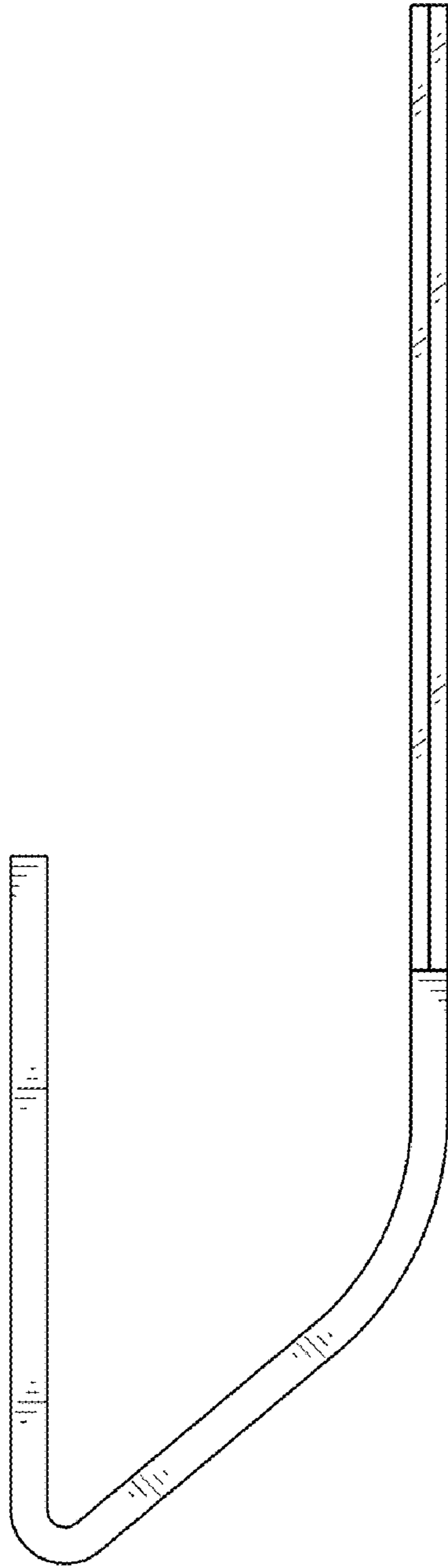


FIG. 4

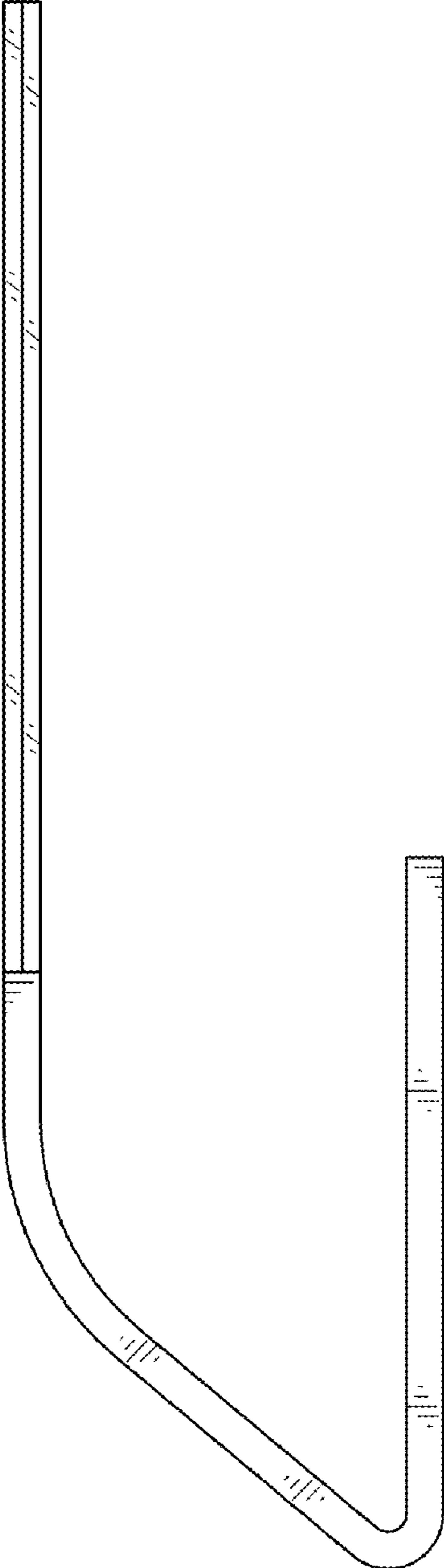


FIG. 5

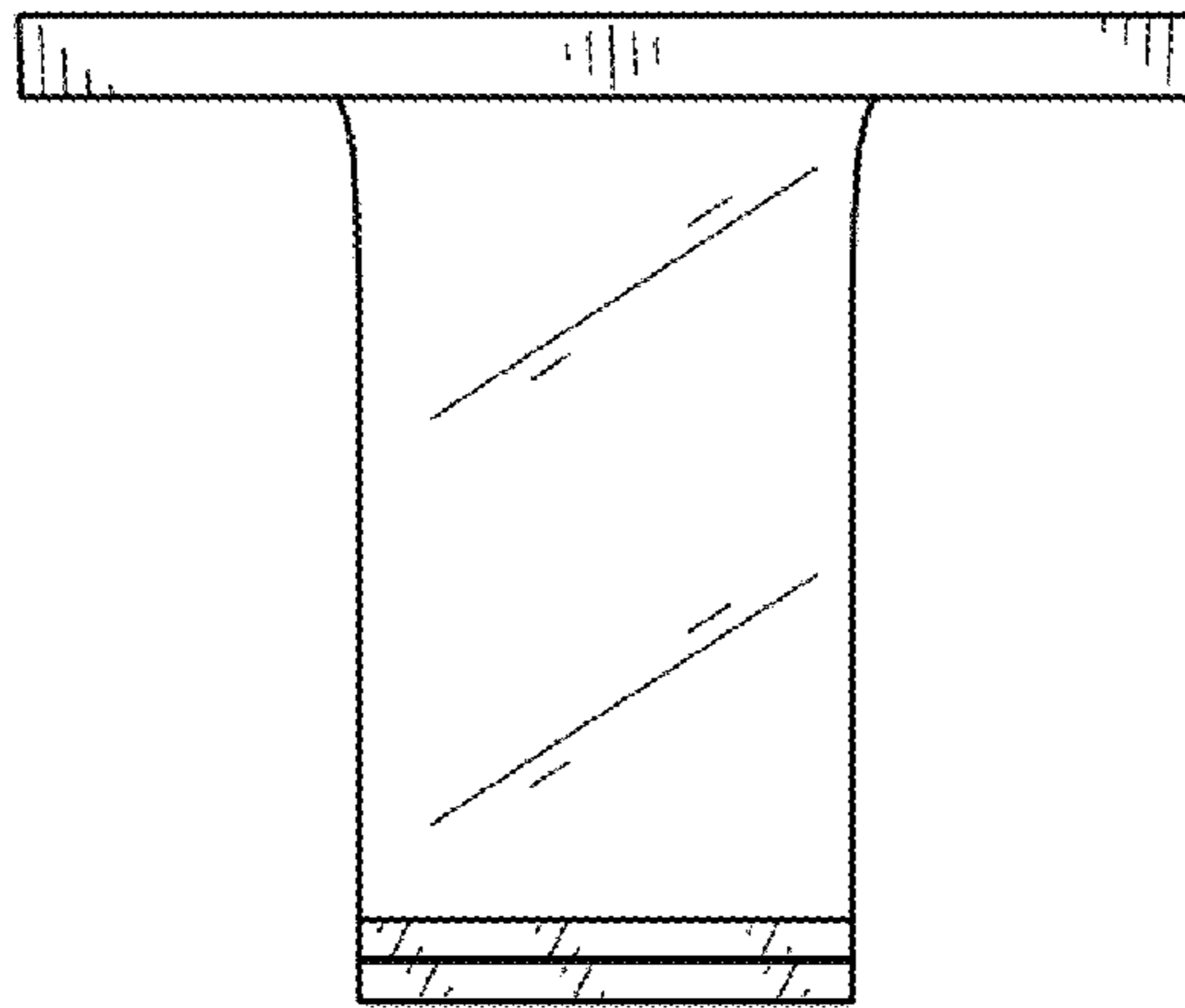


FIG. 6

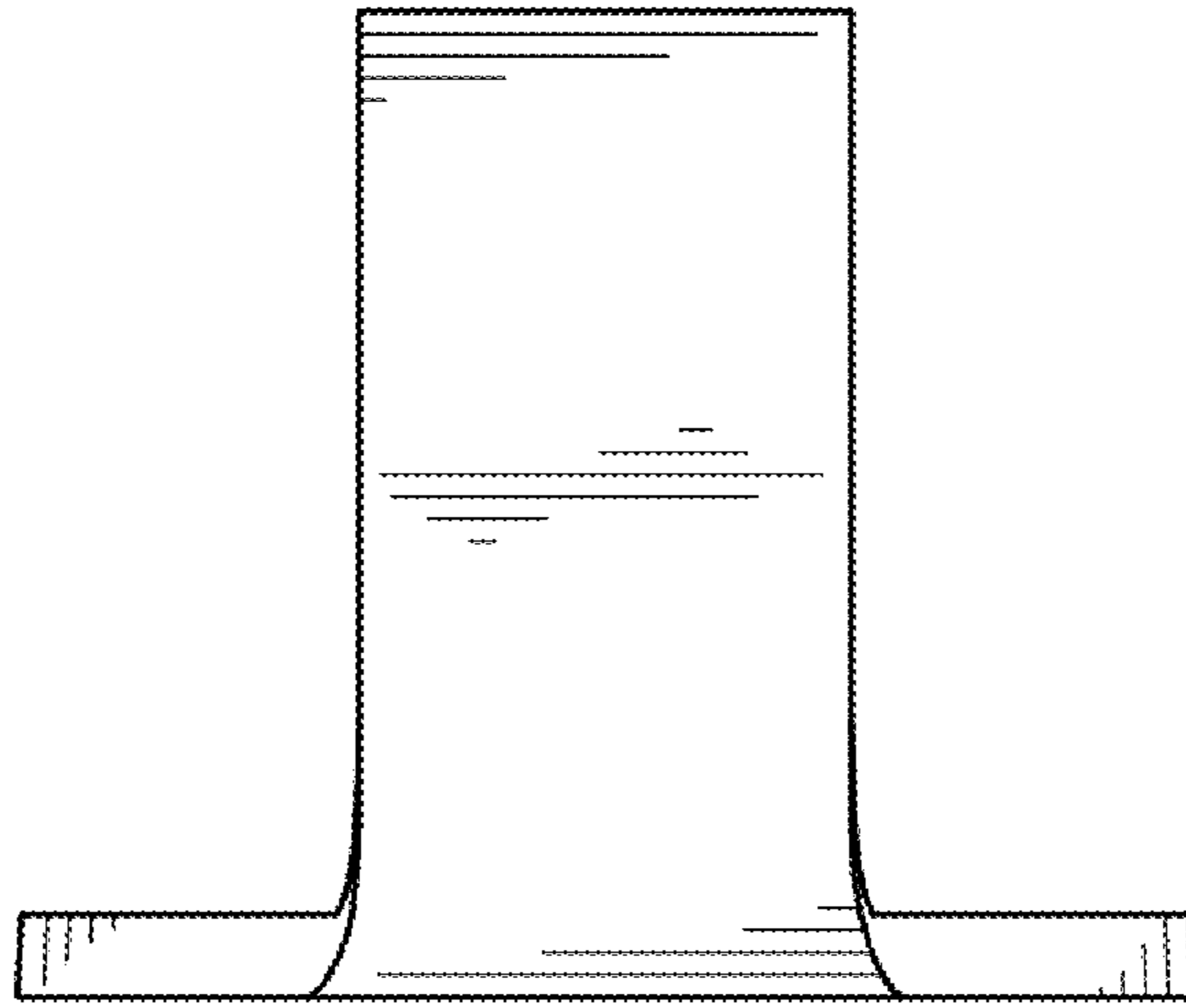


FIG. 7