



US00D676996S

(12) **United States Design Patent**
Gismondi

(10) **Patent No.:** **US D676,996 S**

(45) **Date of Patent:** **** Feb. 26, 2013**

(54) **OUTDOOR LAMP**

(75) Inventor: **Ernesto Gismondi**, Milan (IT)

(73) Assignee: **Artemide S.p.A.**, Milan (IT)

(**) Term: **14 Years**

(21) Appl. No.: **29/404,185**

(22) Filed: **Oct. 17, 2011**

(30) **Foreign Application Priority Data**

Apr. 15, 2011 (EM) 1271258-0009
Apr. 15, 2011 (EM) 1271258-0010

(51) **LOC (9) Cl.** **26-05**

(52) **U.S. Cl.** **D26/67; D26/104; D26/118**

(58) **Field of Classification Search** D26/67-71,
D26/85, 92, 104, 118, 128; D25/126; 362/145,
362/183, 431, 231, 268, 292, 297, 298, 300,
362/307, 310

See application file for complete search history.

(56) **References Cited**

U.S. PATENT DOCUMENTS

D234,969 S *	4/1975	Ervin	D26/67
D238,095 S *	12/1975	Ervin	D26/67
D470,971 S *	2/2003	Vegliante	D26/128
D477,892 S *	7/2003	Alduby	D26/118
D482,158 S *	11/2003	Velikov et al.	D26/128
D482,818 S *	11/2003	Vegliante	D26/128
D518,587 S *	4/2006	Rodriguez, Jr.	D26/67
D565,239 S *	3/2008	Meeker et al.	D26/128
D565,783 S *	4/2008	Meeker et al.	D26/101
D566,878 S *	4/2008	Duffy et al.	D26/85
D566,879 S *	4/2008	Jamelle et al.	D26/85
D575,899 S *	8/2008	Meeker et al.	D26/128
D583,978 S *	12/2008	Duffy et al.	D26/85
D608,935 S *	1/2010	Pedersen	D26/85
D612,976 S *	3/2010	Meeker et al.	D26/93
D613,899 S *	4/2010	Whittier et al.	D26/118
D630,370 S *	1/2011	Meeker et al.	D26/93
D643,969 S *	8/2011	Abate	D26/118
D648,059 S *	11/2011	Fisher et al.	D26/118

* cited by examiner

Primary Examiner — Clare E Heflin

(74) *Attorney, Agent, or Firm* — Venable LLP; Robert Kinberg

(57) **CLAIM**

The ornamental design for an outdoor lamp, as shown and described.

DESCRIPTION

FIG. 1 is a top side perspective view of an outdoor lamp according to a first embodiment of the present invention; FIG. 2 is a front view of the outdoor lamp according to the first embodiment of the present invention; FIG. 3 is a left side view of the outdoor lamp according to the first embodiment of the present invention; FIG. 4 is a top view of the outdoor lamp according to the first embodiment of the present invention; FIG. 5 is a right side view of the outdoor lamp according to the first embodiment of the present invention; FIG. 6 is a bottom view of the outdoor lamp according to the first embodiment of the present invention; FIG. 7 is a rear view of the outdoor lamp according to the first embodiment of the present invention; FIG. 8 is a top side perspective view of a outdoor lamp according to a second embodiment of the present invention; FIG. 9 is a front view of the outdoor lamp according to the second embodiment of the present invention; FIG. 10 is a left side view of the outdoor lamp according to the second embodiment of the present invention; FIG. 11 is a top view of the outdoor lamp according to the second embodiment of the present invention; FIG. 12 is a right side view of the outdoor lamp according to the second embodiment of the present invention; FIG. 13 is a bottom view of the outdoor lamp according to the second embodiment of the present invention; and, FIG. 14 is a rear view of the outdoor lamp according to the second embodiment of the present invention.

1 Claim, 4 Drawing Sheets

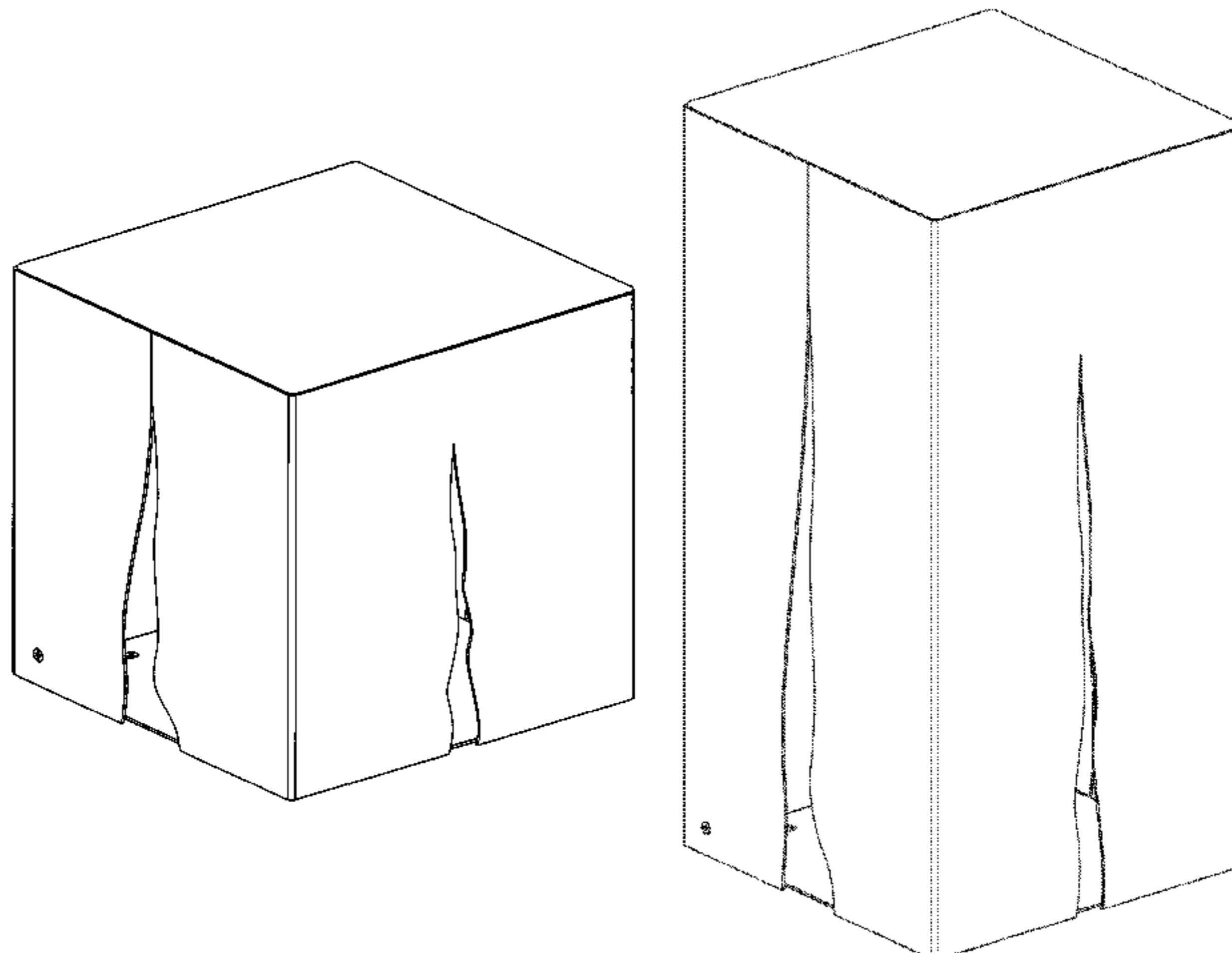


FIG. 1

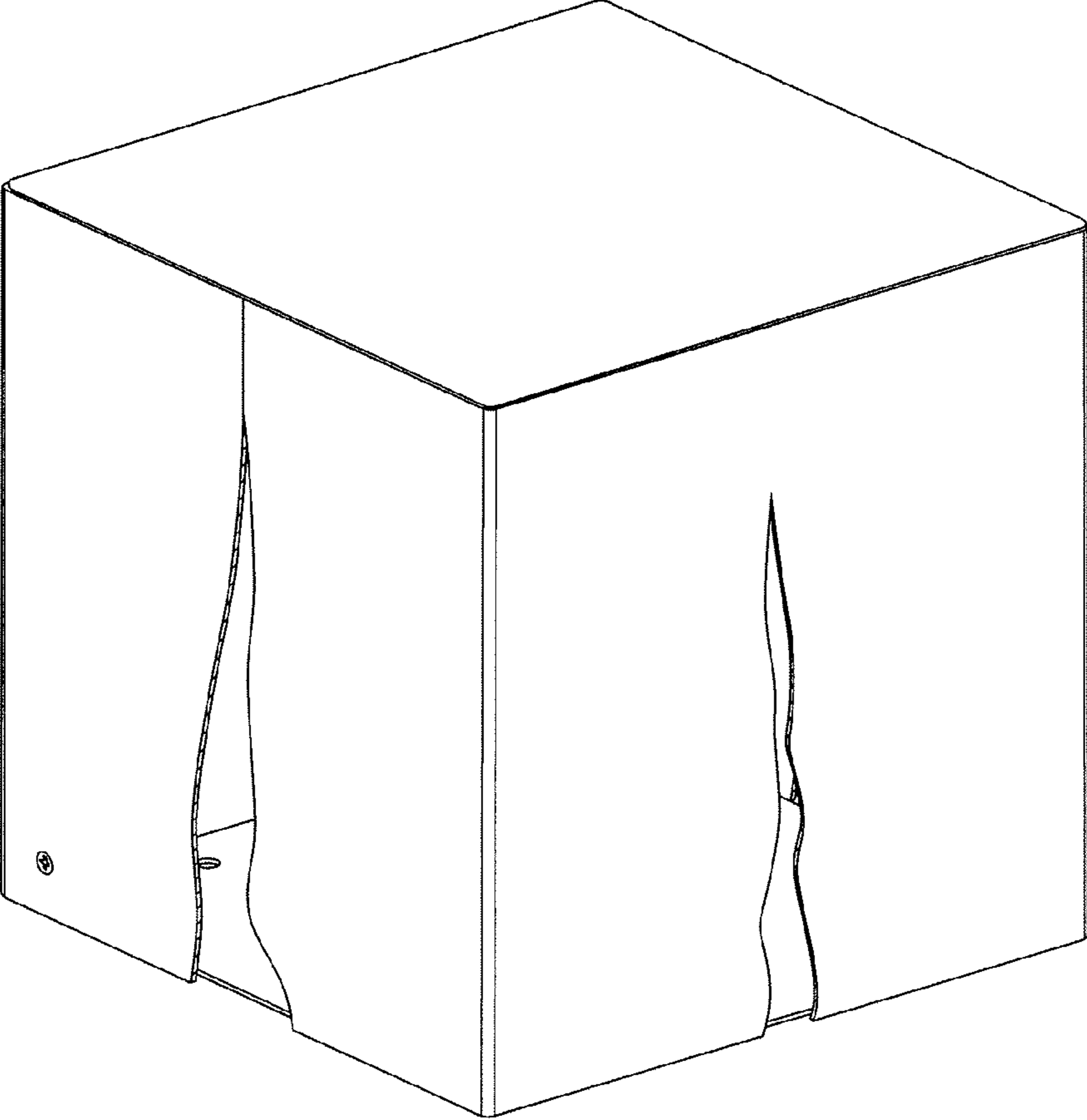


FIG. 2

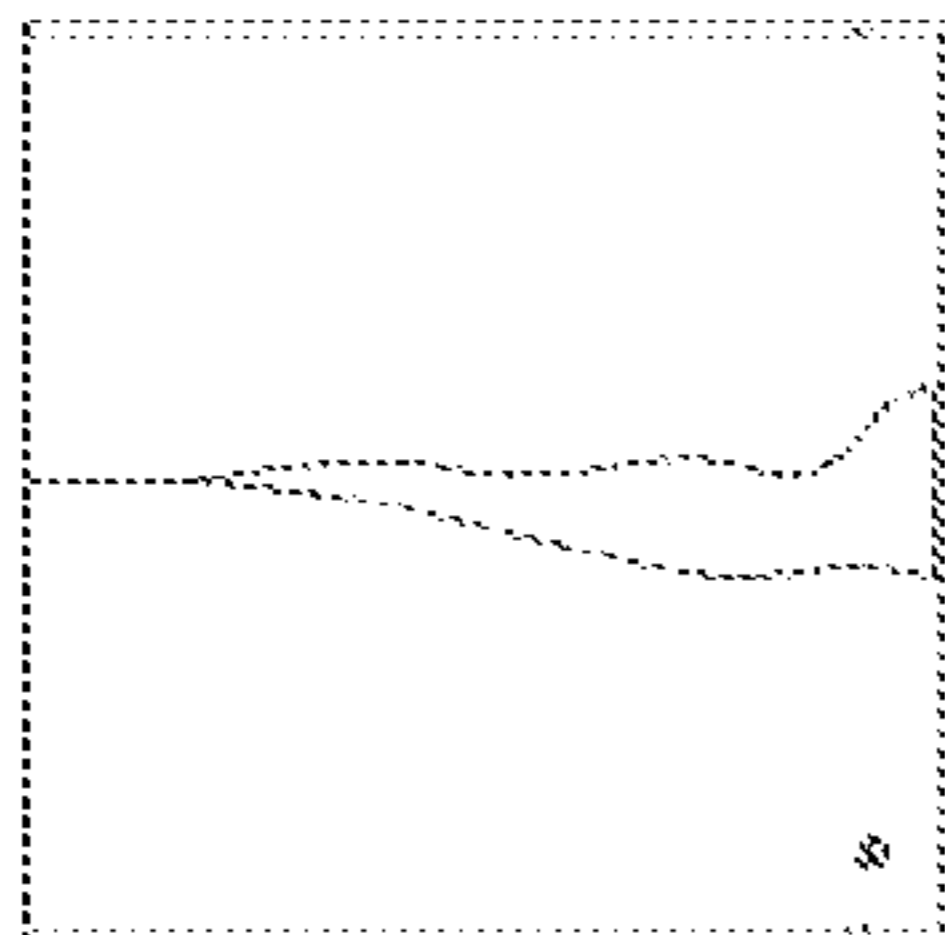


FIG. 4

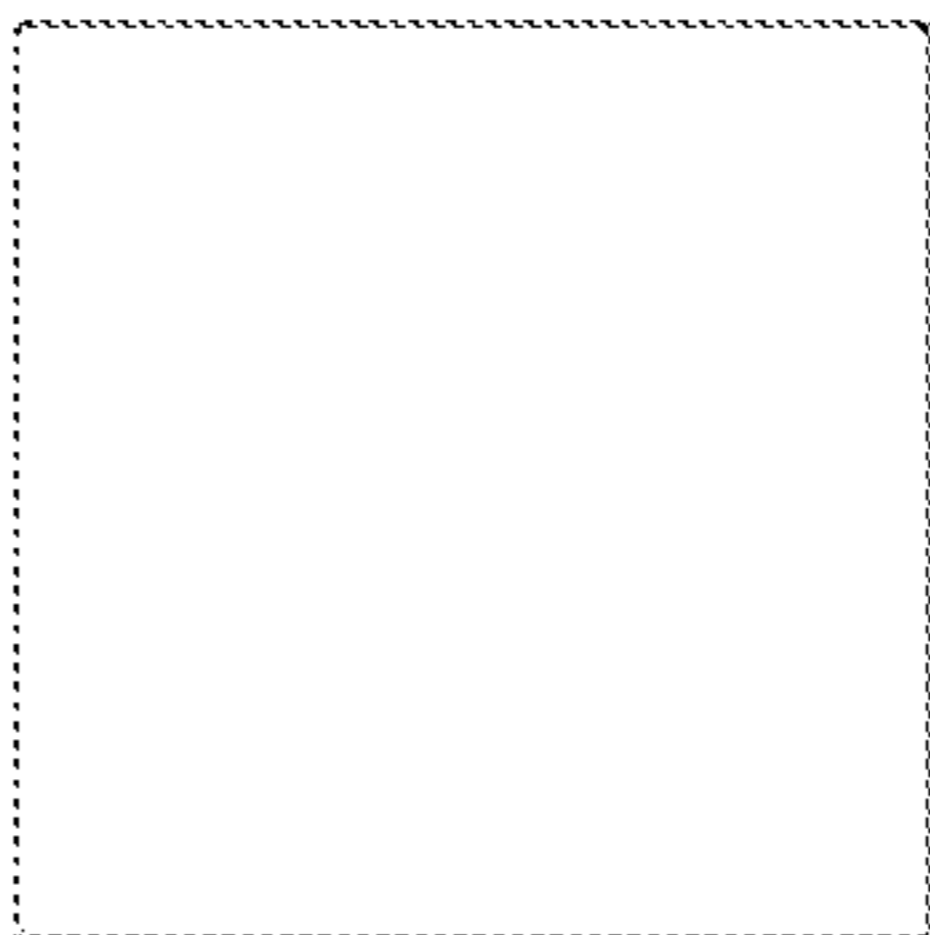


FIG. 5

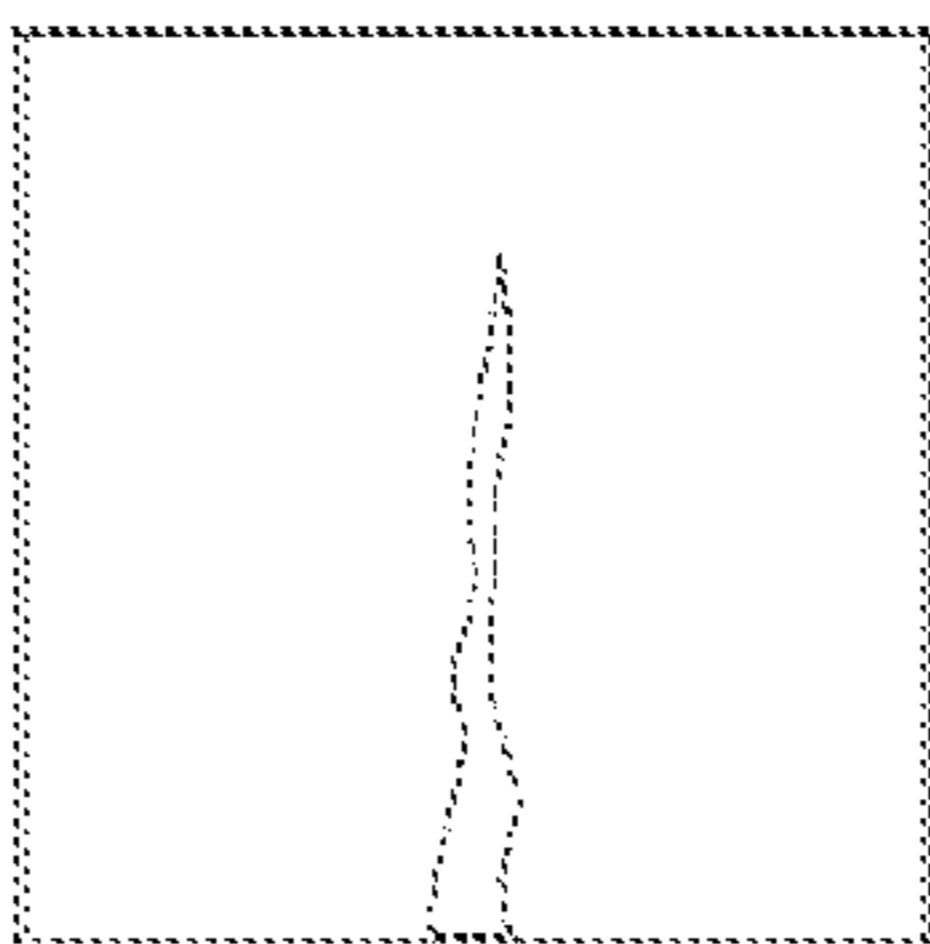


FIG. 6

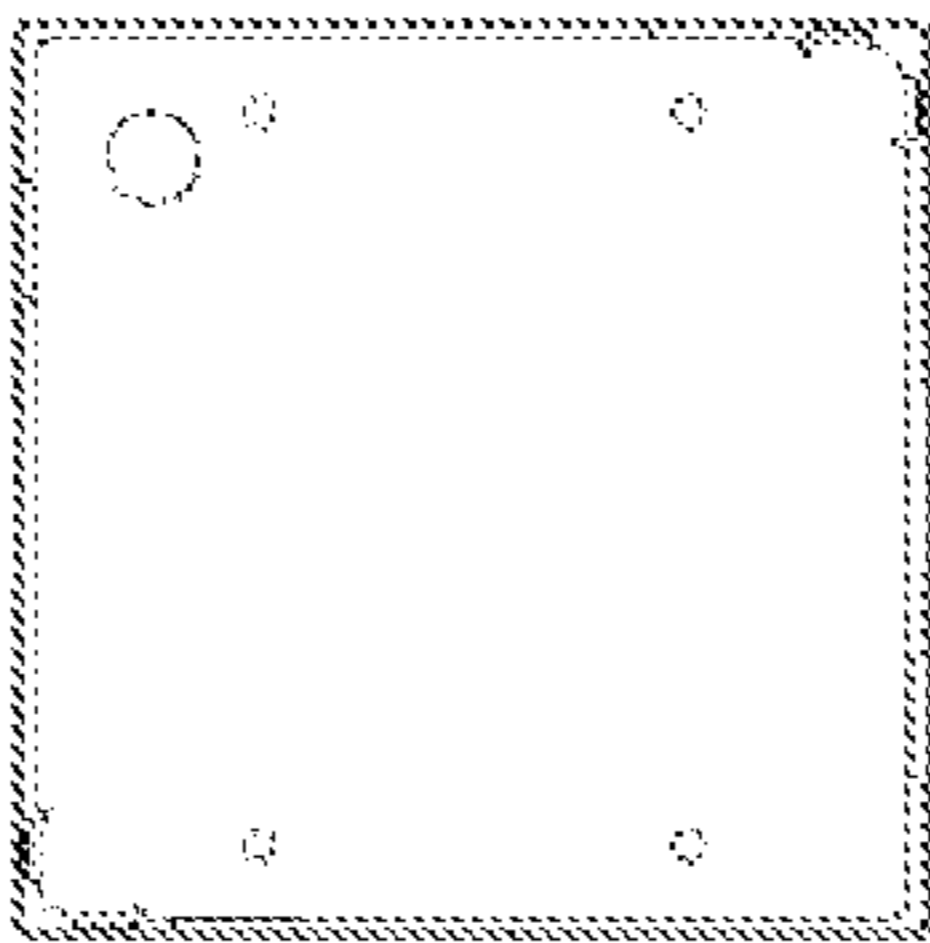


FIG. 3

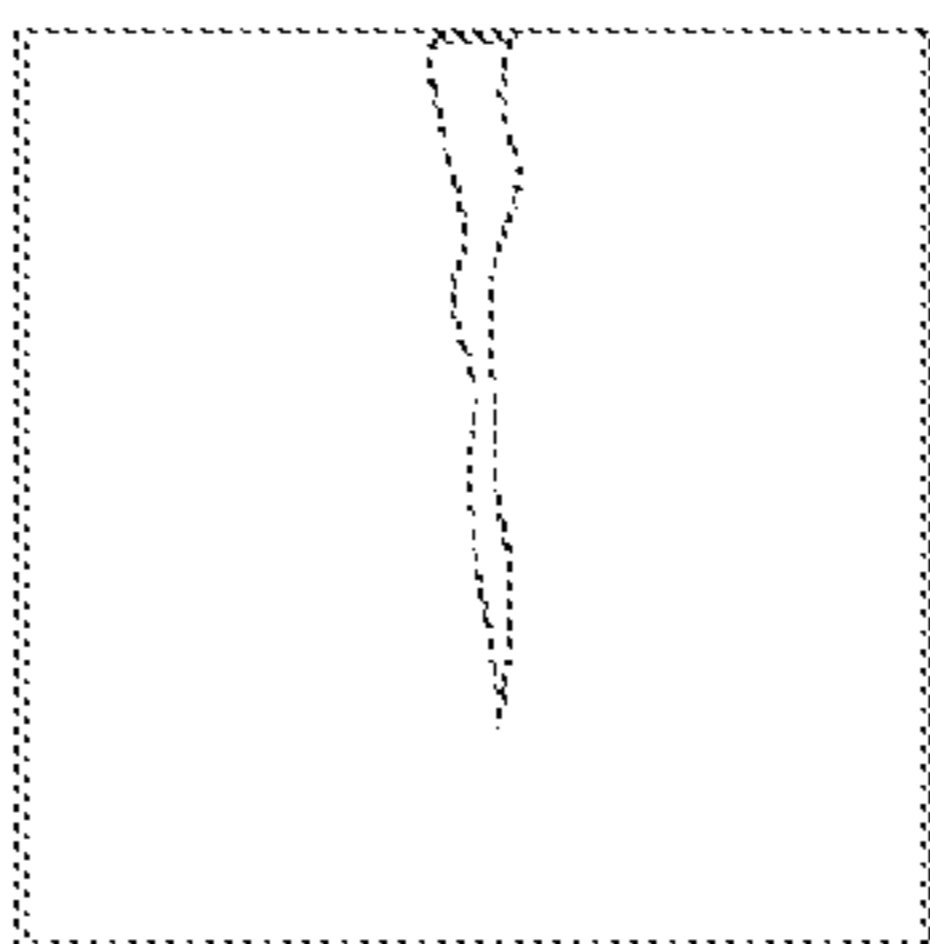


FIG. 7

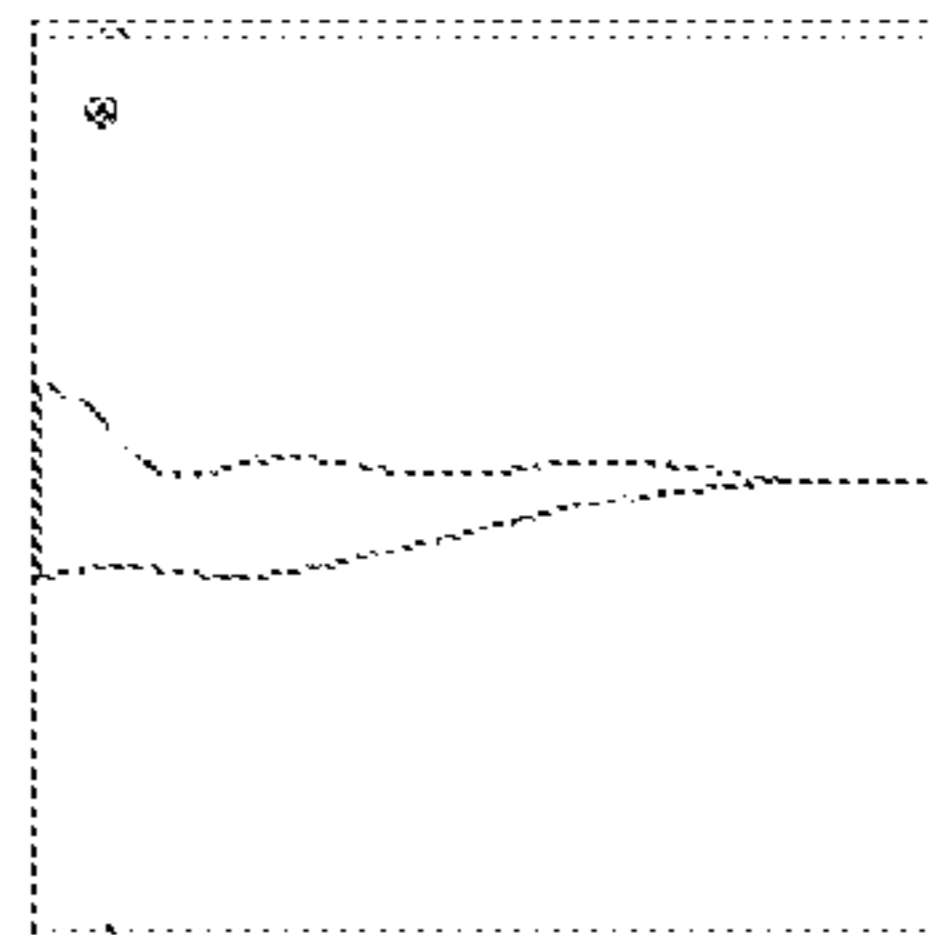


FIG. 8

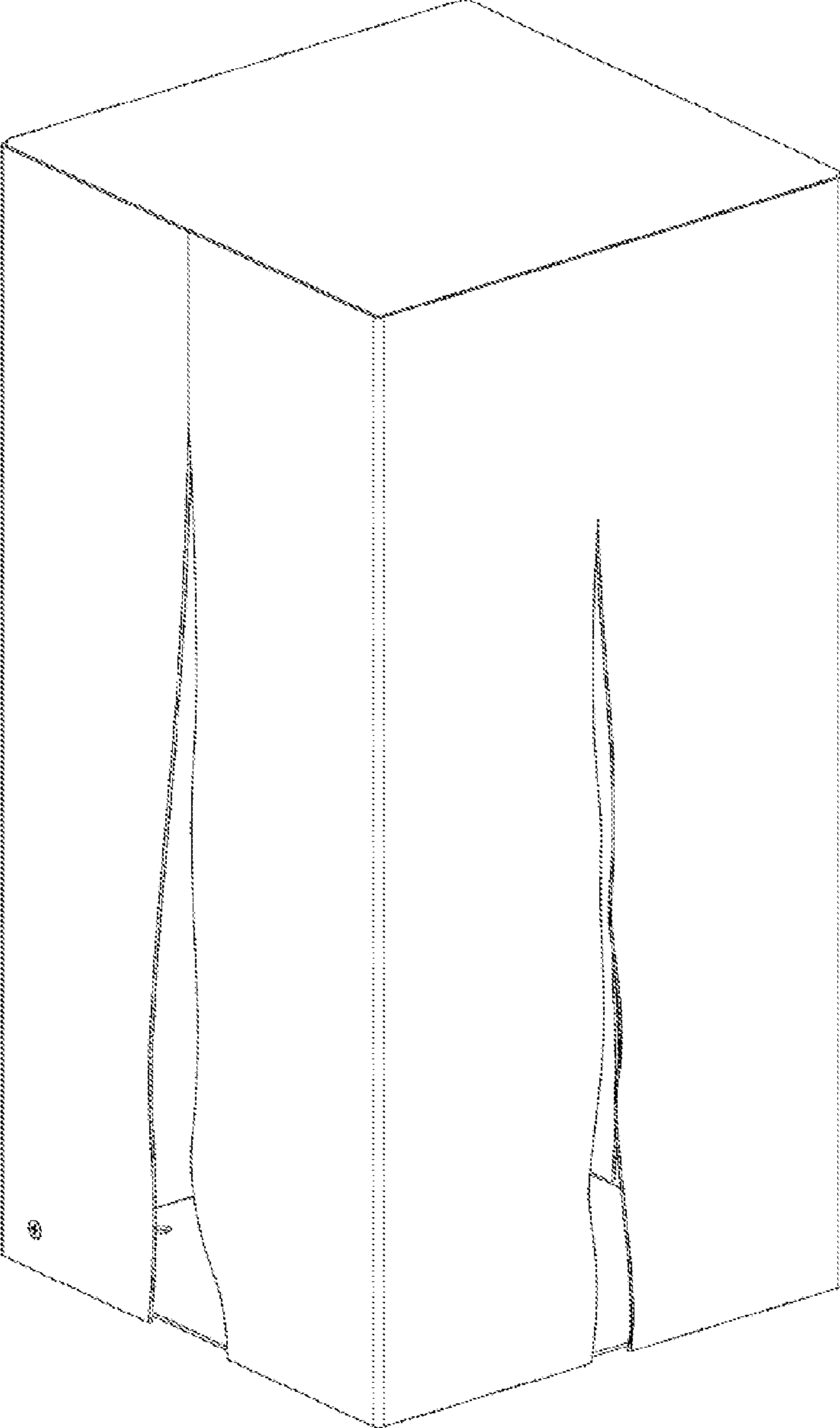


FIG. 9

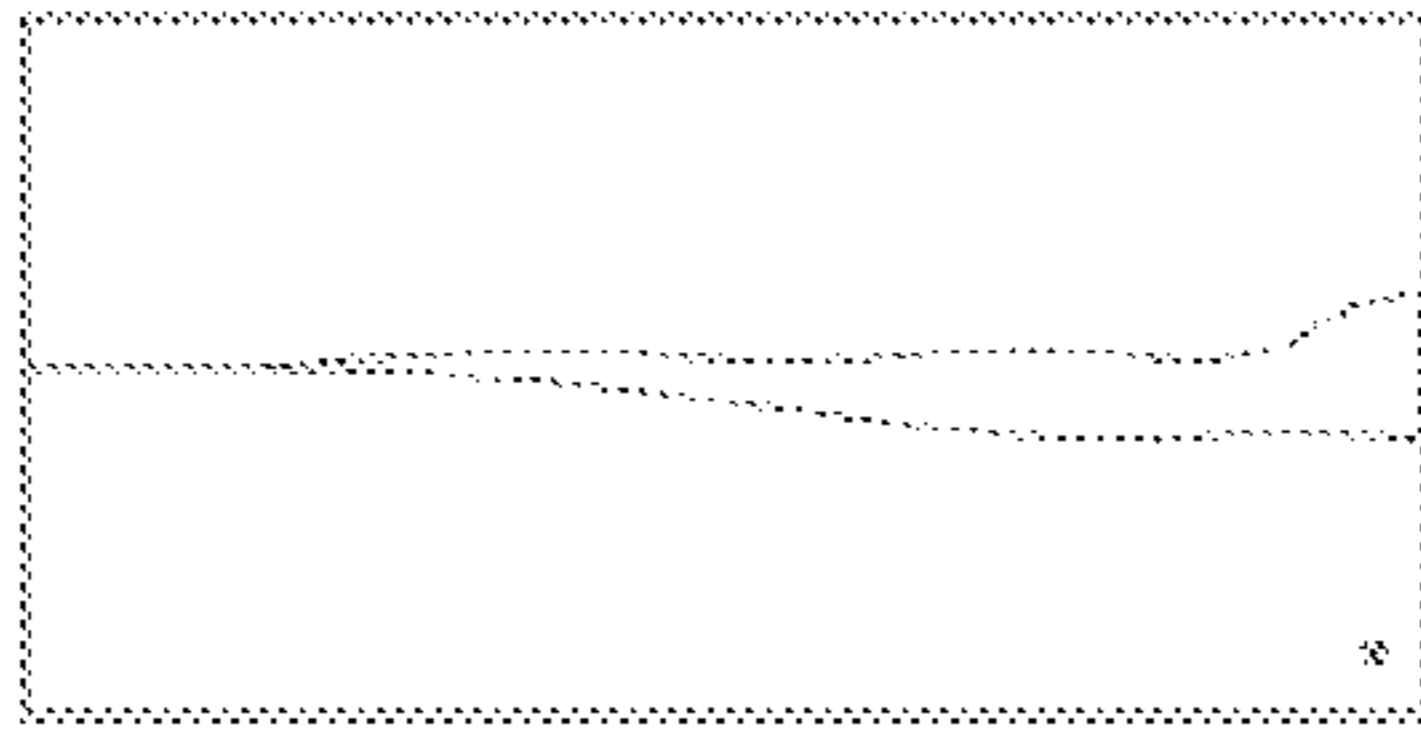


FIG. 10

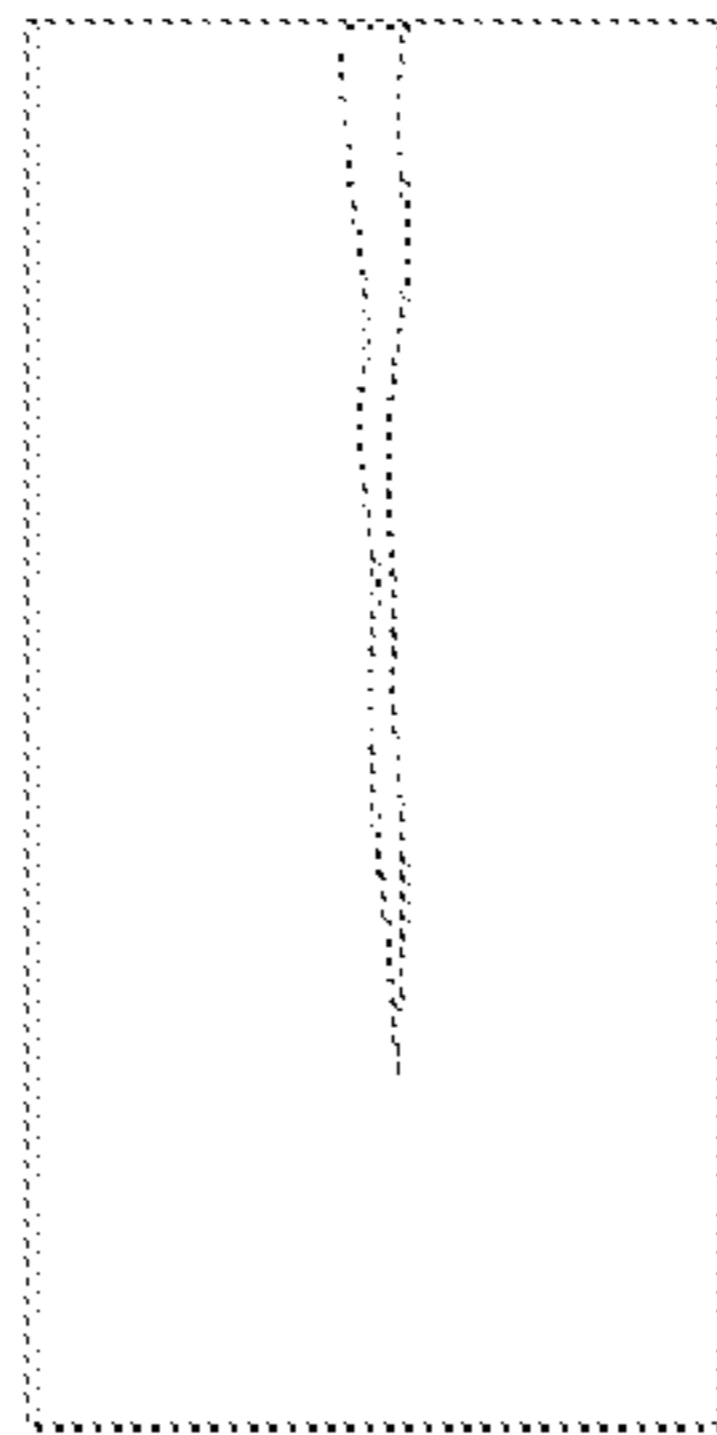


FIG. 11



FIG. 12

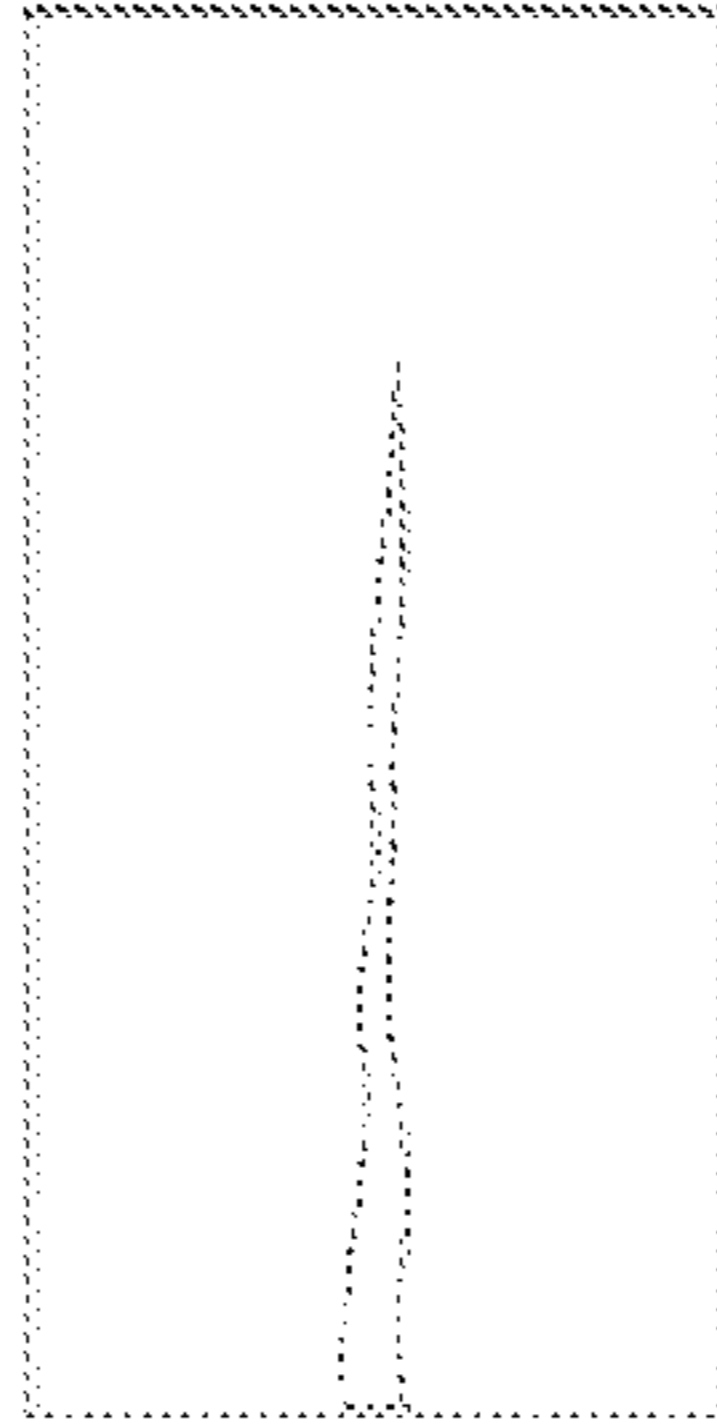


FIG. 13

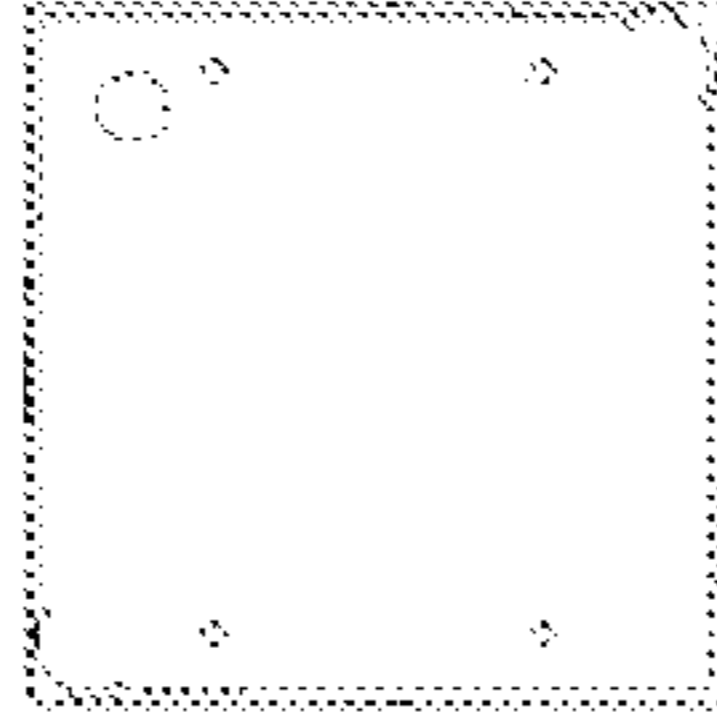


FIG. 14

