



US00D676995S

(12) **United States Design Patent**
Ho et al.

(10) **Patent No.:** **US D676,995 S**

(45) **Date of Patent:** **** *Feb. 26, 2013**

(54) **OUTDOOR LIGHT FIXTURE**

(75) Inventors: **Ka Kin Ho**, Tsuen Wan (CN); **Jack Lockhart**, Birmingham, AL (US); **Brandon Kyle Gleaton**, Dallas, TX (US)

(73) Assignee: **J. Baxter Brinkmann International Corporation**, Dallas, TX (US)

(*) Notice: This patent is subject to a terminal disclaimer.

(**) Term: **14 Years**

(21) Appl. No.: **29/394,555**

(22) Filed: **Jun. 17, 2011**

(51) **LOC (9) Cl.** **26-05**

(52) **U.S. Cl.** **D26/67; D26/85**

(58) **Field of Classification Search** D26/67, D26/68, 69, 70, 72, 85, 86, 89, 118, 128, D26/129; 362/147, 183, 431, 432, 362
See application file for complete search history.

(56) **References Cited**

U.S. PATENT DOCUMENTS

D106,835	S	*	11/1937	Stewart	D26/102
D153,809	S		5/1949	Kirk		
D179,337	S		12/1956	Brown		
D191,128	S	*	8/1961	Curtin et al.	D26/67
D191,534	S		10/1961	Curtin et al.		
D193,206	S	*	7/1962	Guggemos	D26/68
D193,407	S	*	8/1962	Pettengill	D26/67
D195,990	S		8/1963	Pettengill		
D199,267	S		9/1964	Harling et al.		
4,996,636	A		2/1991	Lovett		
D382,662	S	*	8/1997	Shalvi	D26/68
5,692,828	A	*	12/1997	Chung	362/431
D416,347	S	*	11/1999	Klaus	D26/86
6,357,892	B1	*	3/2002	Beadle	362/267

D456,547	S	*	4/2002	Leen	D26/67
6,422,717	B1		7/2002	Beadle		
D464,456	S	*	10/2002	Chang	D26/67
D494,698	S		8/2004	Hon et al.		
D499,503	S		12/2004	Hon et al.		
6,874,905	B1		4/2005	Beadle		
D557,849	S	*	12/2007	Chen	D26/67
7,387,409	B1		6/2008	Beadle		
D630,363	S	*	1/2011	Sooferian	D26/68
D653,383	S	*	1/2012	Parker et al.	D26/118

OTHER PUBLICATIONS

Three Tiered Black Outdoor Landscape Pagoda Light, at Internet website <http://www.lampsplus.com>, printed Sep. 28, 2010 (1 pg.).
Acid Verde Low Voltage Landscape Light, at Internet website <http://www.lampsplus.com>, printed Sep. 28, 2010 (1 pg.).
Focus Industries AL-15 Tiki Hat Area Pathway Light, at Internet website <http://www.lightinguniverse.com>, printed Sep. 28, 2010 (1 pg.).

* cited by examiner

Primary Examiner — Clare E Heflin

(74) *Attorney, Agent, or Firm* — Sheppard, Mullin, Richter & Hampton LLP

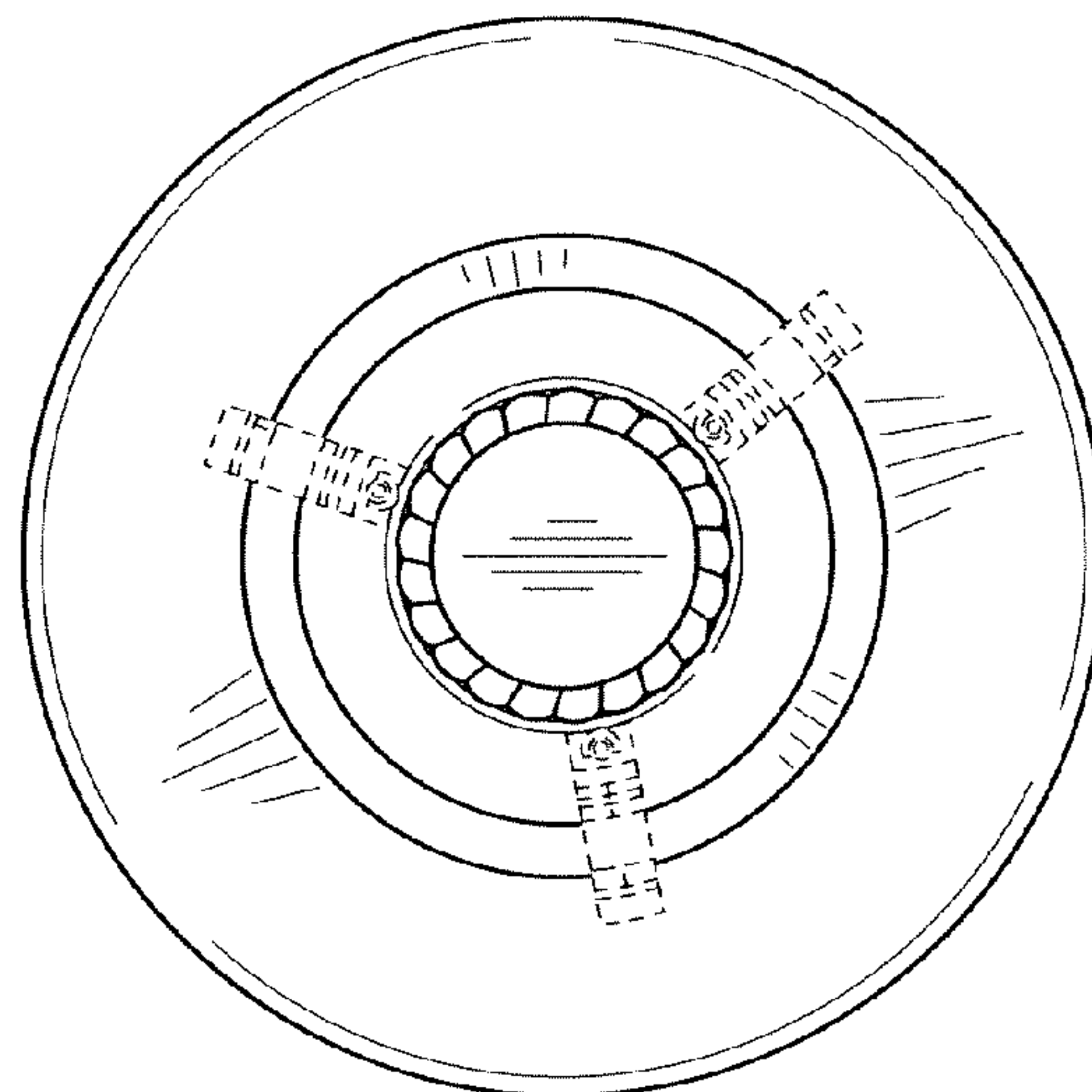
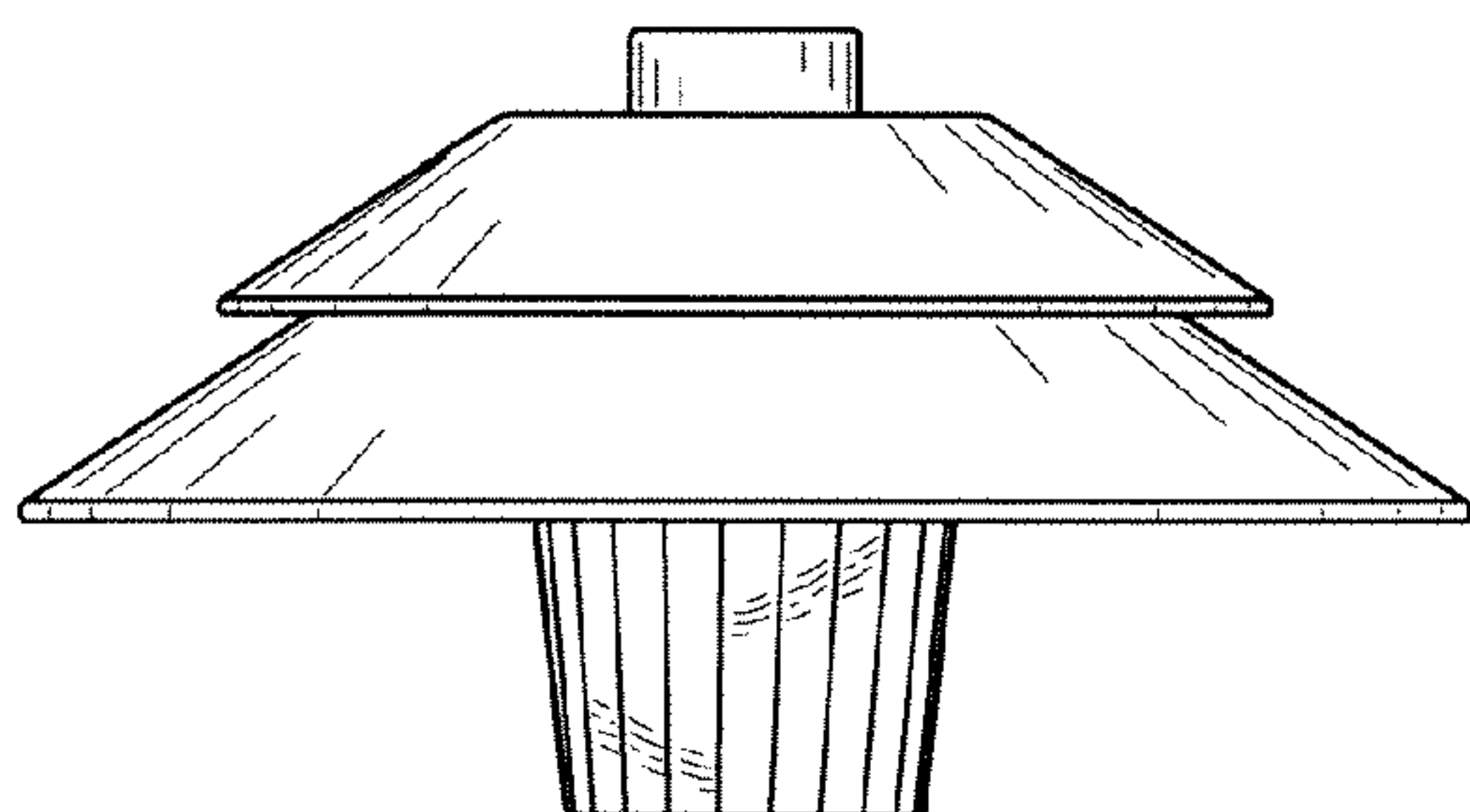
(57) **CLAIM**

We claim the ornamental design for an outdoor light fixture, as shown and described.

DESCRIPTION

FIG. 1 is a front elevational view of the outdoor light fixture showing the new design;
FIG. 2 is a rear elevational view thereof;
FIG. 3 is a left side elevational view thereof;
FIG. 4 is a right side elevational view thereof;
FIG. 5 is a top plan view thereof; and,
FIG. 6 is a bottom plan view thereof.
The broken lines shown represent unclaimed subject matter and form no part of the claimed design.

1 Claim, 2 Drawing Sheets



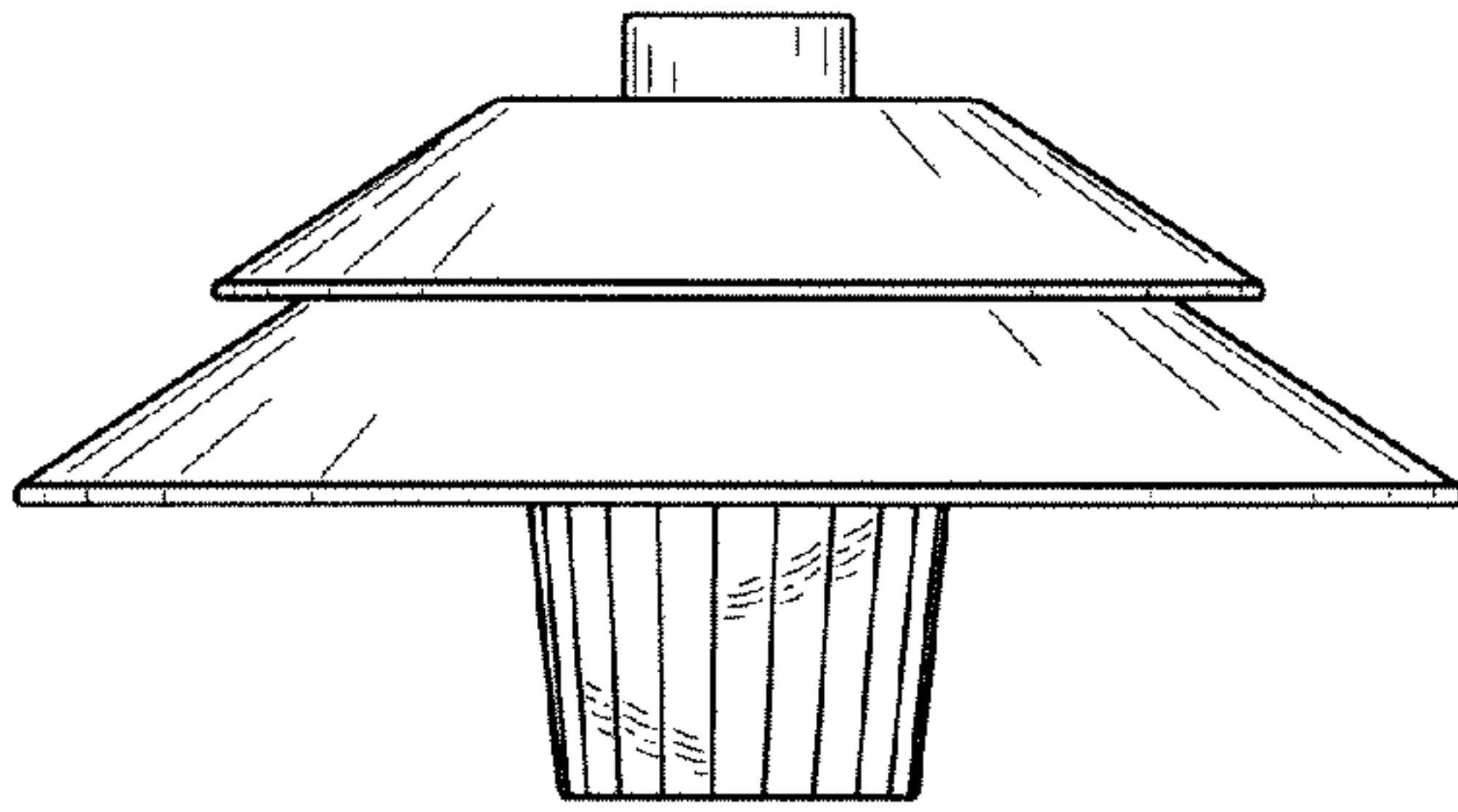


FIG. 1

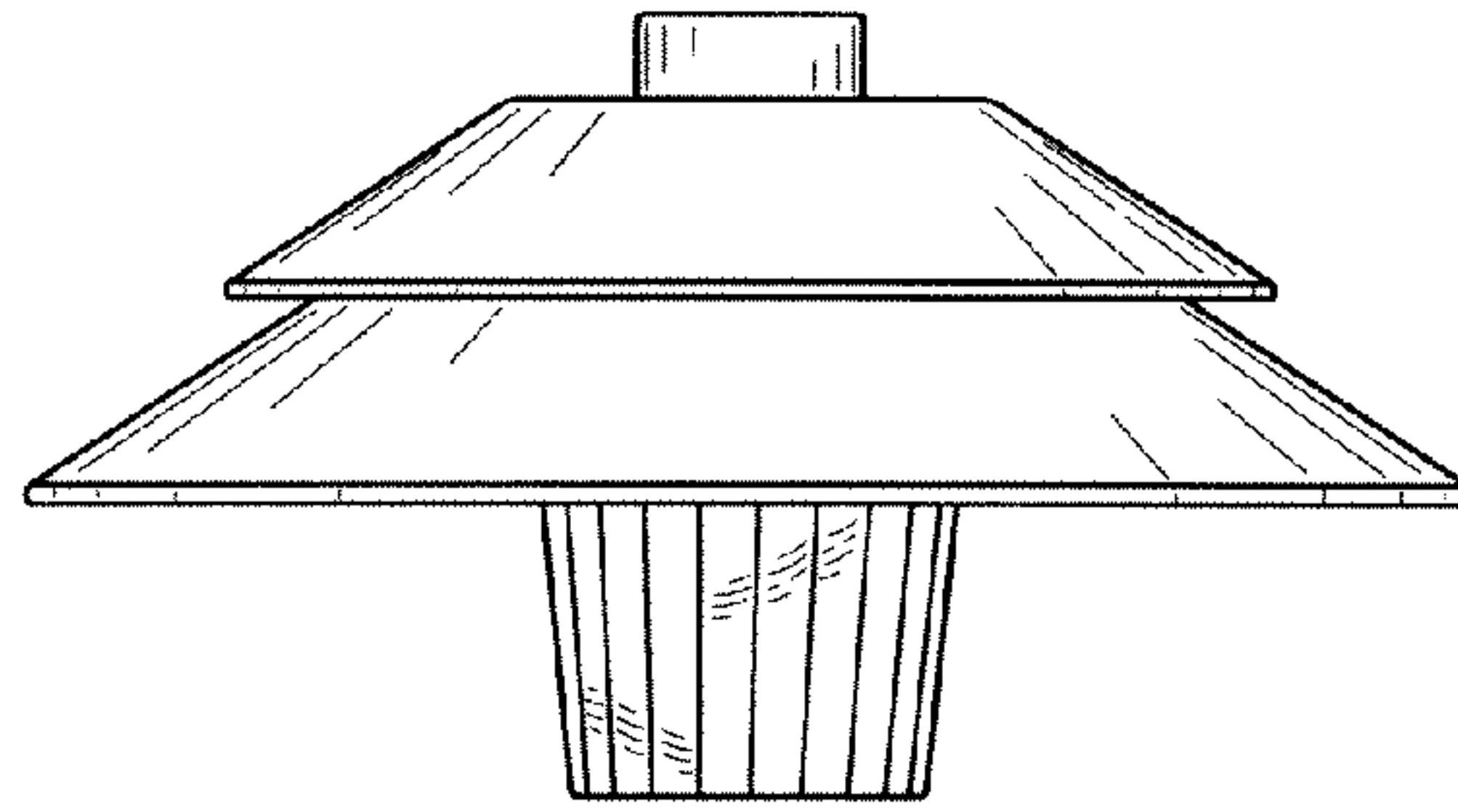


FIG. 2

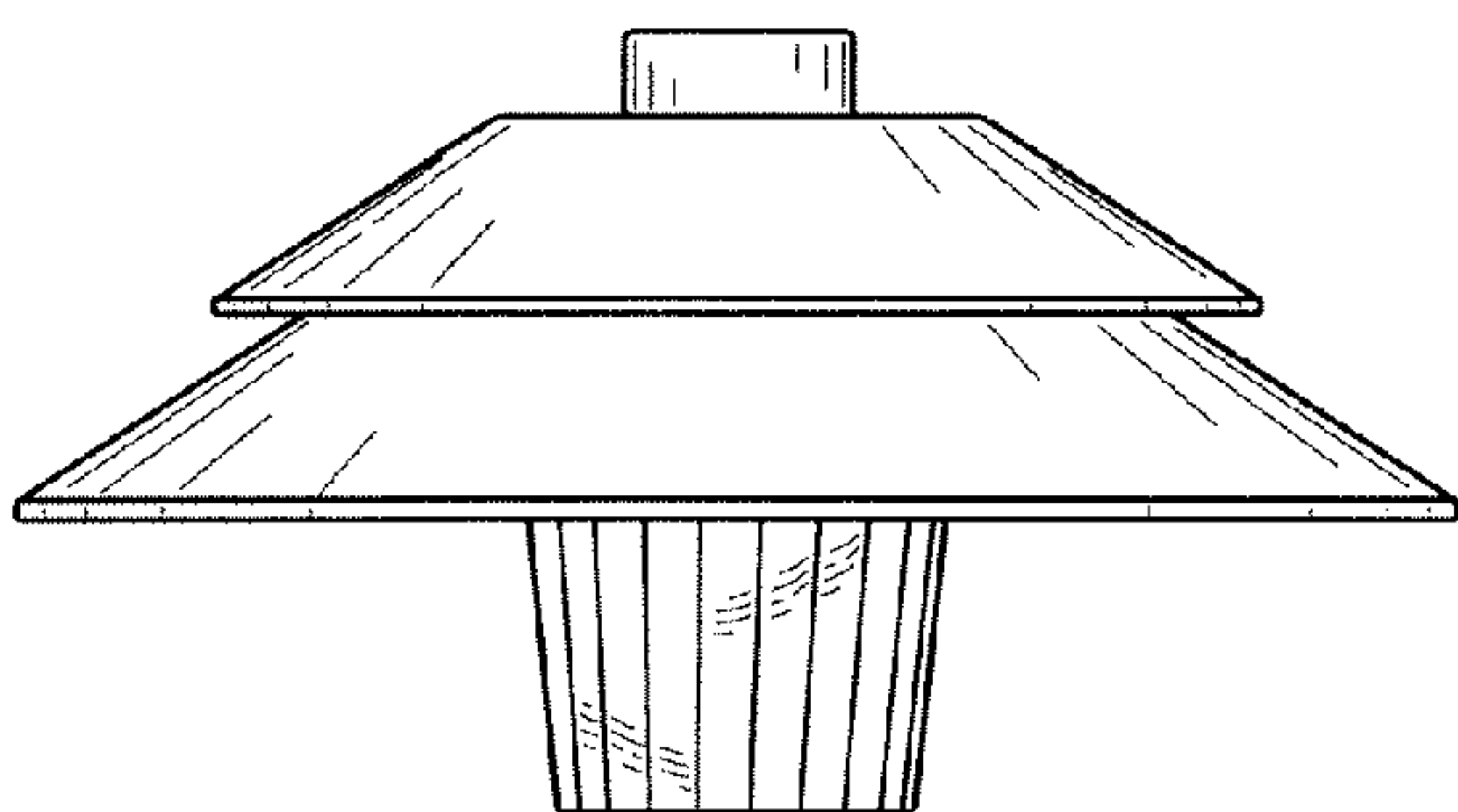


FIG. 3

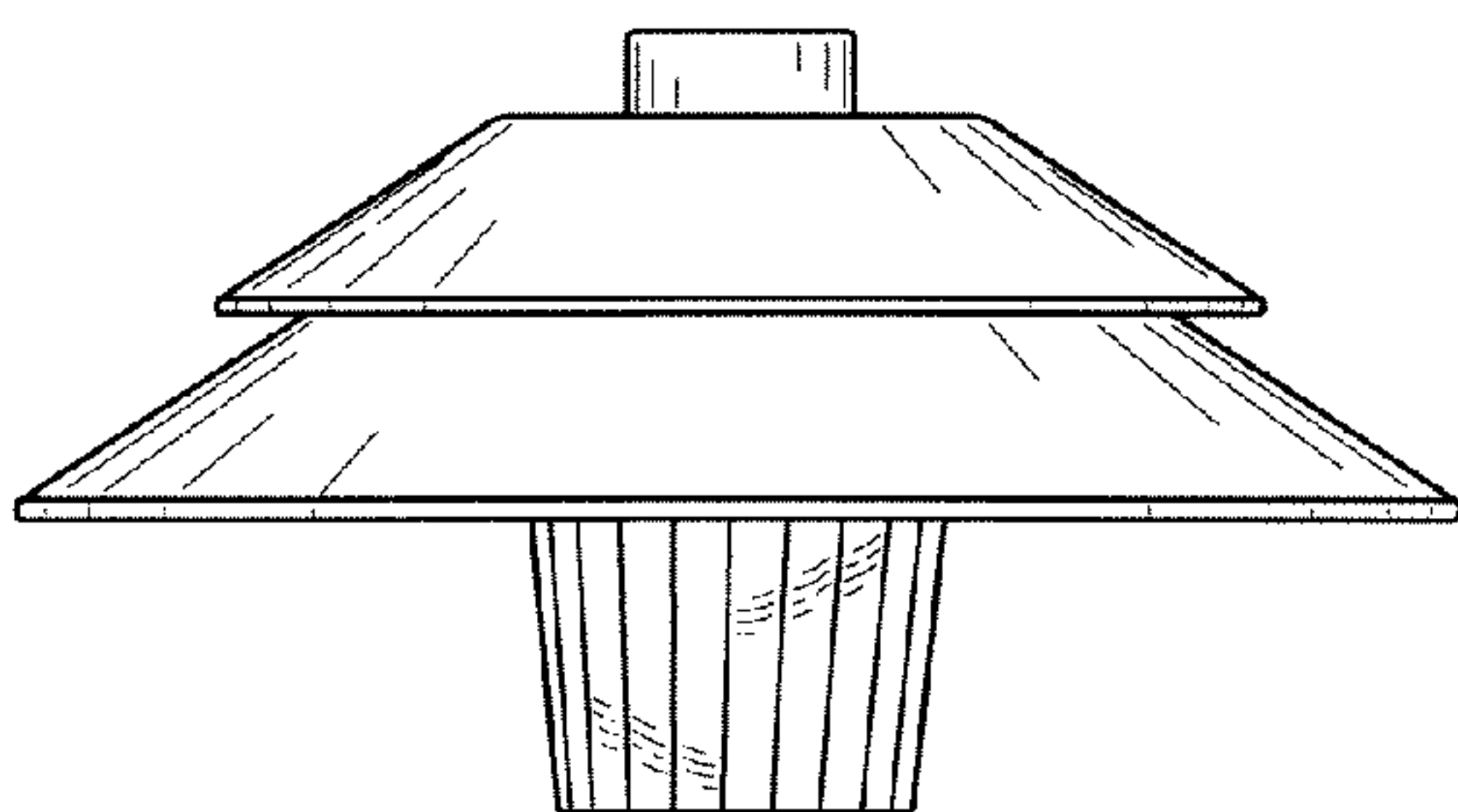


FIG. 4

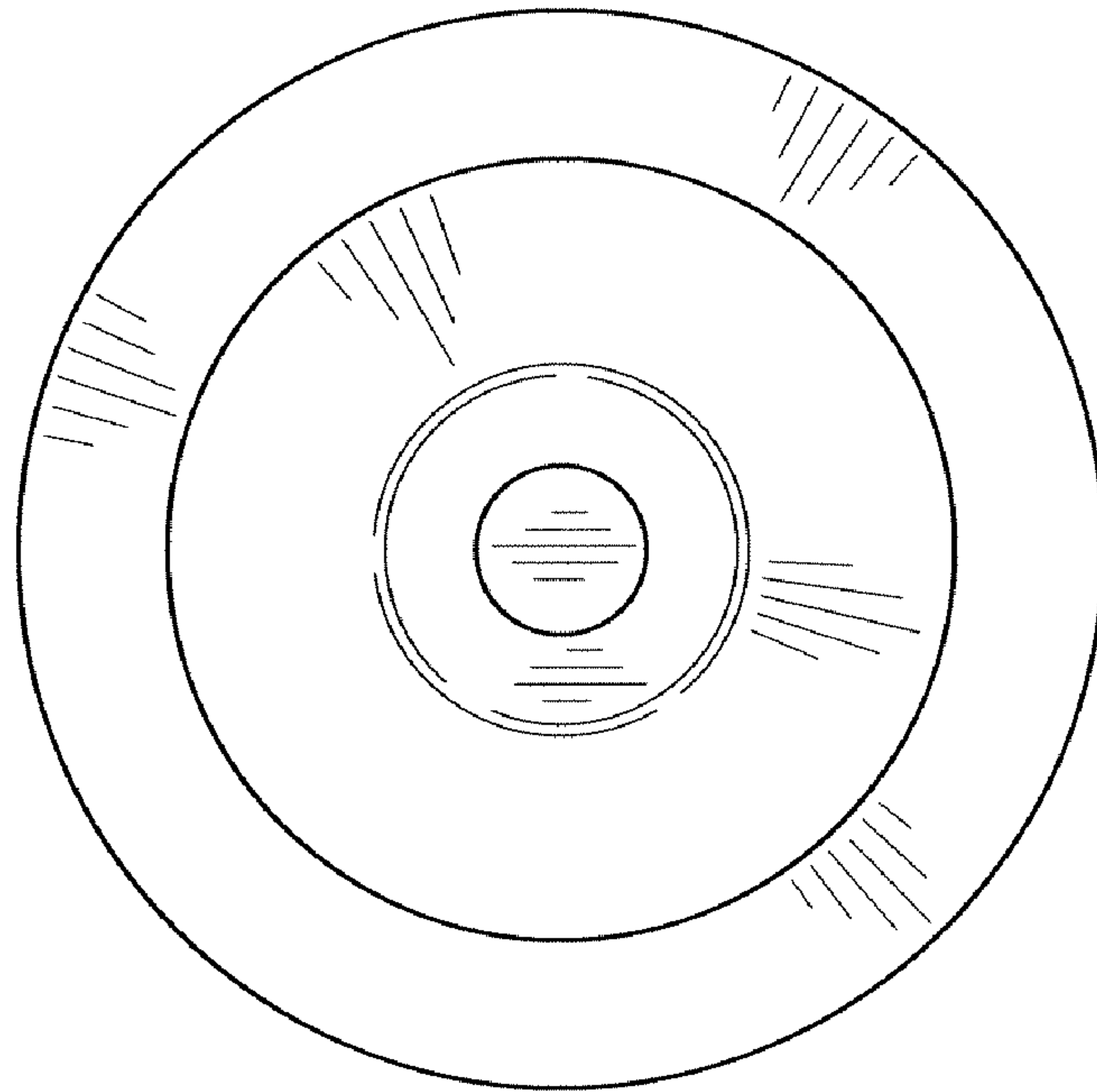


FIG. 5

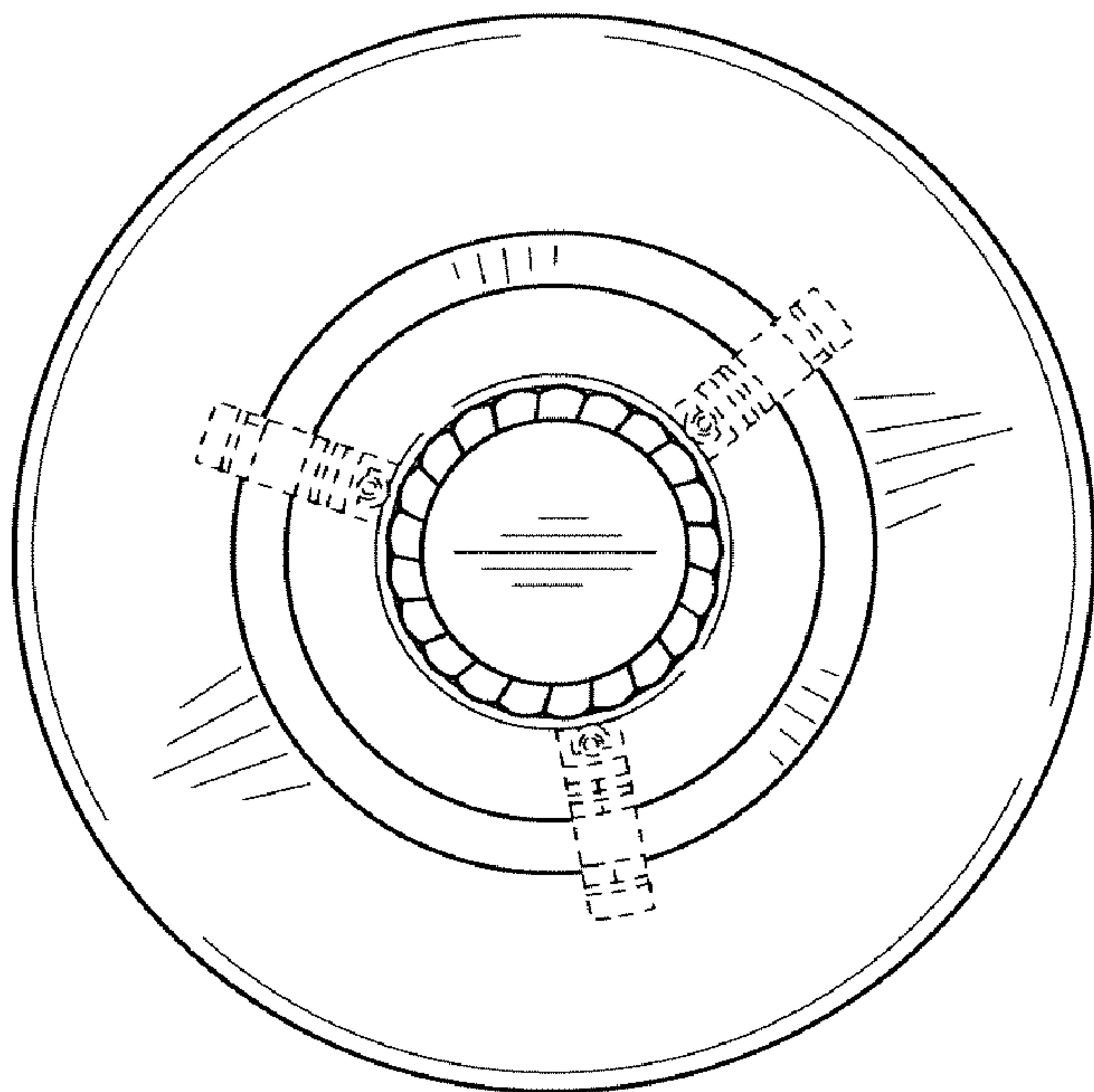


FIG. 6