



US00D676991S

(12) **United States Design Patent**
Araujo et al.

(10) **Patent No.:** **US D676,991 S**
(45) **Date of Patent:** **** Feb. 26, 2013**

(54) **WEARABLE LIGHTING DEVICE**
(75) Inventors: **Luis Araujo**, Las Vegas, NV (US);
Kevin Skehan, Las Vegas, NV (US);
Douglas J. Port, Huntington Beach, CA
(US); **John W. Matthews**, Newport
Beach, CA (US)

(73) Assignee: **SureFire, LLC**, Fountain Valley, CA
(US)

(**) Term: **14 Years**

(21) Appl. No.: **29/410,915**

(22) Filed: **Jan. 13, 2012**

(51) **LOC (9) Cl.** **26-02**

(52) **U.S. Cl.** **D26/39**

(58) **Field of Classification Search** D26/37,
D26/38, 39, 46, 49, 60; 362/157, 158, 184,
362/194-208

See application file for complete search history.

(56) **References Cited**

U.S. PATENT DOCUMENTS

2,805,326	A *	9/1957	Schwartz	362/103
4,319,309	A	3/1982	Benoit		
4,425,600	A	1/1984	Barnhart		
D324,579	S *	3/1992	Crabtree, Jr.	D26/39
5,191,197	A	3/1993	Metlitsky et al.		
5,193,896	A *	3/1993	Oberlander	362/103
D353,012	S	11/1994	Mihavetz		
D361,143	S	8/1995	Helvey		
D362,736	S	9/1995	Leather		
5,580,154	A	12/1996	Coulter et al.		
5,904,280	A	5/1999	Chan		
6,213,619	B1	4/2001	Yu		
6,550,930	B1	4/2003	Portouche		
D485,382	S	1/2004	Palm		
D500,377	S *	12/2004	Yamamoto et al.	D26/39
7,023,763	B2	4/2006	Galli		
D524,974	S *	7/2006	Zernov	D26/60
D525,734	S *	7/2006	Shiao	D26/39
D526,079	S	8/2006	Heun		
D531,335	S	10/2006	Garrity		
D556,927	S *	12/2007	Shiu	D26/39
7,303,306	B2	12/2007	Ross et al.		

D560,008	S *	1/2008	Poon	D26/39
D567,975	S	4/2008	Wright et al.		
7,399,099	B2	7/2008	Stokes		
D579,133	S	10/2008	Shiu		
D596,325	S	7/2009	Barbour		
D605,319	S	12/2009	Devaney et al.		
D608,485	S	1/2010	Liao et al.		
D615,678	S *	5/2010	DeBrunner	D26/39
D615,680	S	5/2010	Kim		
7,815,334	B2	10/2010	Sherman		
D649,272	S	11/2011	Araujo et al.		
D658,323	S *	4/2012	Freschl	D26/39
8,157,401	B2 *	4/2012	Lau	362/105
2001/0048596	A1	12/2001	Kerr		
2003/0002297	A1	1/2003	Nemtsev		
2005/0018544	A1 *	1/2005	Galli	368/67
2005/0254229	A1	11/2005	Hamade et al.		

(Continued)

OTHER PUBLICATIONS

U.S. Appl. No. 12/960,376, filed Dec. 3, 2010, inventors: Araujo et al.

(Continued)

Primary Examiner — Ian Simmons

Assistant Examiner — Carissa C Fitts

(74) *Attorney, Agent, or Firm* — Haynes & Boone, LLP

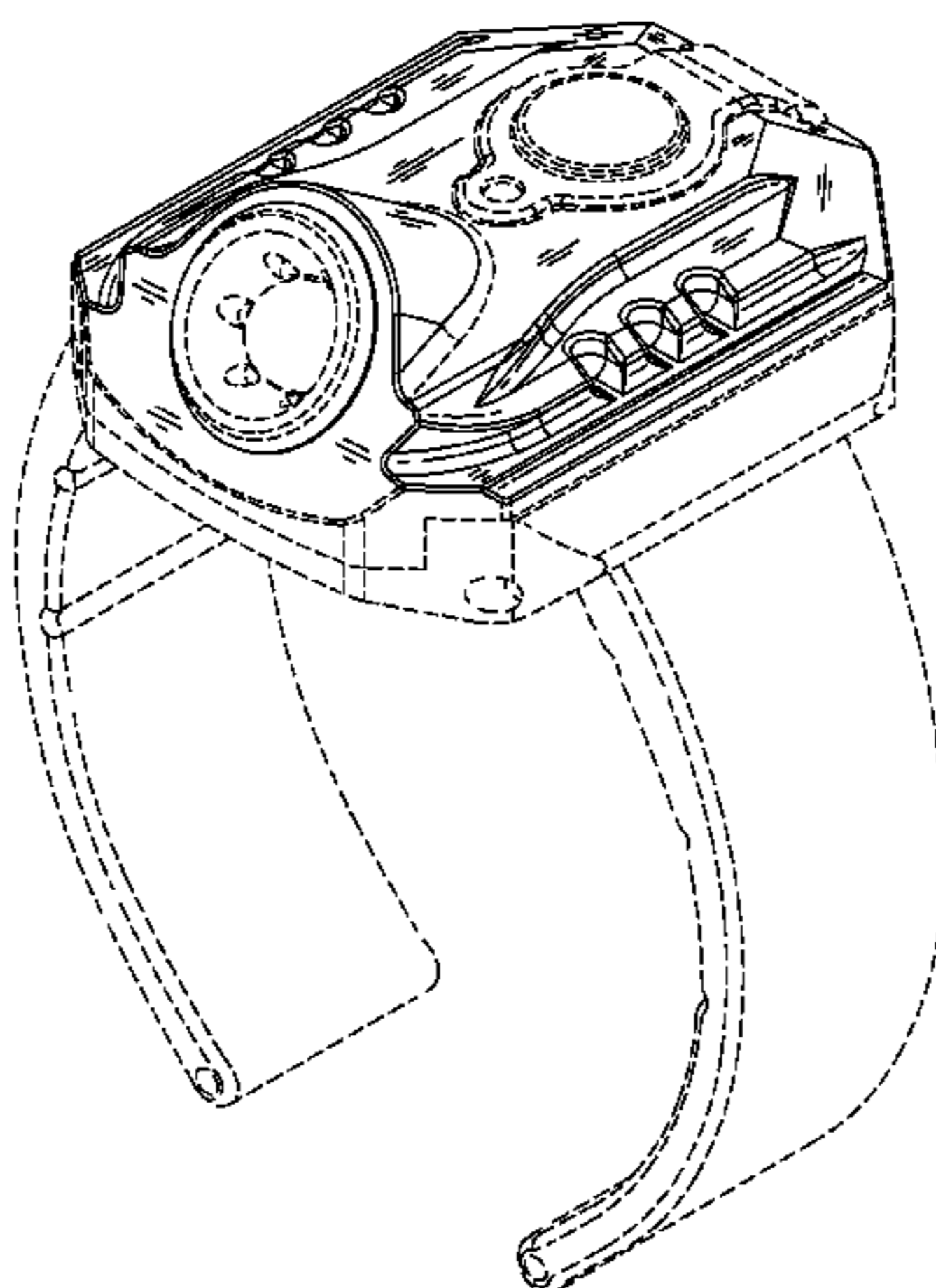
(57) **CLAIM**

The ornamental design for a wearable lighting device, as shown and described.

DESCRIPTION

FIG. 1 is a front perspective view of a wearable lighting device showing the new design;
FIG. 2 is a rear perspective view thereof;
FIG. 3 is a front side elevational view thereof;
FIG. 4 is a rear side elevational view thereof;
FIG. 5 is a right side elevational view thereof;
FIG. 6 is a left side elevational view thereof;
FIG. 7 is a top plan view thereof; and,
FIG. 8 is a bottom plan view thereof.
The broken lines in the drawings illustrate environmental features and form no part of the claimed design.

1 Claim, 8 Drawing Sheets



US D676,991 S

Page 2

U.S. PATENT DOCUMENTS

2007/0058362 A1 3/2007 Winfrey
2007/0147025 A1 6/2007 Shirey
2007/0279894 A1 12/2007 Esses
2008/0062676 A1 3/2008 Masuda
2009/0108039 A1 4/2009 Sherman
2009/0167542 A1 7/2009 Culbert et al.
2009/0284216 A1 11/2009 Bessa et al.

OTHER PUBLICATIONS

U.S. Appl. No. 29/410,911, filed Jan. 13, 2012, inventors: Araujo et al.

* cited by examiner

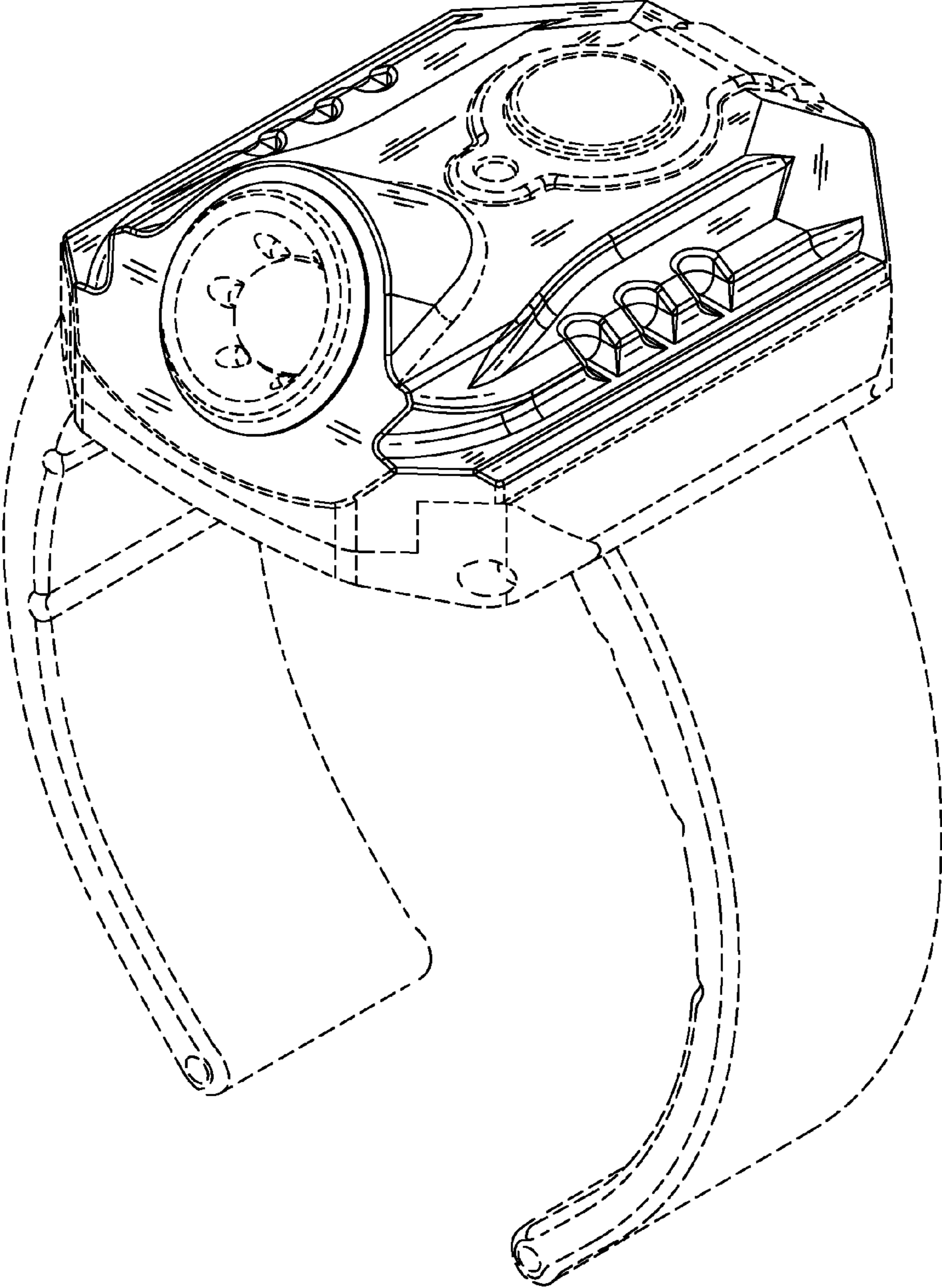


FIG. 1

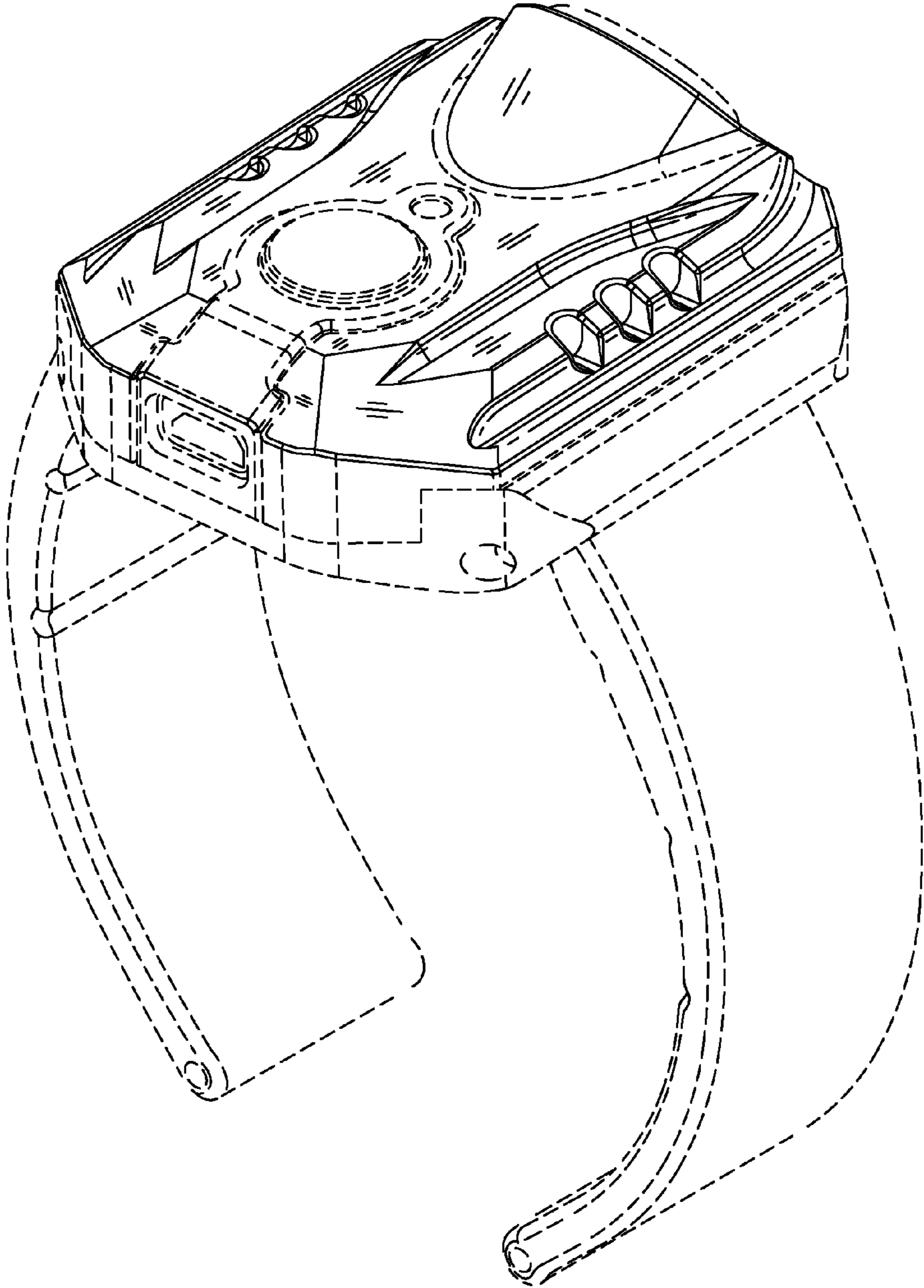


FIG. 2

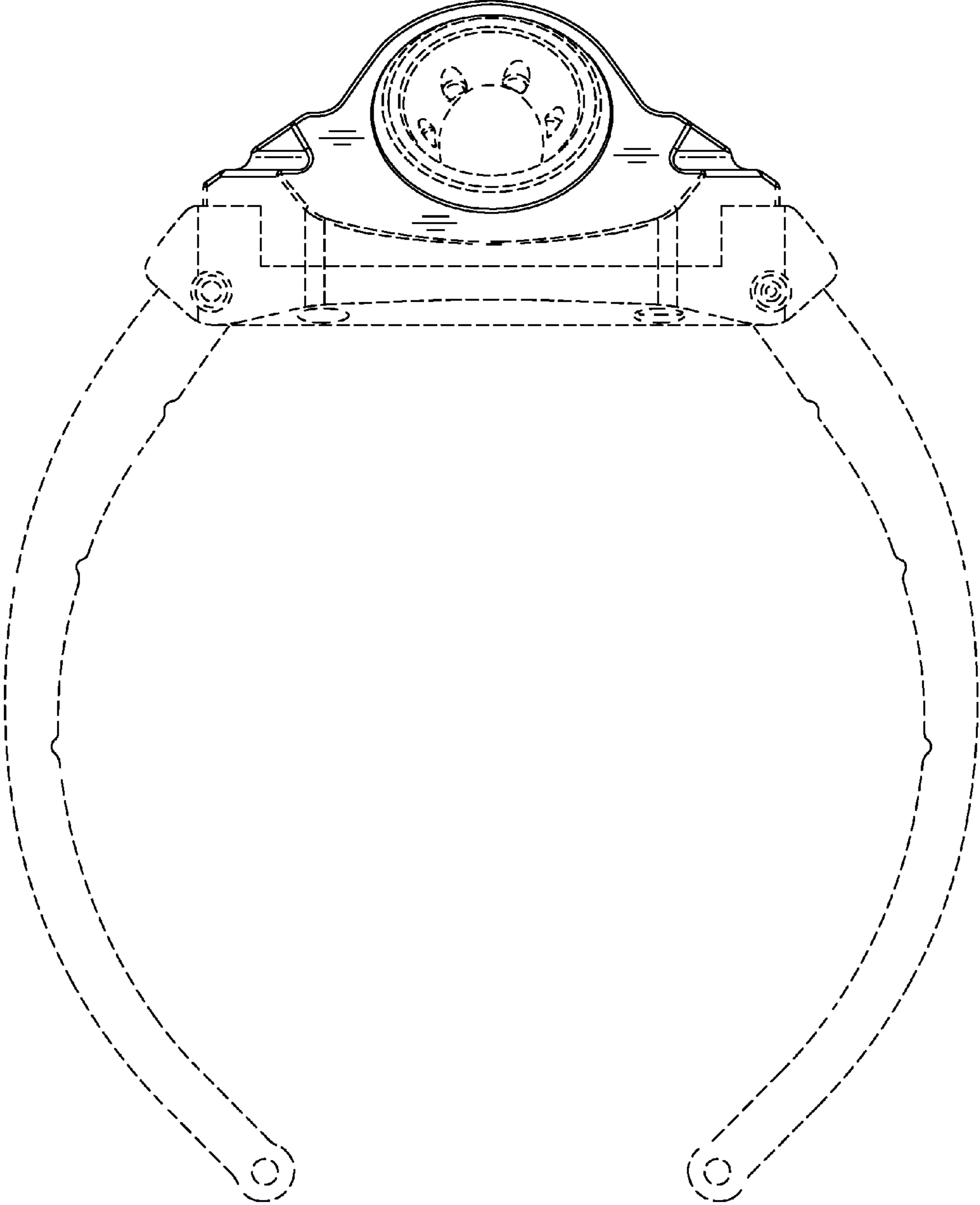


FIG. 3

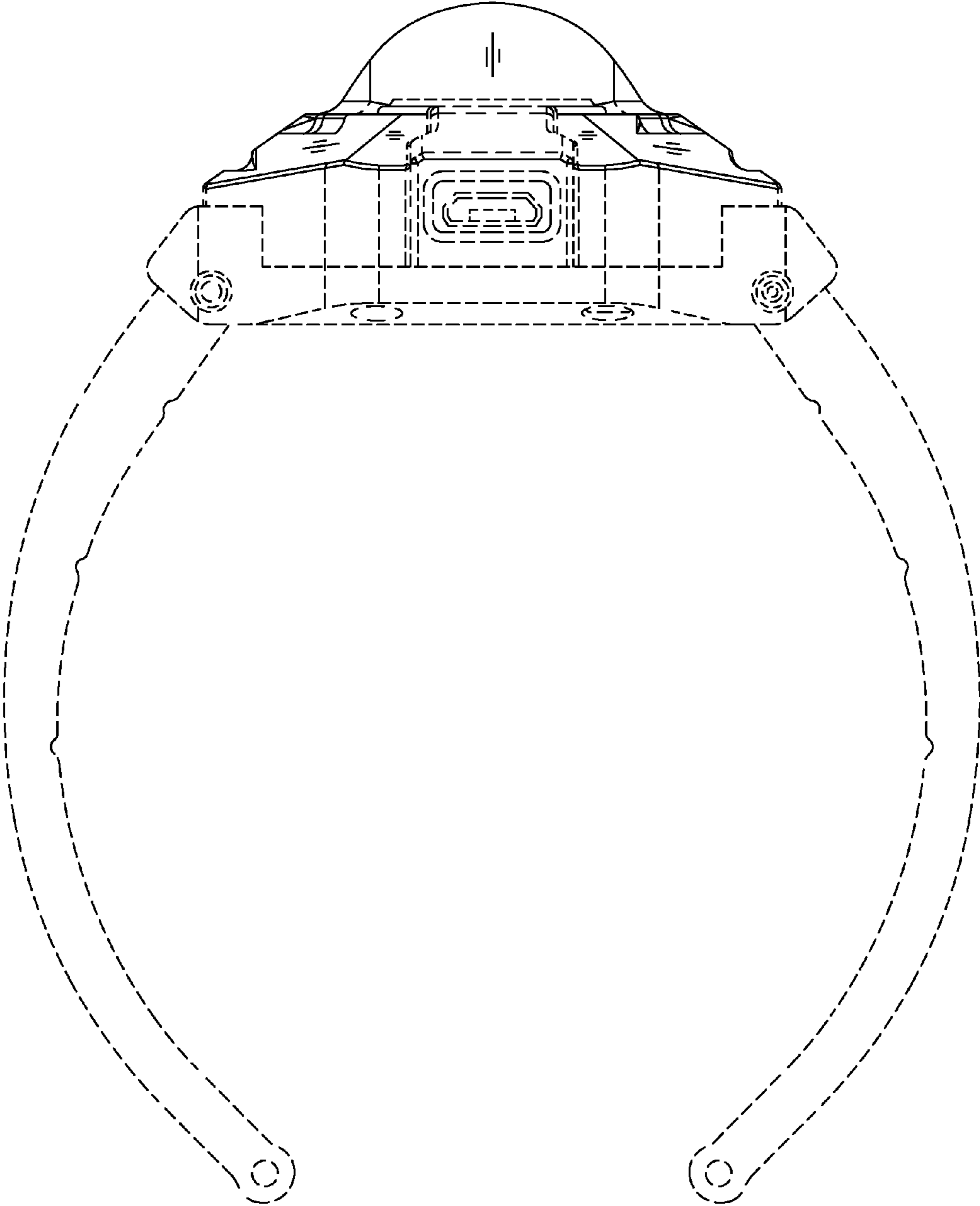


FIG. 4

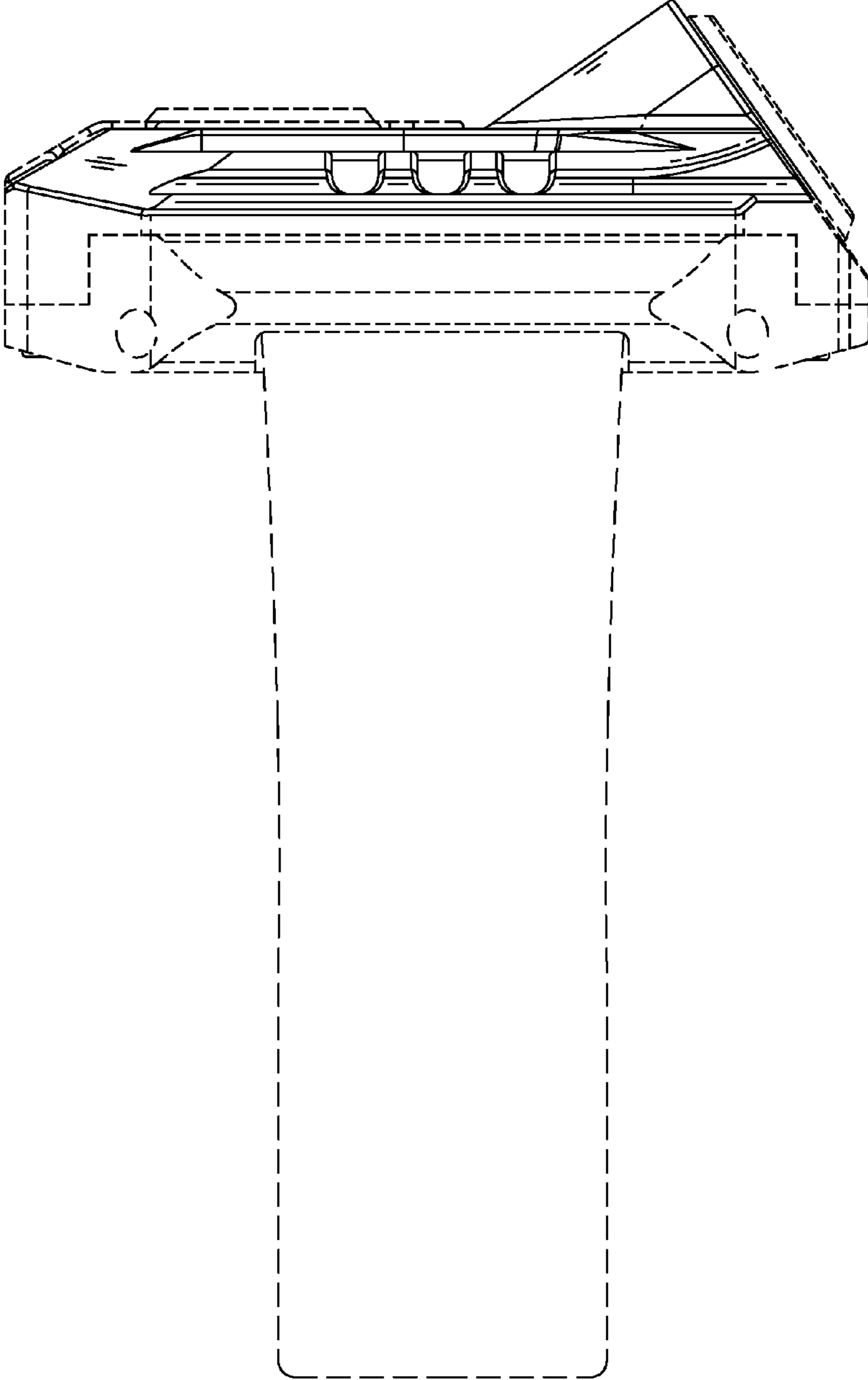


FIG. 5

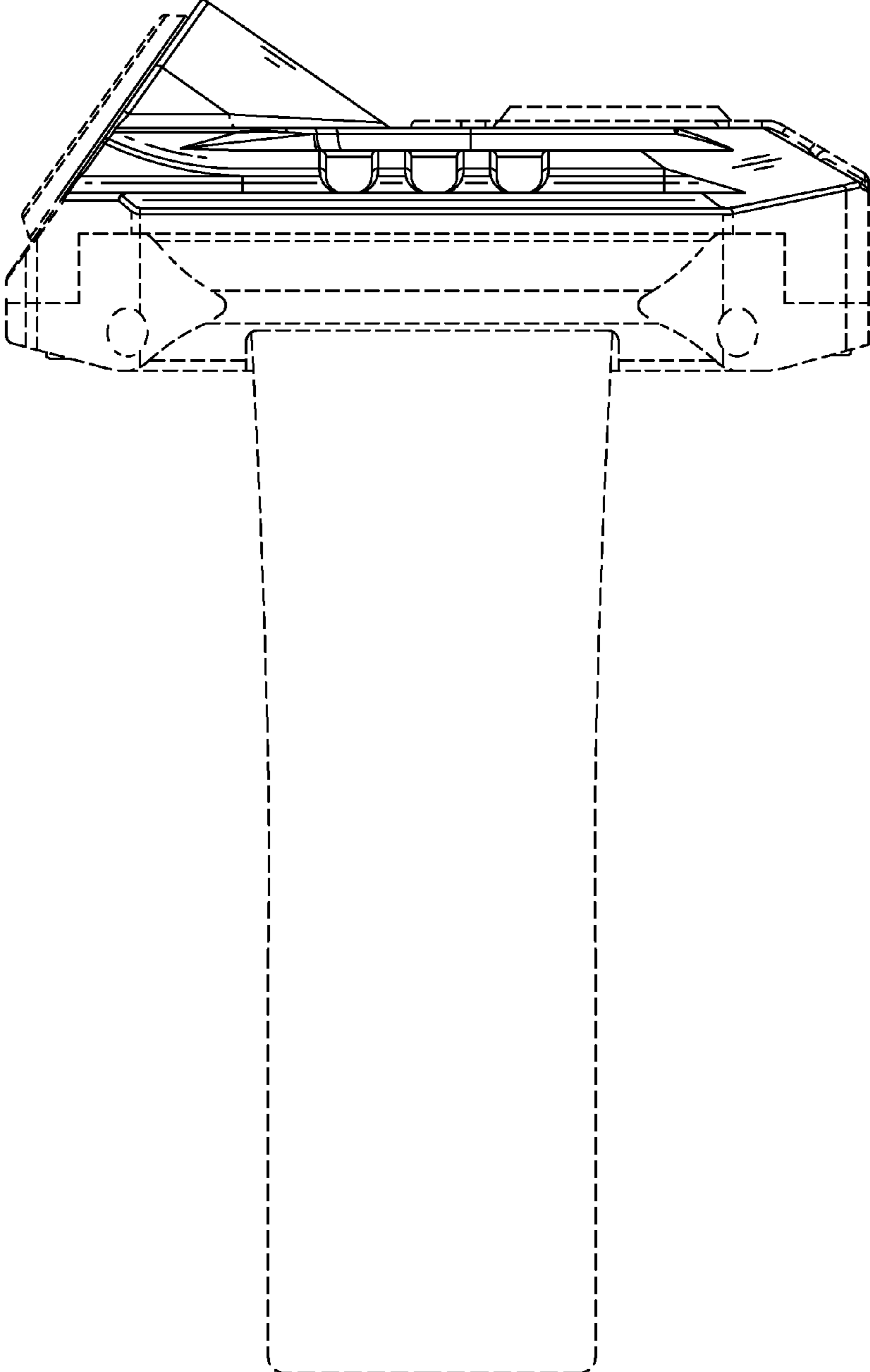


FIG. 6

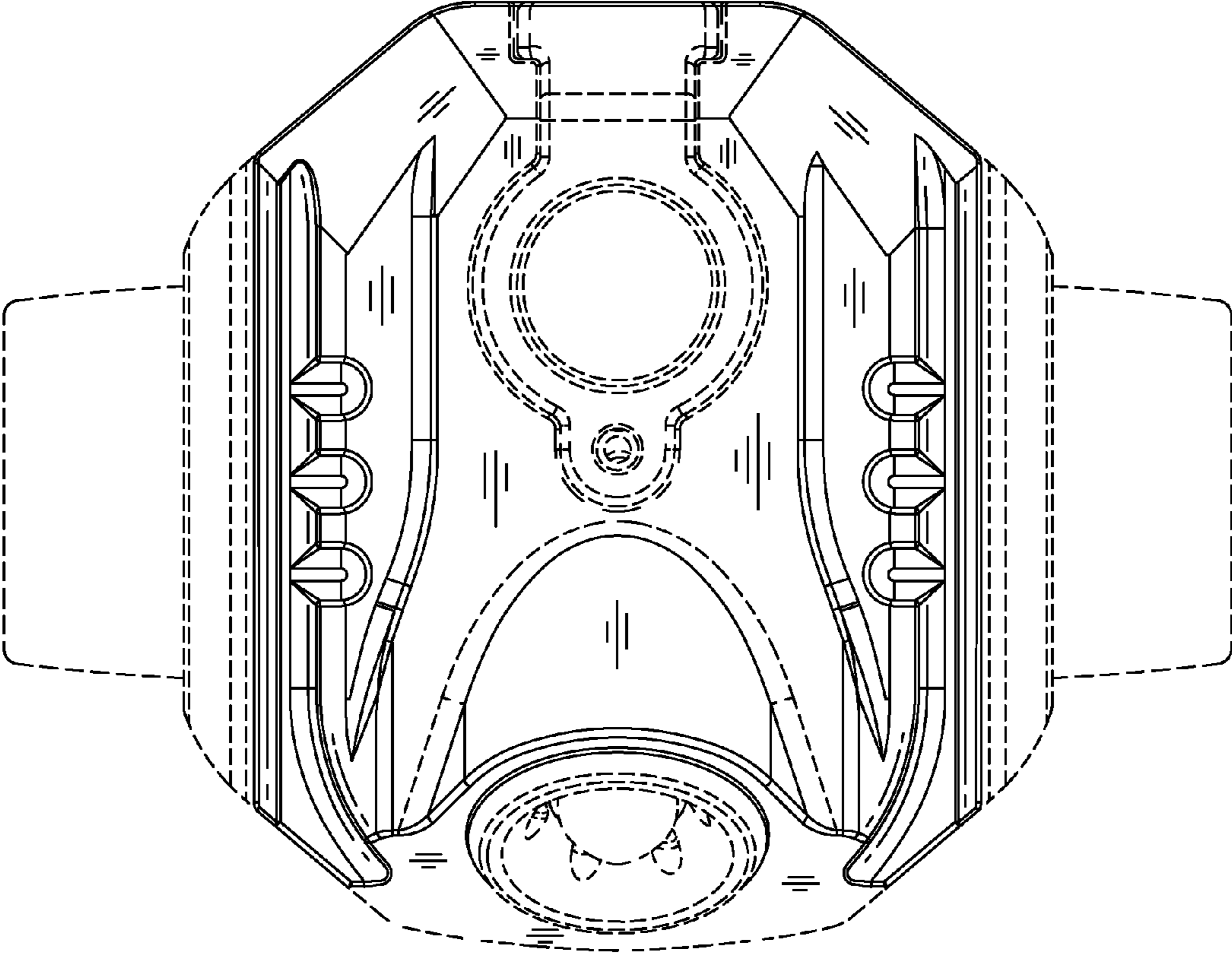


FIG. 7

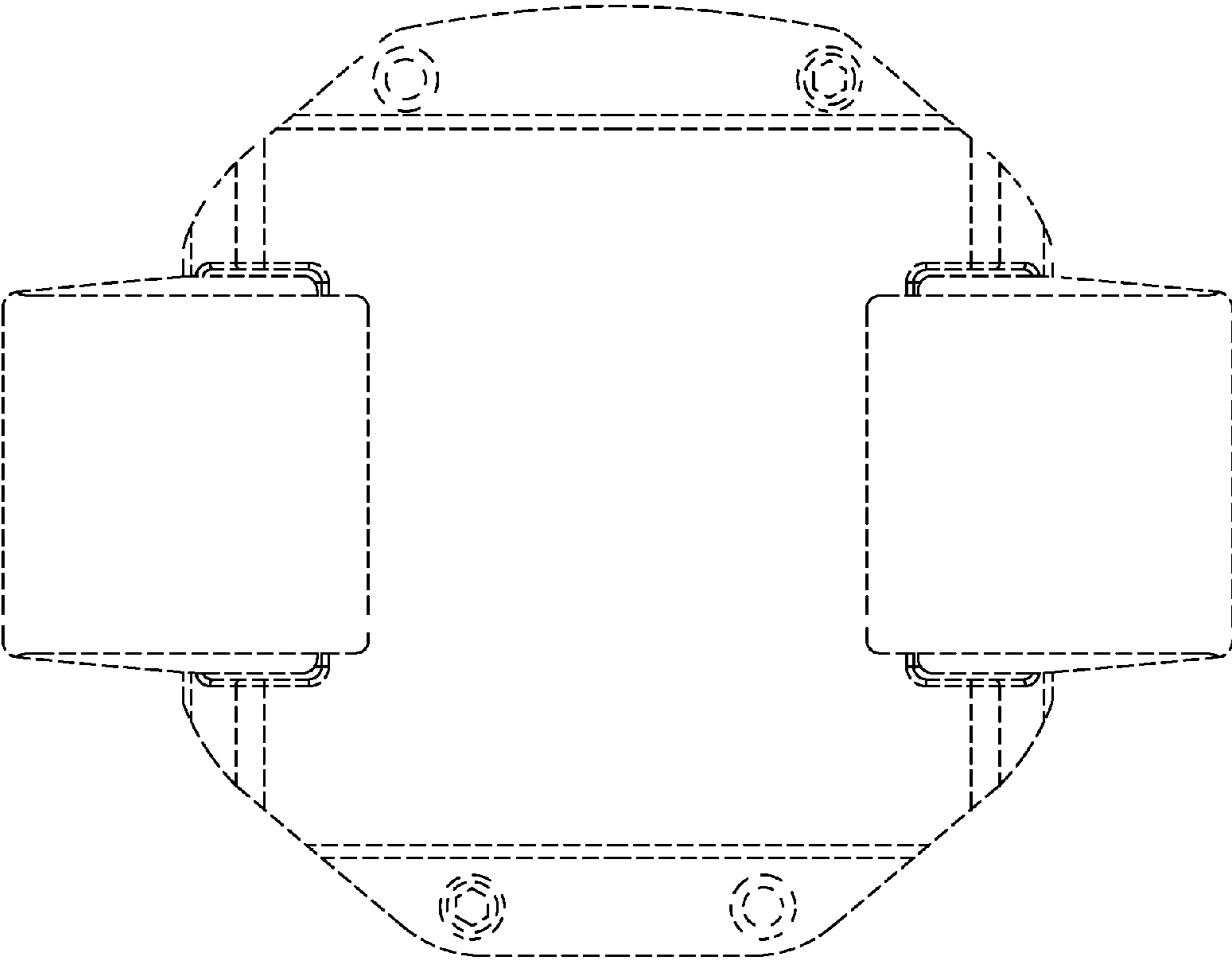


FIG. 8