



US00D676990S

(12) **United States Design Patent**
Adams

(10) **Patent No.:** **US D676,990 S**
(45) **Date of Patent:** **** Feb. 26, 2013**

(54) **VEHICLE LED LIGHTING FIXTURE**

(75) Inventor: **Stephen Adams**, Mesa, AZ (US)

(73) Assignee: **JST Performance Inc.**, Mesa, AZ (US)

(**) Term: **14 Years**

(21) Appl. No.: **29/402,185**

(22) Filed: **Sep. 21, 2011**

(51) **LOC (9) Cl.** **26-06**

(52) **U.S. Cl.** **D26/31**

(58) **Field of Classification Search** D26/28-36;
362/61, 80-83, 362, 459-468, 475-478,
362/485-487

See application file for complete search history.

(56) **References Cited**

U.S. PATENT DOCUMENTS

D331,472 S *	12/1992	Campbell	D26/31
D499,198 S *	11/2004	Cowan et al.	D26/31
D564,683 S *	3/2008	Roach et al.	D26/28
D656,258 S *	3/2012	Georgitsis et al.	D26/31

* cited by examiner

Primary Examiner — Marcus Jackson

(74) *Attorney, Agent, or Firm* — Marcus C. Dawes; Daniel L. Dawes

(57) **CLAIM**

The ornamental design for a vehicle LED lighting fixture, as shown and described.

DESCRIPTION

FIG. 1 is a perspective view of a vehicle LED lighting fixture, showing my new design.

FIG. 2 is a plan elevational view of the front side of the vehicle LED lighting fixture of FIG. 1.

FIG. 3 is a top view of the vehicle LED lighting fixture of FIG. 1.

FIG. 4 is a side view of the right side of the vehicle LED lighting fixture of FIG. 1.

FIG. 5 is a side view of the left side of the vehicle LED lighting fixture of FIG. 1.

FIG. 6 is a plan elevational view of the back side of the vehicle LED lighting fixture of FIG. 1.

FIG. 7 is a bottom view of the vehicle LED lighting fixture of FIG. 1.

FIG. 8 is a perspective view of another embodiment vehicle LED lighting fixture wherein the reflectors are circular in plan view.

FIG. 9 is a plan elevational view of the front side of the vehicle LED Lighting fixture of FIG. 8.

FIG. 10 is a reduced front elevational view of the vehicle LED lighting fixture which appears in FIG. 2;

FIG. 11 is a front elevational view of a second embodiment thereof, wherein the only difference resides in the elongation of the claimed design;

FIG. 12 is a front elevational view of a third embodiment thereof, wherein the only difference resides in the elongation of the claimed design;

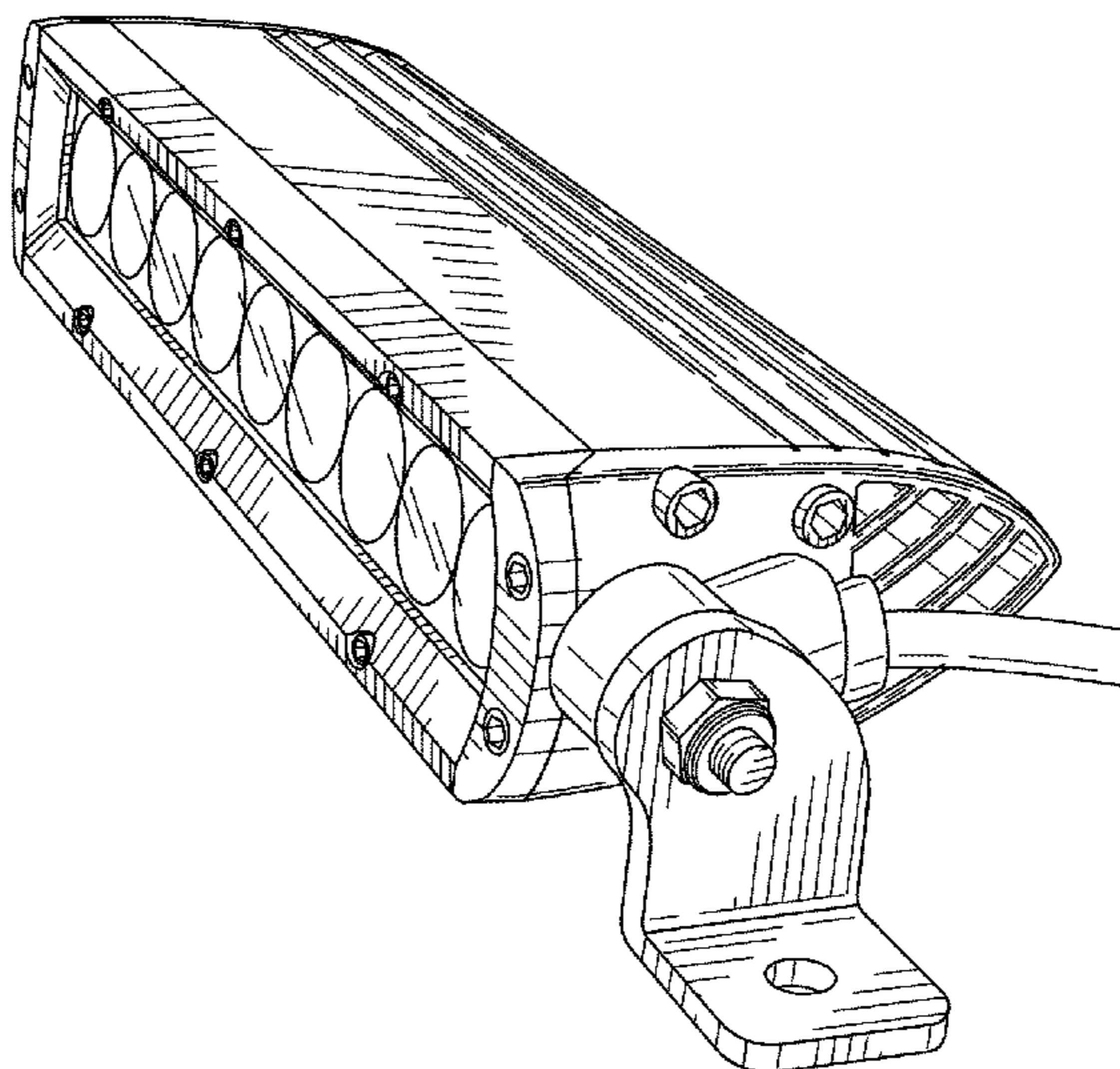
FIG. 13 is a front elevational view of a fourth embodiment thereof, wherein the only difference resides in the elongation of the claimed design;

FIG. 14 is a front elevational view of a fifth embodiment thereof, wherein the only difference resides in the elongation of the claimed design; and,

FIG. 15 is a front elevational view of a sixth embodiment thereof, wherein the only difference resides in the elongation of the claimed design.

The broken line showing of the wire is included for the purpose of illustrating only and forms no part of the claimed design.

1 Claim, 6 Drawing Sheets



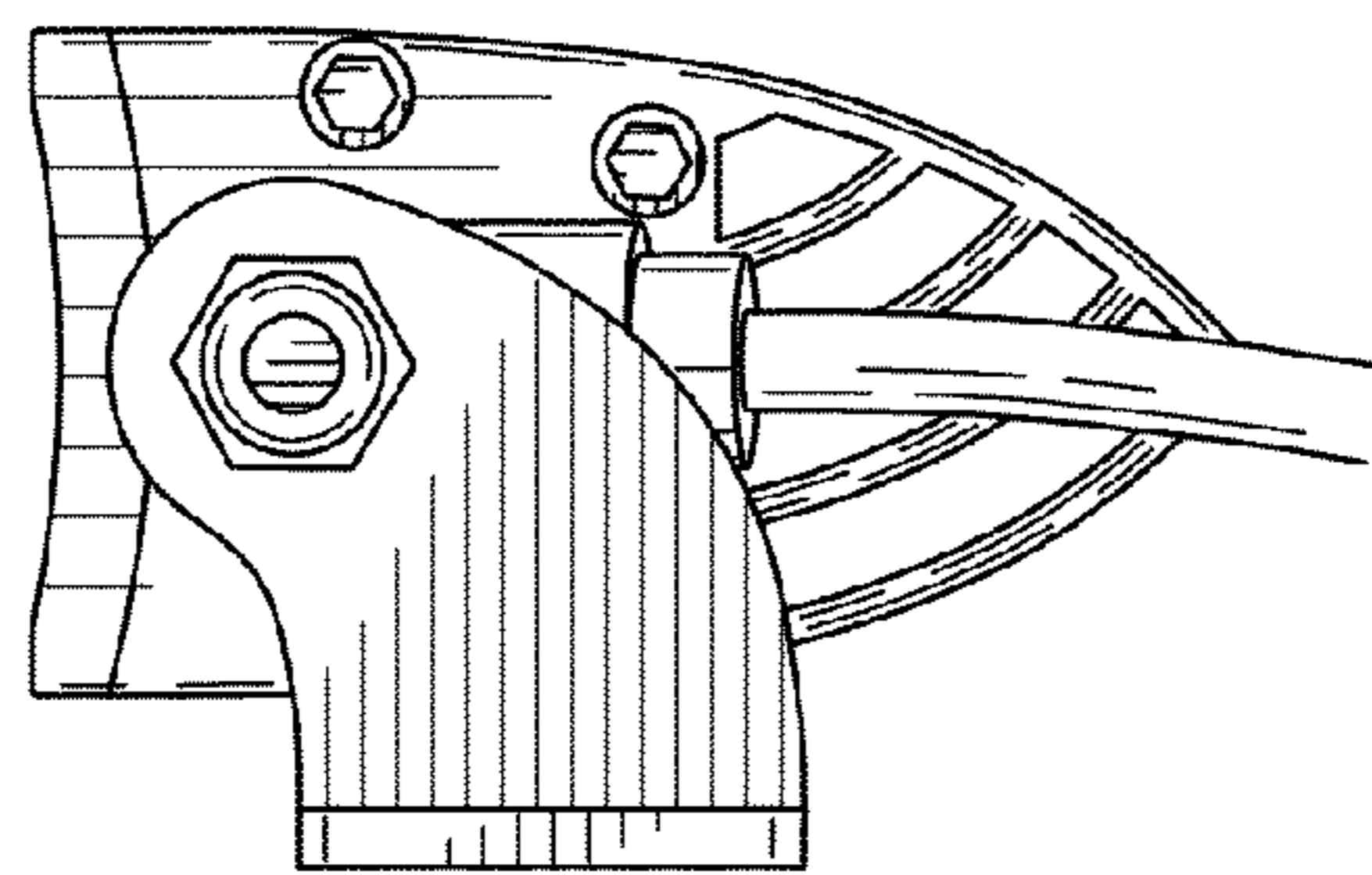
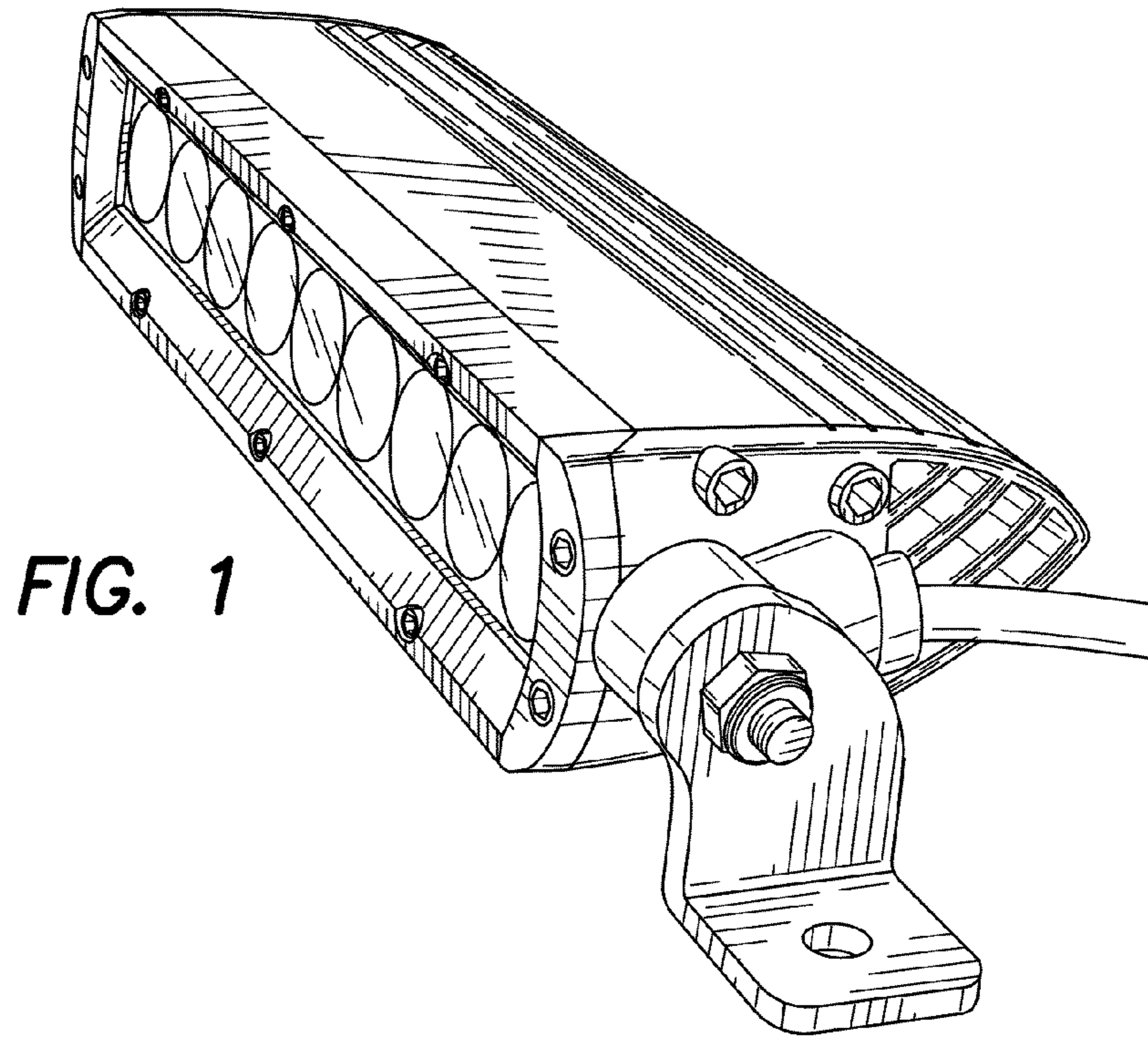


FIG. 4

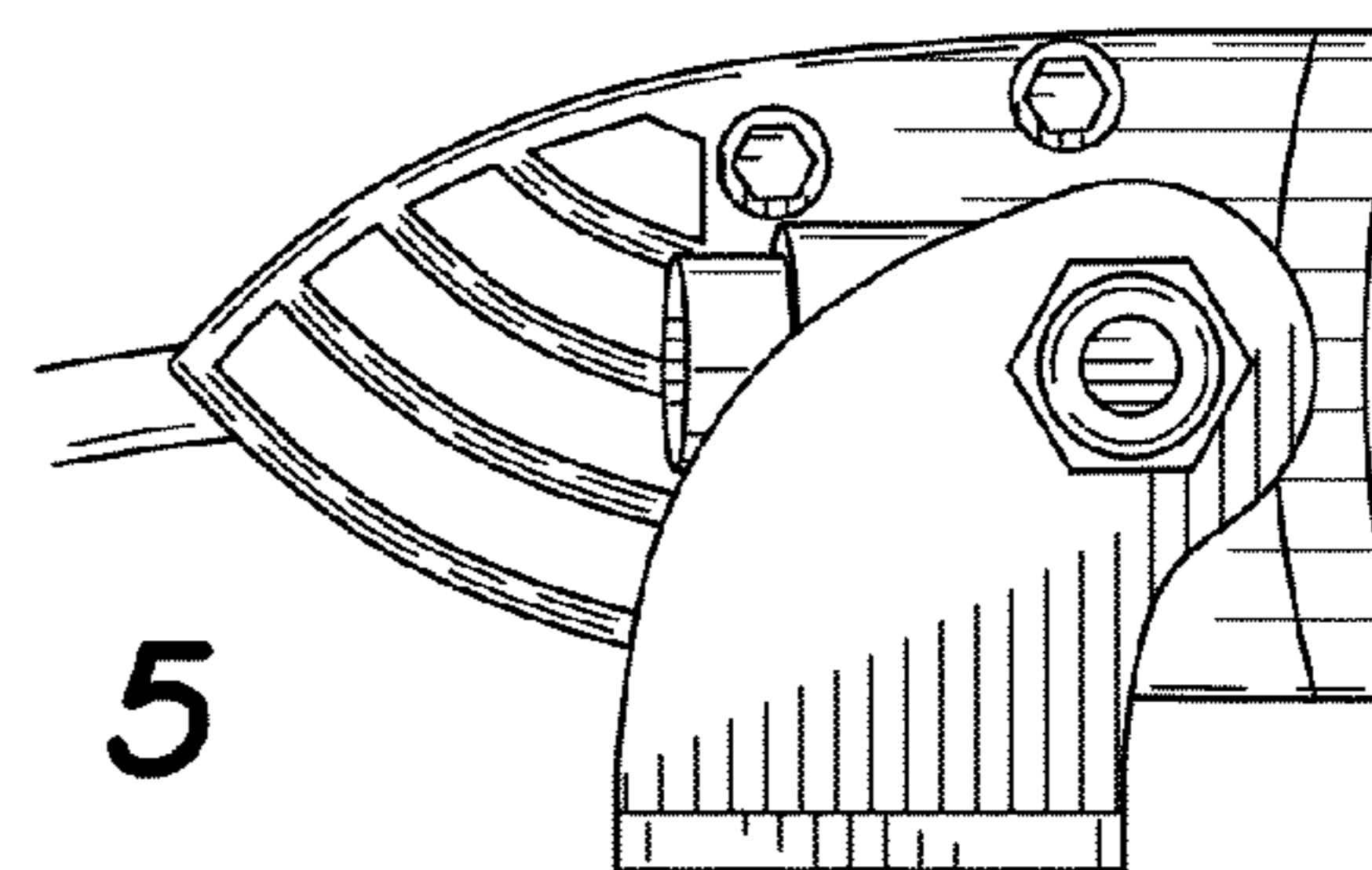


FIG. 5

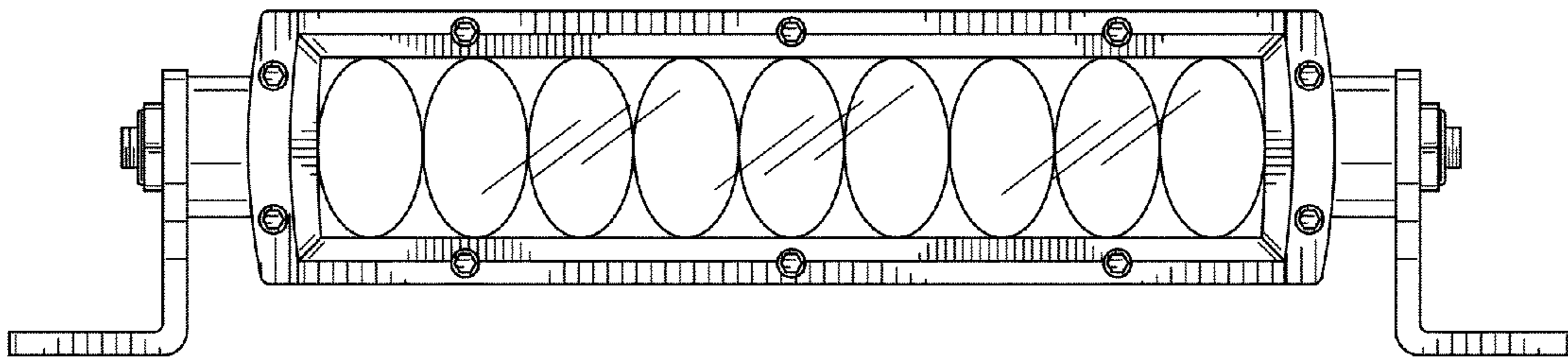


FIG. 2

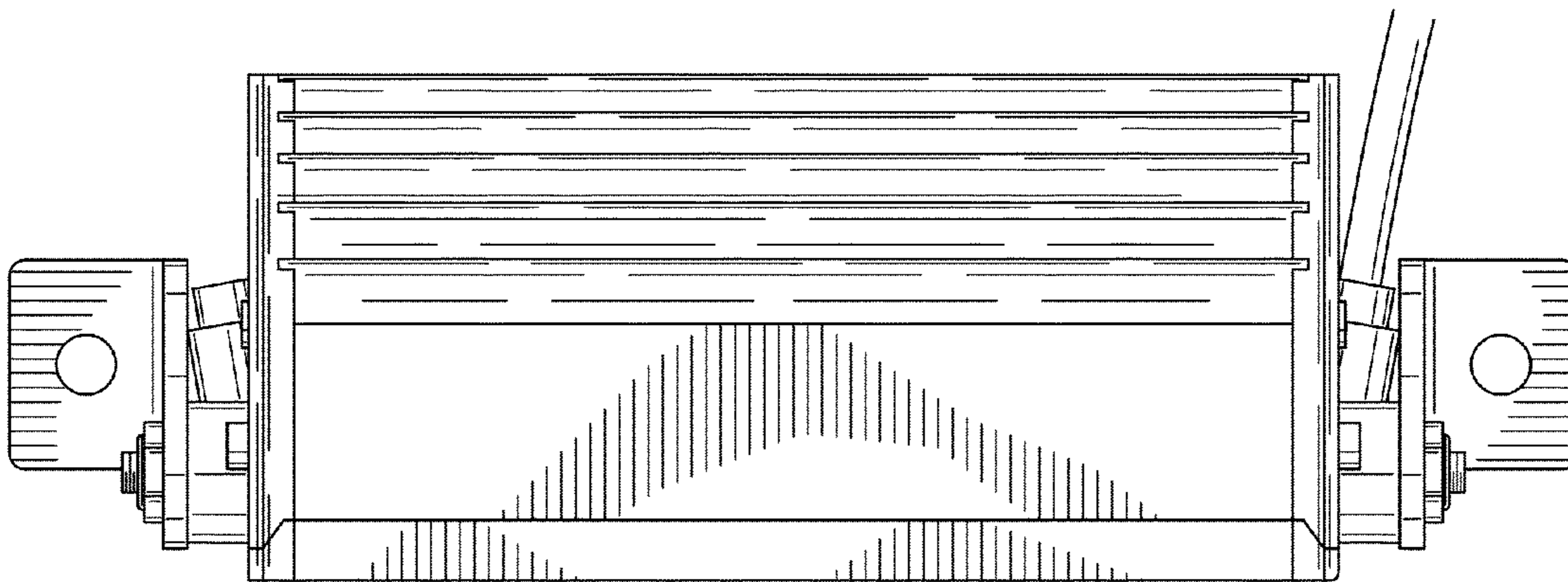


FIG. 3

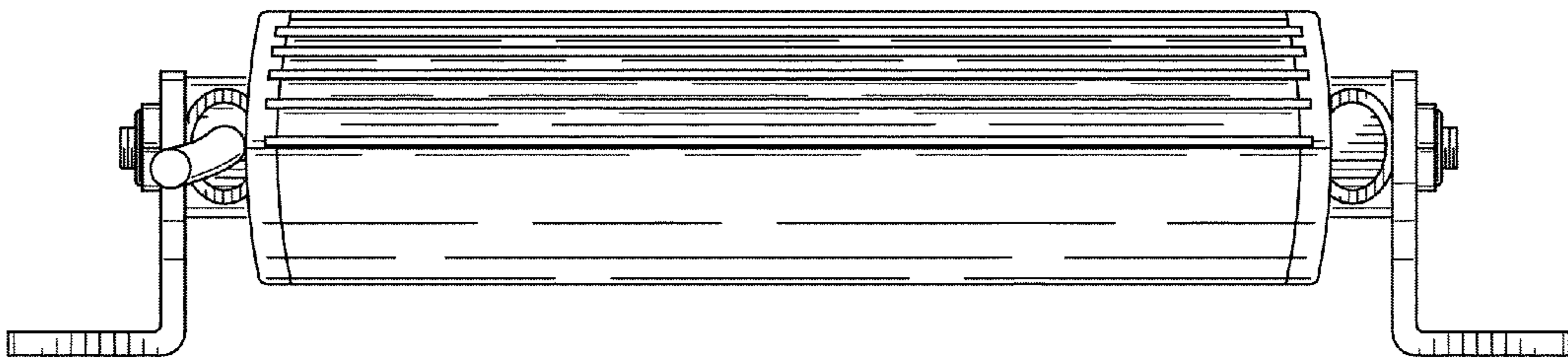


FIG. 6

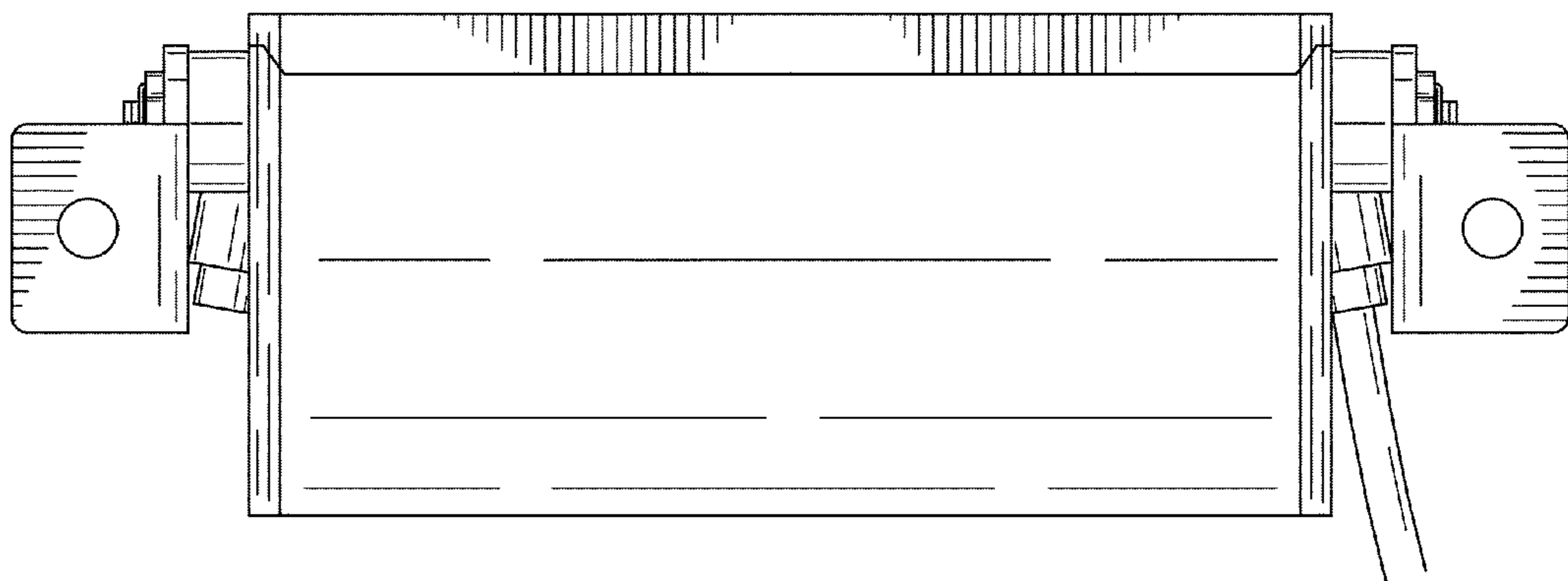


FIG. 7

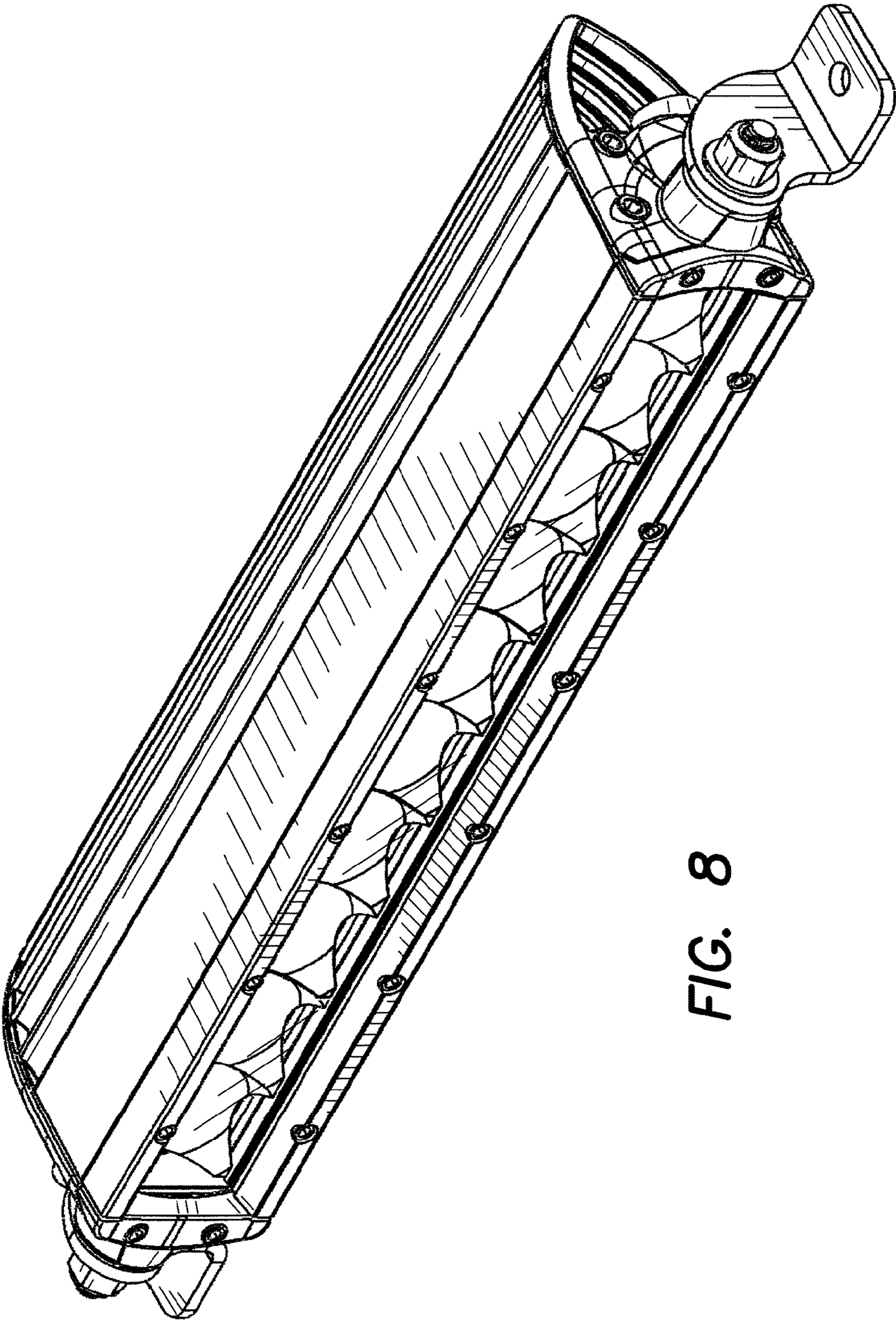


FIG. 8

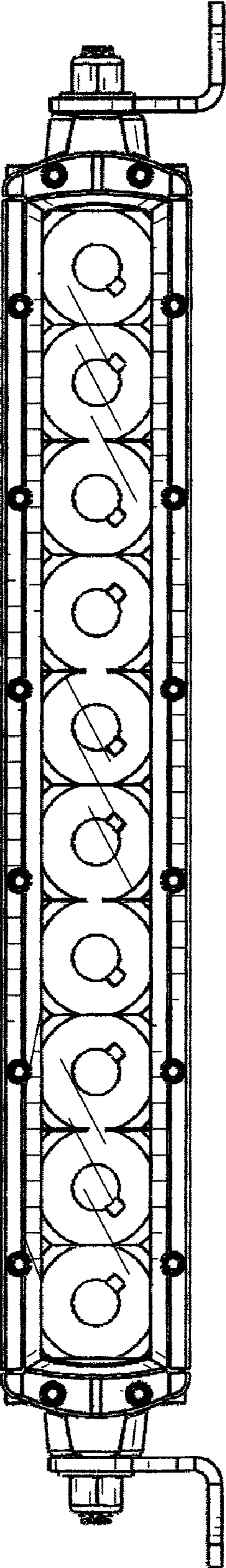


FIG. 9

FIG. 10

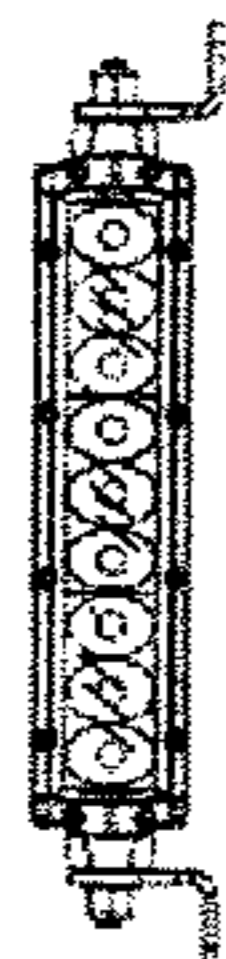


FIG. 11

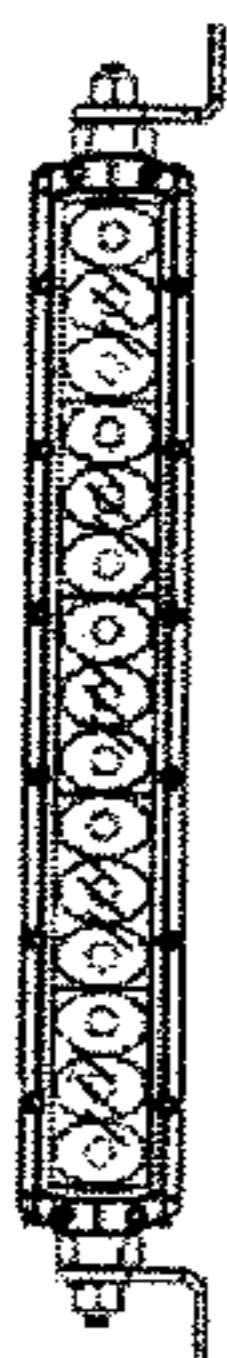


FIG. 12

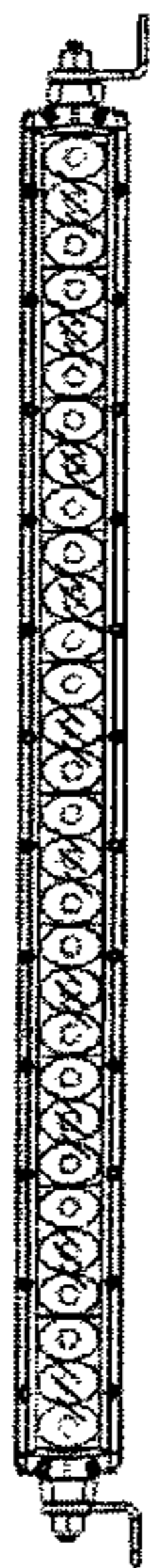


FIG. 13

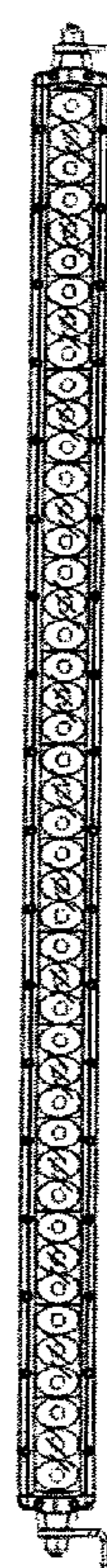


FIG. 14



FIG. 15

