



US00D676976S

(12) **United States Design Patent**
Walsh et al.

(10) **Patent No.:** **US D676,976 S**

(45) **Date of Patent:** **** Feb. 26, 2013**

(54) **ANALYSER**

(75) Inventors: **Aiden Walsh**, Belfast (GB); **Gareth Wilson**, Waringstown (GB)

(73) Assignee: **Randox Laboratories Ltd.**, County Antrim (GB)

(**) Term: **14 Years**

(21) Appl. No.: **29/398,092**

(22) Filed: **Jul. 26, 2011**

(51) **LOC (9) Cl.** **24-01**

(52) **U.S. Cl.** **D24/216**

(58) **Field of Classification Search** D24/216,
D24/217, 219, 231, 232, 107, 169, 186; D10/81;
422/500, 547, 62-65, 67; 435/287.1, 287.3;
436/43, 45, 47

See application file for complete search history.

(56) **References Cited**

U.S. PATENT DOCUMENTS

4,781,891 A * 11/1988 Galle et al. 422/64
D378,782 S * 4/1997 LaBarbera et al. D24/216
6,042,786 A * 3/2000 Oonuma et al. 422/64

D535,403 S * 1/2007 Isozaki et al. D24/232
D560,131 S * 1/2008 Hu D24/186
D588,276 S * 3/2009 Isozaki et al. D24/232
D646,189 S * 10/2011 Dinter et al. D10/81
2002/0025275 A1 * 2/2002 Oonuma et al. 422/64

* cited by examiner

Primary Examiner — Anhdao Doan

(74) *Attorney, Agent, or Firm* — Oliff & Berridge, PLC

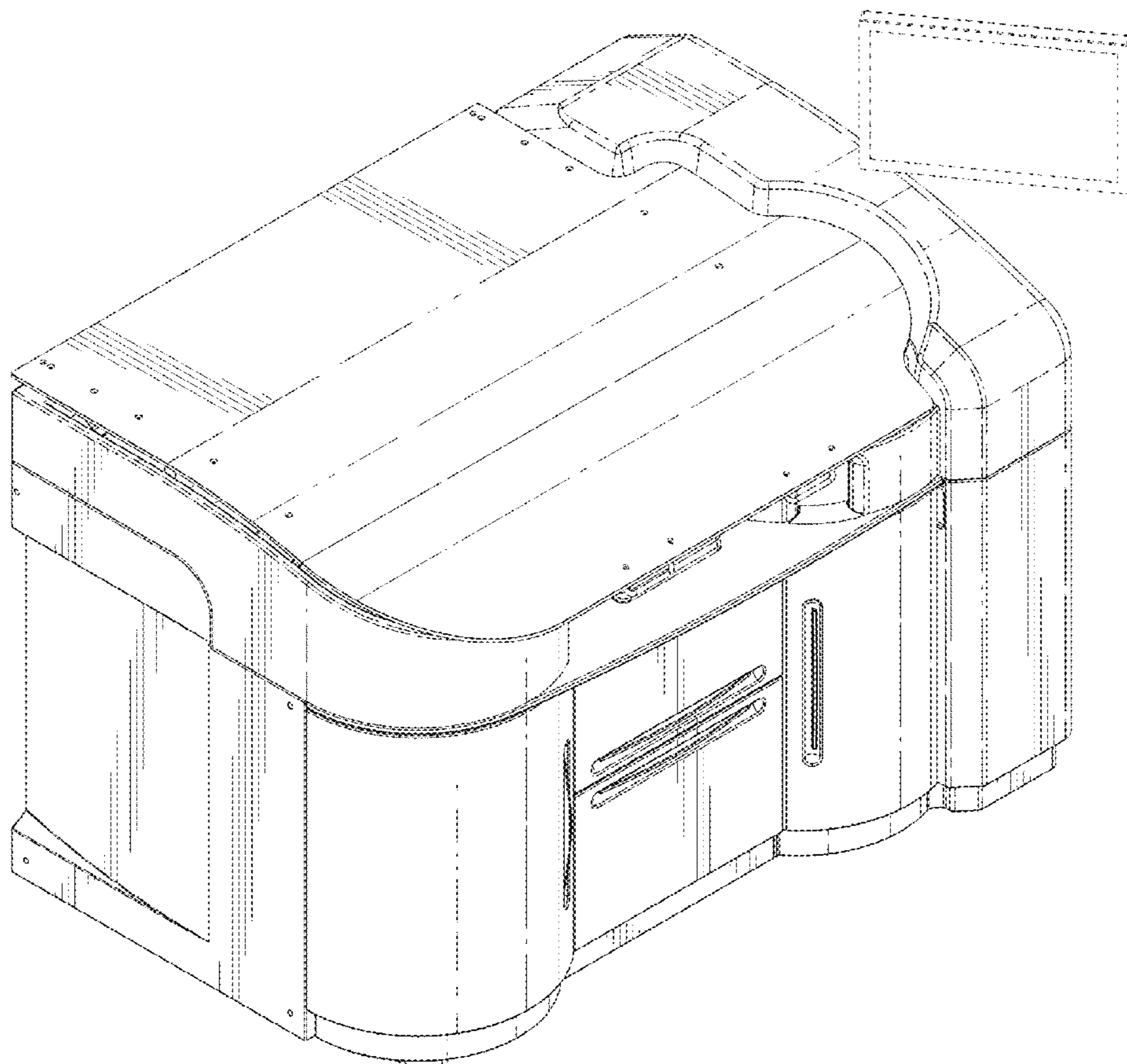
(57) **CLAIM**

The ornamental design for an analyser, as shown and described.

DESCRIPTION

FIG. 1 is a front perspective view of the analyser;
FIG. 2 is a rear perspective view of the analyser;
FIG. 3 is a front view of the analyser;
FIG. 4 is a rear view of the analyser;
FIG. 5 is a right view of the analyser;
FIG. 6 is a left view of the analyser;
FIG. 7 is a top plan view of the analyser; and,
FIG. 8 is a bottom plan view of the analyser.
Features shown in dashed lines do not form part of the claimed design.

1 Claim, 8 Drawing Sheets



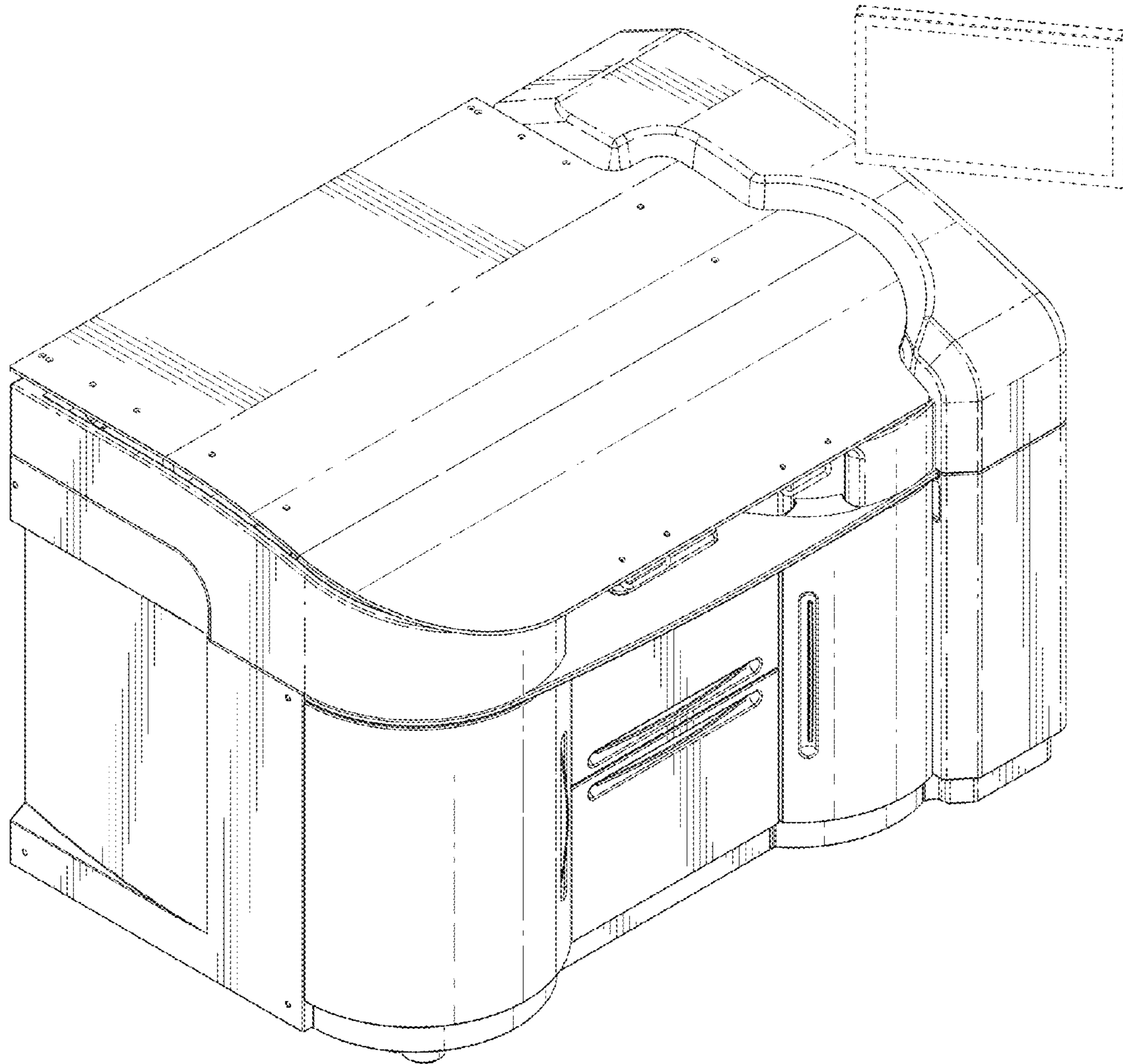


FIG. 1

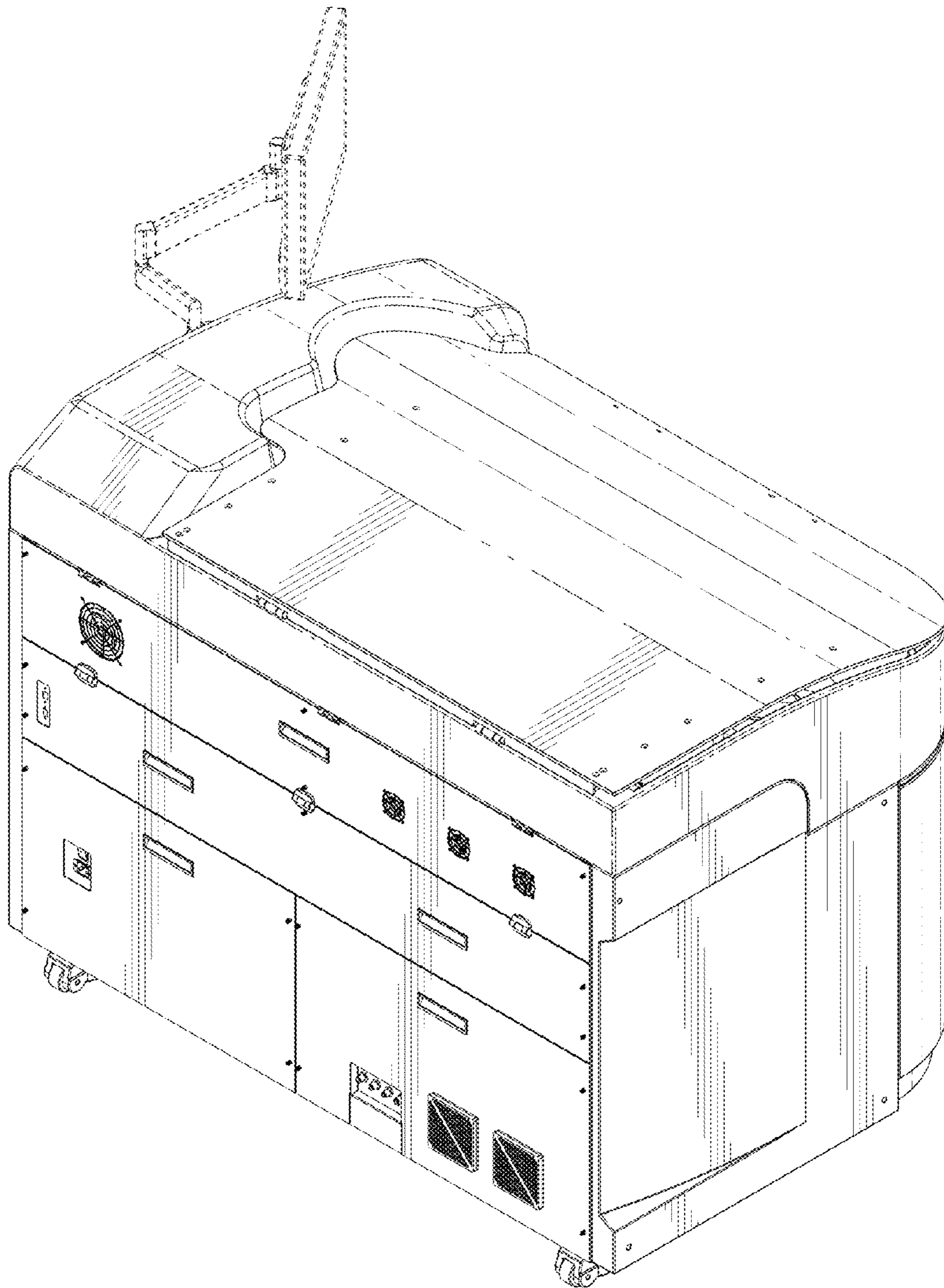


FIG. 2

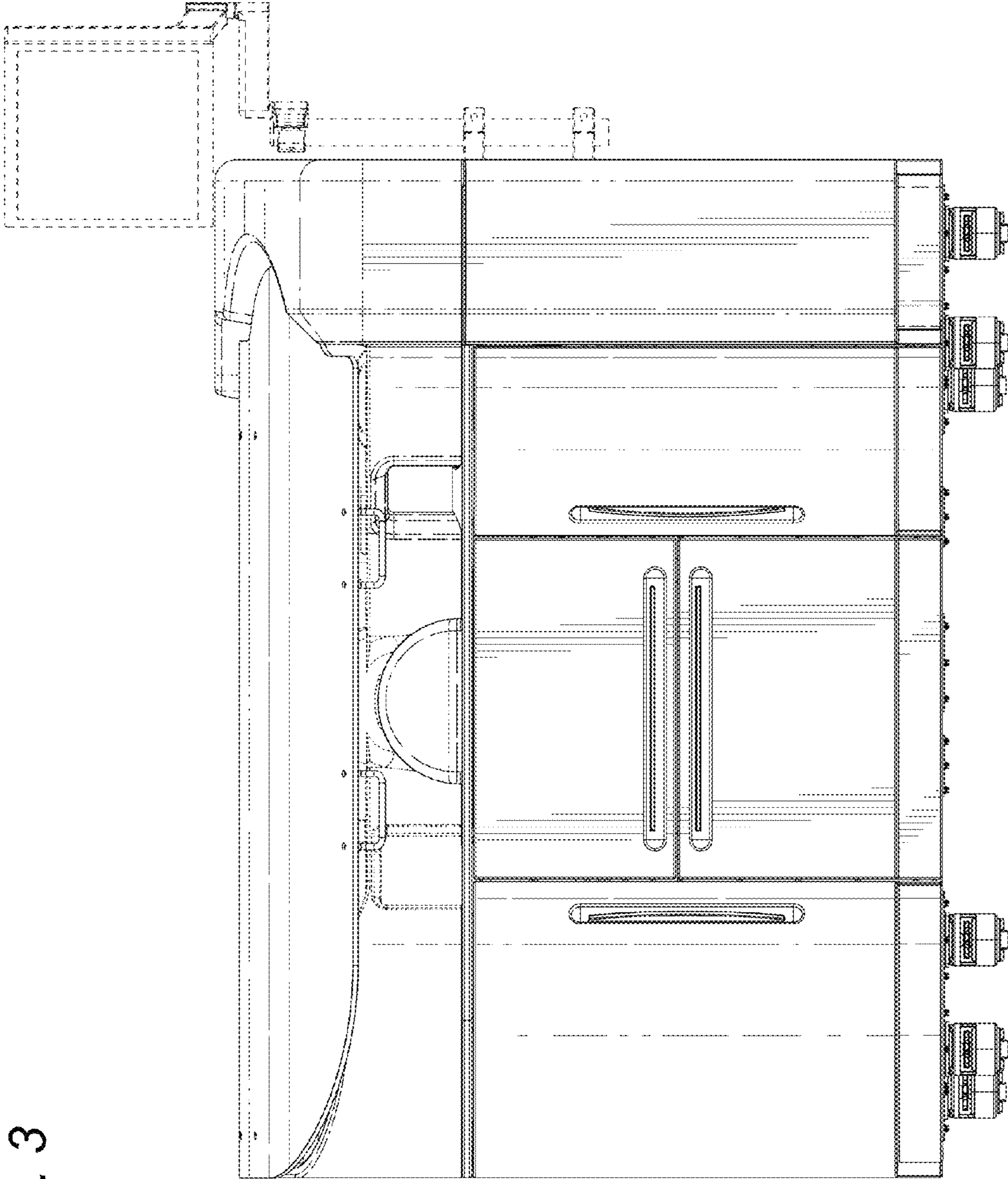


FIG. 3

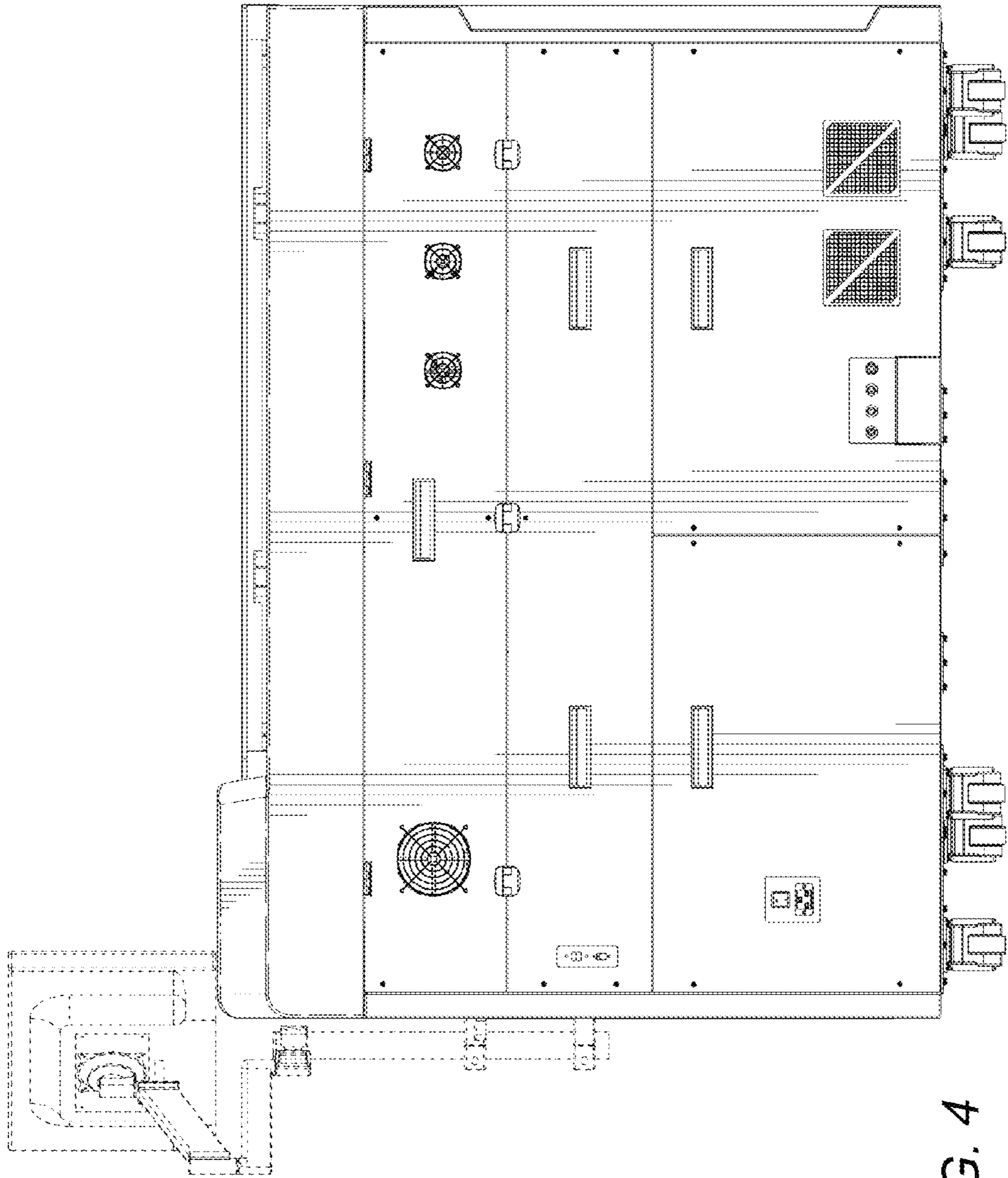


FIG. 4

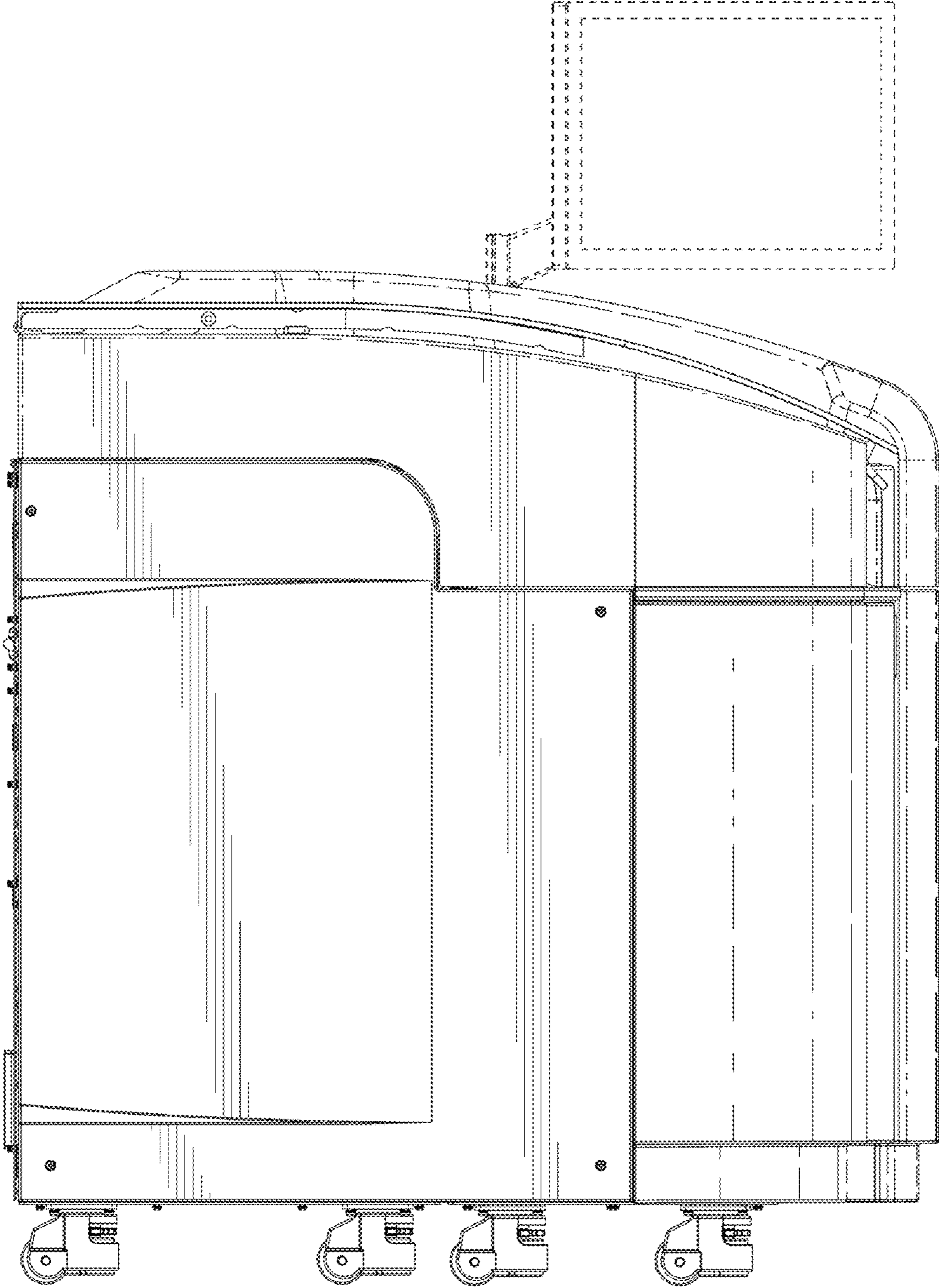


FIG. 5

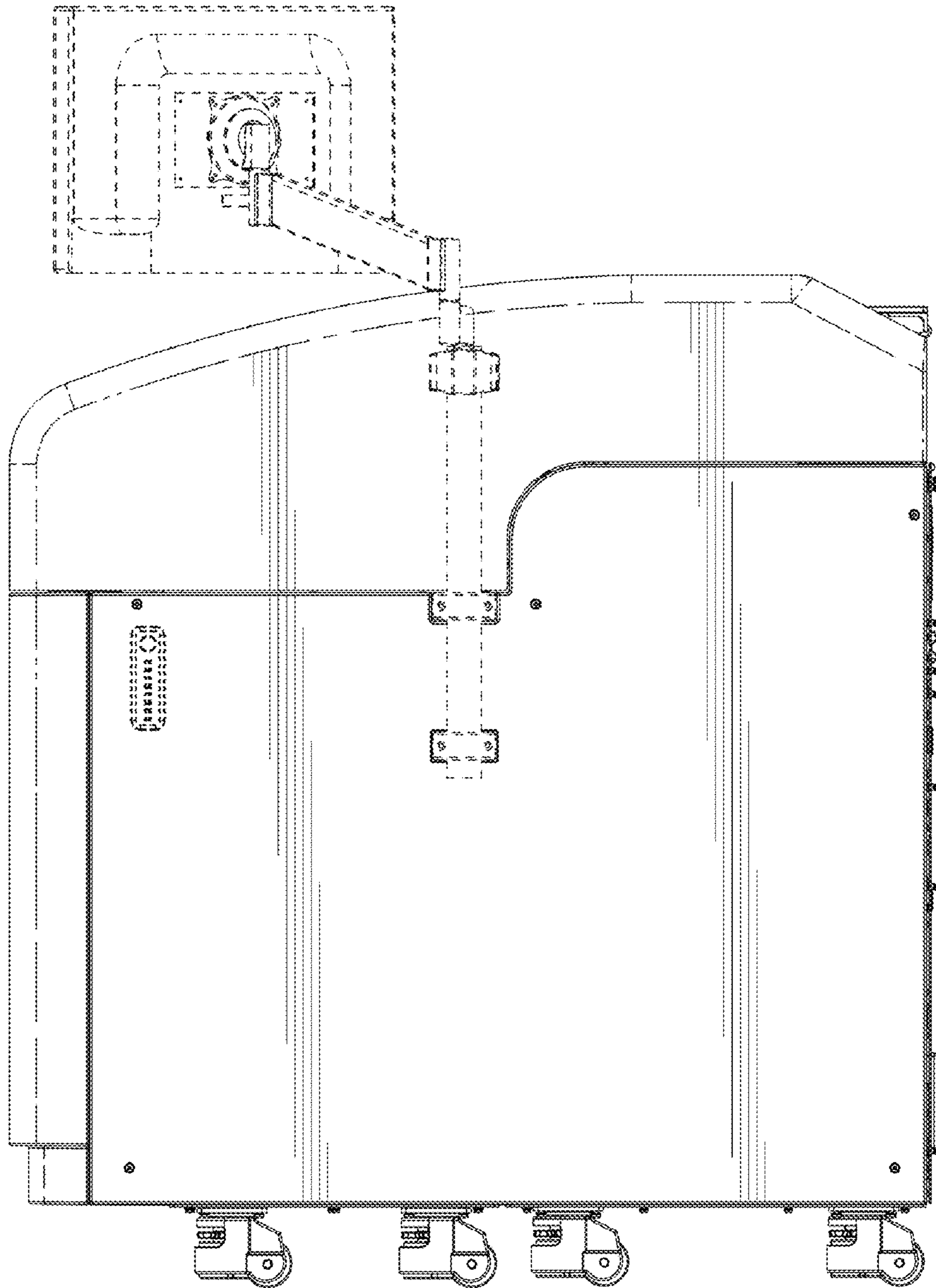


FIG. 6

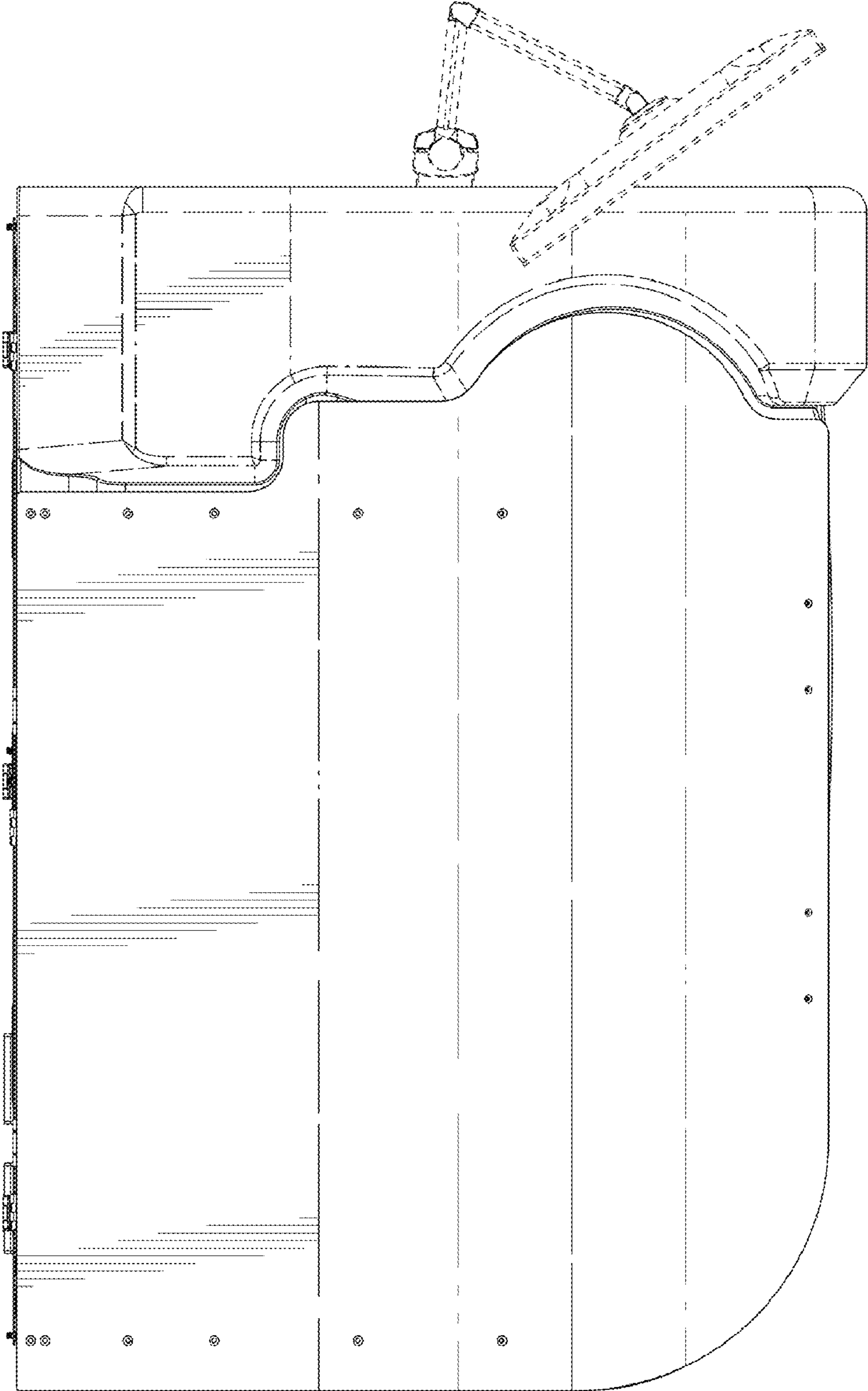


FIG. 7

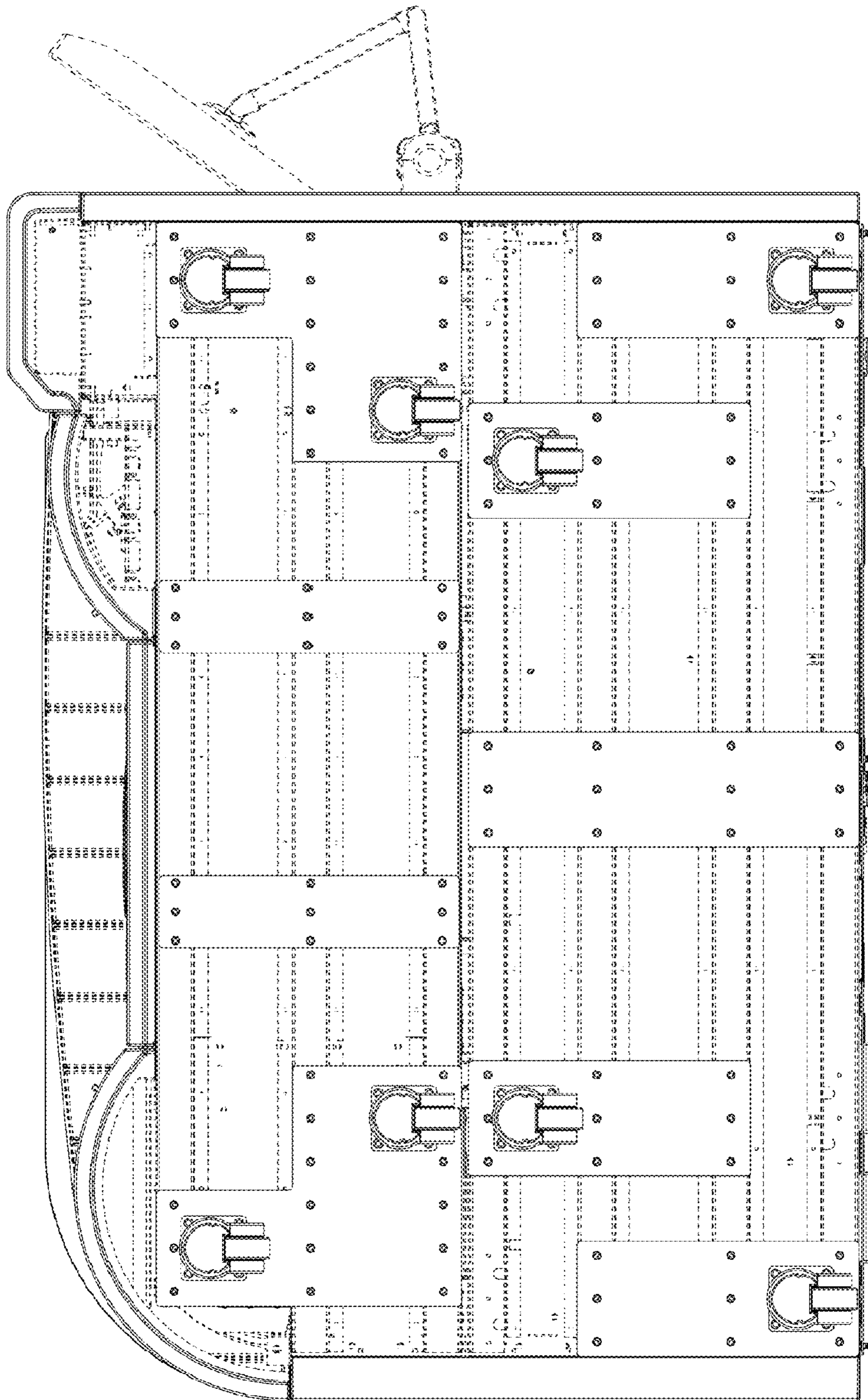


FIG. 8