



US00D676974S

(12) **United States Design Patent**
Zack et al.

(10) **Patent No.:** **US D676,974 S**
(45) **Date of Patent:** **** Feb. 26, 2013**

(54) **SAUNA EXTERIOR**

(75) Inventors: **Aaron Zack**, Overland Park, KS (US);
Doug Vandervalk, Overland Park, KS
(US); **Jasen Sappenfield**, Overland Park,
KS (US)

(73) Assignee: **Sunlighten, Inc.**, Overland Park, KS
(US)

(**) Term: **14 Years**

(21) Appl. No.: **29/426,036**

(22) Filed: **Jun. 29, 2012**

Related U.S. Application Data

(63) Continuation-in-part of application No. 29/356,445,
filed on Feb. 25, 2010, now Pat. No. Des. 663,855.

(51) **LOC (9) Cl.** **23-02**

(52) **U.S. Cl.** **D24/203**

(58) **Field of Classification Search** D24/201-205;
4/524, 526, 528, 531, 532
See application file for complete search history.

(56) **References Cited**

U.S. PATENT DOCUMENTS

232,731 A * 9/1880 Lee 4/524
3,422,465 A * 1/1969 Jones et al. 4/532

D257,490 S * 11/1980 Davis D24/202
5,117,481 A * 5/1992 Sung 4/526
5,255,399 A * 10/1993 Park 4/525
D341,425 S * 11/1993 Lee D24/203
D346,015 S * 4/1994 Maskell et al. D24/203
5,511,254 A * 4/1996 O'Brien 4/532
D444,881 S * 7/2001 Jensen et al. D24/203
D455,497 S * 4/2002 Jensen et al. D24/203
7,458,111 B2 * 12/2008 Sappenfield et al. 4/524
D618,814 S * 6/2010 Ruhanen D24/203
7,849,531 B2 * 12/2010 Rooke et al. 4/524

* cited by examiner

Primary Examiner — David Muller

(74) *Attorney, Agent, or Firm* — Shook Hardy & Bacon LLP

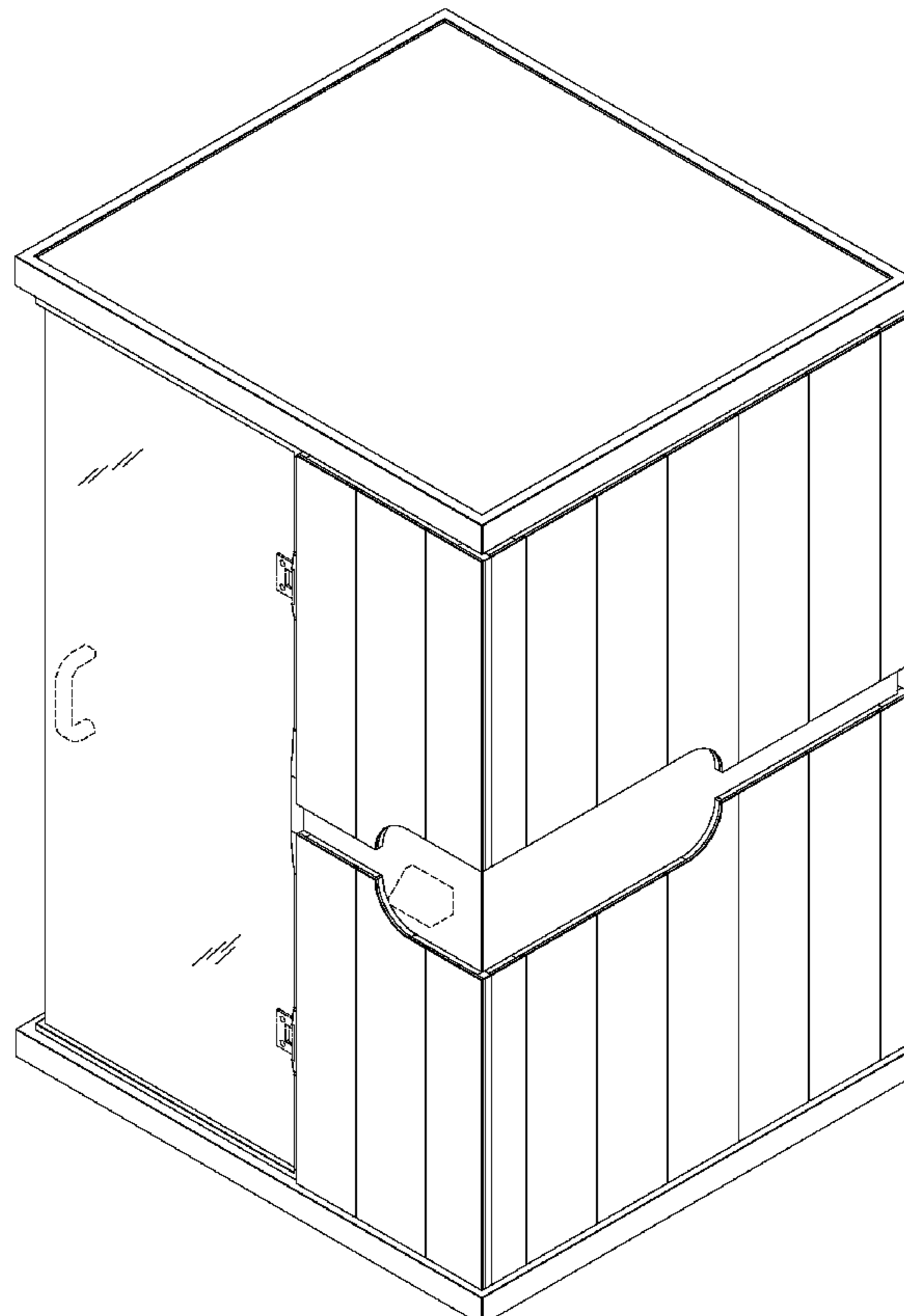
(57) **CLAIM**

The ornamental design for a sauna exterior, as shown and
described.

DESCRIPTION

FIG. 1 is a top left side exterior perspective view of the sauna
of the present invention;
FIG. 2 is a front exterior elevation view thereof; and,
FIG. 3 is a side exterior elevation view thereof.
The broken lines shown in the drawings are directed to envi-
ronment, are for informational purposes only, and form no
part of the claimed design.

1 Claim, 2 Drawing Sheets



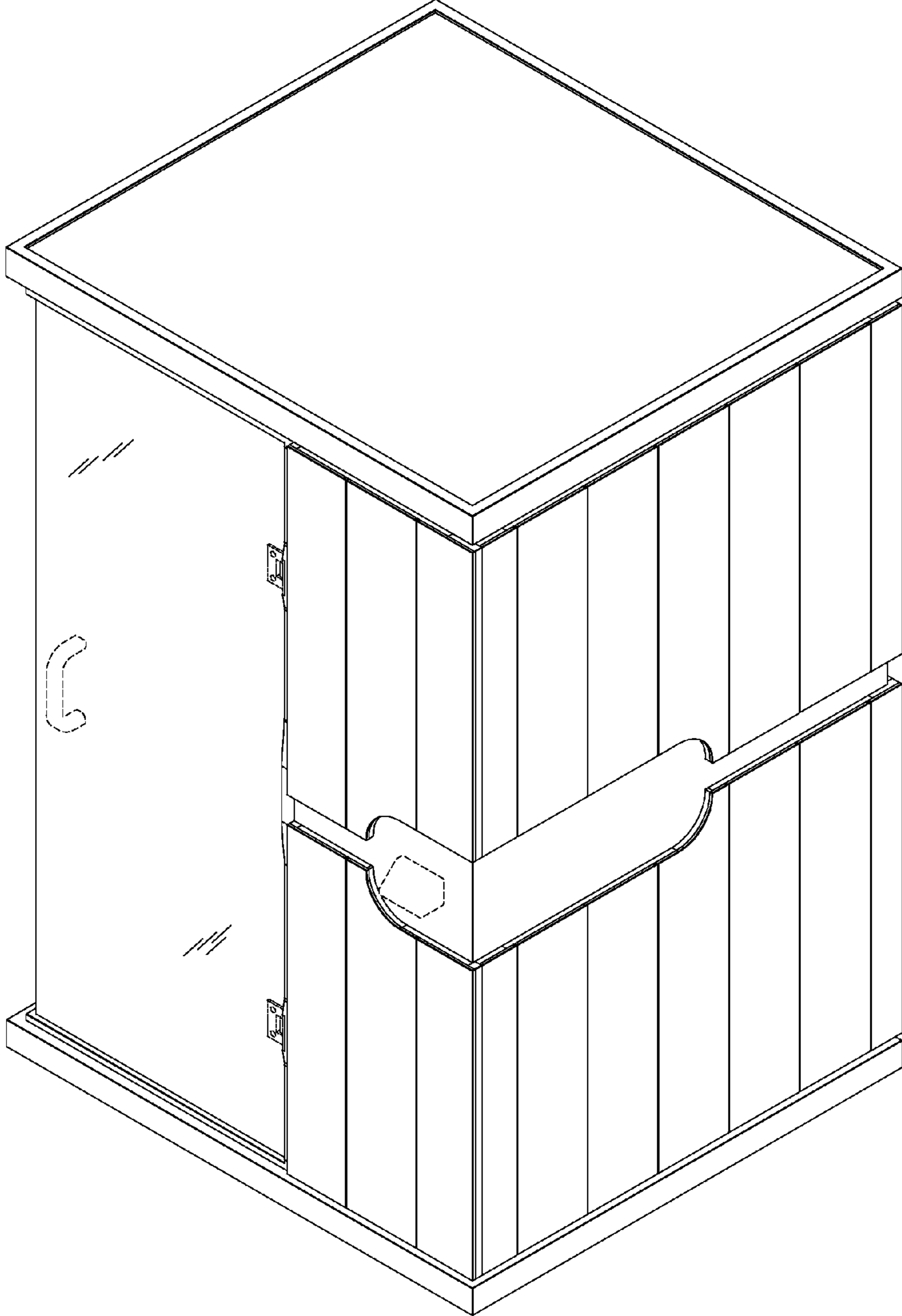


FIG. 1

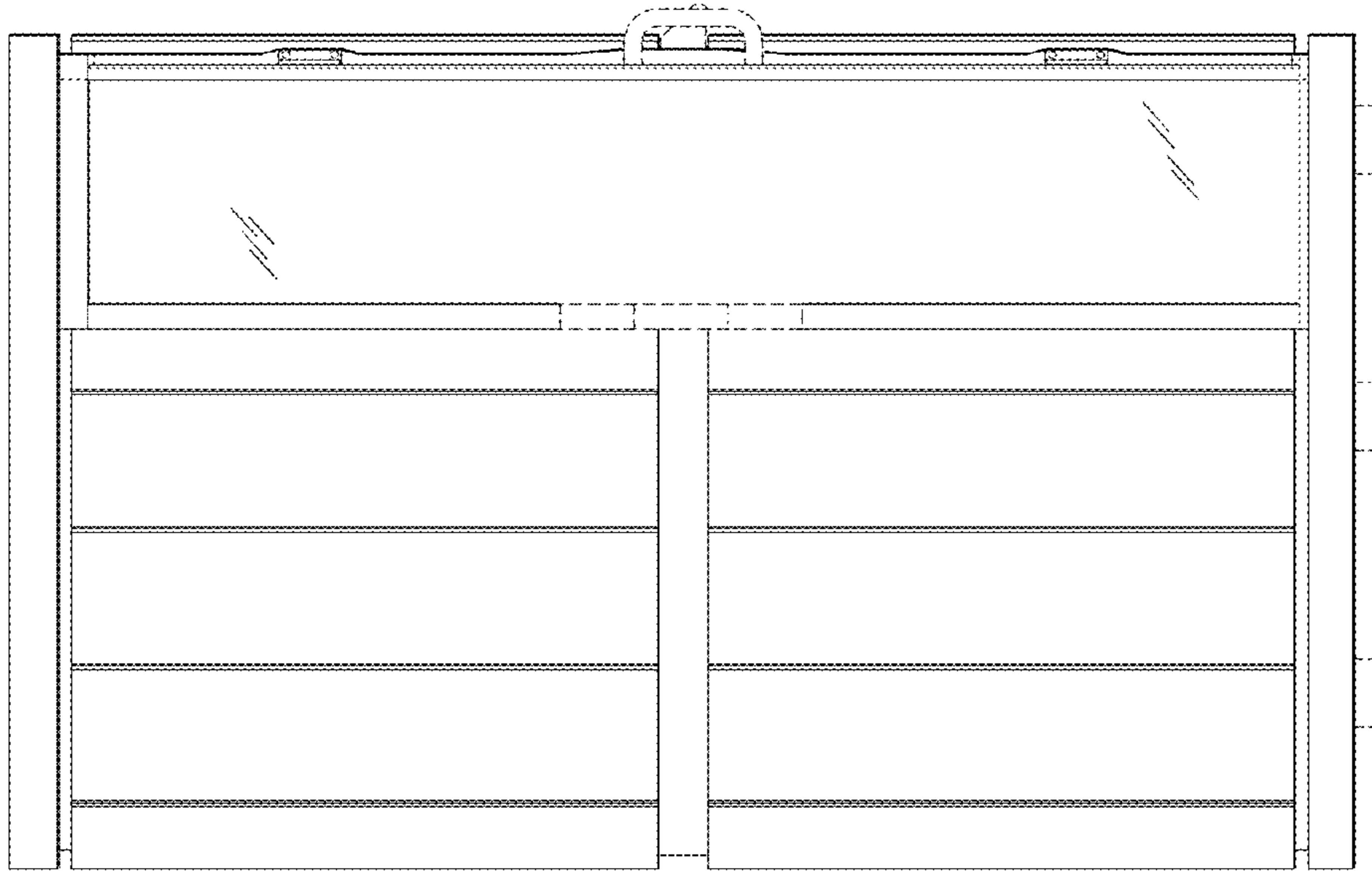


FIG. 3

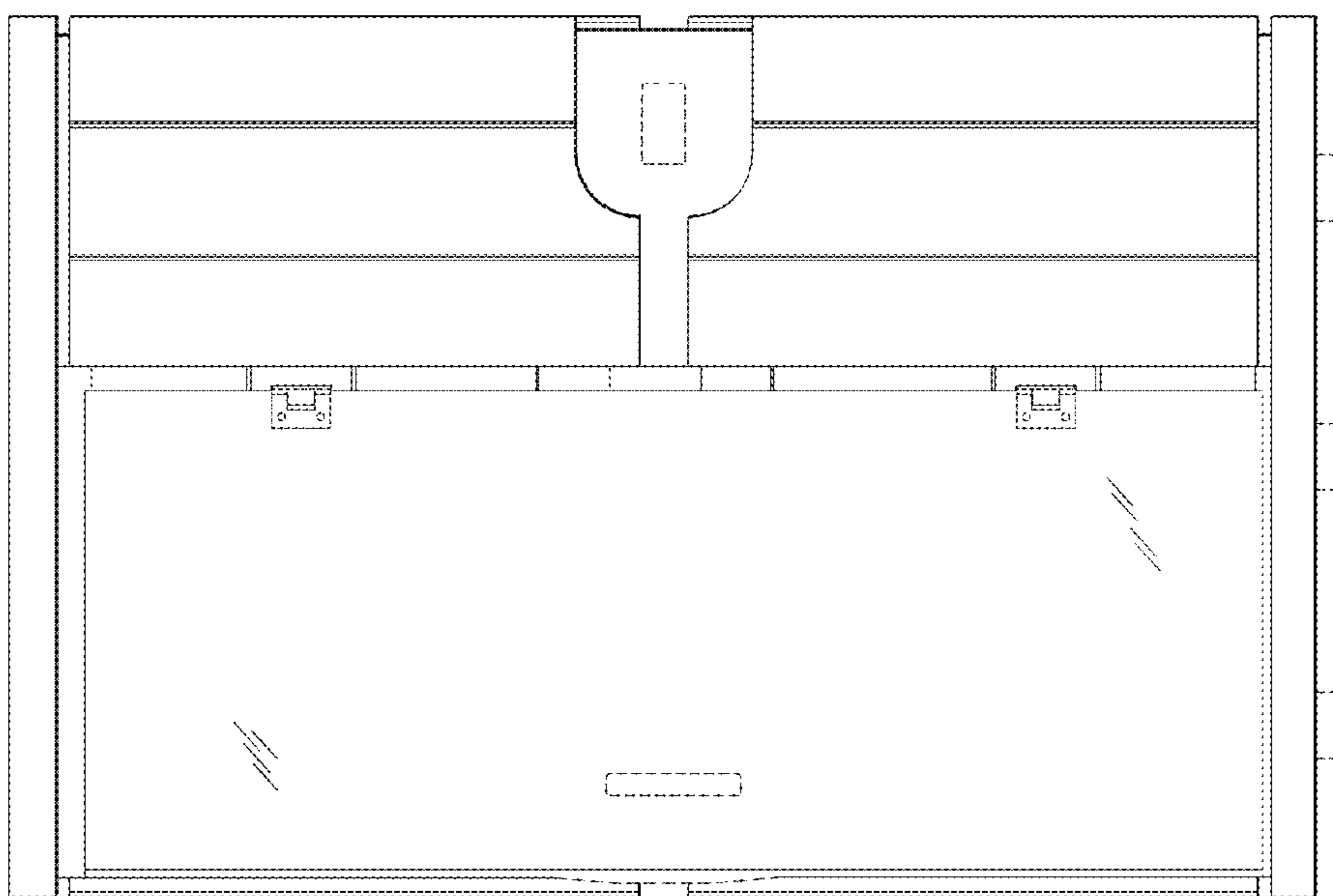


FIG. 2