



US00D676971S

(12) **United States Design Patent**  
**Sharps**

(10) **Patent No.:** **US D676,971 S**  
(45) **Date of Patent:** **\*\* Feb. 26, 2013**

- (54) **TORSO-SUPPORT APPARATUS**
- (75) Inventor: **Lewis Sharps**, Bryn Mawr, PA (US)
- (73) Assignee: **Operating Room Safety Enterprises, LLC**, Berwyn, PA (US)
- (\*\*) Term: **14 Years**
- (21) Appl. No.: **29/412,782**
- (22) Filed: **Feb. 7, 2012**

- D344,802 S \* 3/1994 Kuck et al. .... D24/183
- 6,076,525 A \* 6/2000 Hoffman ..... 128/845
- 6,428,497 B1 \* 8/2002 Crouch ..... 602/32
- 6,622,324 B2 \* 9/2003 VanSteenburg et al. .... 5/621
- 7,600,281 B2 \* 10/2009 Skripps ..... 5/621
- D604,422 S \* 11/2009 Albrecht et al. .... D24/183

\* cited by examiner

*Primary Examiner* — T. Chase Nelson  
*Assistant Examiner* — Mark Cavanna  
(74) *Attorney, Agent, or Firm* — Offit Kurman, P.A.; Robert R. Axenfeld

**Related U.S. Application Data**

- (63) Continuation-in-part of application No. 29/386,121, filed on Feb. 24, 2011, now Pat. No. Des. 663,427.
  - (51) **LOC (9) Cl.** ..... **24-01**
  - (52) **U.S. Cl.** ..... **D24/184**
  - (58) **Field of Classification Search** ..... D24/183–184, D24/171; D6/360, 392; 5/600, 608, 610, 5/613–614, 621–624, 632; 602/32; 128/845–846; 606/242
- See application file for complete search history.

(57) **CLAIM**

The ornamental design for a torso-support apparatus, as shown and described.

**DESCRIPTION**

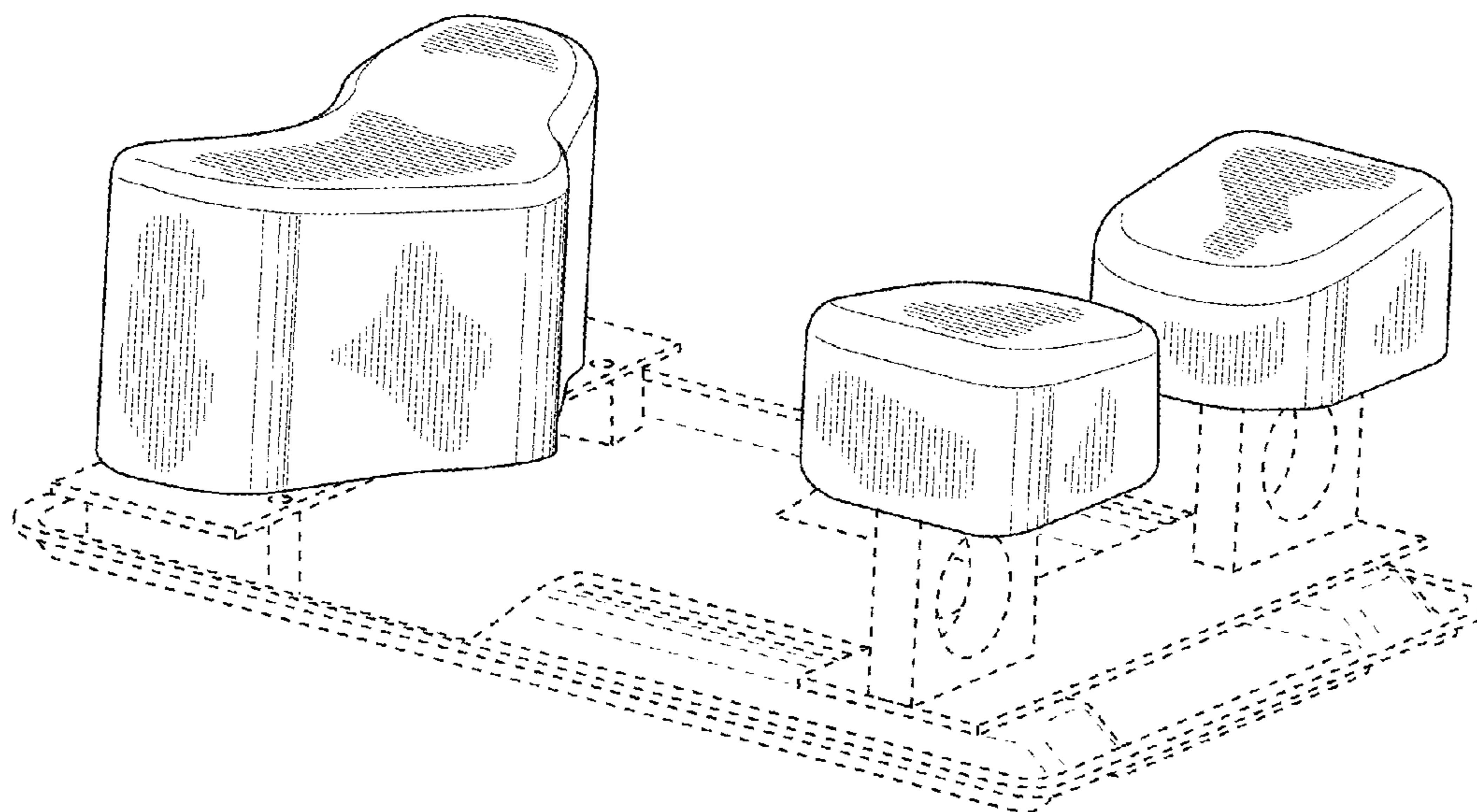
This application relates to U.S. Ser. No. 29/412,784, filed concurrently herewith both naming Lewis Sharps as the inventor, and entitled “Torso-Support Apparatus”.  
FIG. 1 is a top-perspective-left-side view of an example torso-support apparatus;  
FIG. 2 is a rear view thereof;  
FIG. 3 is a front view thereof;  
FIG. 4 is a left-side view thereof;  
FIG. 5 is a right-side view thereof;  
FIG. 6 is a bottom view thereof; and,  
FIG. 7 is a top view thereof.  
The broken lines showing the torso-support apparatus, or portion thereof, are not a part of the claimed design.

(56) **References Cited**

**U.S. PATENT DOCUMENTS**

- D248,406 S \* 7/1978 Hodge ..... D24/183
- 4,354,485 A \* 10/1982 Safadago ..... 606/242
- 4,827,541 A \* 5/1989 Vollman et al. .... 5/613
- D304,614 S \* 11/1989 Guttormsen ..... D24/183
- D320,663 S \* 10/1991 Brann ..... D24/183
- 5,088,706 A \* 2/1992 Jackson ..... 5/608

**1 Claim, 4 Drawing Sheets**



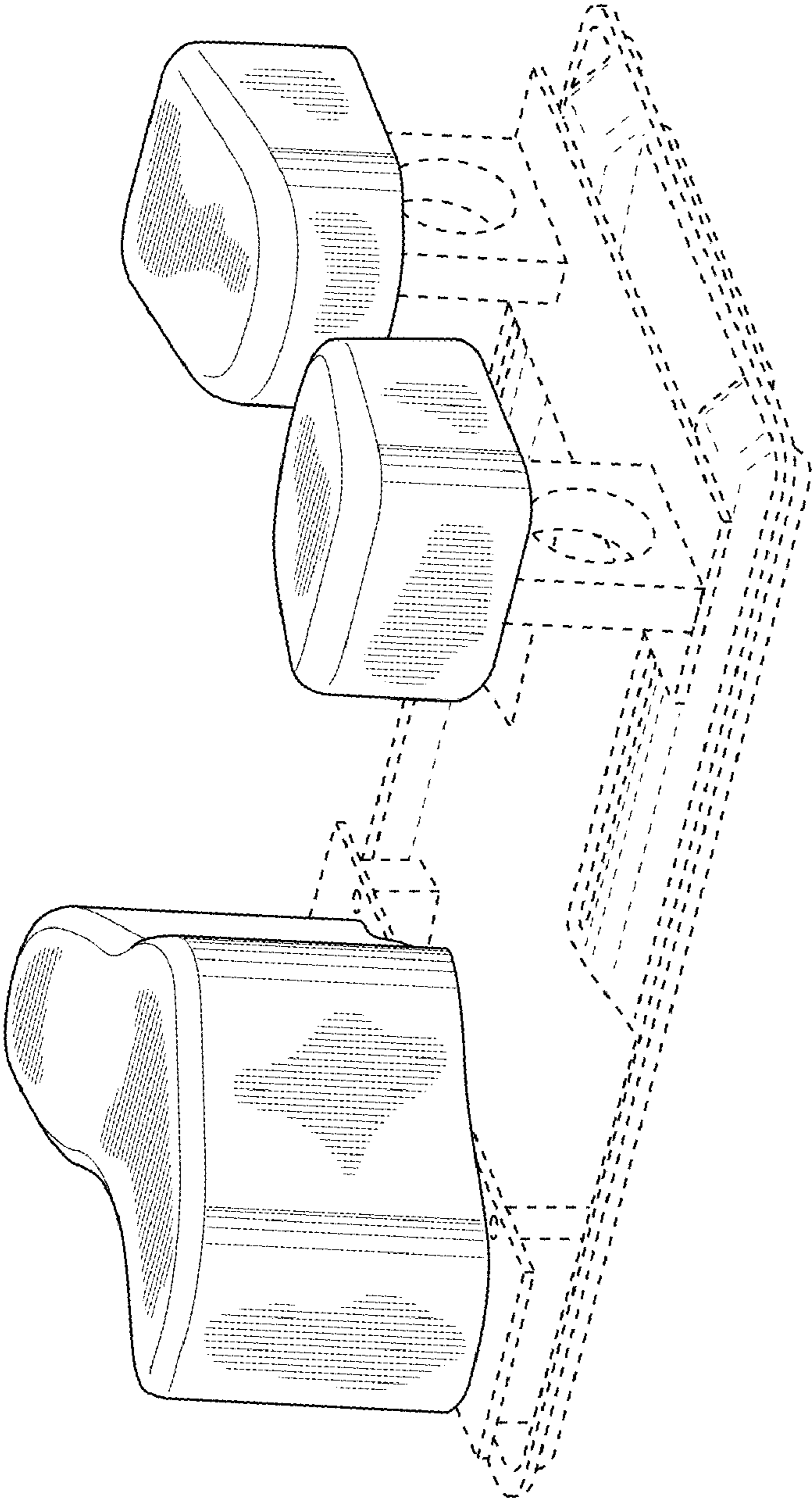


FIG. 1

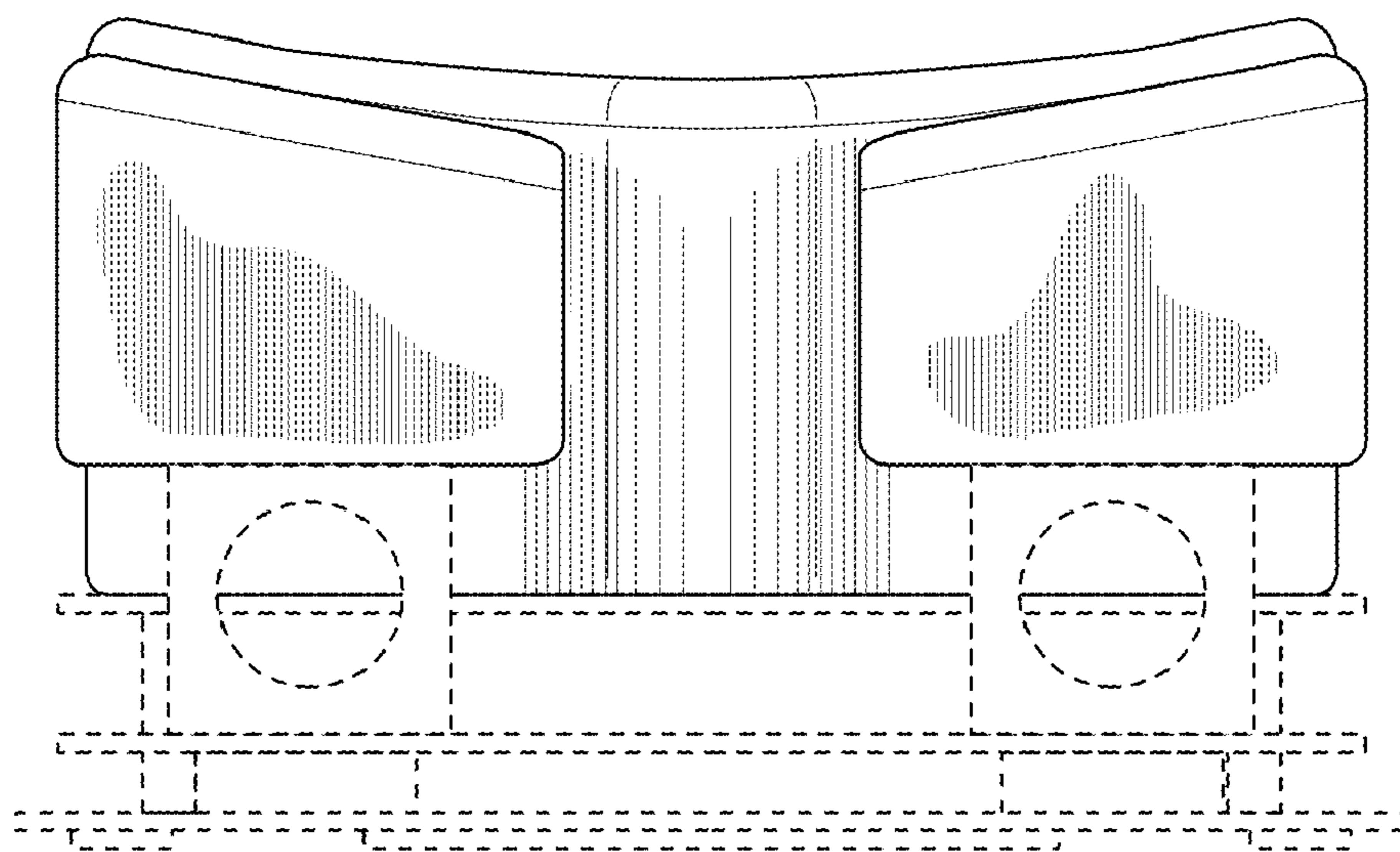


FIG. 2

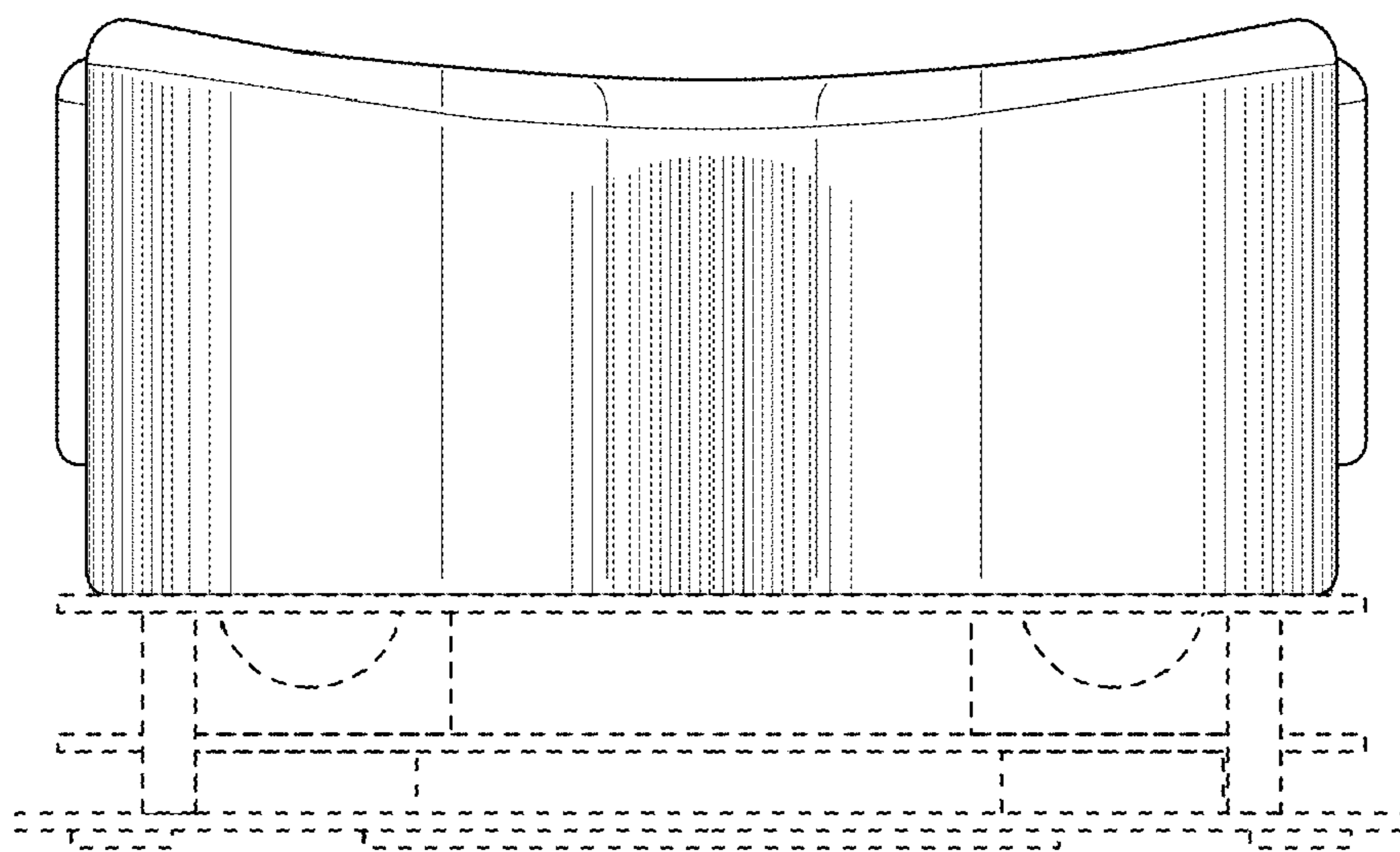


FIG. 3

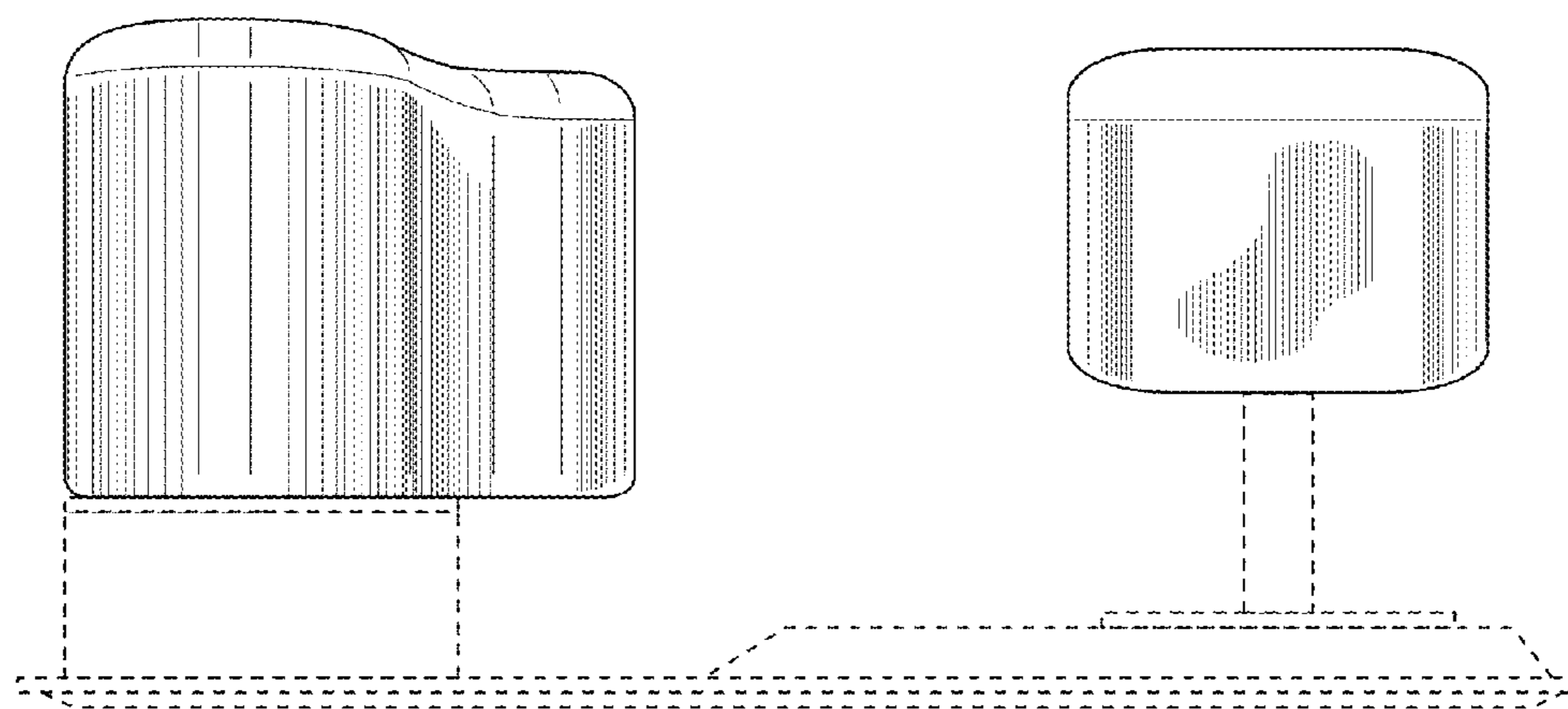


FIG. 4

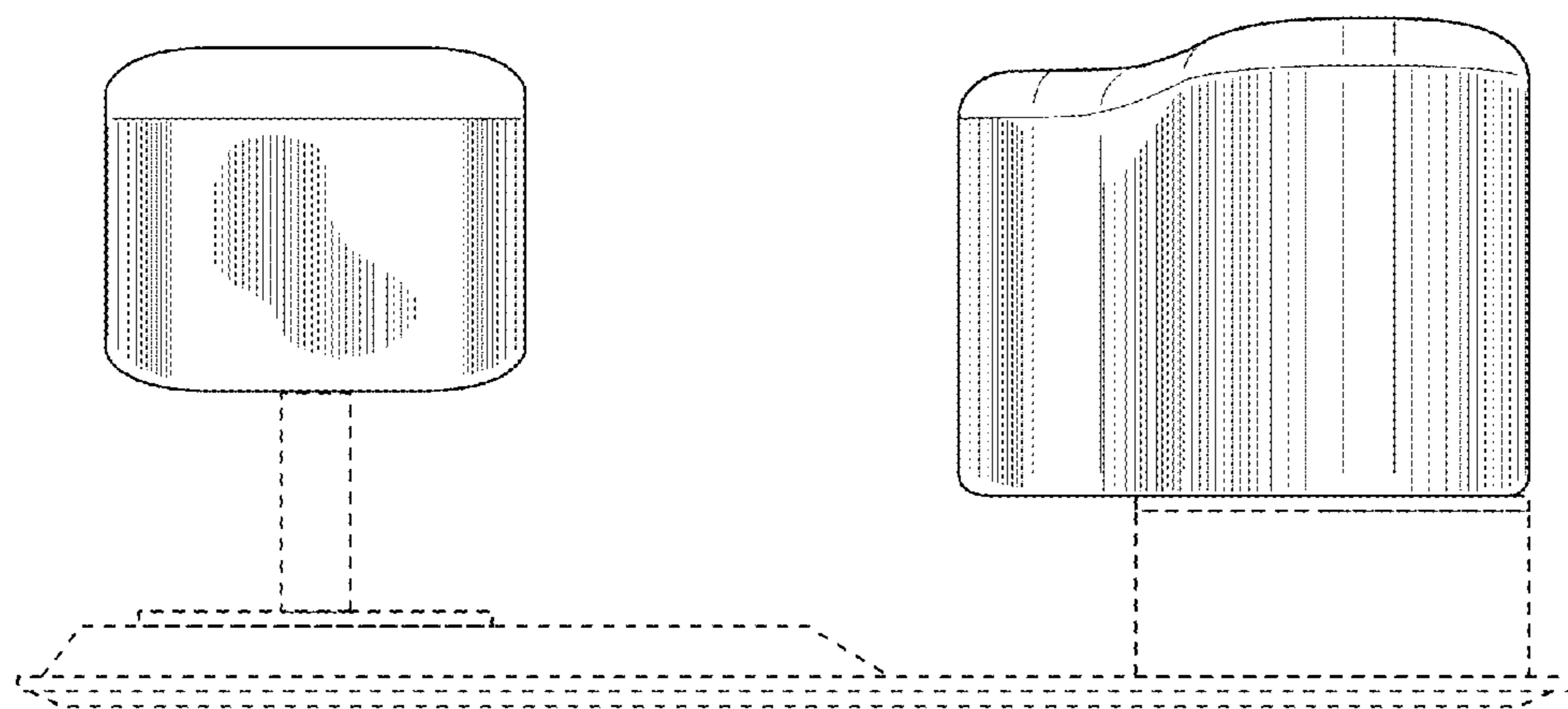


FIG. 5



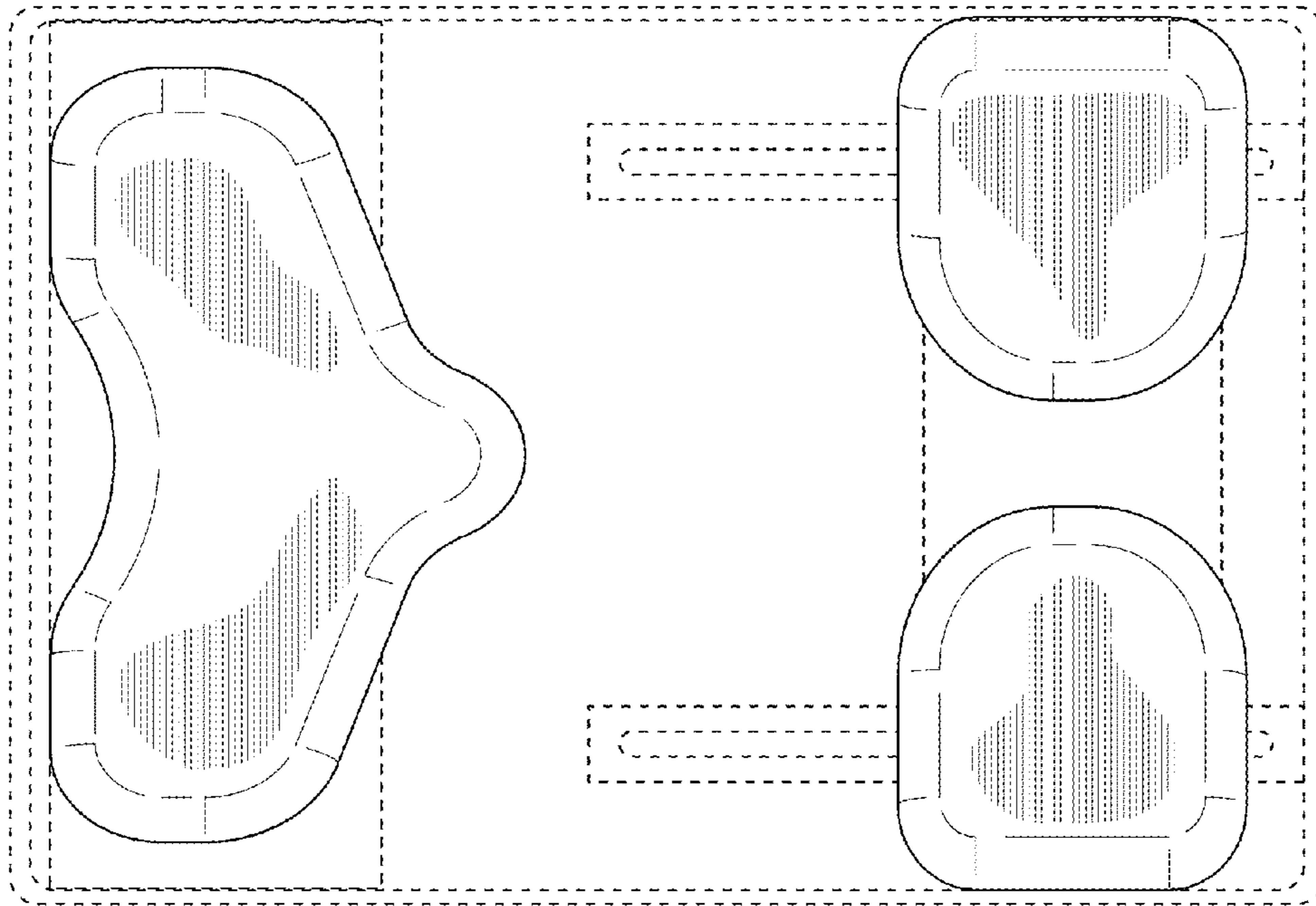


FIG. 7

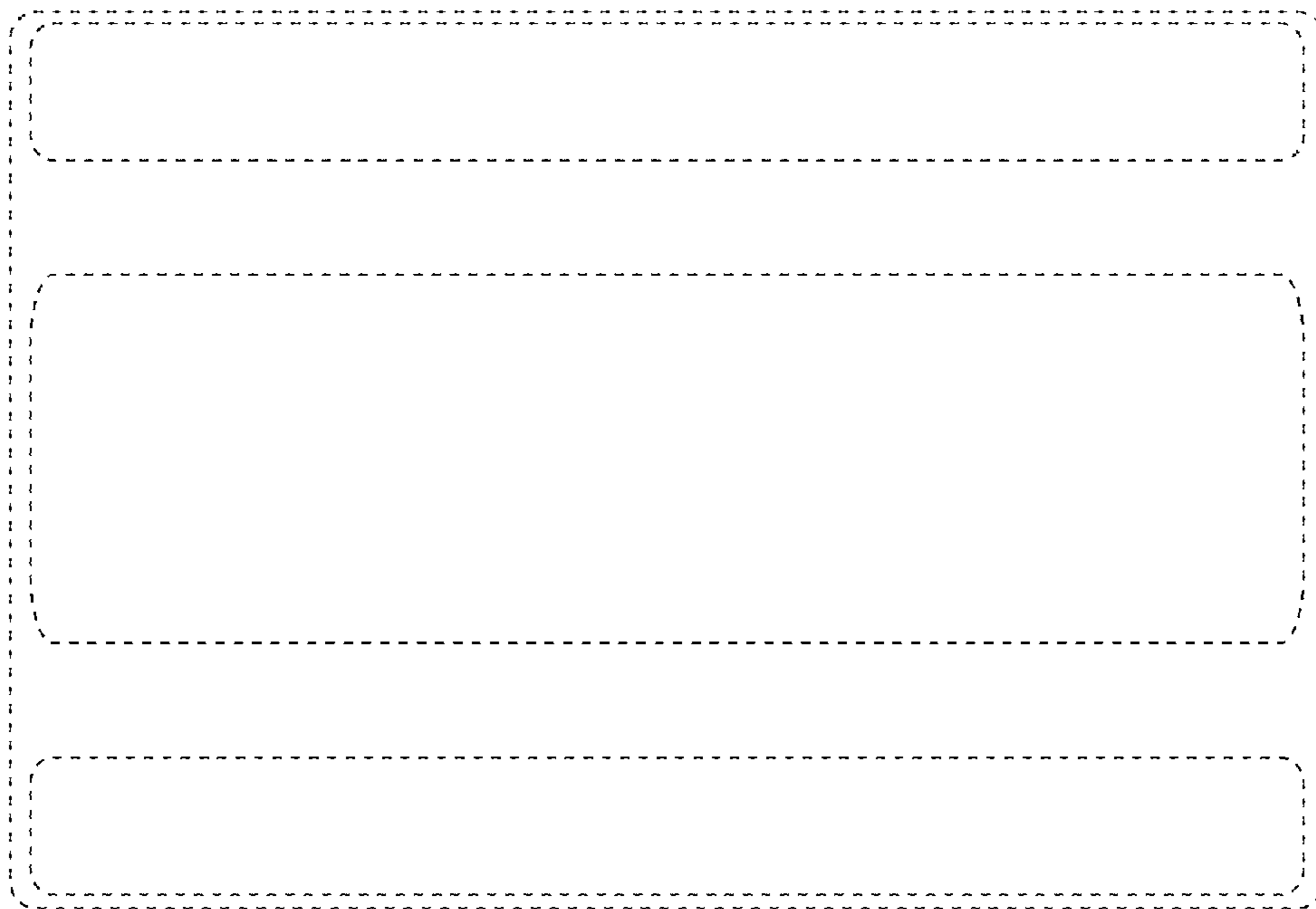


FIG. 6