



US00D676966S

(12) **United States Design Patent**  
**Hurlbert et al.**

(10) **Patent No.:** **US D676,966 S**

(45) **Date of Patent:** **\*\* Feb. 26, 2013**

(54) **SPINAL IMPLANT**

(75) Inventors: **R. John Hurlbert**, Calgary (CA);  
**Stephan J. Duplessis**, Calgary (CA);  
**Lali Sekhon**, Reno, NV (US)

(73) Assignee: **Kinetic Spine Technologies Inc.**,  
Calgary, Alberta (CA)

(\*\*) Term: **14 Years**

(21) Appl. No.: **29/360,282**

(22) Filed: **Apr. 22, 2010**

(30) **Foreign Application Priority Data**

Oct. 22, 2009 (CA) ..... 132647

(51) **LOC (9) Cl.** ..... **24-02**

(52) **U.S. Cl.** ..... **D24/155**

(58) **Field of Classification Search** ..... D24/155-157;  
606/60, 61, 73, 95, 213, 65, 67, 288, 902,  
606/246, 248, 249; 623/17.11, 17.12, 17.13,  
623/17.14, 17.15, 17.16, 23.61, 23.56, 247,  
623/213; D15/143, 139

See application file for complete search history.

(56) **References Cited**

**U.S. PATENT DOCUMENTS**

5,989,291 A 11/1999 Ralph et al.  
6,592,625 B2 7/2003 Cauthen  
6,613,089 B1 9/2003 Estes et al.  
6,723,128 B2 4/2004 Uk  
6,743,257 B2 6/2004 Castro  
7,491,239 B2\* 2/2009 Doubler et al. .... 623/17.14

7,578,849 B2\* 8/2009 Trieu ..... 623/17.15  
7,753,957 B2\* 7/2010 Albert et al. .... 623/17.14  
7,828,850 B2\* 11/2010 Cauthen et al. .... 623/17.16  
7,867,276 B2\* 1/2011 Matge et al. .... 623/17.11  
2005/0125063 A1 6/2005 Matge et al.  
2009/0112326 A1 4/2009 Lehuec et al.

**FOREIGN PATENT DOCUMENTS**

WO 2008123879 10/2008

\* cited by examiner

*Primary Examiner* — Ian Simmons

*Assistant Examiner* — Charles Hanson

(74) *Attorney, Agent, or Firm* — Simpson & Simpson, PLLC

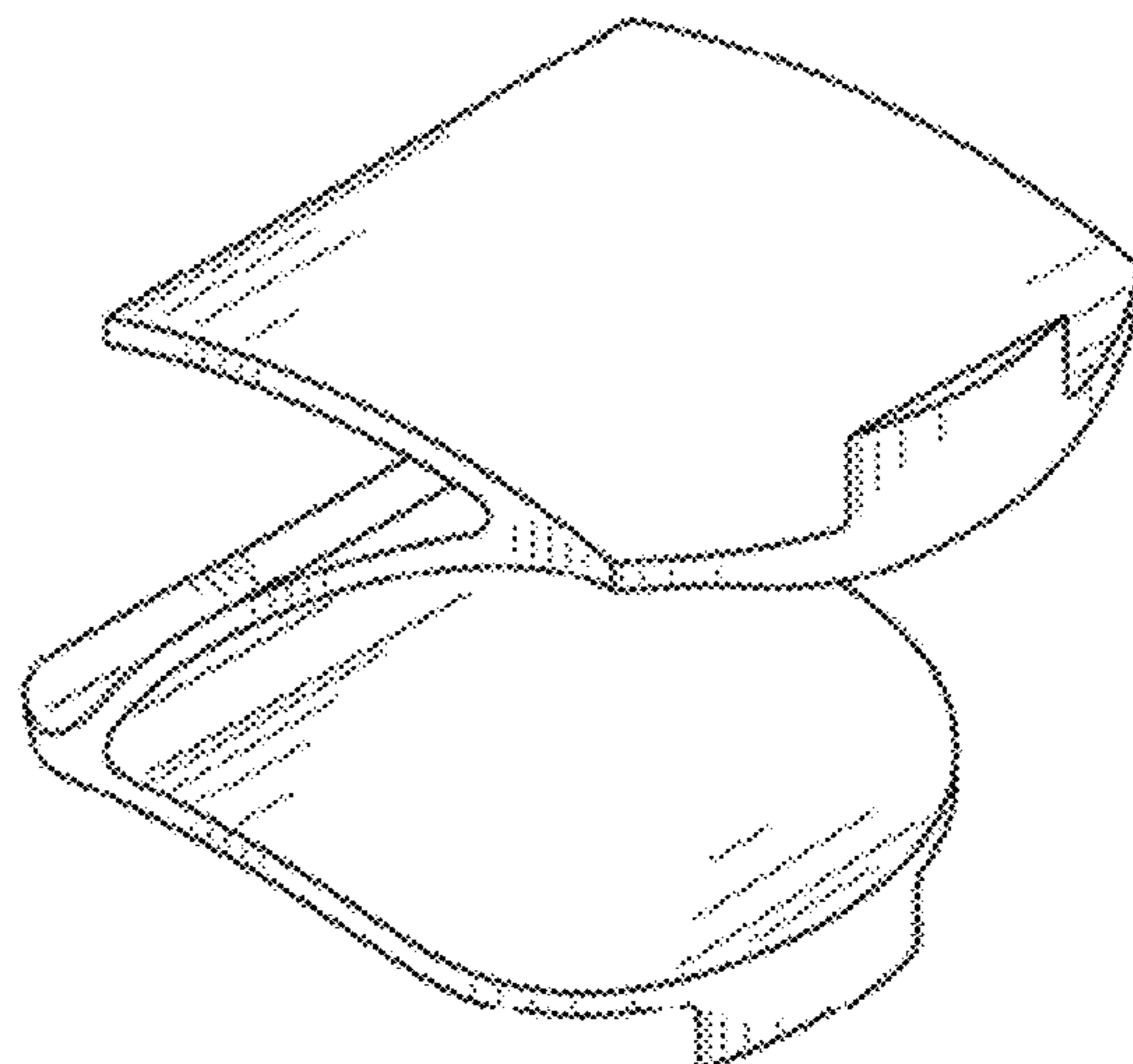
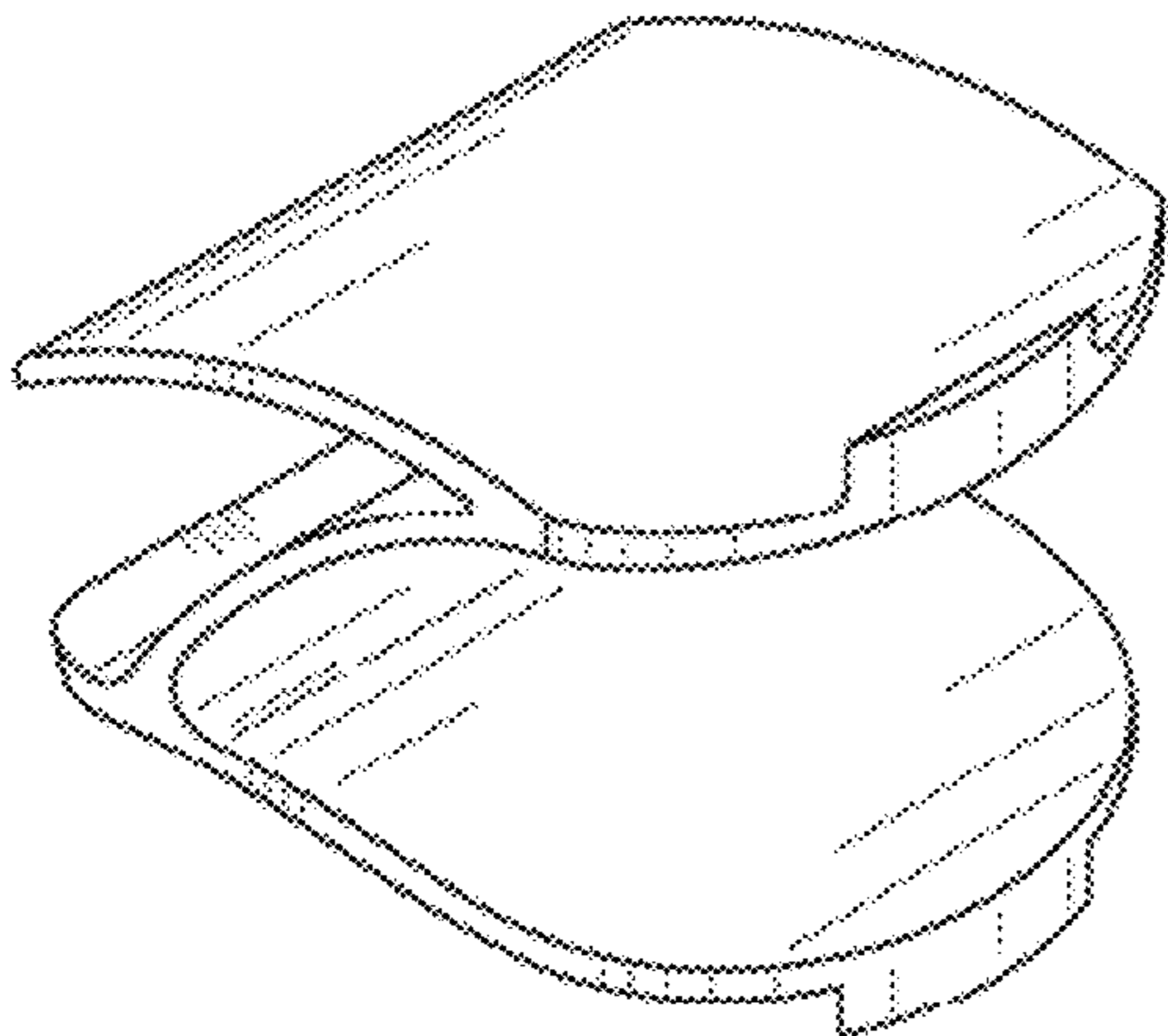
(57) **CLAIM**

The ornamental design for a spinal implant, as shown and described herein.

**DESCRIPTION**

FIG. 1 is a right side elevational view of a first embodiment of the present invention;  
FIG. 2 is a left side elevational view of the first embodiment;  
FIG. 3 is a top plan view of the first embodiment;  
FIG. 4 is a right side perspective view of the first embodiment;  
FIG. 5 is a right side elevational view of a second embodiment of the present invention;  
FIG. 6 is a left side elevational view of the second embodiment;  
FIG. 7 is a top plan view of the second embodiment; and,  
FIG. 8 is a right side perspective view of the second embodiment.

**1 Claim, 2 Drawing Sheets**



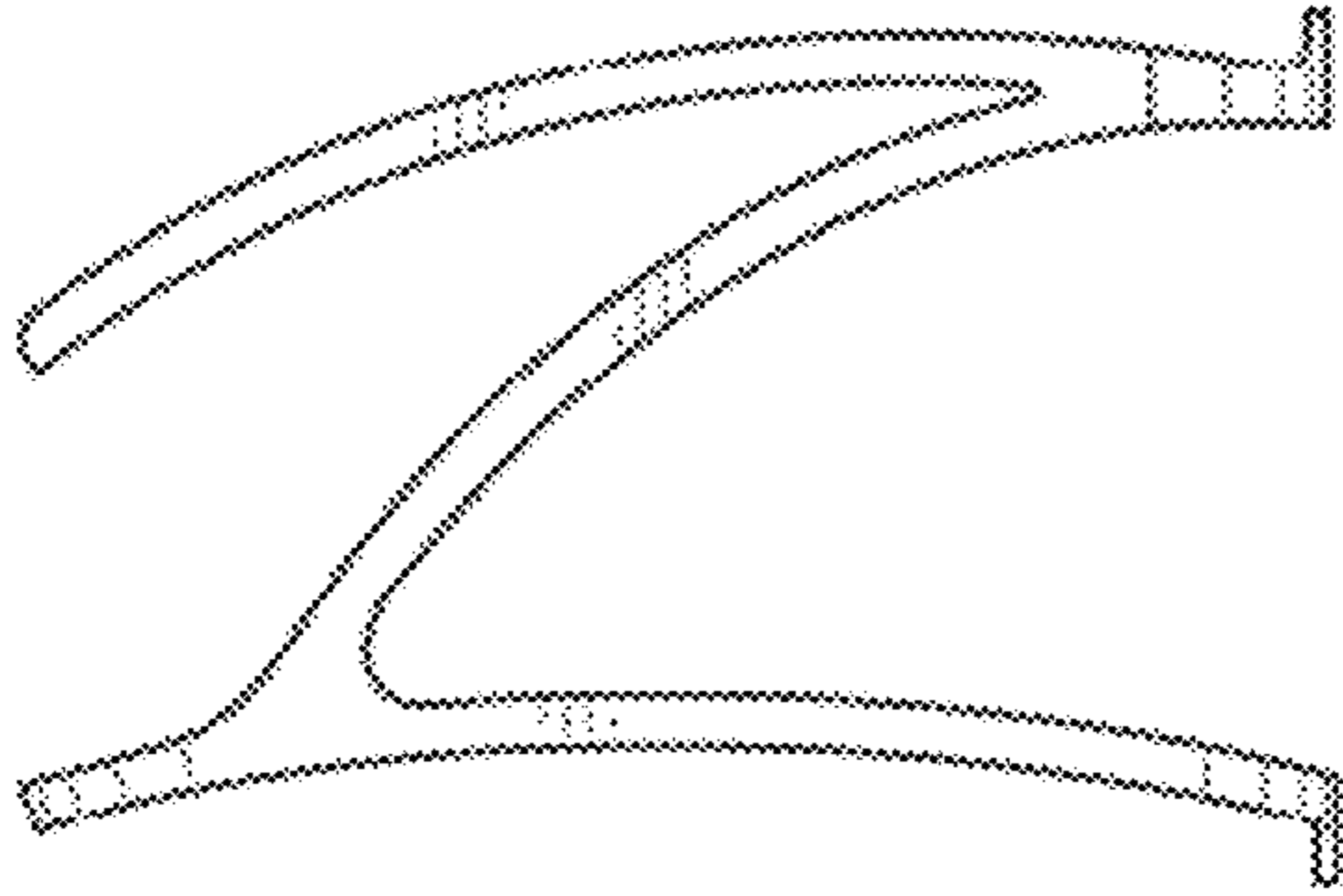


FIG. 1

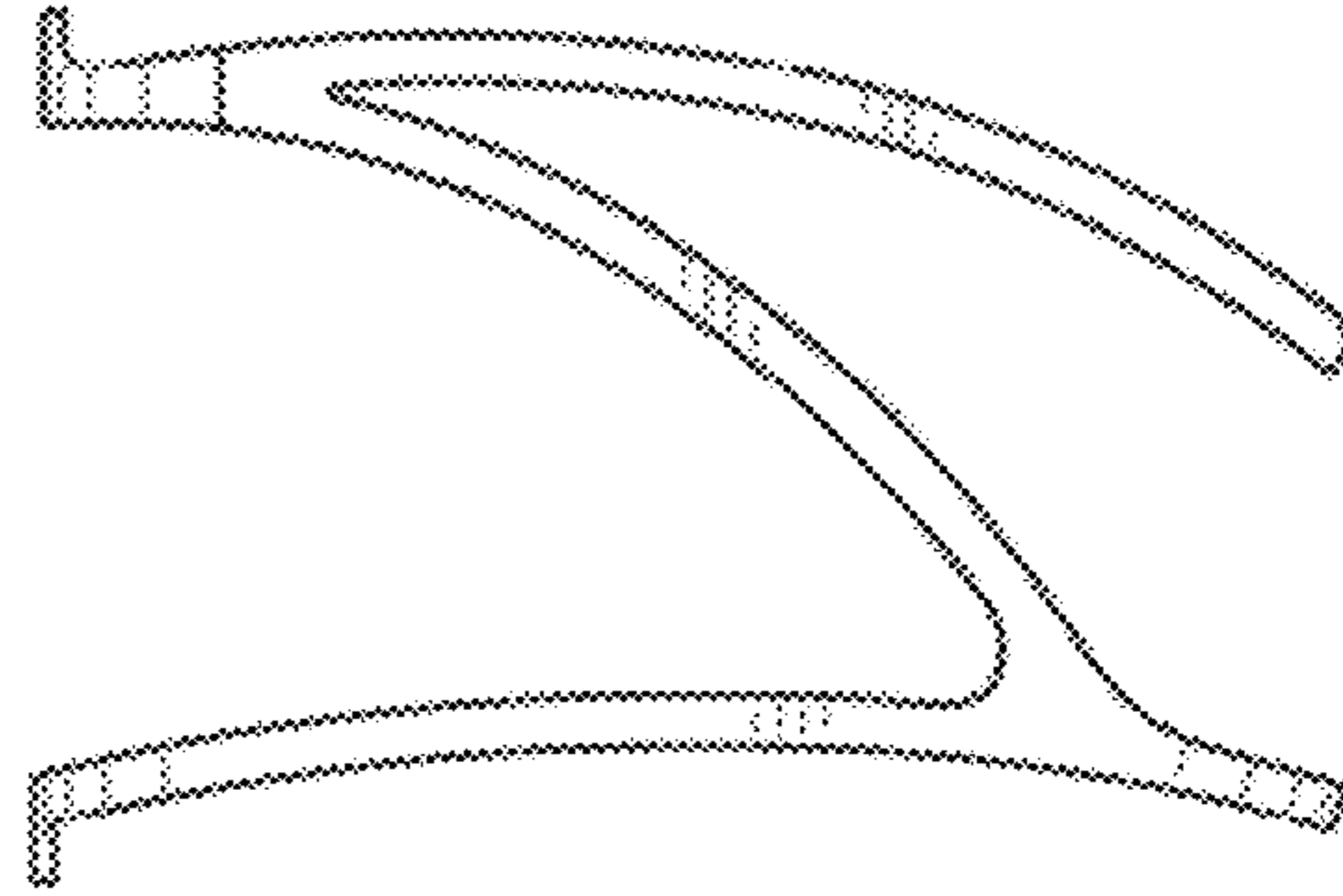


FIG. 2

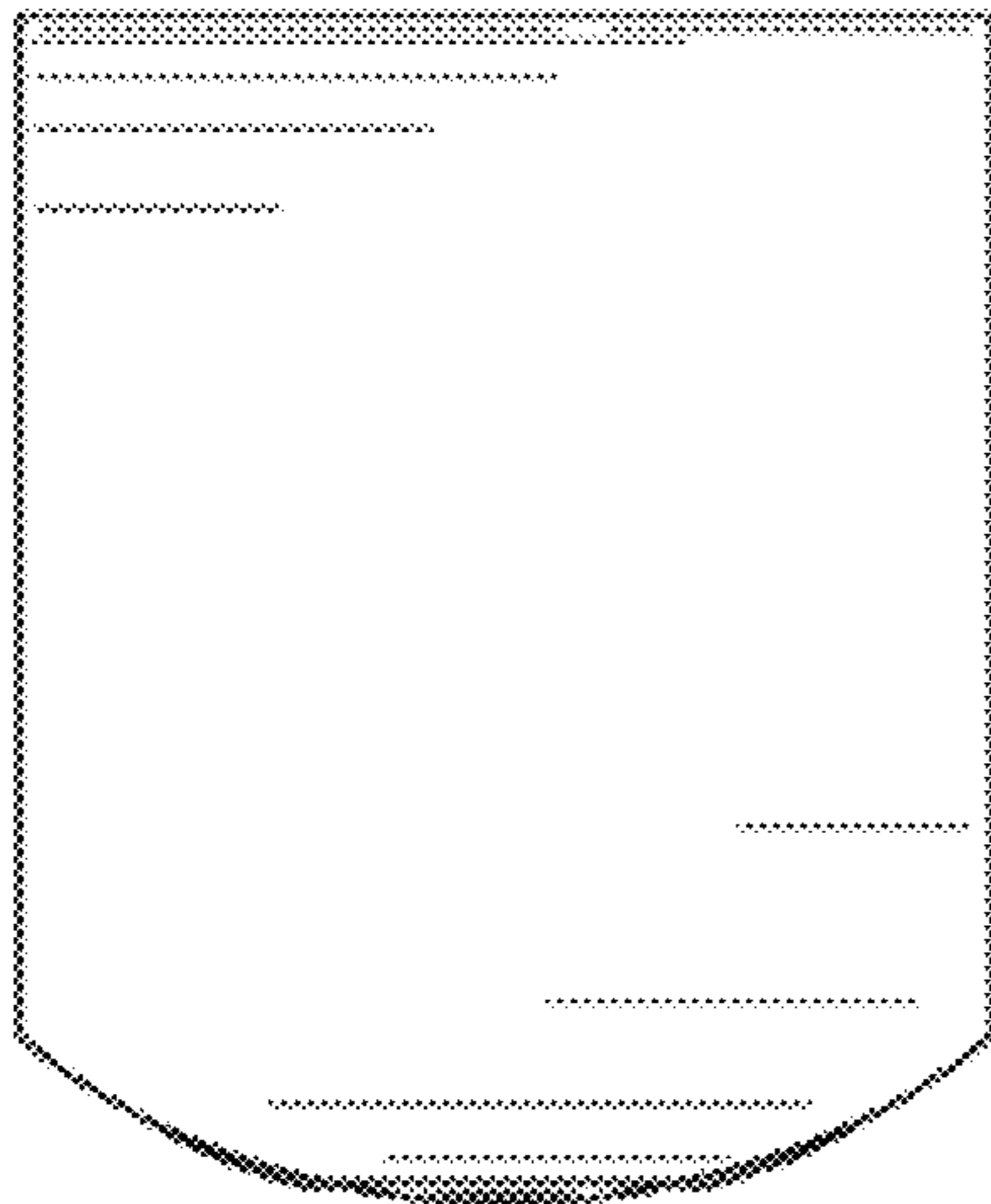


FIG. 3

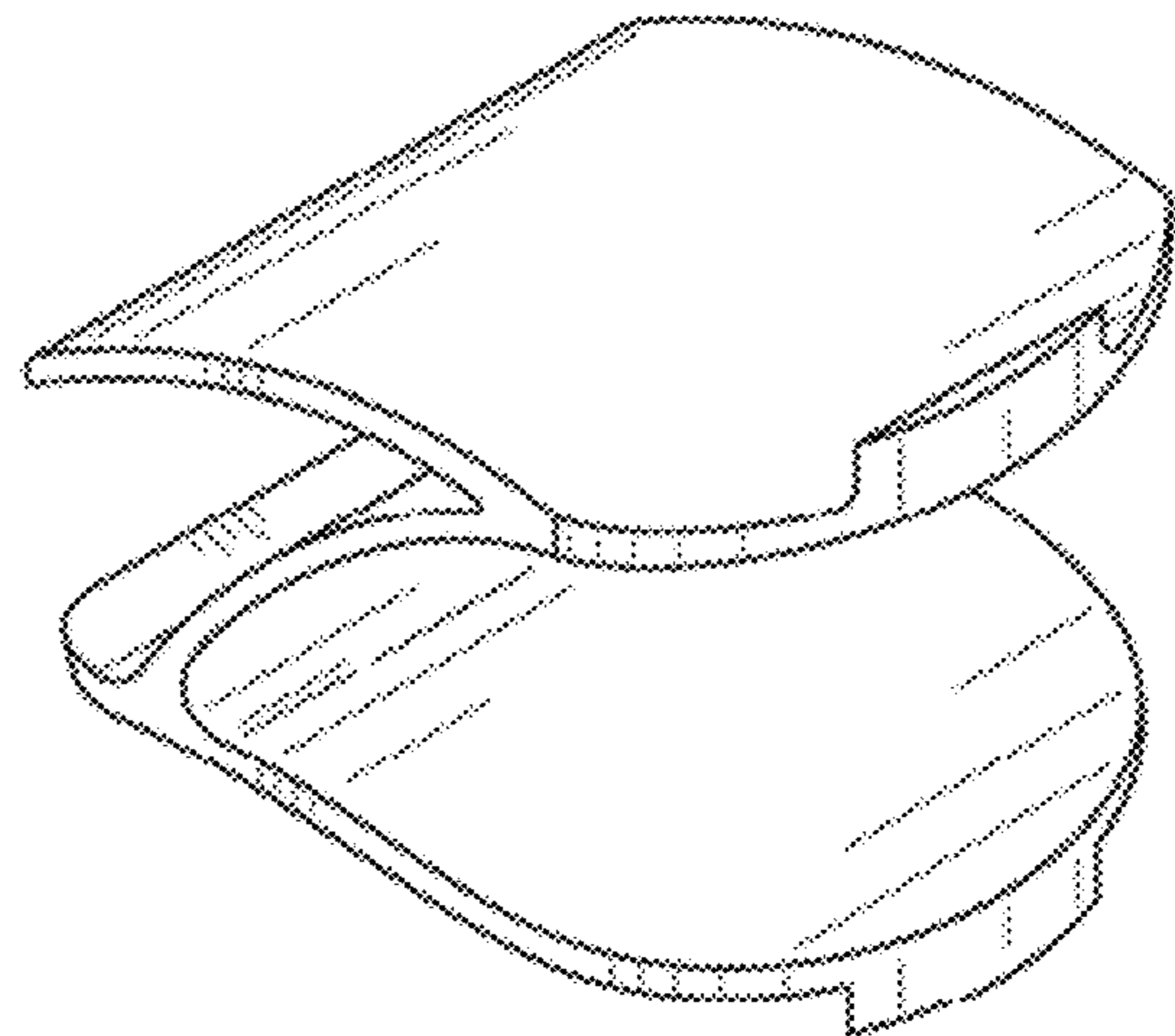


FIG. 4

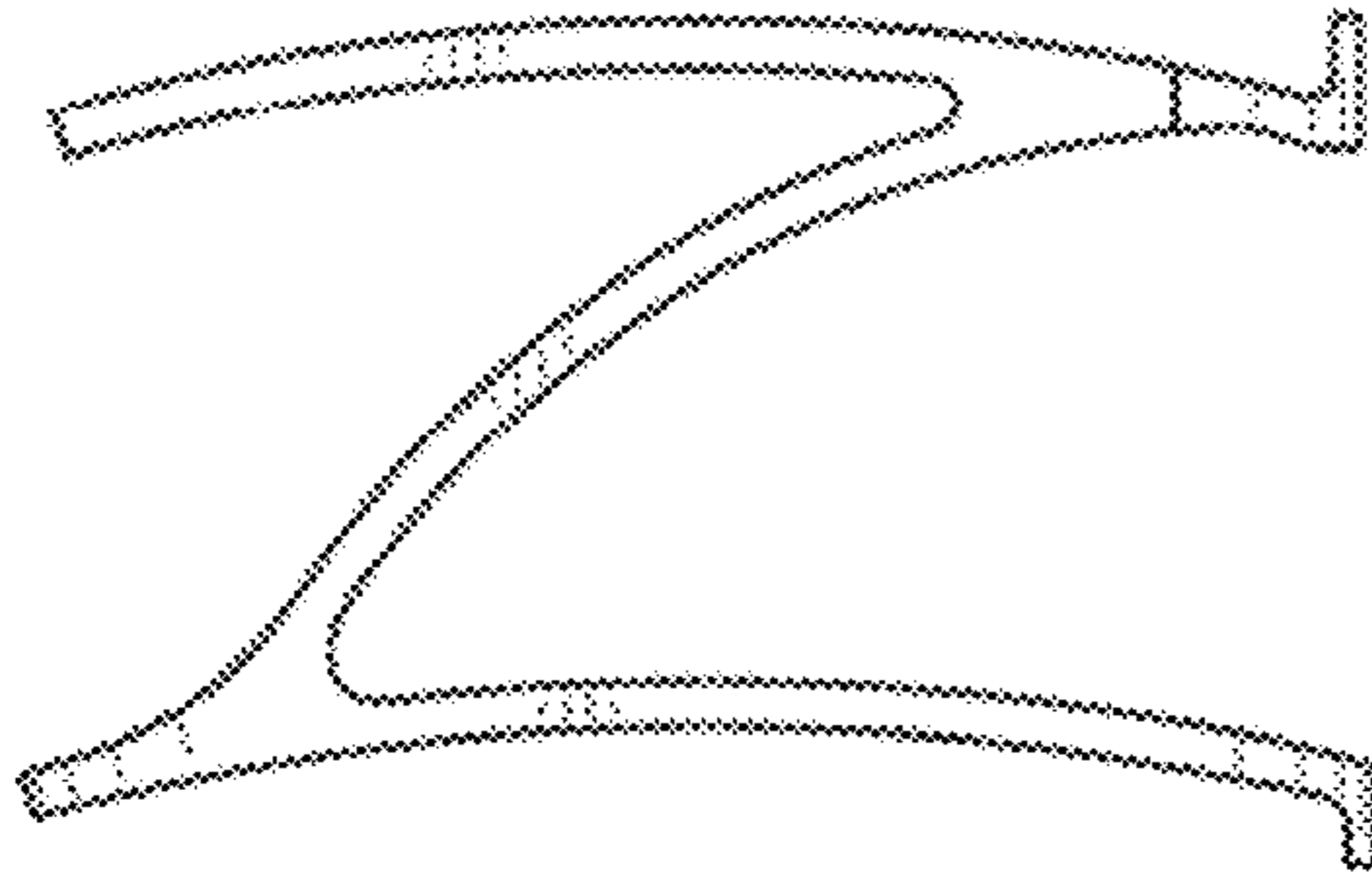


FIG. 5

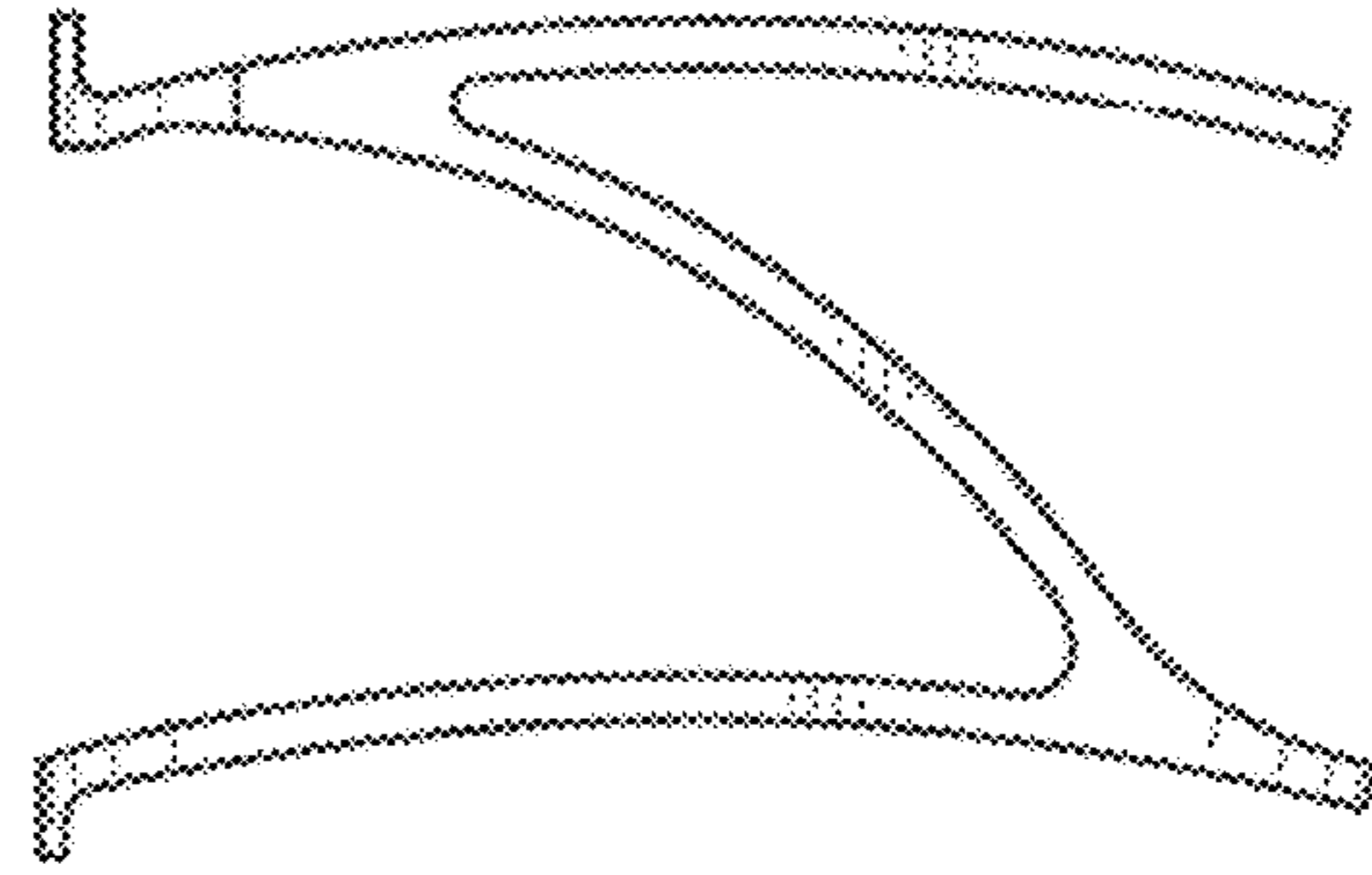


FIG. 6

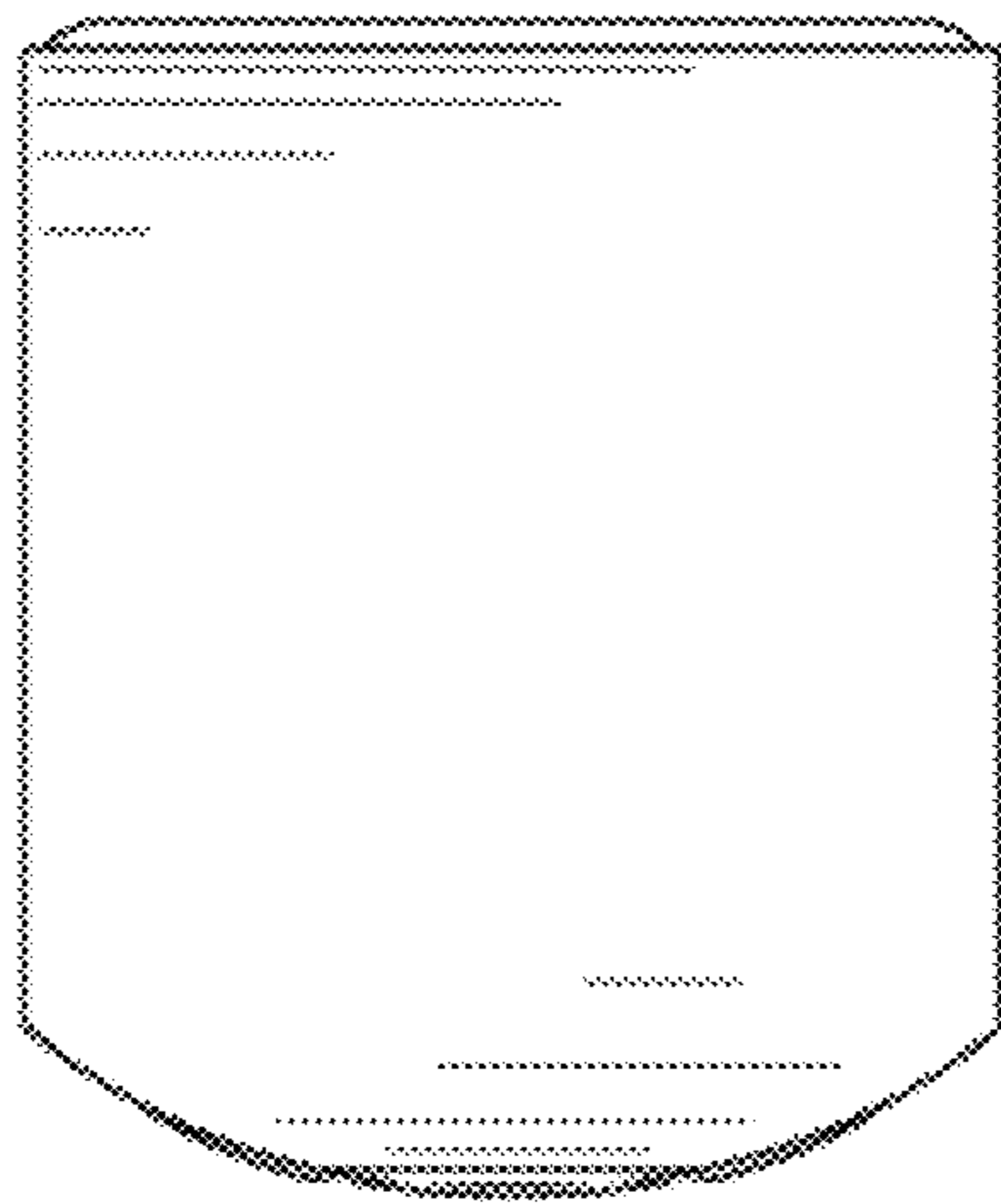


FIG. 7

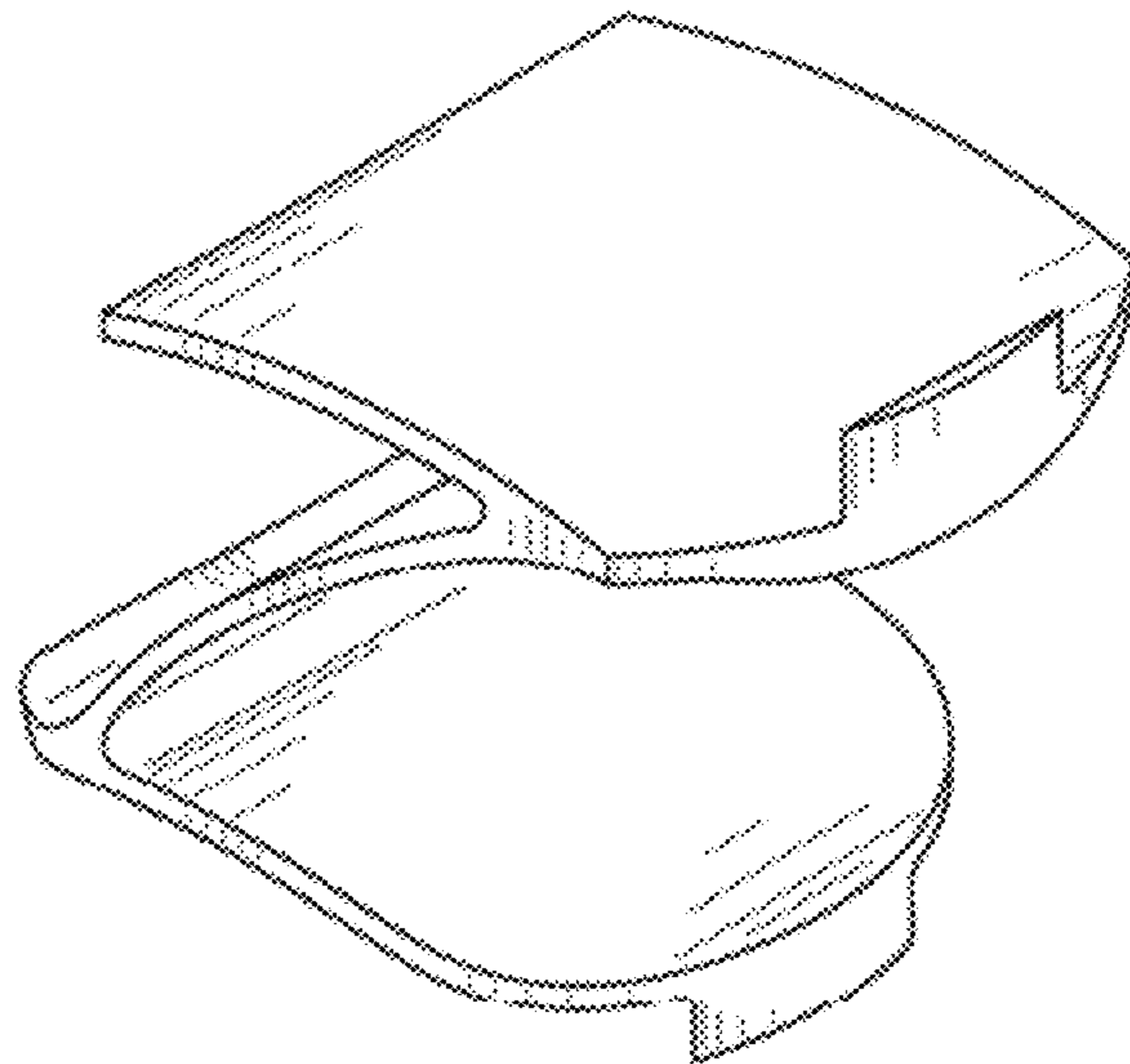


FIG. 8