



US00D676965S

(12) **United States Design Patent**  
**Sibhatu et al.**

(10) **Patent No.:** **US D676,965 S**

(45) **Date of Patent:** **\*\* Feb. 26, 2013**

(54) **DENTAL LAB CLIP AND SPACER SET**

(76) Inventors: **Mussie T. Sibhatu**, Oakland, CA (US);  
**Frederick M. Nester**, Phoenix, AZ (US)

(\*\*) Term: **14 Years**

(21) Appl. No.: **29/417,631**

(22) Filed: **Apr. 5, 2012**

(51) **LOC (9) Cl.** ..... **24-02**

(52) **U.S. Cl.** ..... **D24/152**

(58) **Field of Classification Search** ..... D24/152,  
D24/155-156, 176, 178, 180-182; 433/18,  
433/40, 141, 148-149, 169, 173, 129, 201.1,  
433/140, 172

See application file for complete search history.

(56) **References Cited**

**U.S. PATENT DOCUMENTS**

486,112	A *	11/1892	Kuns	.....	433/149
4,566,138	A *	1/1986	Lewis et al.	.....	623/22.38
D296,714	S *	7/1988	Averill et al.	.....	D24/155
5,145,372	A *	9/1992	Daftary et al.	.....	433/173
5,417,570	A *	5/1995	Zuest et al.	.....	433/173

6,030,219	A *	2/2000	Zuest et al.	.....	433/172
7,083,412	B1 *	8/2006	Karapetyan	.....	433/148
D666,296	S *	8/2012	Sibhatu et al.	.....	D24/156
D666,297	S *	8/2012	Sibhatu et al.	.....	D24/156

\* cited by examiner

*Primary Examiner* — Wan Laymon

(74) *Attorney, Agent, or Firm* — QuickPatents; Kevin Prince

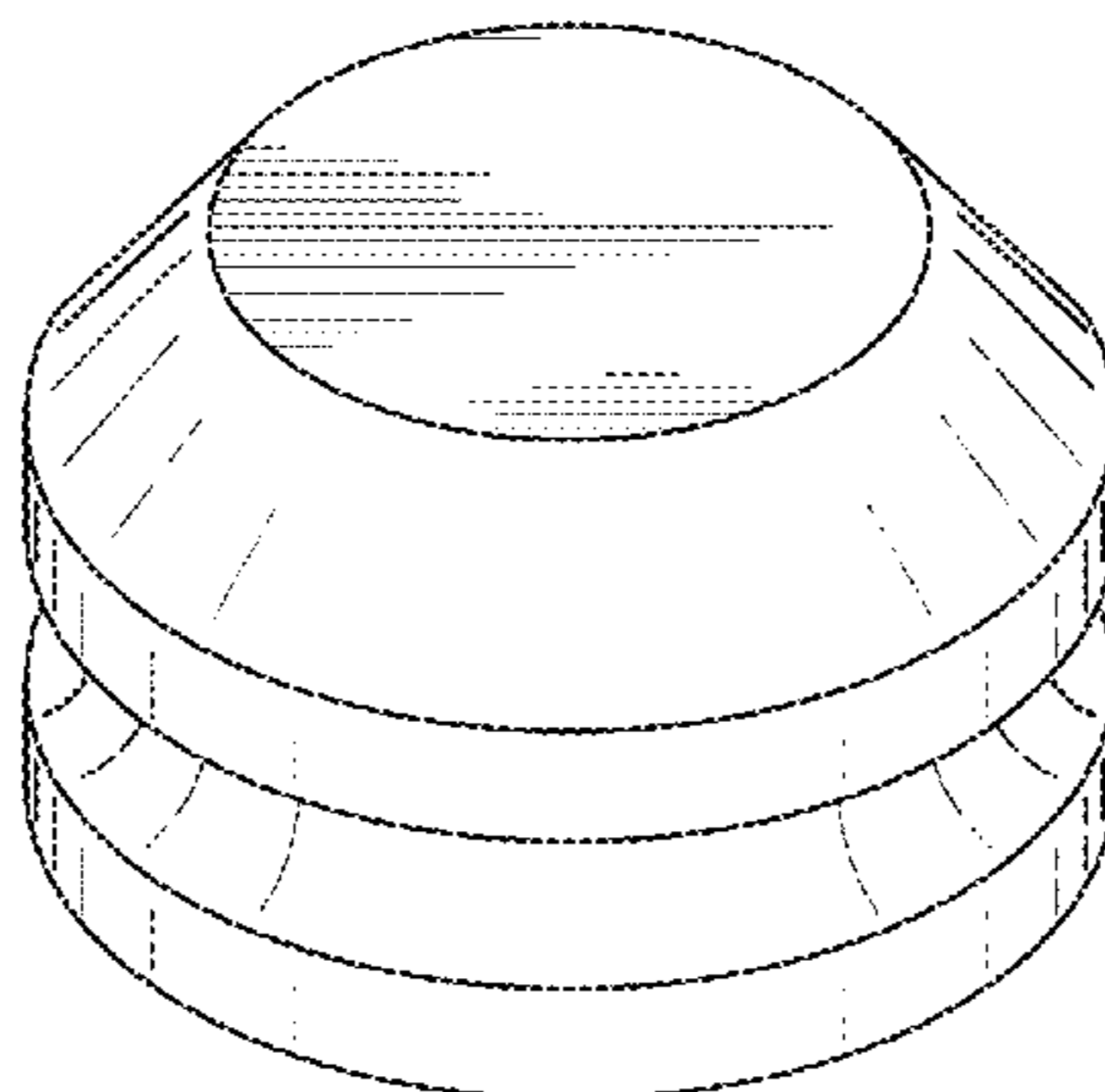
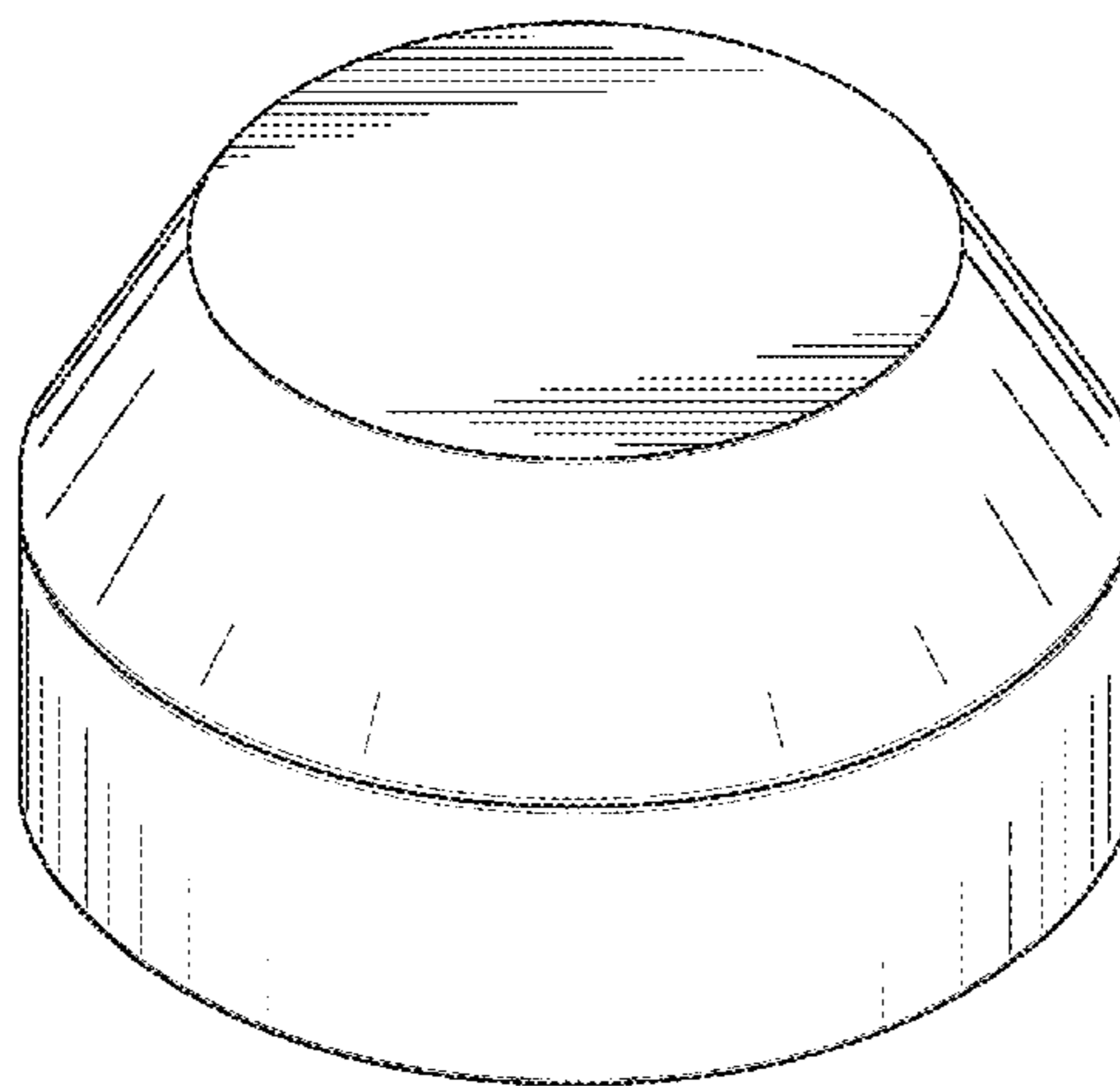
(57) **CLAIM**

We claim the ornamental design for a dental lab clip and spacer set, as shown and described.

**DESCRIPTION**

FIG. 1 is an exploded perspective view of a dental lab clip and spacer set, showing our new design;  
FIG. 2 is an exploded top plan view thereof;  
FIG. 3 is an exploded bottom plan view thereof;  
FIG. 4 is an exploded front elevational view thereof, the rear elevational view, left-side elevational view, and right-side elevational view all being a mirror image thereof; and,  
FIG. 5 is a cross-sectional view thereof, taken generally along lines 5-5 of FIG. 4.

**1 Claim, 3 Drawing Sheets**



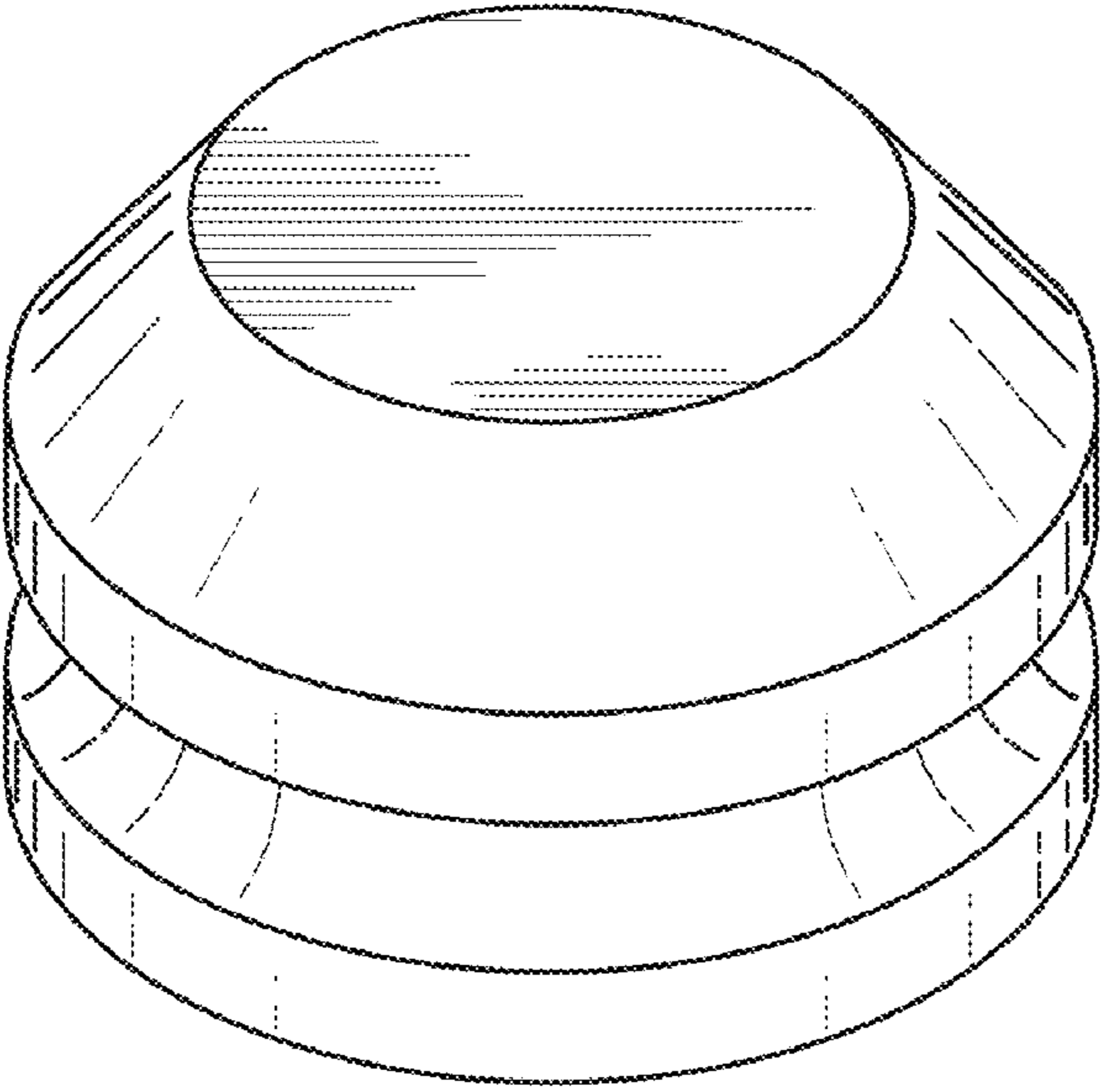
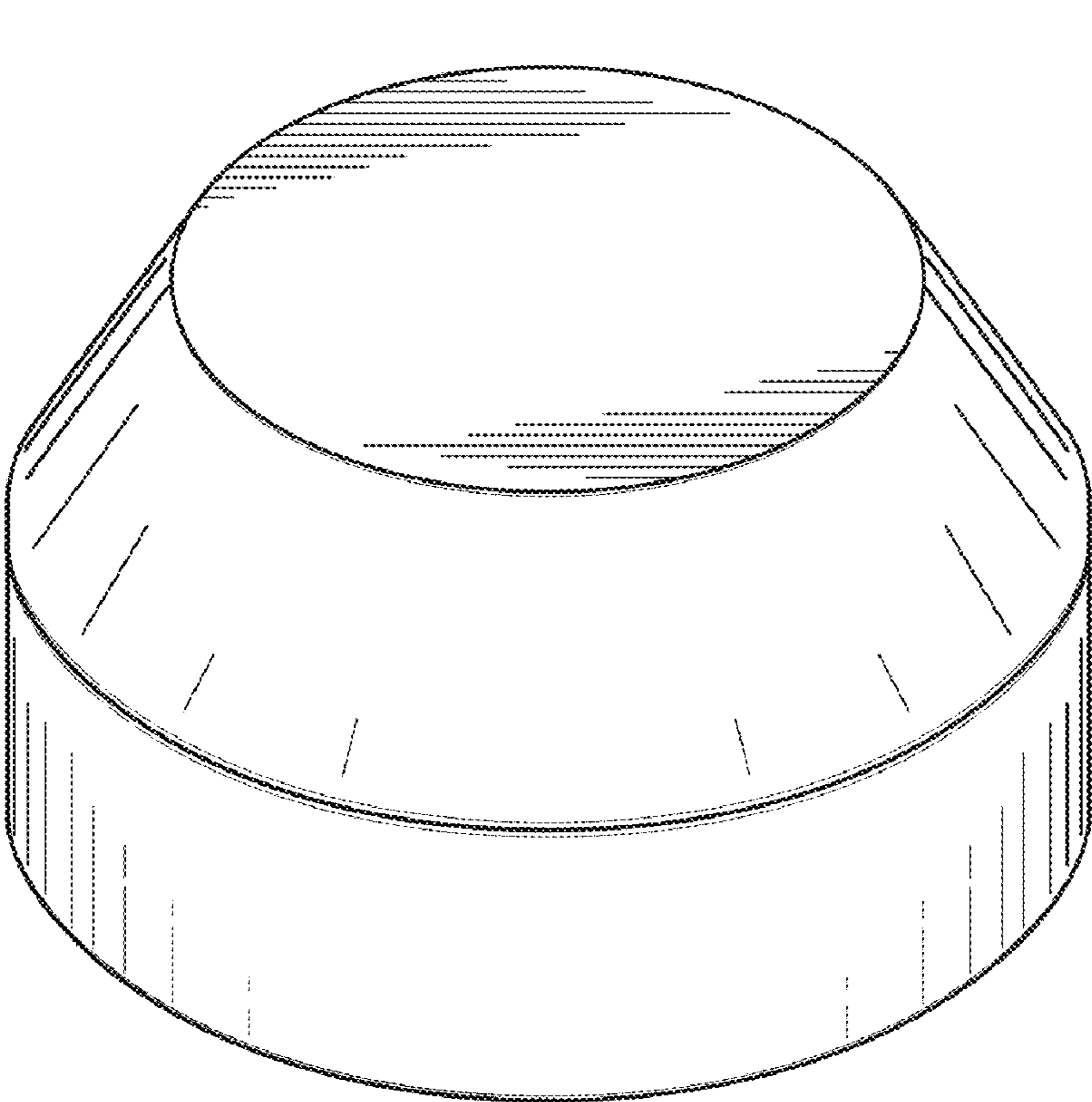


FIG. 1

FIG. 3

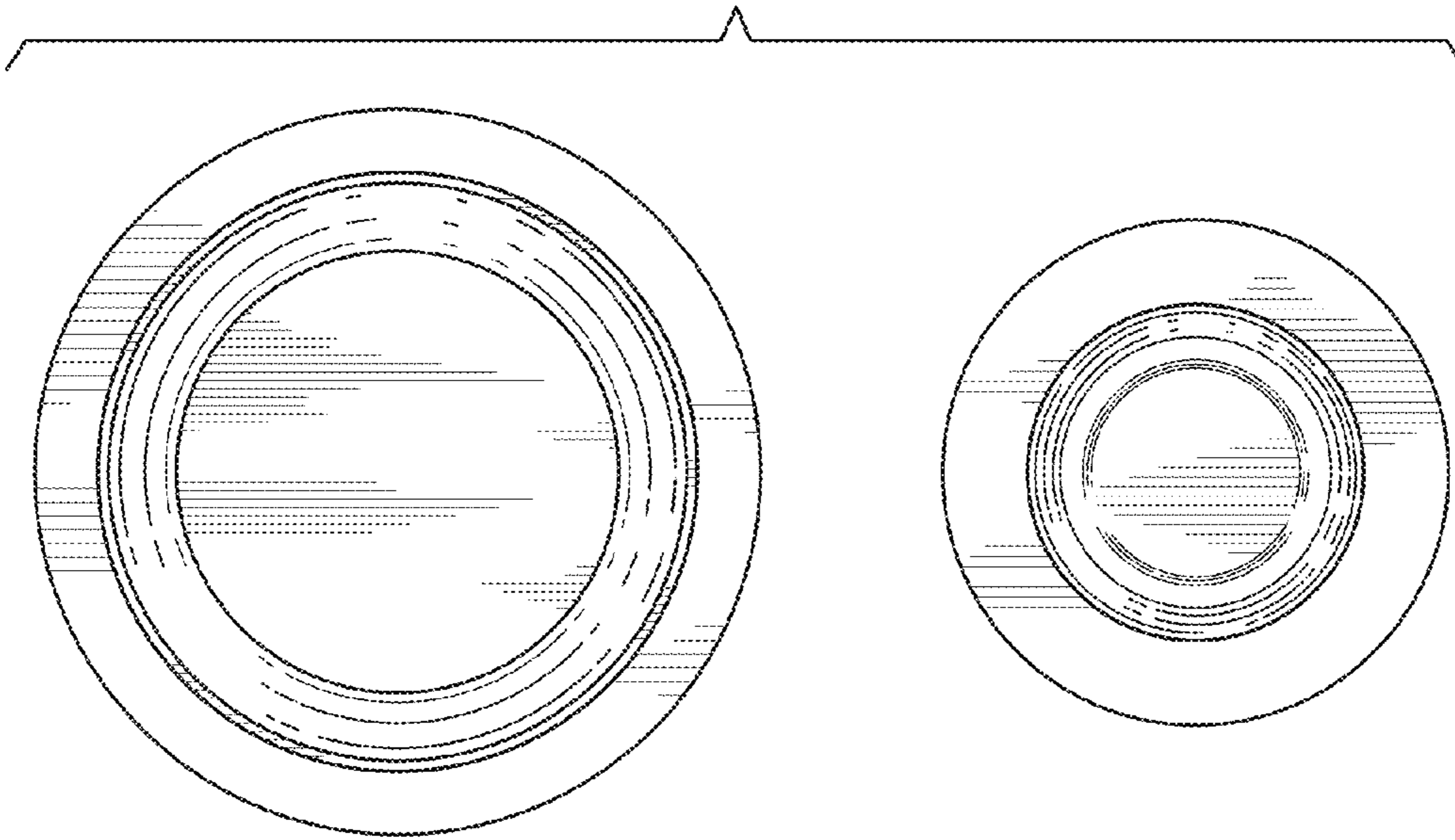


FIG. 2

