



US00D676963S

(12) **United States Design Patent**
Hunt et al.

(10) **Patent No.:** **US D676,963 S**
(45) **Date of Patent:** **** Feb. 26, 2013**

(54) **LINEAR STAPLER DESIGN**

(75) Inventors: **John V. Hunt**, Cincinnati, OH (US);
Cory G. Kimball, Cincinnati, OH (US);
Gregory W. Johnson, Milford, OH (US)

(73) Assignee: **Ethicon Endo-Surgery, Inc.**, Cincinnati, OH (US)

(**) Term: **14 Years**

(21) Appl. No.: **29/398,468**

(22) Filed: **Sep. 23, 2011**

(51) **LOC (9) Cl.** **24-02**

(52) **U.S. Cl.** **D24/145**

(58) **Field of Classification Search** D24/145;
227/175.1, 176.1, 175.2, 179.1, 177.1, 178.1,
227/180.1, 181.1, 182.1, 19, 901-902, 75;
606/75, 219, 418, 142-144
See application file for complete search history.

(56) **References Cited**

U.S. PATENT DOCUMENTS

| | | | | | | |
|-----------|---|---|---------|----------------|-------|-----------|
| D272,851 | S | * | 2/1984 | Green et al. | | D24/145 |
| 4,520,817 | A | * | 6/1985 | Green | | 227/176.1 |
| D285,836 | S | * | 9/1986 | Hunt et al. | | D24/145 |
| 4,633,874 | A | * | 1/1987 | Chow et al. | | 227/176.1 |
| D301,740 | S | * | 6/1989 | Green | | D24/145 |
| D322,143 | S | * | 12/1991 | Spreckelmeier | | D24/145 |
| 5,083,695 | A | * | 1/1992 | Foslien et al. | | 227/175.1 |

| | | | | | | |
|--------------|----|---|---------|------------------|-------|-----------|
| 5,718,359 | A | * | 2/1998 | Palmer et al. | | 227/175.2 |
| D480,808 | S | * | 10/2003 | Wells et al. | | D24/145 |
| 7,517,356 | B2 | * | 4/2009 | Heinrich | | 606/219 |
| 7,571,845 | B2 | * | 8/2009 | Viola | | 227/180.1 |
| 7,954,686 | B2 | * | 6/2011 | Baxter et al. | | 227/176.1 |
| 8,074,861 | B2 | * | 12/2011 | Ehrenfels et al. | | 227/180.1 |
| 2008/0087706 | A1 | * | 4/2008 | Jankowski | | 227/176.1 |
| 2011/0101067 | A1 | * | 5/2011 | Johnson et al. | | 227/176.1 |
| 2011/0278345 | A1 | * | 11/2011 | Ivanko | | 227/177.1 |
| 2011/0315739 | A1 | * | 12/2011 | Sniffin et al. | | 227/176.1 |

* cited by examiner

Primary Examiner — Wan Laymon

(74) *Attorney, Agent, or Firm* — Dean L. Garner

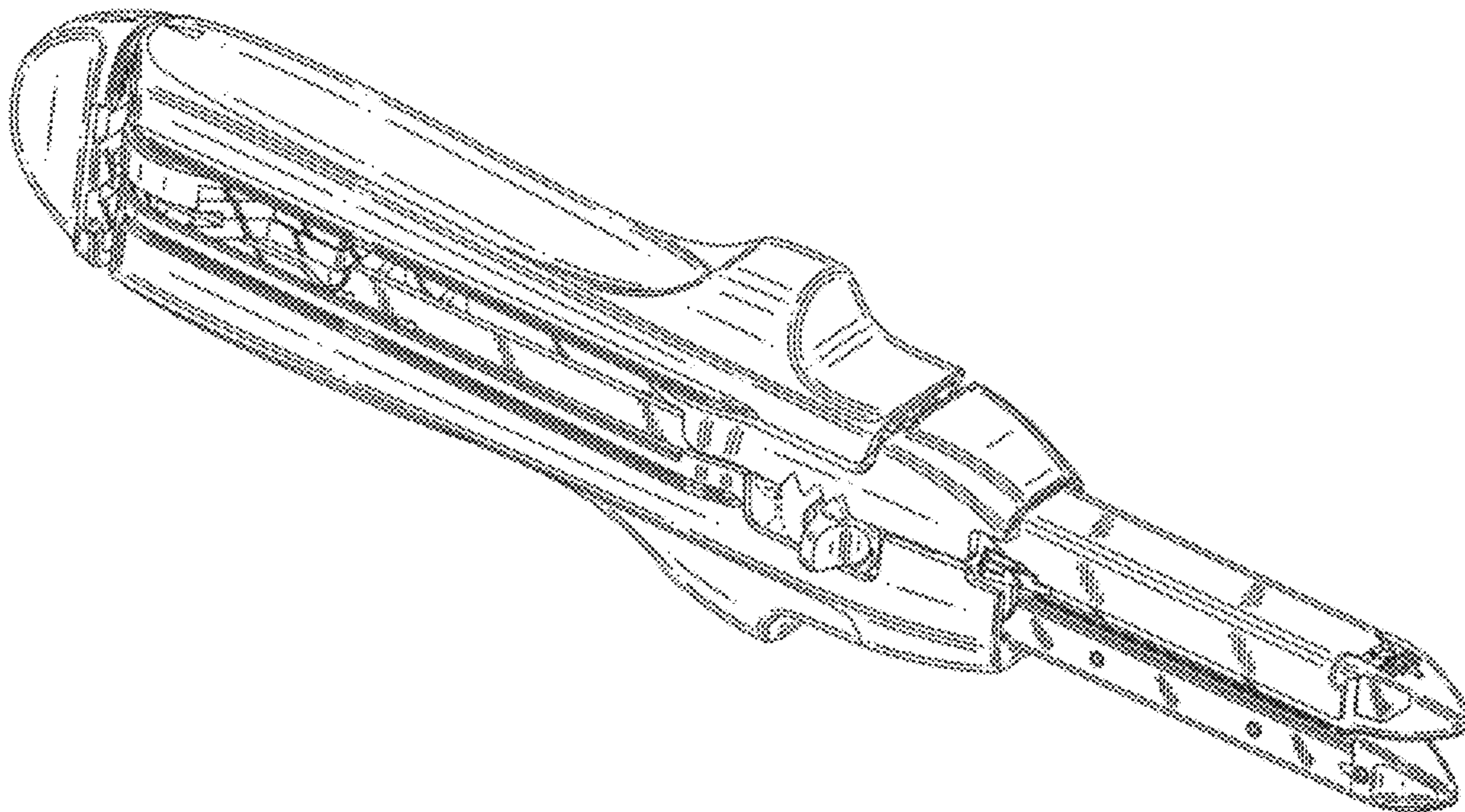
(57) **CLAIM**

The ornamental design for a linear stapler design, as shown and described.

DESCRIPTION

FIG. 1 is perspective view of the linear stapler design; FIG. 2 is a top plan view of the linear stapler design; FIG. 3 is a left side view of the linear stapler design, the right side being a mirror image; FIG. 4 is a bottom plan view of the linear stapler design; FIG. 5 is a front end view of the linear stapler design; and, FIG. 6 is a rear end view of the linear stapler design. The broken lines shown in the drawings represent portions of the linear stapler design that form no part of the claimed design.

1 Claim, 4 Drawing Sheets



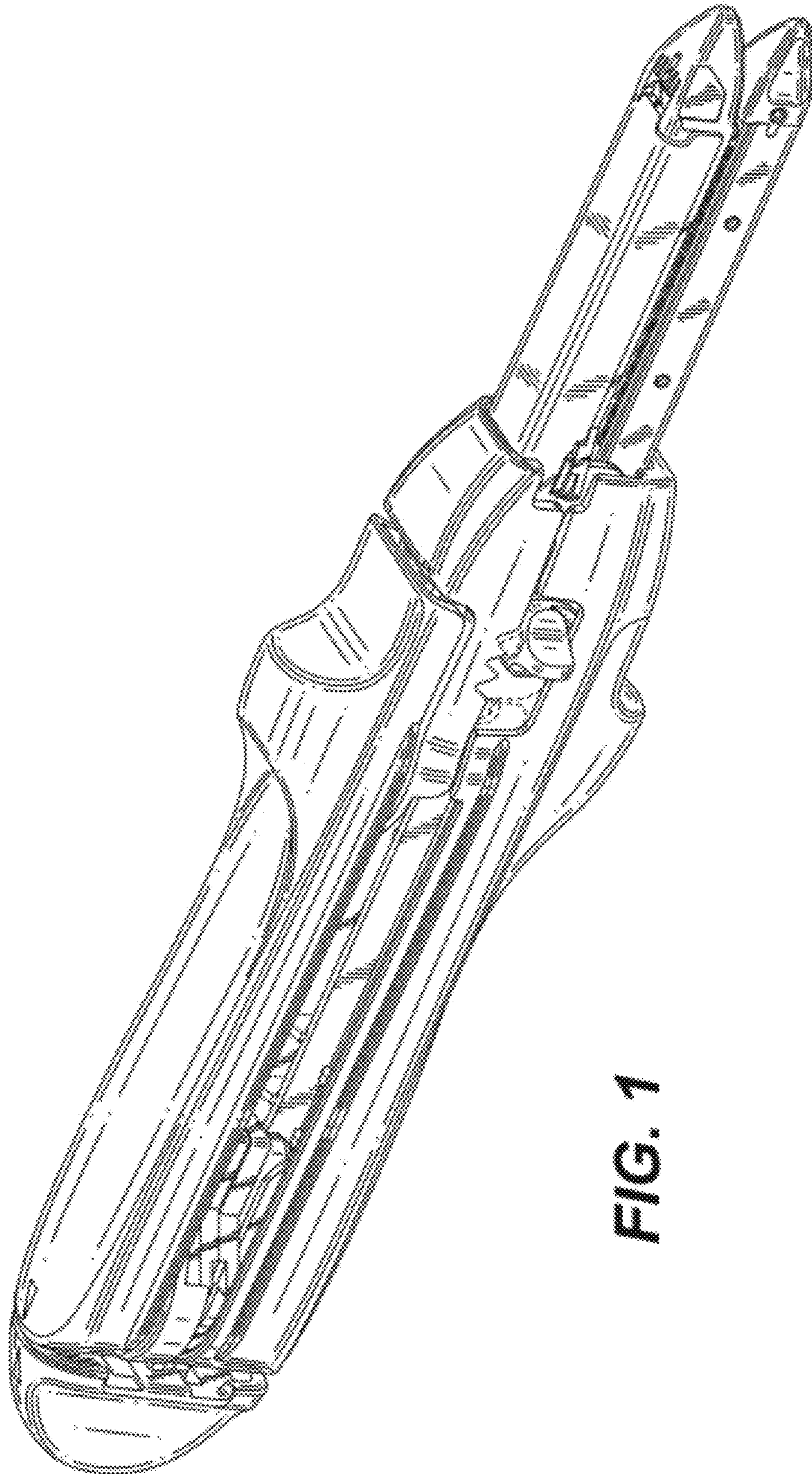


FIG. 1

FIG. 2

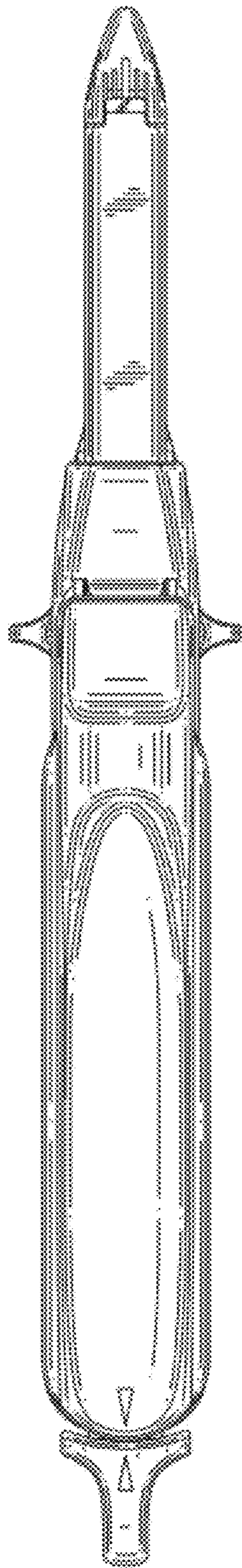


FIG. 3

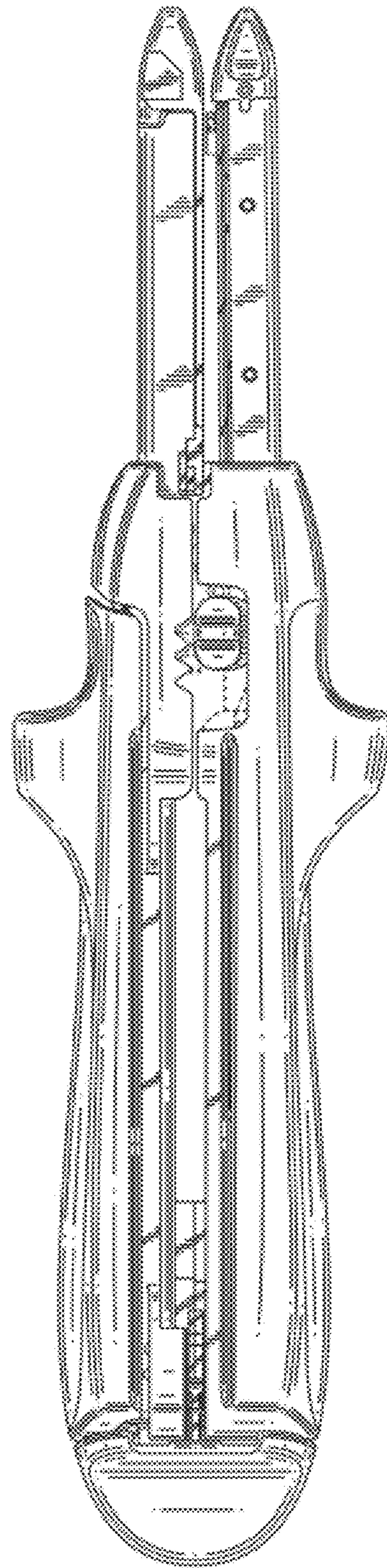


FIG. 4

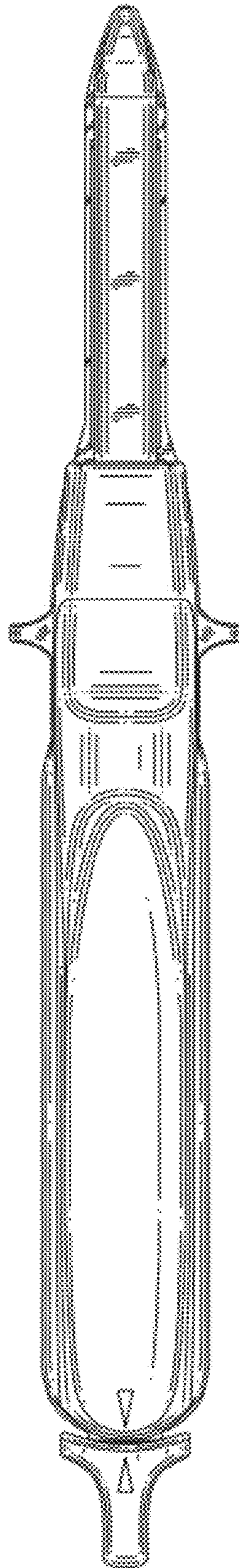


FIG. 5

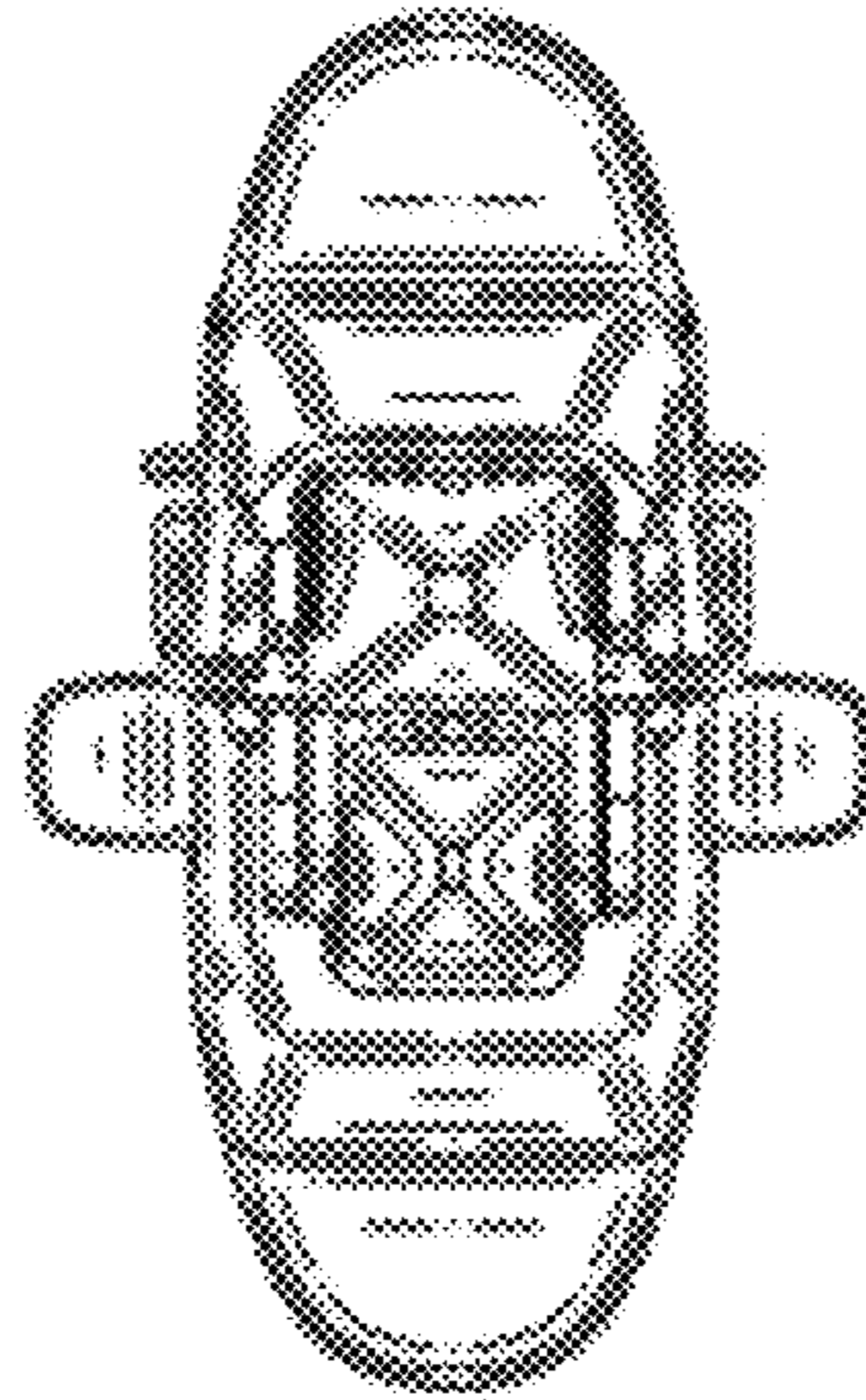


FIG. 6

