

US00D676962S

(12) **United States Design Patent**  
**Cheney et al.**

(10) **Patent No.:** **US D676,962 S**

(45) **Date of Patent:** **\*\* Feb. 26, 2013**

(54) **ORTHOPEDIC STAPLE TAMP**

(75) Inventors: **Daniel F. Cheney**, San Antonio, TX (US); **Adam T. Knight**, San Antonio, TX (US); **Eric A. Marcano**, San Antonio, TX (US); **David J. Pancratz**, Helotes, TX (US)

(73) Assignee: **Biomedical Enterprises, Inc.**, San Antonio, TX (US)

(\*\*) Term: **14 Years**

(21) Appl. No.: **29/395,199**

(22) Filed: **Dec. 16, 2011**

(51) **LOC (9) Cl.** ..... **24-02**

(52) **U.S. Cl.** ..... **D24/145**

(58) **Field of Classification Search** ..... D24/133, D24/145, 171; D8/390; 227/175.1, 175.3, 227/107, 110, 124, 902; 606/60, 75, 86 R, 606/139, 148, 213, 219

See application file for complete search history.

(56) **References Cited**

U.S. PATENT DOCUMENTS

3,209,754	A *	10/1965	Brown	.....	D24/145
4,402,445	A *	9/1983	Green	.....	D24/145
4,836,205	A *	6/1989	Barrett	.....	D24/145
6,436,110	B2 *	8/2002	Bowman et al.	.....	606/75

7,111,768	B2 *	9/2006	Cummins et al.	.....	227/175.1
7,846,164	B2 *	12/2010	Castillo et al.	.....	606/95
2005/0096660	A1 *	5/2005	Allen	.....	606/75
2010/0063506	A1 *	3/2010	Fox et al.	.....	606/75
2010/0237128	A1 *	9/2010	Miller et al.	.....	227/175.1
2012/0083791	A1 *	4/2012	Cheney et al.	.....	606/99

OTHER PUBLICATIONS

BME Speed. [Retrieved on Aug. 27, 2012]. Retrieved from the Internet: <URL: <http://footandanklefixation.blogspot.com/2011/11/new-product-bme-speed.html>>.\*

\* cited by examiner

*Primary Examiner* — Wan Laymon

(74) *Attorney, Agent, or Firm* — Christopher L. Makay

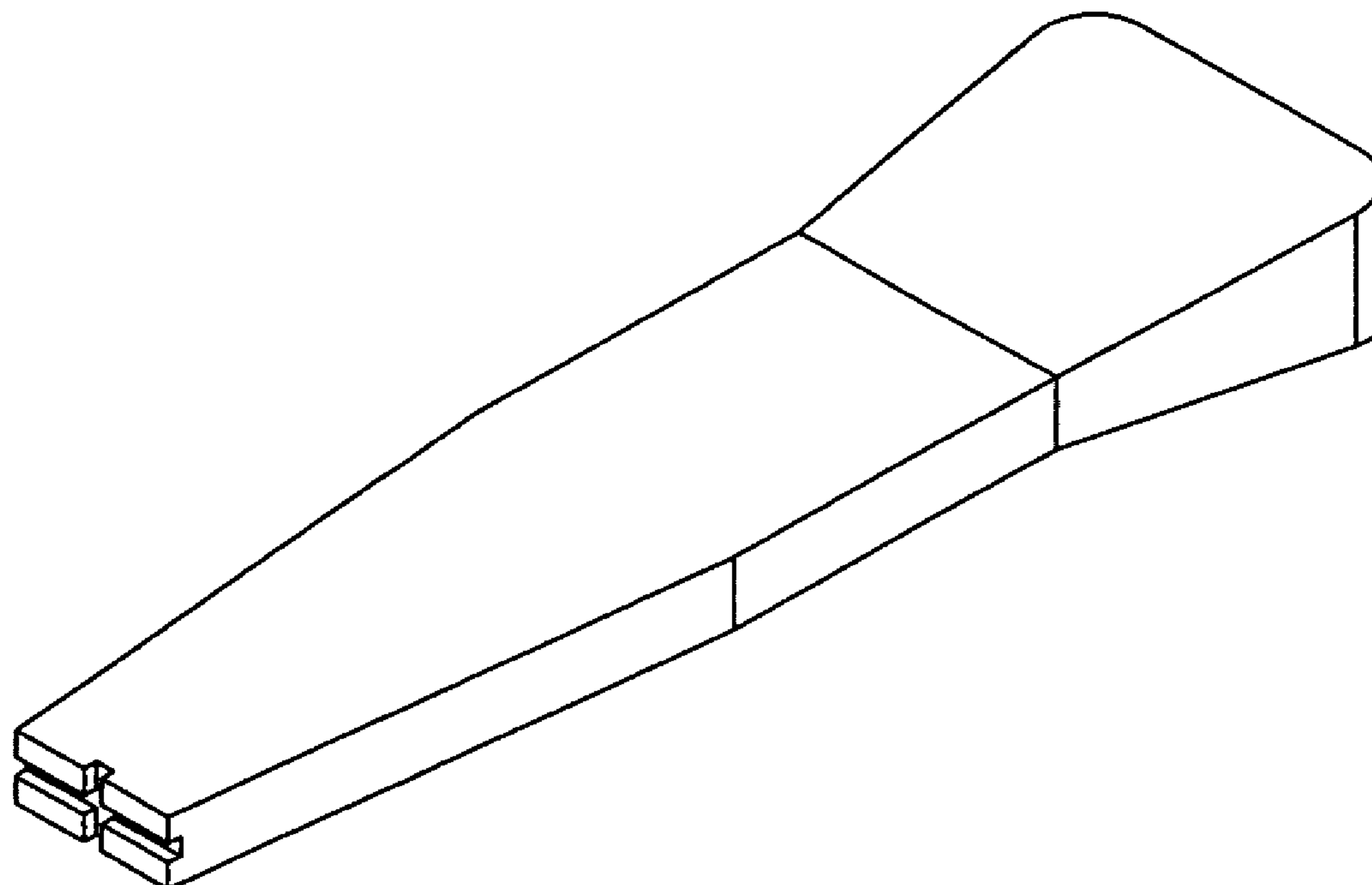
(57) **CLAIM**

The ornamental design for an orthopedic staple tamp, as shown and described.

**DESCRIPTION**

FIG. 1 is a front plan view of the orthopedic staple tamp according to our new design; FIG. 2 is a rear plan view thereof; FIG. 3 is a right side view thereof; FIG. 4 is a left side view thereof; FIG. 5 is a top view thereof; FIG. 6 is a bottom view thereof; and, FIG. 7 is a perspective view thereof.

**1 Claim, 2 Drawing Sheets**



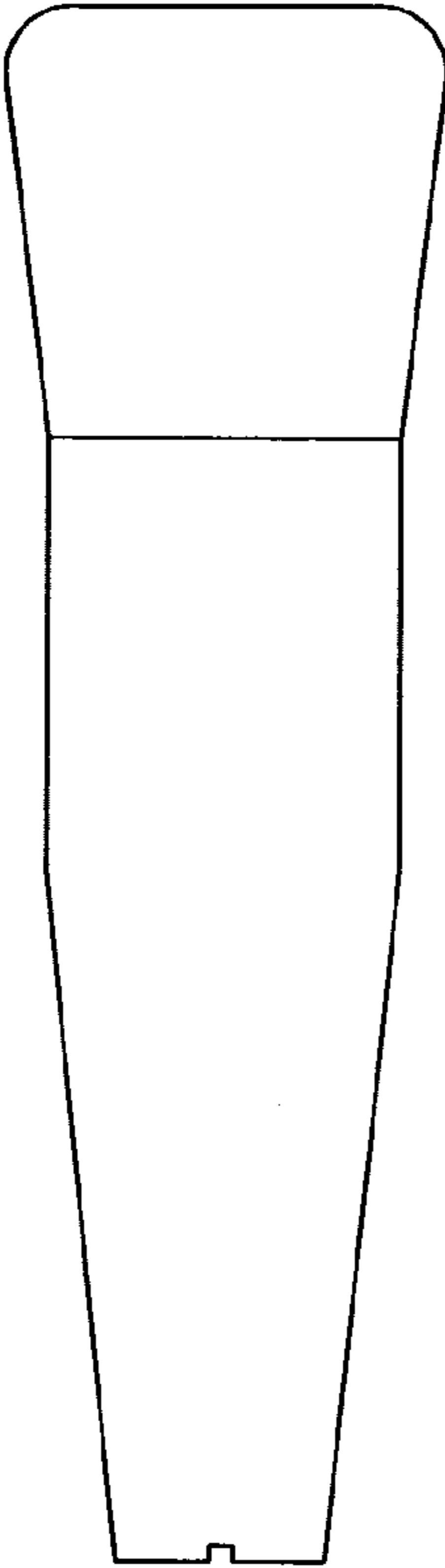


FIG. 1

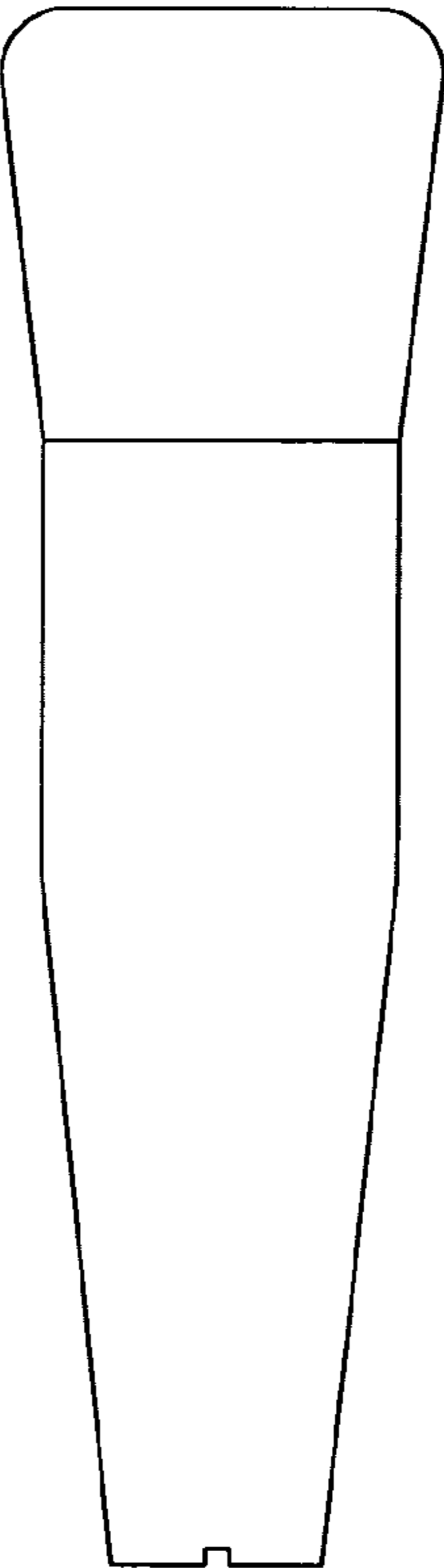


FIG. 2

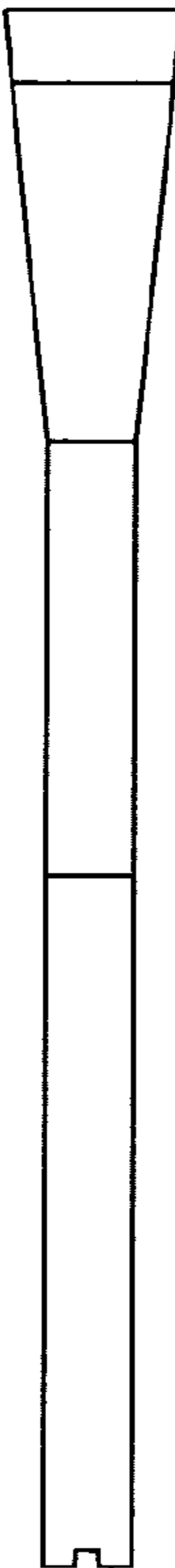


FIG. 3



FIG. 4



FIG. 5

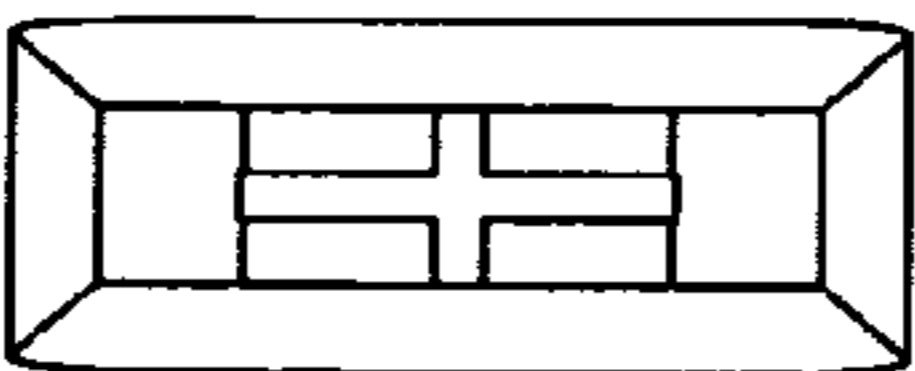


FIG. 6

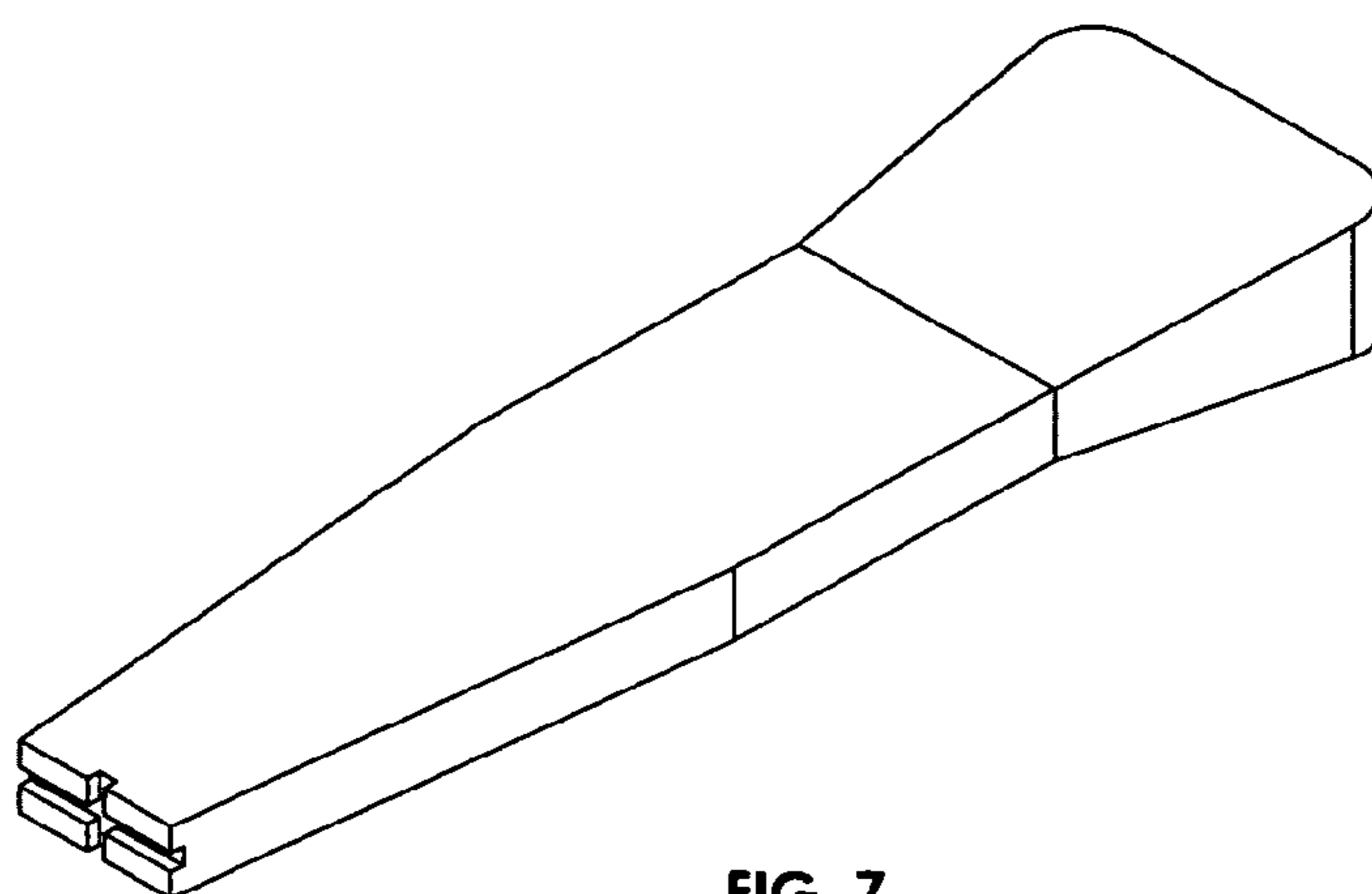


FIG. 7