



US00D676961S

(12) **United States Design Patent**
Hatch et al.

(10) **Patent No.:** **US D676,961 S**

(45) **Date of Patent:** **** Feb. 26, 2013**

(54) **PNEUMATIC AMPLIFIER HEAD**

(76) Inventors: **Richard P. Hatch**, Holladay, UT (US);
Jesse R. Curtis, Salt Lake City, UT (US)

(**) Term: **14 Years**

(21) Appl. No.: **29/406,471**

(22) Filed: **Nov. 15, 2011**

(51) **LOC (9) Cl.** **24-02**

(52) **U.S. Cl.** **D24/134; D14/134**

(58) **Field of Classification Search** D14/188,
D14/194, 195, 217, 265; D24/133, 134;
181/131-137; 137/82, 84; D13/115, 118,
D13/122

See application file for complete search history.

(56) **References Cited**

U.S. PATENT DOCUMENTS

D205,171	S *	6/1966	Littmann	D24/134
3,288,246	A *	11/1966	Allen	181/135
D208,125	S *	7/1967	Cafaly	D24/134
3,346,069	A *	10/1967	Speelman	181/135
D214,002	S *	4/1969	Machlup et al.	D24/134
D230,212	S *	1/1974	Hart	D24/134
4,633,971	A	1/1987	Robbins		
6,523,639	B1	2/2003	Shieh		
D485,357	S *	1/2004	Kapinos, Sr.	D24/134
6,725,966	B2	4/2004	Drummond		
D492,311	S *	6/2004	Suzuki	D14/402
6,848,537	B2	2/2005	Deslauriers et al.		
6,957,127	B1 *	10/2005	Smart et al.	700/289

D555,789	S *	11/2007	Norleen	D24/134
7,441,629	B2	10/2008	Brudkiewicz-Krysztof et al.		
D583,940	S *	12/2008	Wong	D24/134
D625,804	S *	10/2010	Sternberger	D24/134
D639,426	S *	6/2011	Boyd et al.	D24/134
2004/0114767	A1 *	6/2004	Tseng	381/67
2006/0137932	A1	6/2006	Hatch		

* cited by examiner

Primary Examiner — Keli L Hill

(74) *Attorney, Agent, or Firm* — Geoffrey E. Dobbin;
Dobbin IP Law, P.C.

(57) **CLAIM**

The ornamental design for a pneumatic amplifier head, as shown and described.

DESCRIPTION

FIG. 1 is a perspective view of the pneumatic amplifier head. FIG. 2 is a right elevation of the pneumatic amplifier head, the left elevation being a mirror image thereof.

FIG. 3 is a front elevation of the pneumatic amplifier head.

FIG. 4 is a rear elevation of the pneumatic amplifier head.

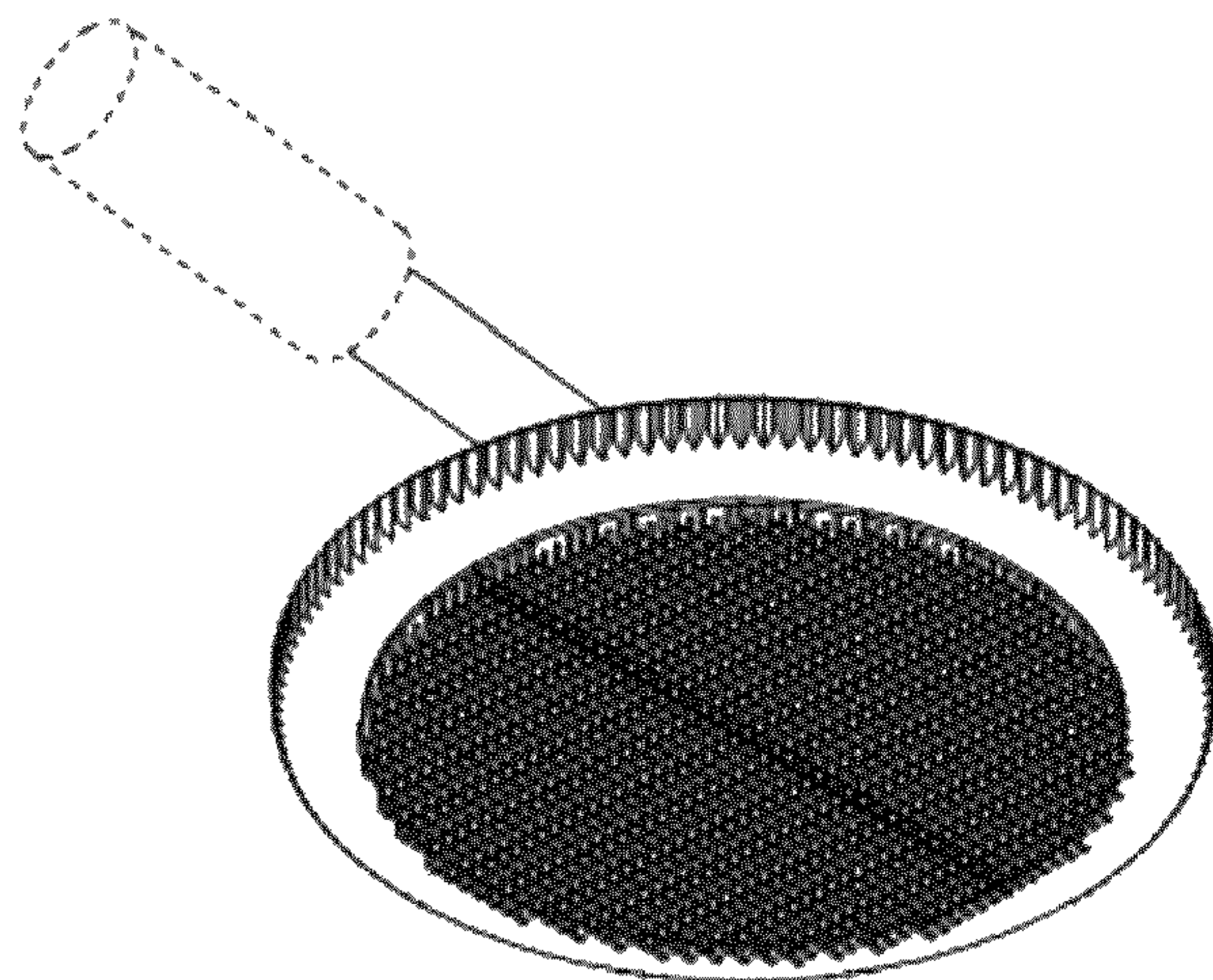
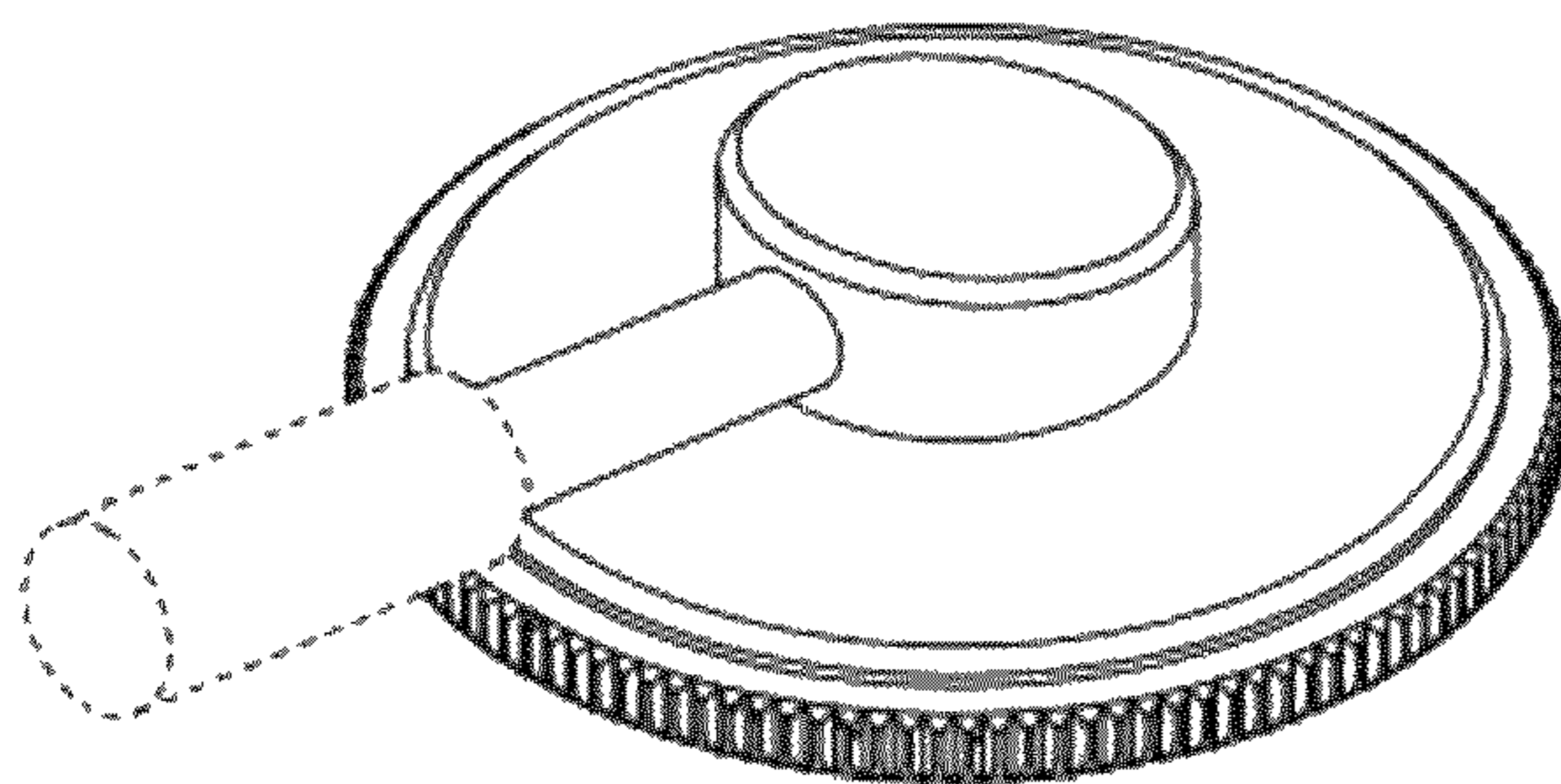
FIG. 5 is a top plan view of the pneumatic amplifier head.

FIG. 6 is a bottom plan view of the pneumatic amplifier head; and,

FIG. 7 is a bottom perspective view of the pneumatic amplifier head.

The broken lines in the figures depict connection tubing and are illustrative of environment and not intended to form a part of the claimed design.

1 Claim, 2 Drawing Sheets



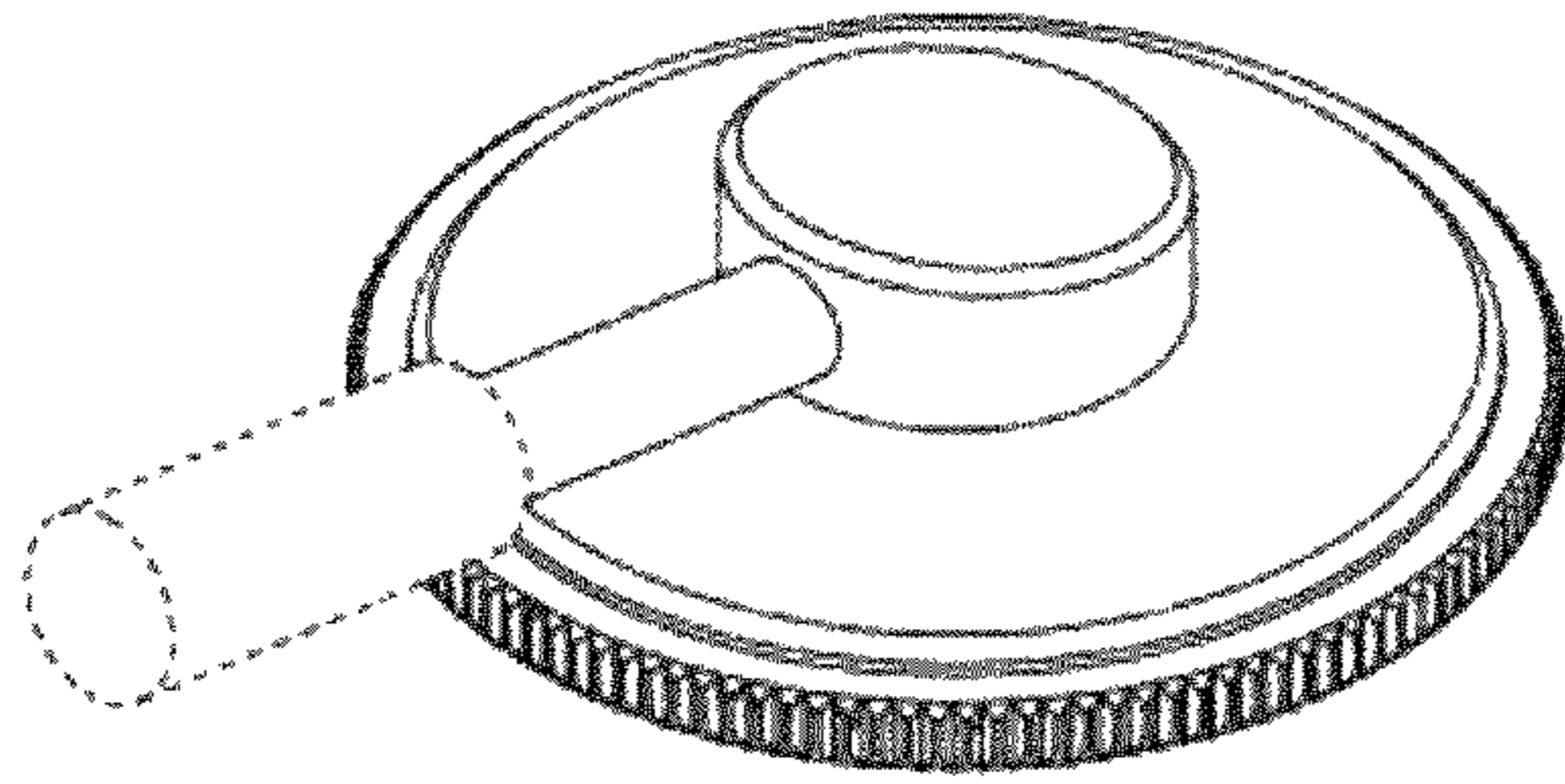


FIG. 1

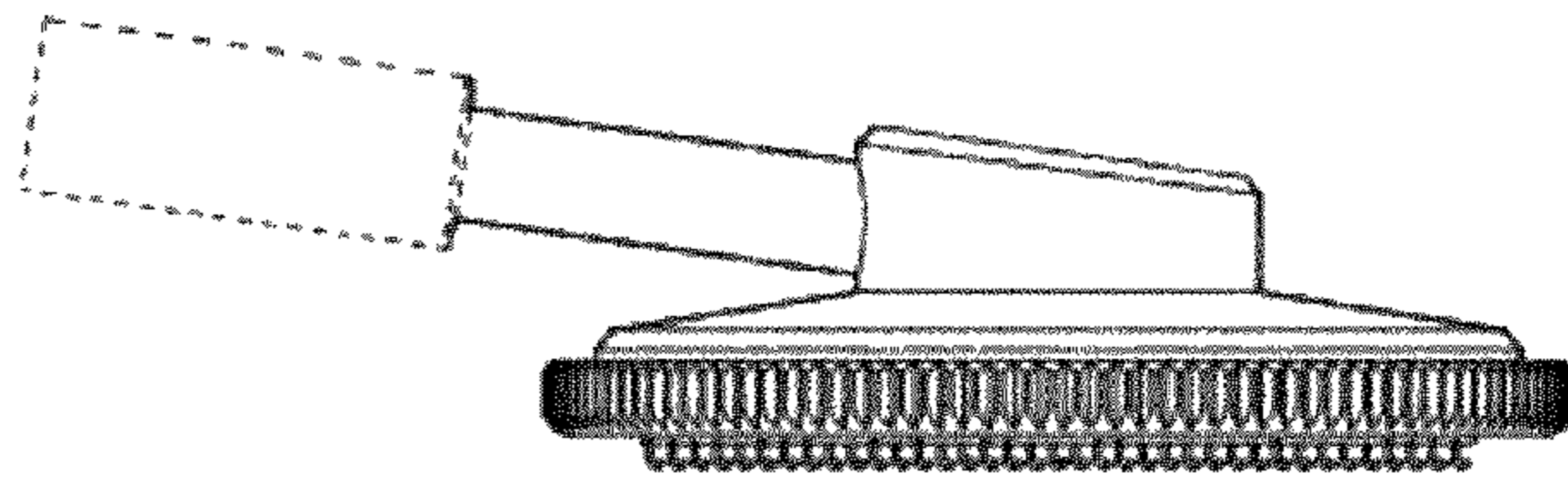


FIG. 2

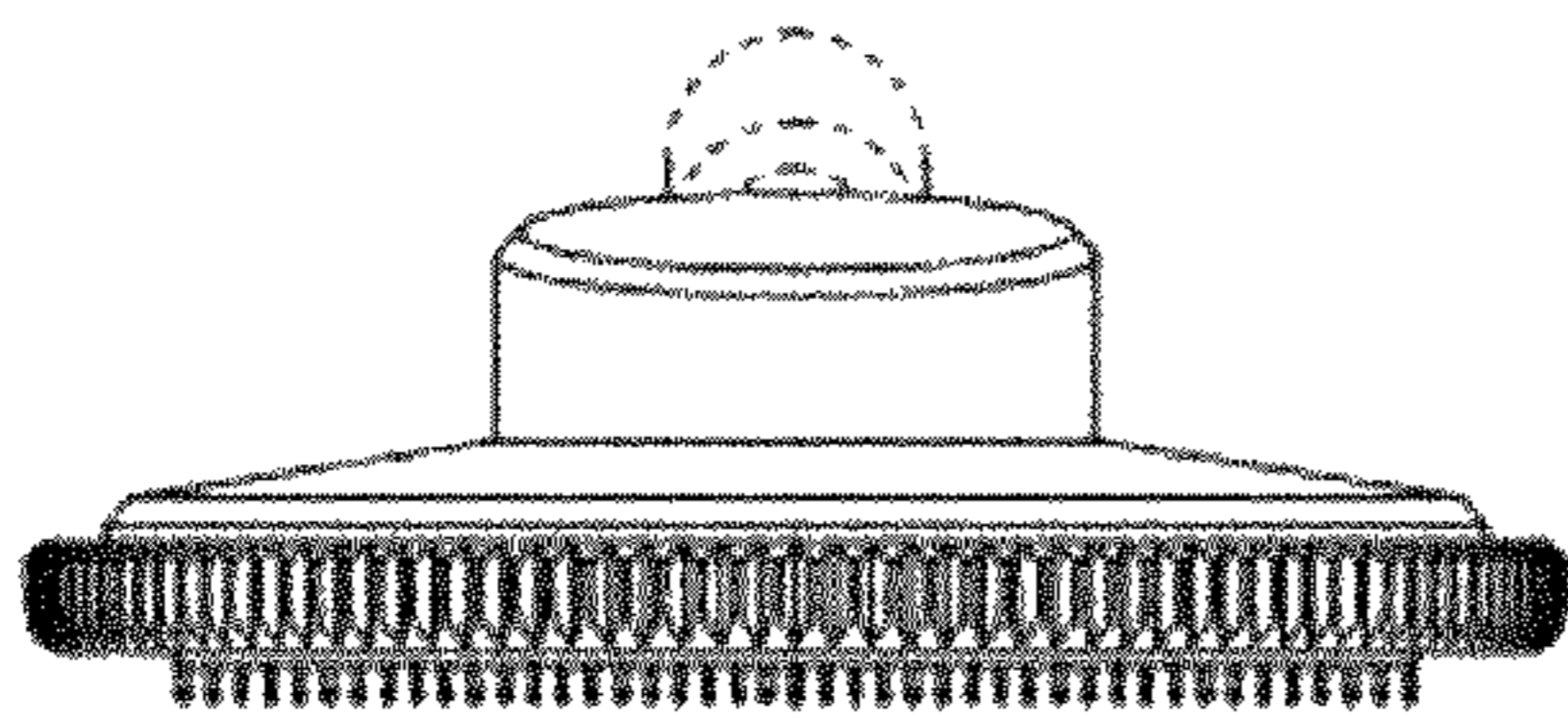


FIG. 3

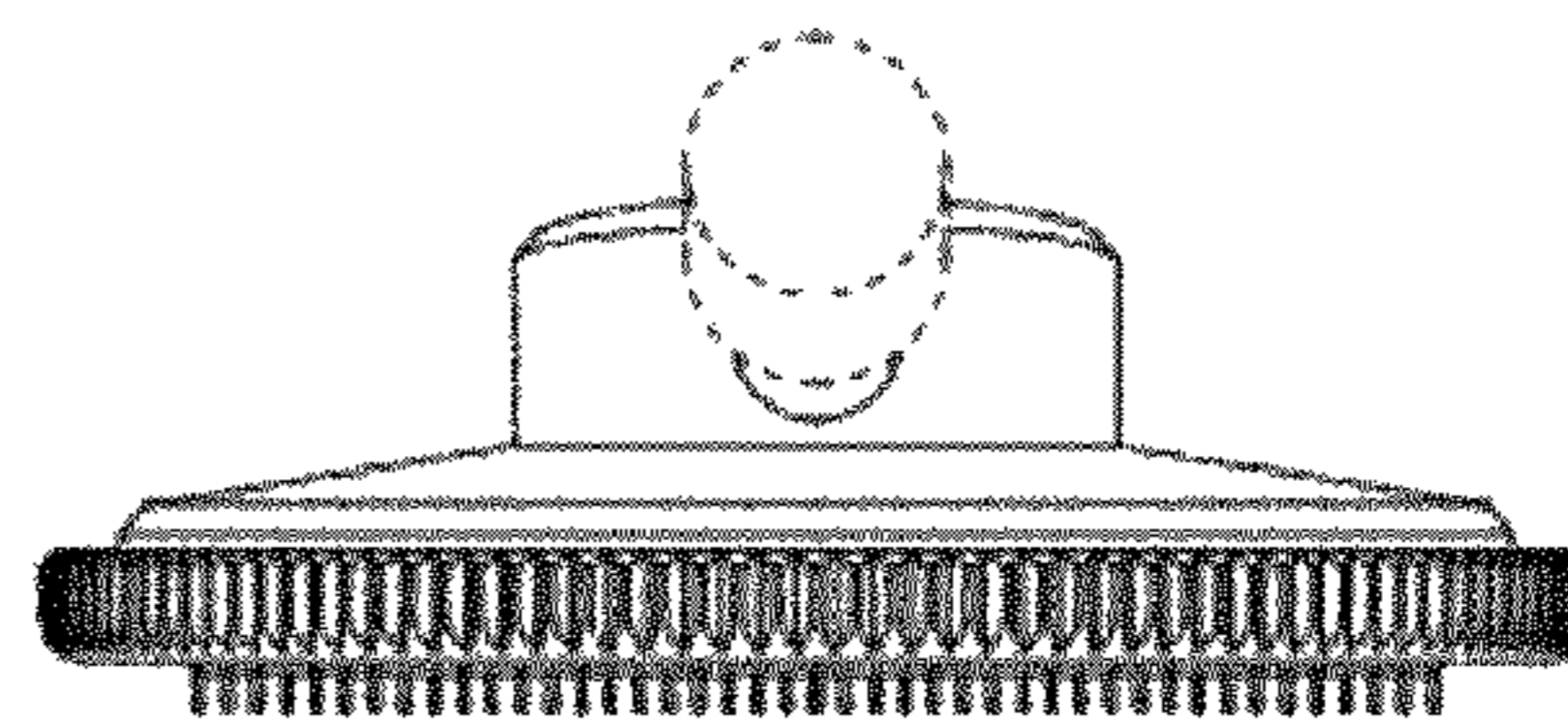


FIG. 4

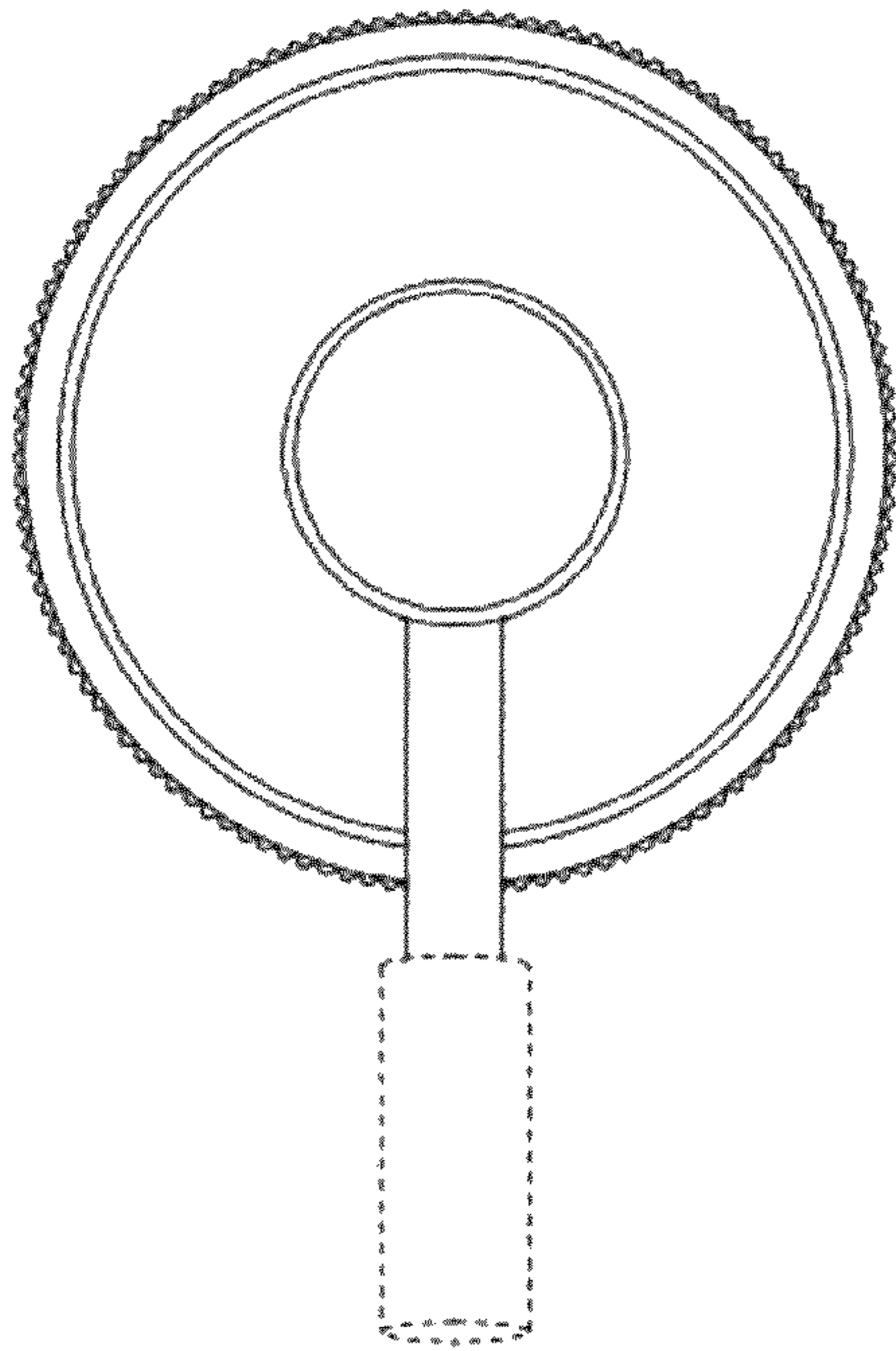


FIG. 5

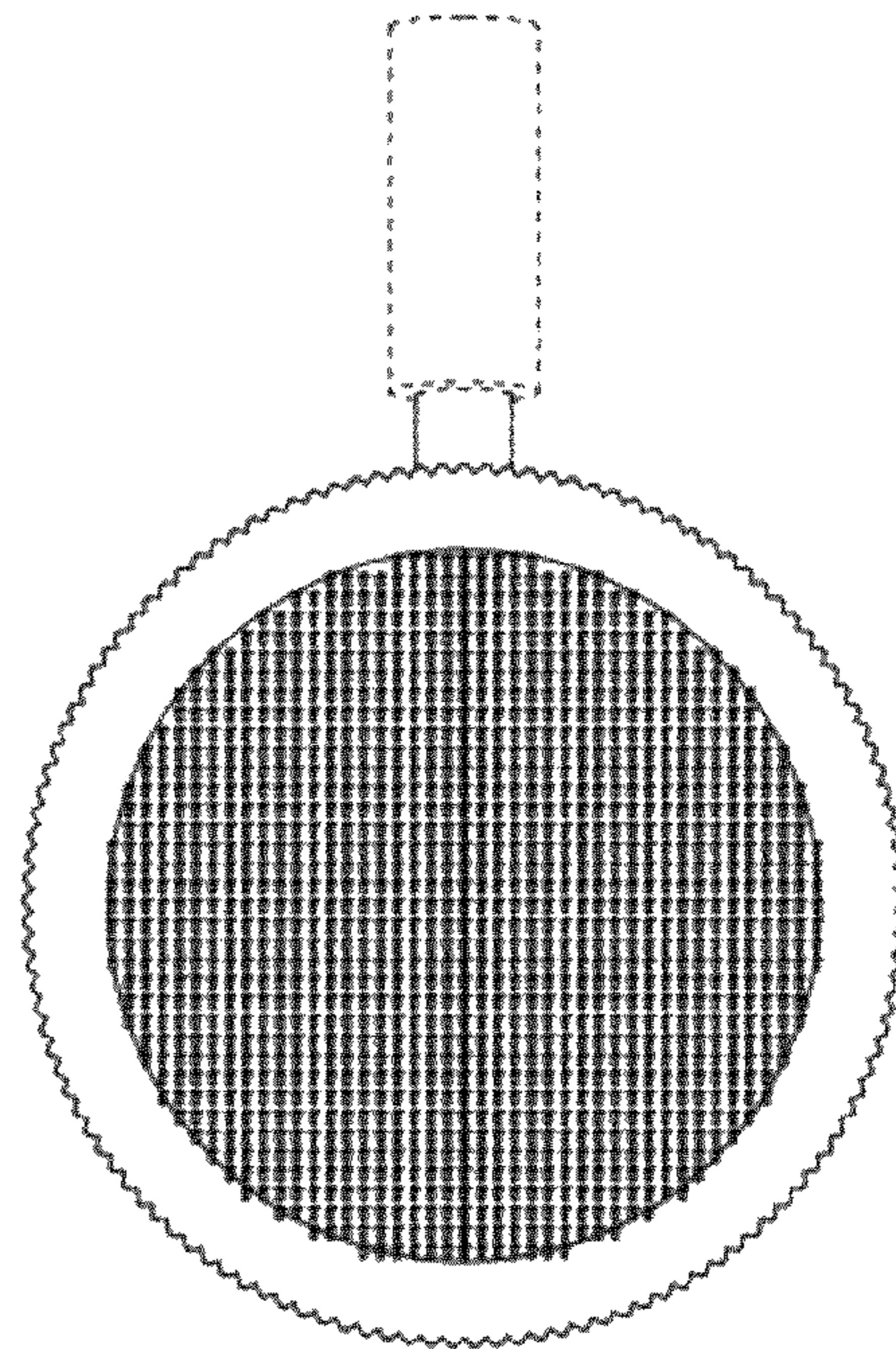


FIG. 6

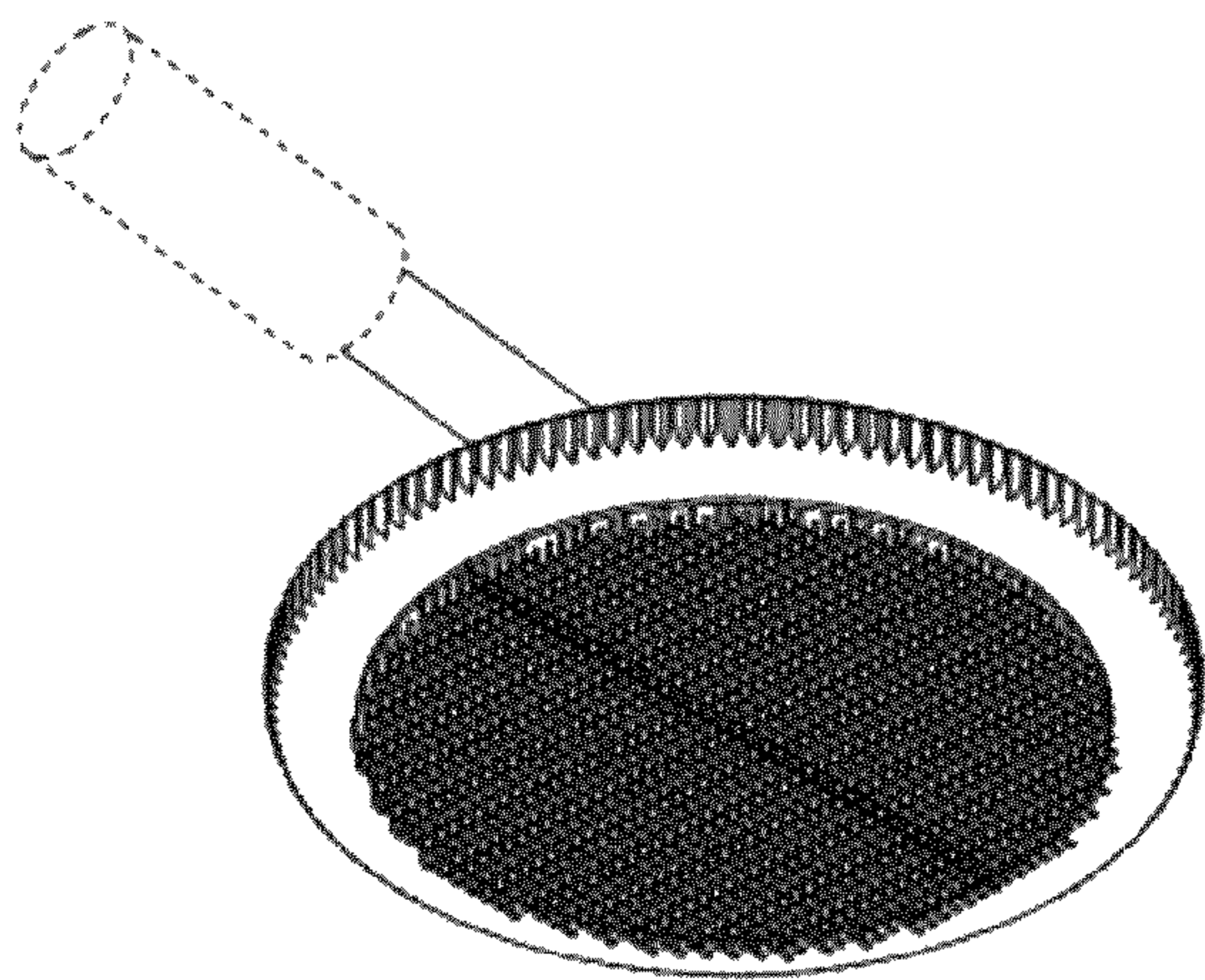


FIG. 7