



US00D676960S

(12) **United States Design Patent**  
**Flyash et al.**

(10) **Patent No.:** **US D676,960 S**

(45) **Date of Patent:** **\*\* \*Feb. 26, 2013**

(54) **TIP FOR A SKIN TREATMENT APPARATUS**

(75) Inventors: **Lion Flyash**, Nazareth Illit (IL); **Tamir Glazer**, Hoshaya (IL)

(73) Assignee: **Syneron Medical Ltd**, Yoqneam Illit (IL)

(\*) Notice: This patent is subject to a terminal disclaimer.

(\*\*) Term: **14 Years**

(21) Appl. No.: **29/404,301**

(22) Filed: **Oct. 19, 2011**

(51) **LOC (9) Cl.** ..... **24-02**

(52) **U.S. Cl.** ..... **D24/133**

(58) **Field of Classification Search** ..... D24/133,  
D24/140, 144; 600/306, 439, 459; 601/2;  
604/20, 22; 606/9, 131; 607/100, 101  
See application file for complete search history.

(56) **References Cited**

**U.S. PATENT DOCUMENTS**

D433,130	S	*	10/2000	Cude et al.	.....	D24/121
D562,451	S	*	2/2008	Braynin et al.	.....	D24/133
D585,994	S	*	2/2009	Mulhauser et al.	.....	D24/200
D595,407	S	*	6/2009	Braynin et al.	.....	D24/133
D604,843	S	*	11/2009	Braynin et al.	.....	D24/133
D608,888	S	*	1/2010	Braynin et al.	.....	D24/133
D612,939	S	*	3/2010	Boone et al.	.....	D24/133
D616,094	S	*	5/2010	Boone et al.	.....	D24/133

D621,950	S	*	8/2010	Seki et al.	.....	D24/209
7,918,080	B2	*	4/2011	Zubiate et al.	.....	59/78.1
D650,075	S	*	12/2011	Anglay et al.	.....	D24/133
2009/0222023	A1	*	9/2009	Boone et al.	.....	606/131
2012/0022435	A1	*	1/2012	Ignon et al.	.....	604/22

\* cited by examiner

*Primary Examiner* — Bridget L Eland

(74) *Attorney, Agent, or Firm* — Smith Risley Tempel Santos LLC; Gregory Scott Smith

(57) **CLAIM**

The ornamental design for a tip for a skin treatment apparatus, as shown and described.

**DESCRIPTION**

This application is related to the United States Design Patent Applications that are being filed concurrently herewith and identified by design application Ser. Nos. 29/404,299 and 29/404,300 and filed under customer number 35856.

FIG. 1 is a perspective view (oblique view of top side) of the new design of a tip for a skin treatment apparatus;

FIG. 2 is a perspective view (oblique view of bottom side) thereof;

FIG. 3 is a first side elevation view thereof;

FIG. 4 is a second side elevation view thereof;

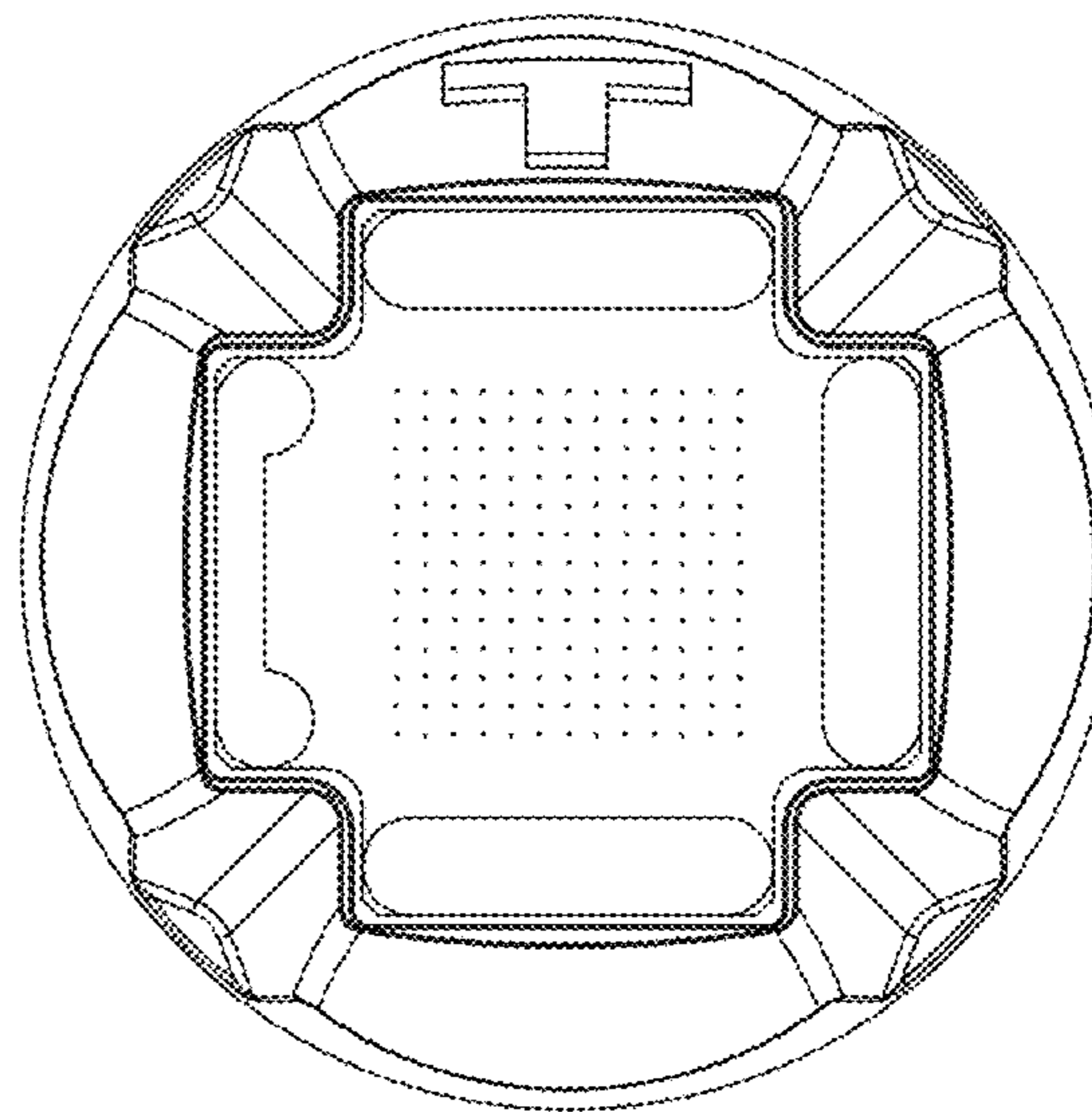
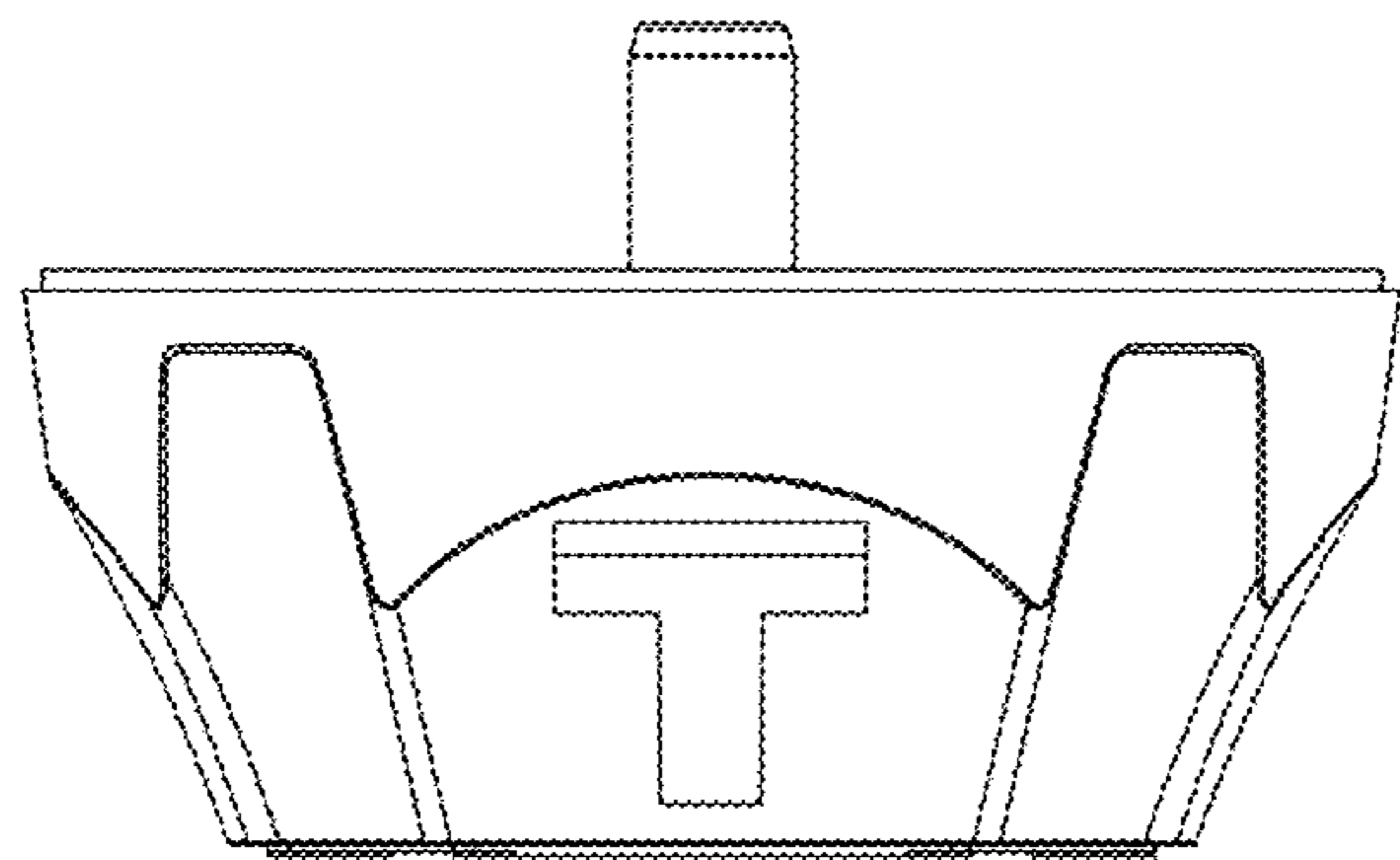
FIG. 5 is a third side elevation view thereof;

FIG. 6 is a fourth side elevation view thereof; and,

FIG. 7 is a top side plan view thereof.

The broken lines showing the remainder of the internal structure in the FIG. 2 view are directed to environment and are for illustrative purposes only; the broken lines form no part of the claimed design.

**1 Claim, 7 Drawing Sheets**



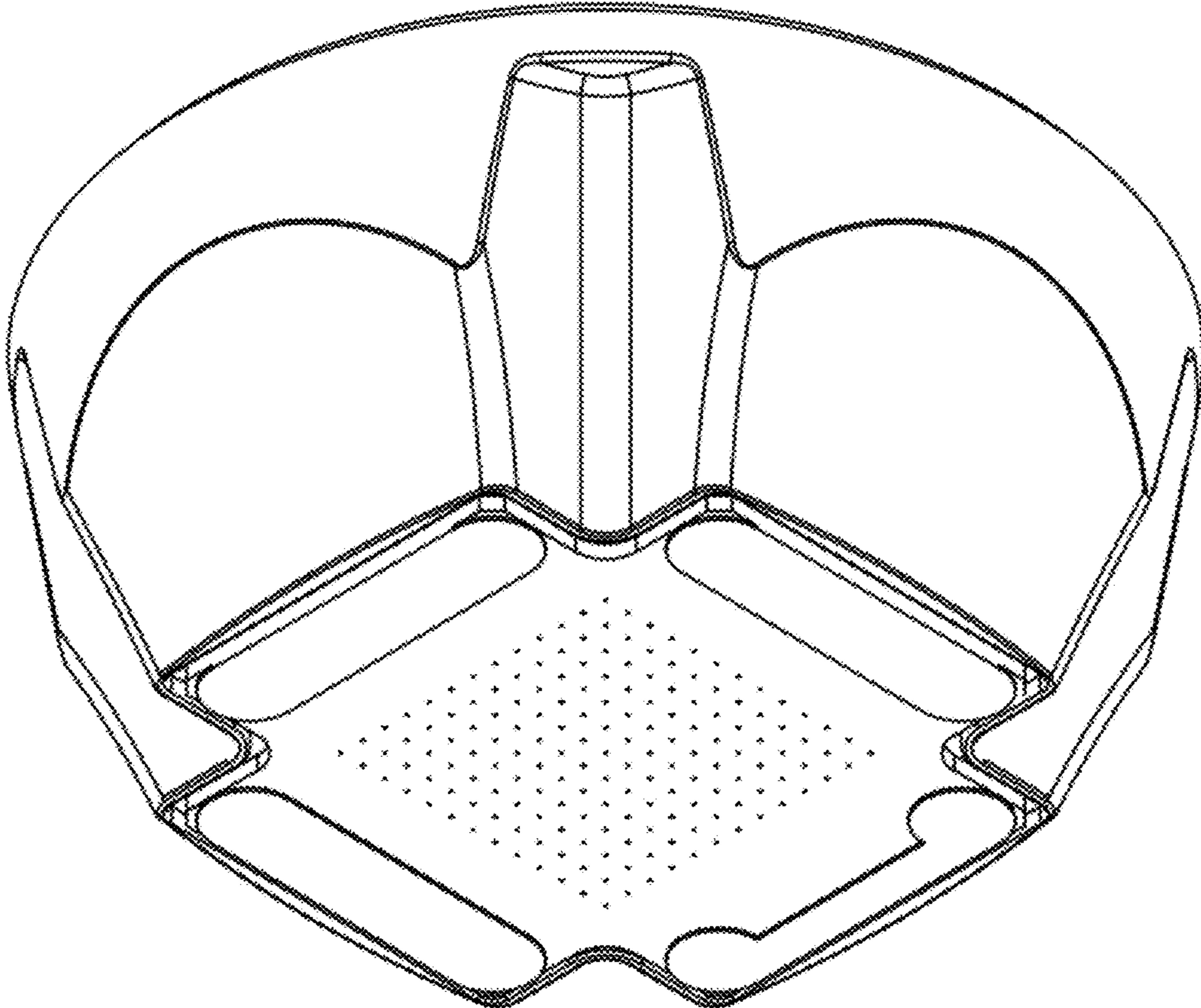


FIG. 1

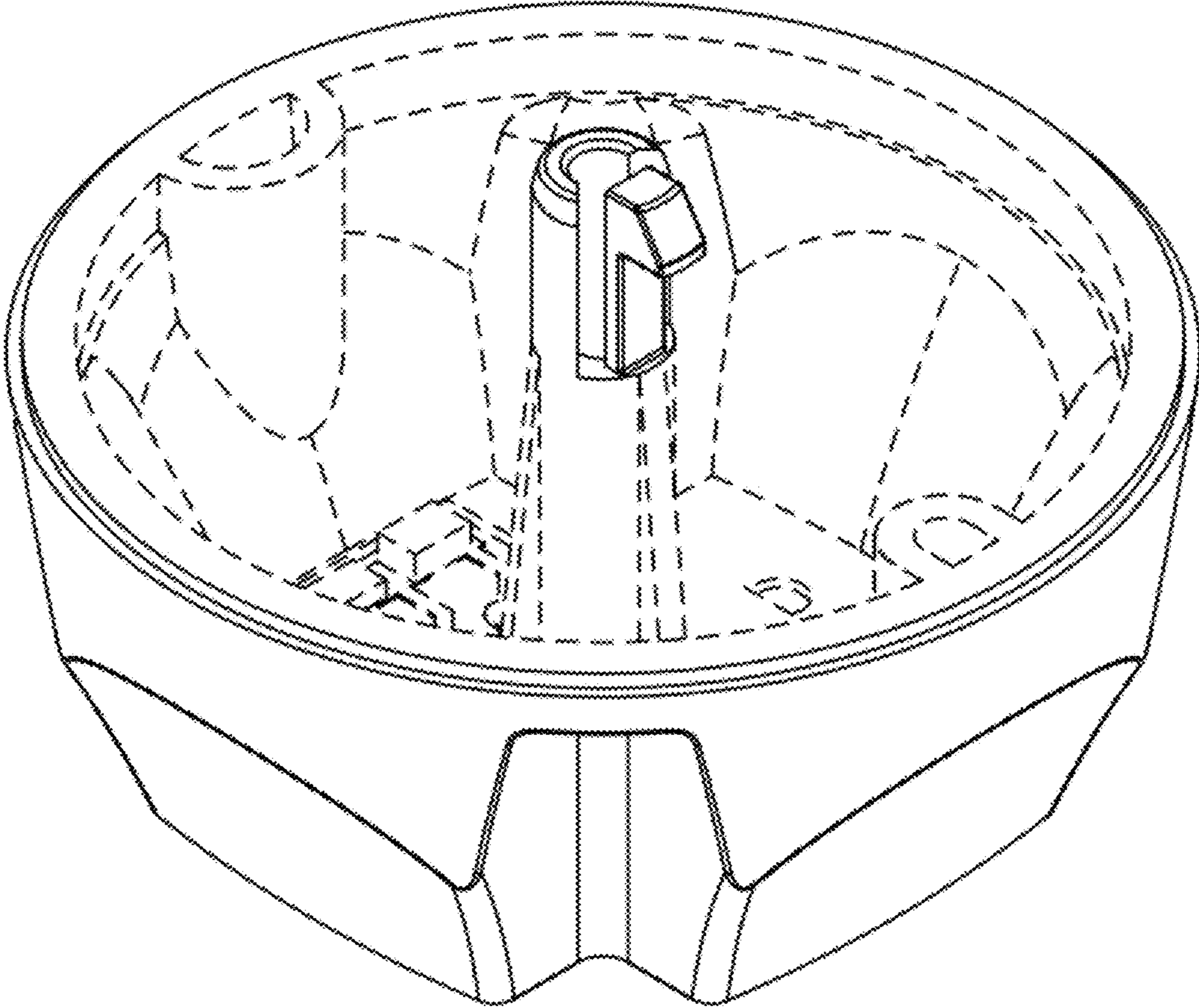


FIG. 2

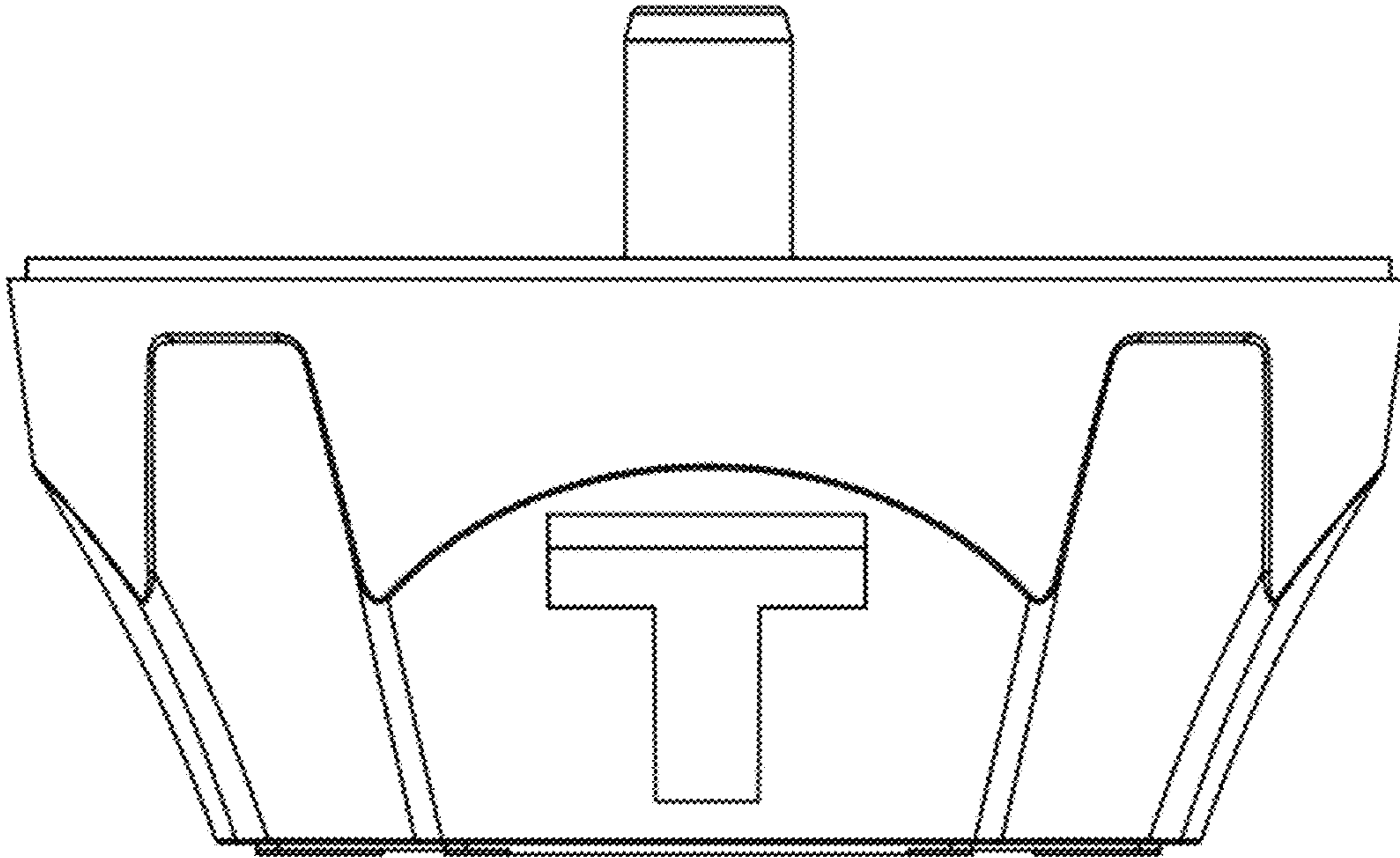


FIG. 3

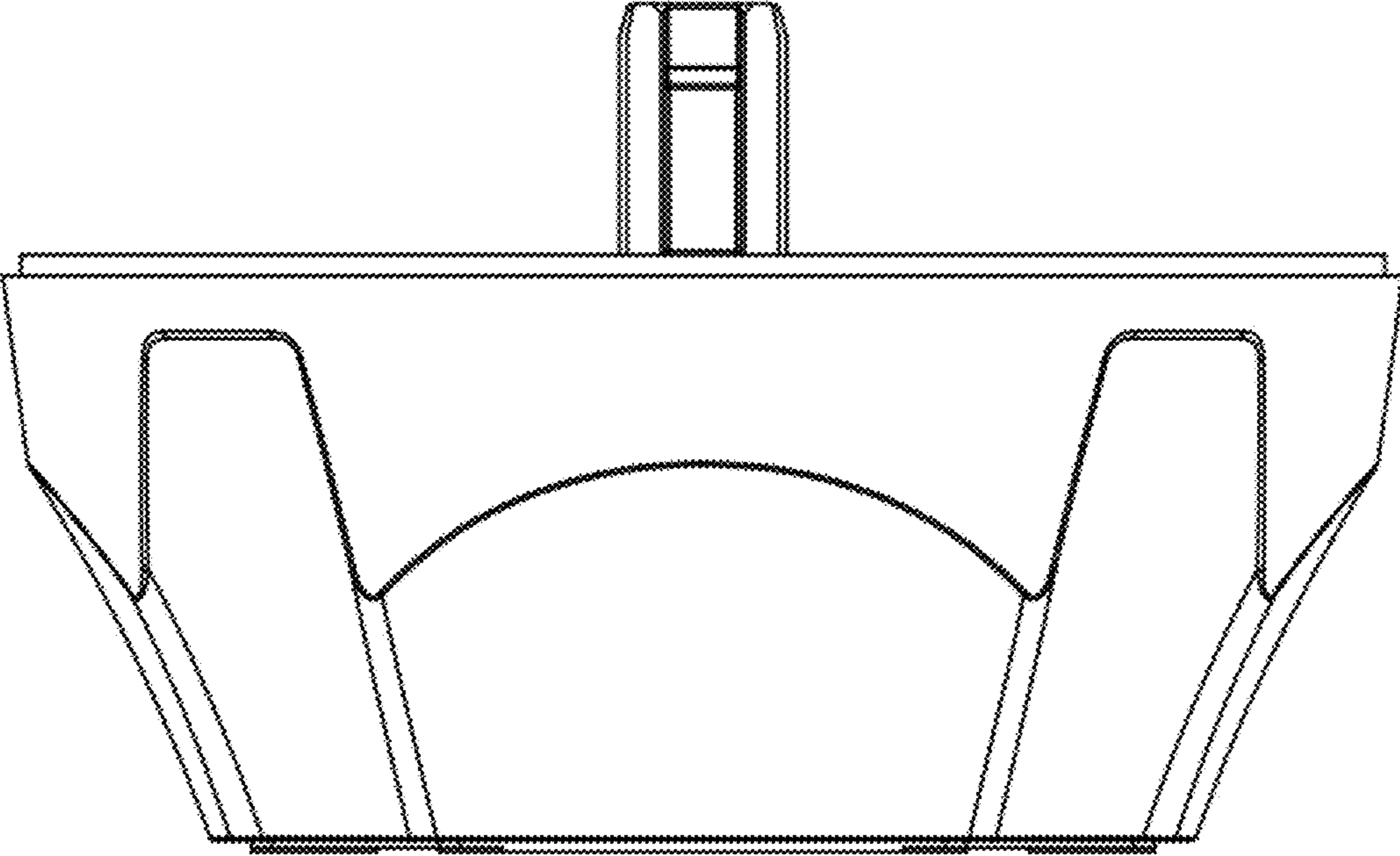


FIG. 4

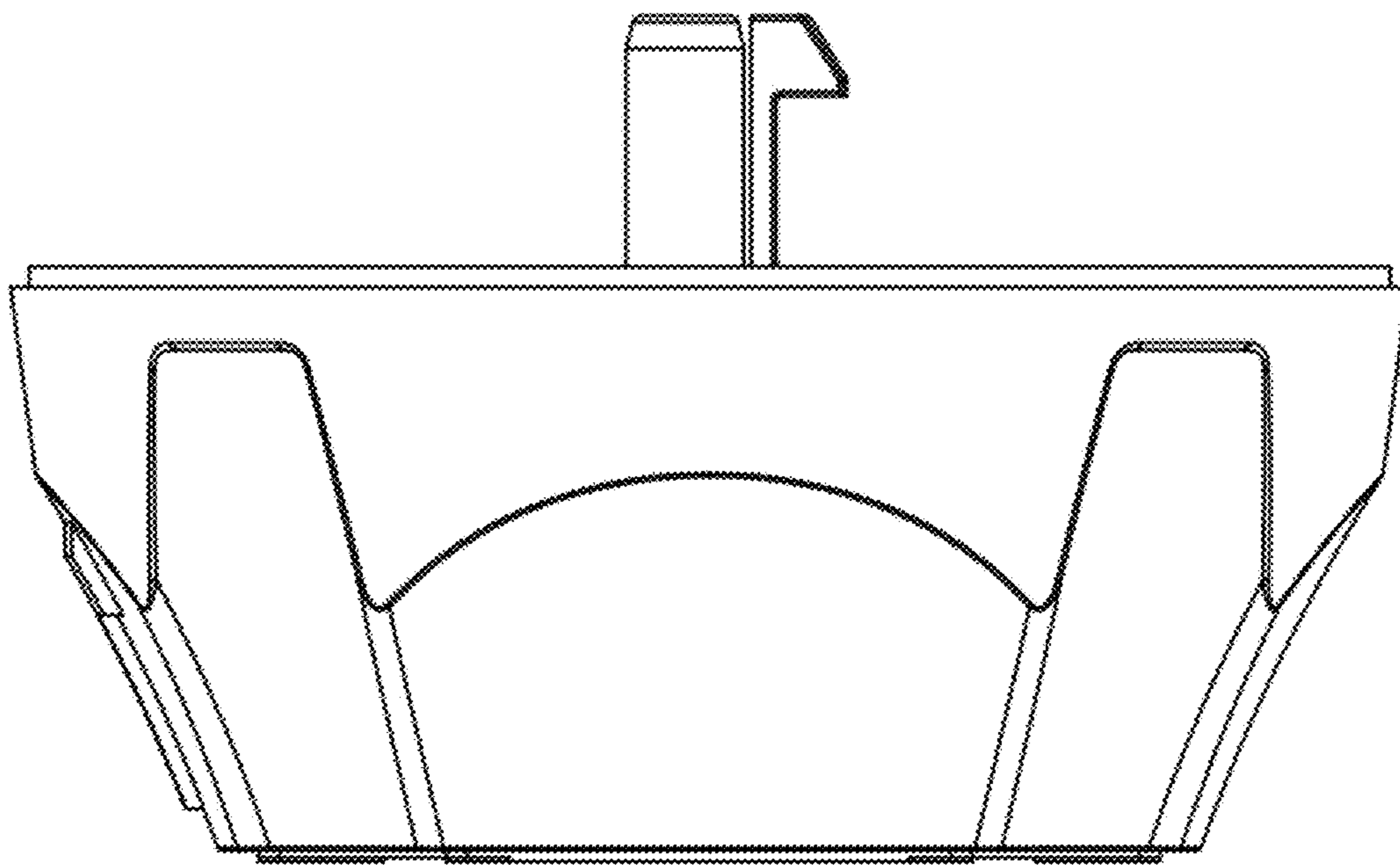


FIG. 5

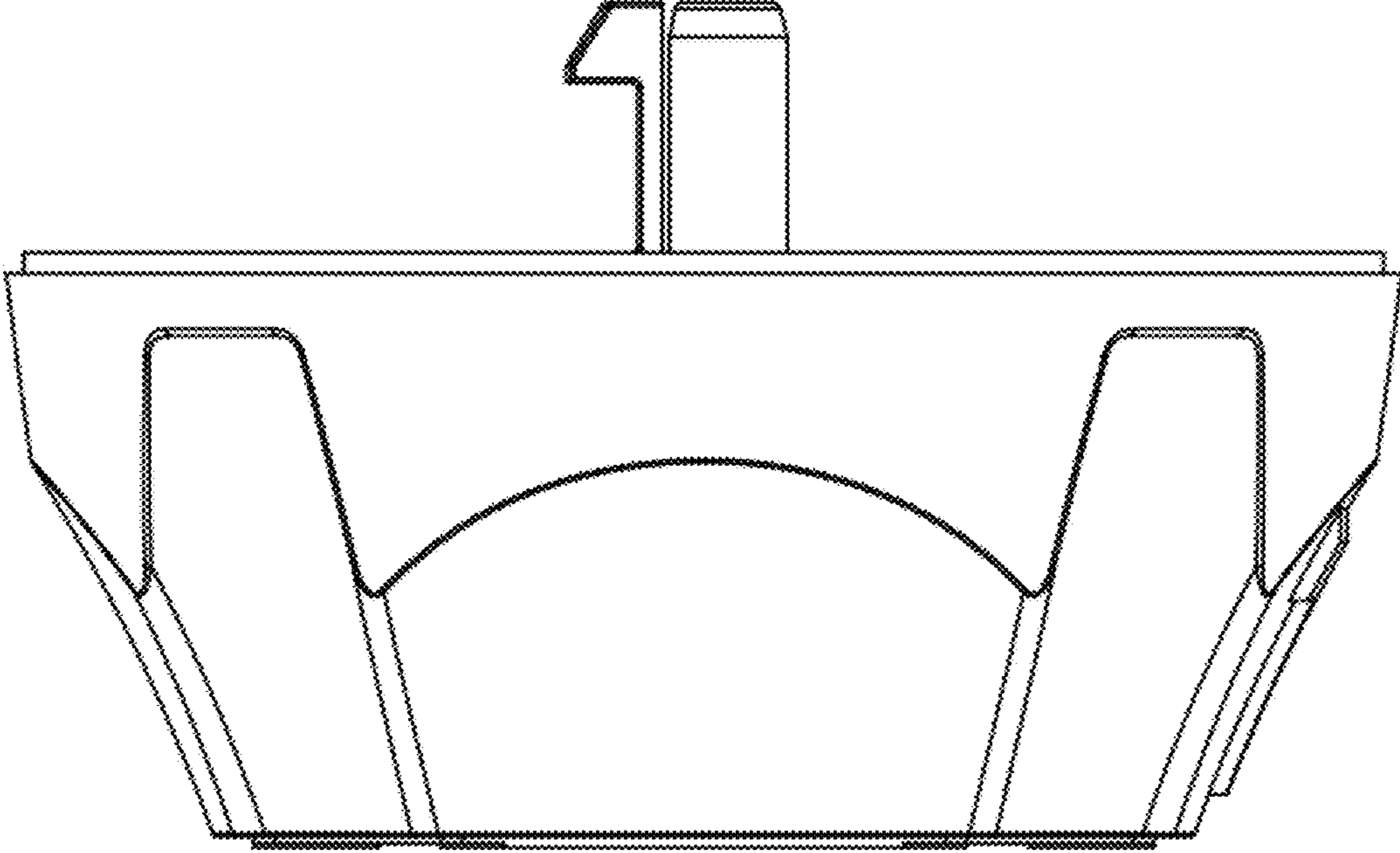


FIG. 6

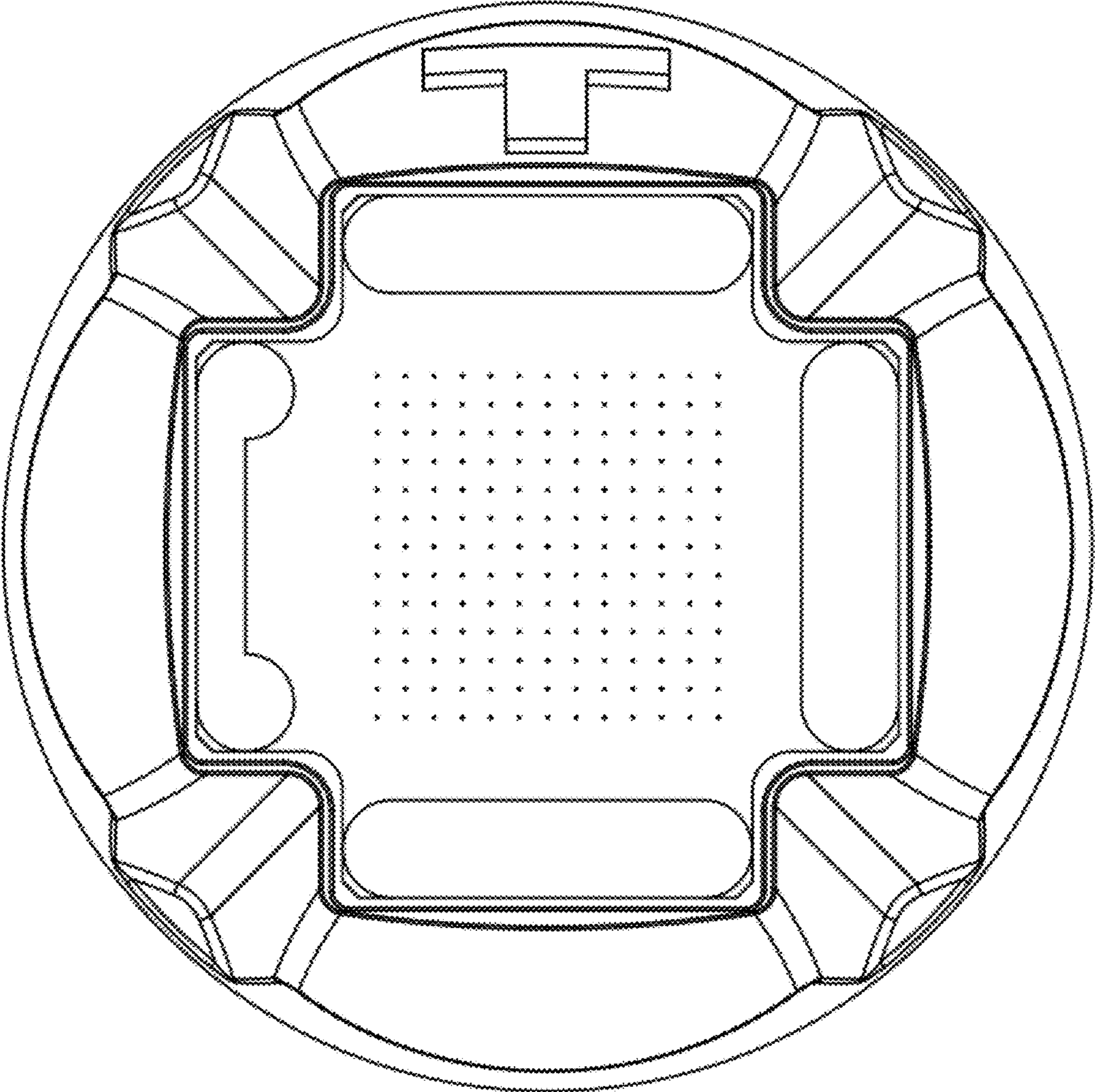


FIG. 7