



US00D676958S

(12) **United States Design Patent**
Doll et al.

(10) **Patent No.:** **US D676,958 S**
(45) **Date of Patent:** **** Feb. 26, 2013**

(54) **MEDICAL TUBE RETENTION DEVICE**

(76) Inventors: **Gregory E. Doll**, Bethesda, MD (US);
Michael Schuster, West Chester, PA
(US)

(**) Term: **14 Years**

(21) Appl. No.: **29/418,967**

(22) Filed: **Apr. 24, 2012**

(51) **LOC (9) Cl.** **24-02**

(52) **U.S. Cl.** **D24/128**

(58) **Field of Classification Search** D24/112-114,
D24/127-131, 133, 186; 606/181, 185; 604/232,
604/187, 158, 164.08, 192, 263, 163, 181,
604/184, 198, 227; 600/101, 139, 143; 128/200.24,
128/207.14, 207.15, 207.17, 912
See application file for complete search history.

(56) **References Cited**

U.S. PATENT DOCUMENTS

4,449,527	A *	5/1984	Hinton	128/207.17
5,237,988	A *	8/1993	McNeese	128/207.17
5,357,952	A	10/1994	Schuster		
5,411,484	A *	5/1995	Shattuck	128/207.17
5,649,534	A *	7/1997	Briggs, III	128/207.14
5,671,732	A *	9/1997	Bowen	128/207.17
5,797,394	A *	8/1998	Boyd	128/207.17

6,047,699	A	4/2000	Ryatt		
6,805,117	B1 *	10/2004	Ho et al.	128/207.17
7,472,706	B2 *	1/2009	Weiss	128/207.17
7,562,658	B2 *	7/2009	Madaus et al.	128/207.17
7,766,008	B2 *	8/2010	Manishen	128/207.14
7,779,832	B1 *	8/2010	Ho	128/207.17
8,096,300	B2 *	1/2012	Russo	128/207.17
8,171,933	B2 *	5/2012	Xue et al.	128/207.17

* cited by examiner

Primary Examiner — David Muller

(74) *Attorney, Agent, or Firm* — Jeffrey S. Melcher; Manelli Selter, PLLC

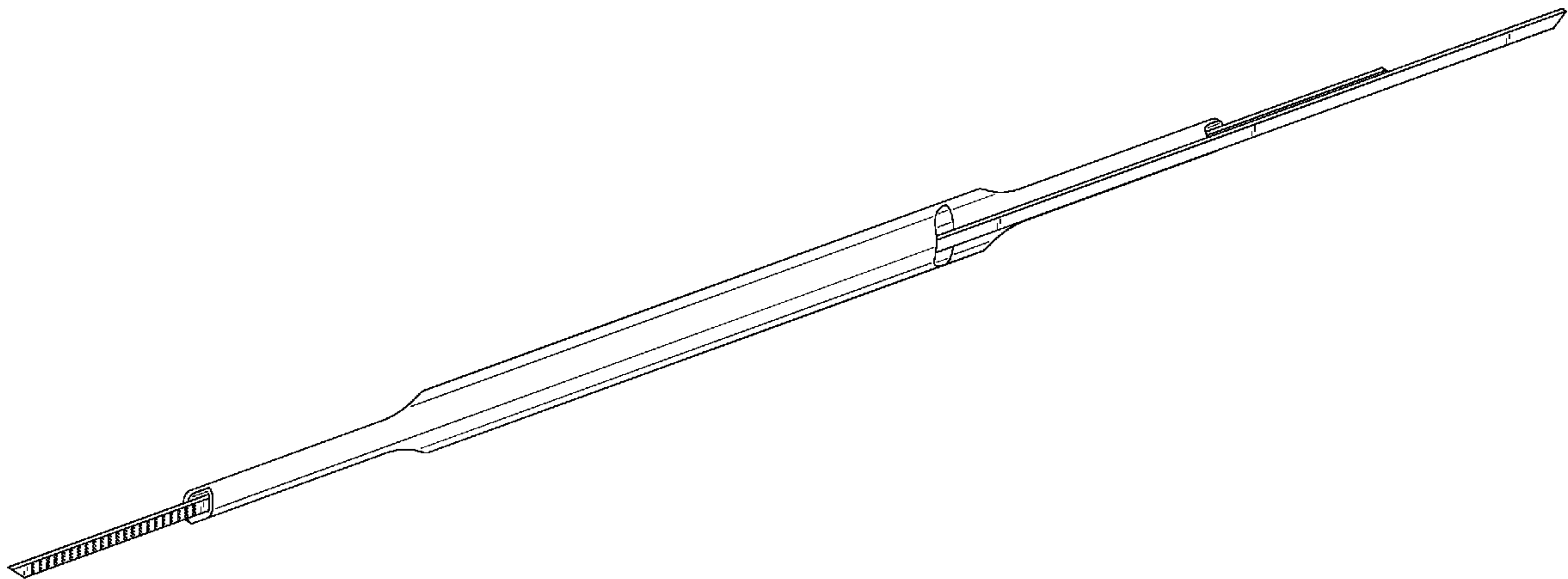
(57) **CLAIM**

We claim the ornamental design for a medical tube retention device, as shown and described.

DESCRIPTION

FIG. 1 is a perspective view of the medical tube retention device;
FIG. 2 is a front view of the medical tube retention device;
FIG. 3 is a back view of the medical tube retention device;
FIG. 4 is a left side view of the medical tube retention device;
FIG. 5 is a right side view of the medical tube retention device;
FIG. 6 is a top view of the medical tube retention device; and,
FIG. 7 is a bottom view of medical tube retention device.

1 Claim, 4 Drawing Sheets



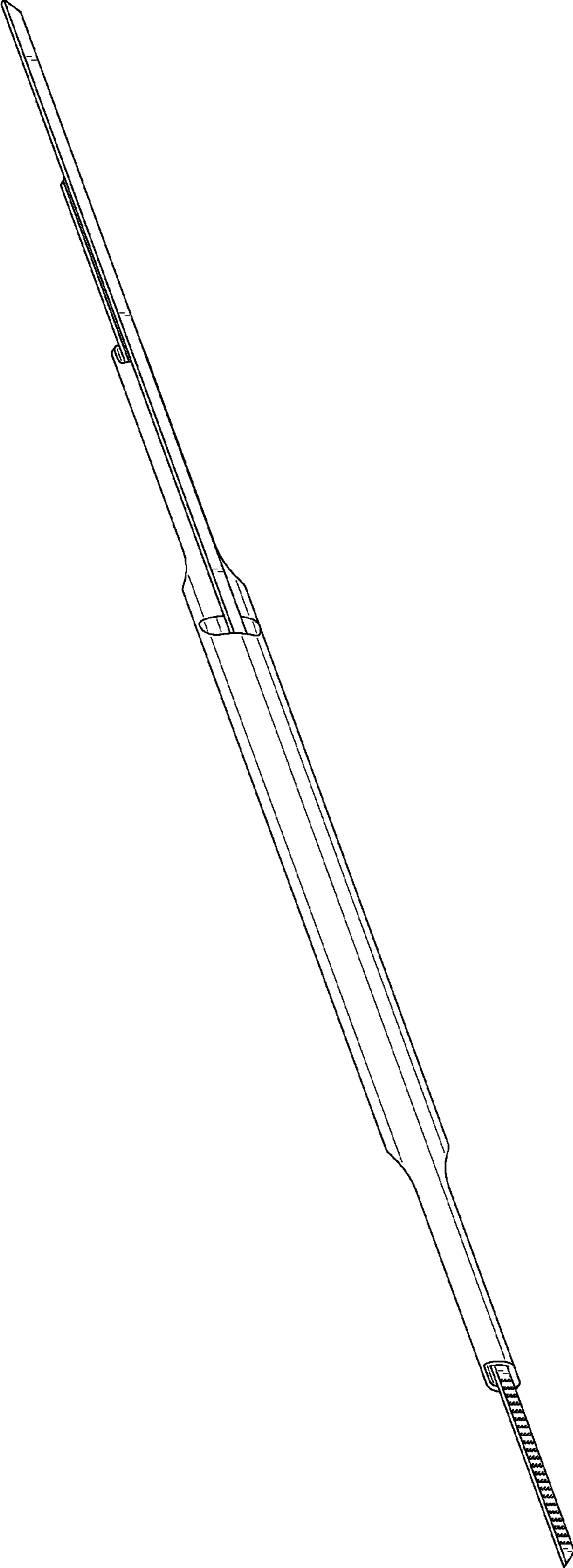


FIG. 1

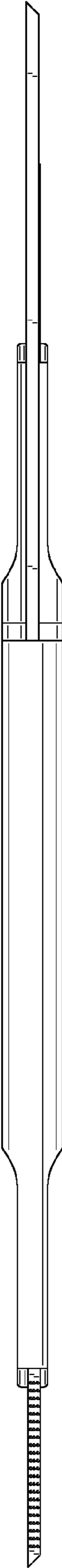


FIG. 2

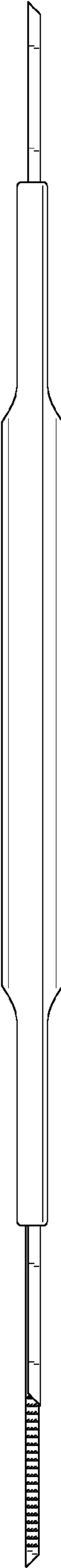


FIG. 3

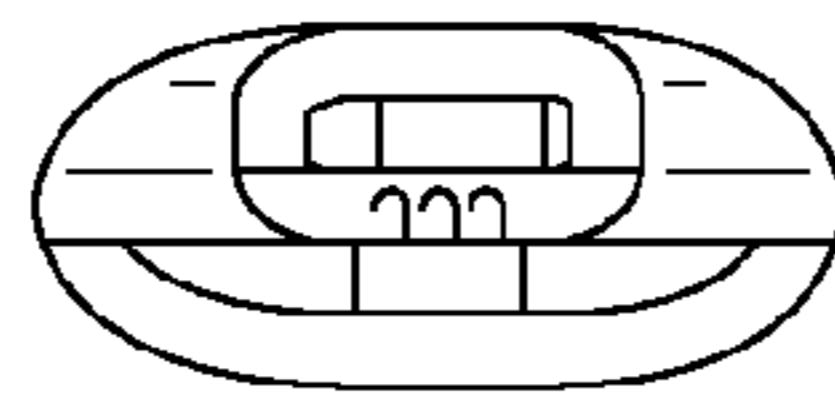


FIG. 5

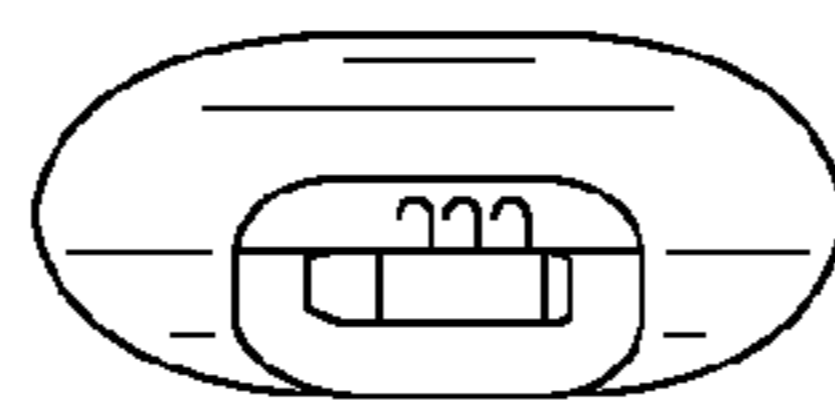


FIG. 4



FIG. 6

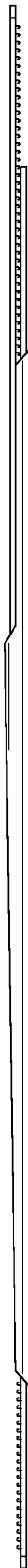


FIG. 7