



US00D676956S

(12) **United States Design Patent**  
**Kirchner**

(10) **Patent No.:** **US D676,956 S**

(45) **Date of Patent:** **\*\* Feb. 26, 2013**

(54) **BREAST PUMP**

(75) Inventor: **Hansjörg Kirchner**, Markgröningen (DE)

(73) Assignee: **KaWeCo GmbH**, Ditzingen (DE)

(\*\*) Term: **14 Years**

(21) Appl. No.: **29/395,122**

(22) Filed: **Nov. 29, 2011**

(30) **Foreign Application Priority Data**

May 31, 2011 (DE) ..... 001871146

(51) **LOC (9) Cl.** ..... **24-02**

(52) **U.S. Cl.** ..... **D24/109**

(58) **Field of Classification Search** ..... D24/108-109,  
D24/231; 604/73-76

See application file for complete search history.

(56) **References Cited**

**U.S. PATENT DOCUMENTS**

D251,015	S	*	2/1979	Cone	.....	D24/109
D309,500	S	*	7/1990	Yuan et al.	.....	D24/109
D345,209	S	*	3/1994	Shoda et al.	.....	D24/109
D372,777	S	*	8/1996	Kan	.....	D24/109
D420,443	S	*	2/2000	Morifuji	.....	D24/109
6,042,560	A	*	3/2000	Niederberger	.....	604/74
6,423,030	B1	*	7/2002	Silver	.....	604/74

D583,985	S	*	12/2008	Warden et al.	.....	D26/109
7,666,162	B2	*	2/2010	Renz et al.	.....	604/74
D636,072	S	*	4/2011	Silver	.....	D24/109
2003/0139702	A1	*	7/2003	Renz et al.	.....	604/74
2010/0217183	A1	*	8/2010	Silver	.....	604/74

\* cited by examiner

*Primary Examiner* — Wan Laymon

(74) *Attorney, Agent, or Firm* — Pauley Petersen & Erickson

(57) **CLAIM**

The ornamental design for a breast pump, as shown and described.

**DESCRIPTION**

FIG. 1 is a perspective view of the breast pump, according to the present invention;

FIG. 2 is a front view of the breast pump, as shown in FIG. 1;

FIG. 3 is a rear view of the breast pump, as shown in FIG. 1;

FIG. 4 is a side view of the breast pump, as shown in FIG. 1;

FIG. 5 is a side view, opposite the side view shown in FIG. 4,

of the breast pump, as shown in FIG. 1;

FIG. 6 is a top view of the breast pump, as shown in FIG. 1;

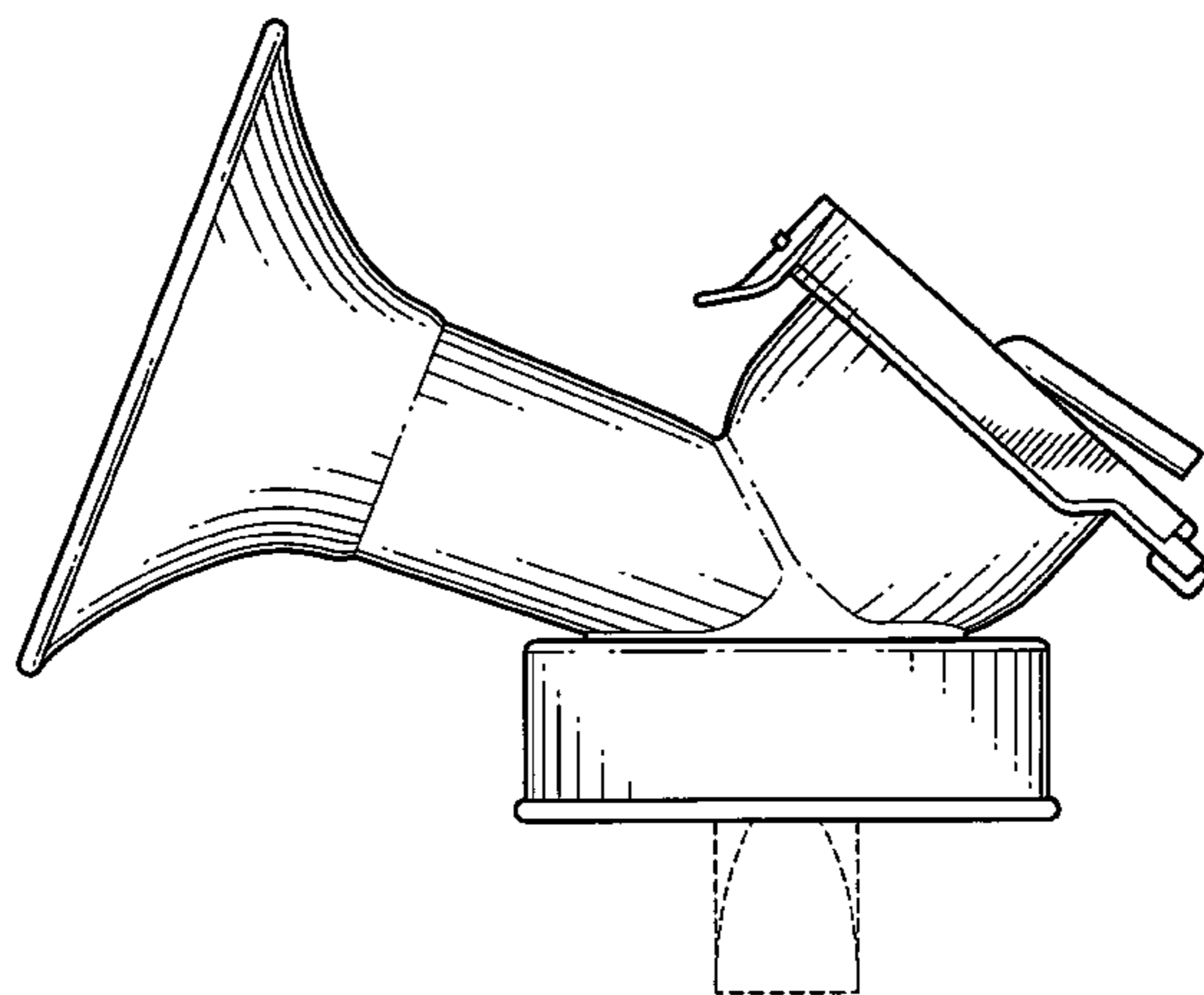
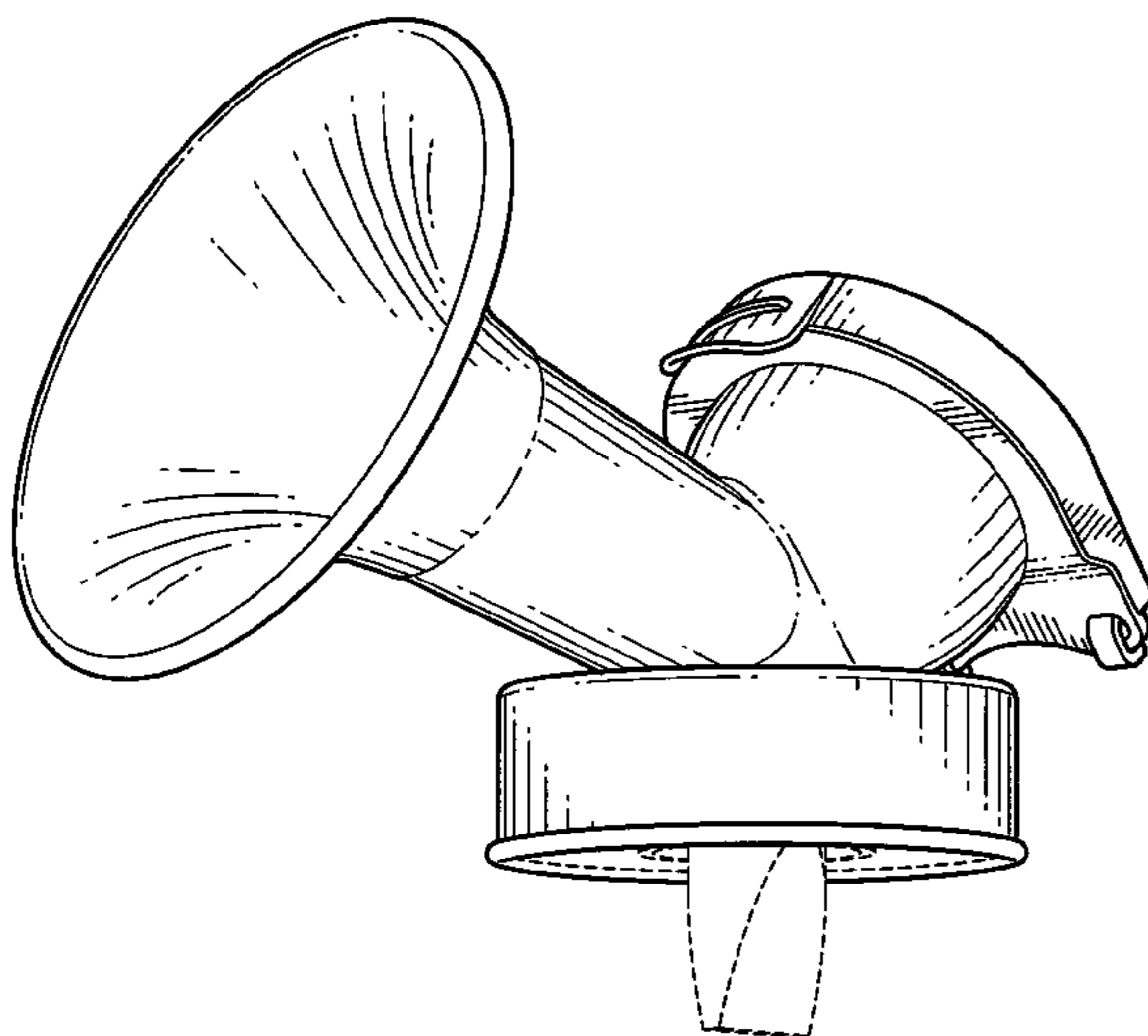
and,

FIG. 7 is a bottom view of the breast pump, as shown in FIG. 1.

The broken lines shown in the figures represent portions of

the breast pump that form no part of the claimed design.

**1 Claim, 7 Drawing Sheets**



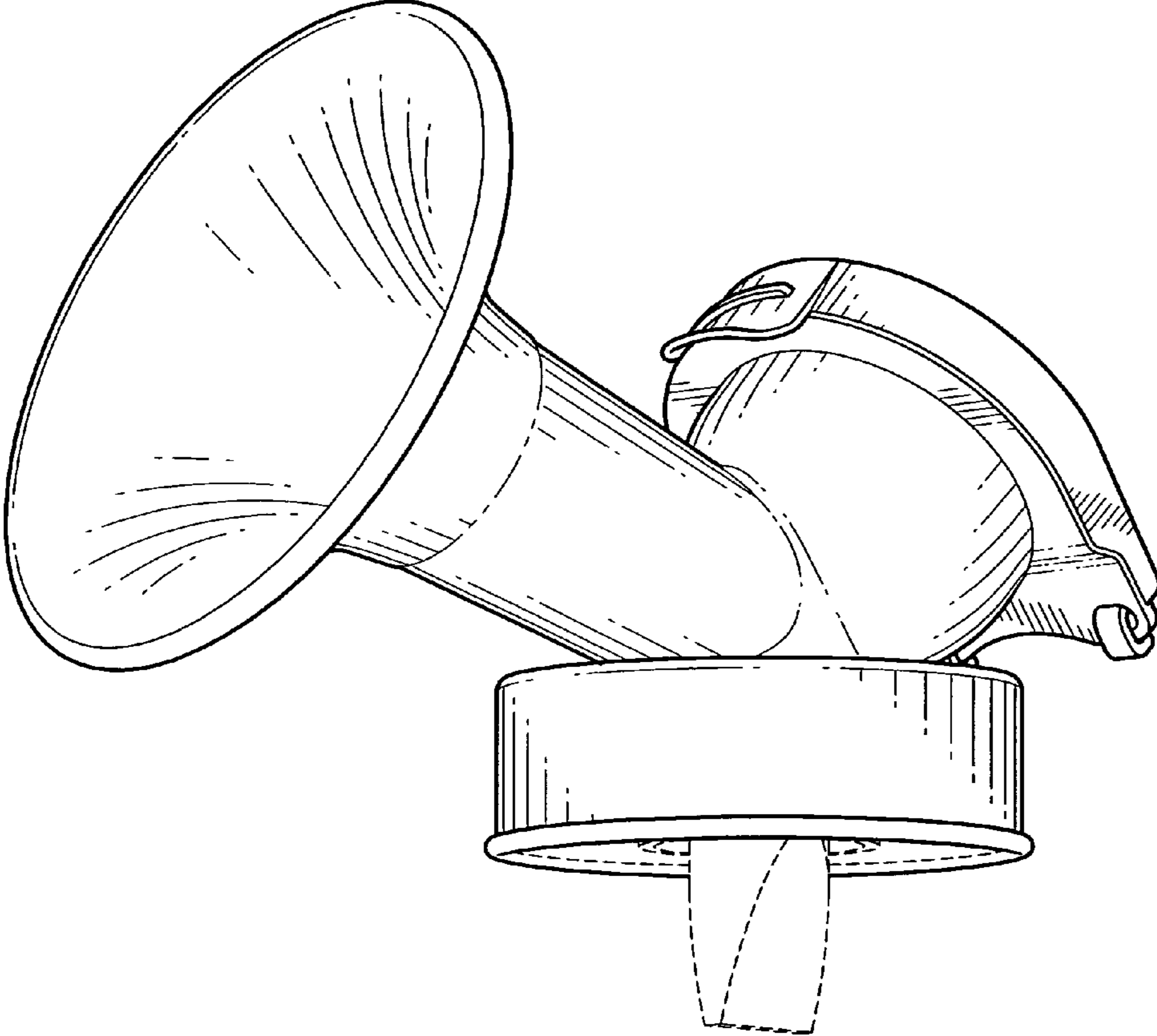


FIG. 1

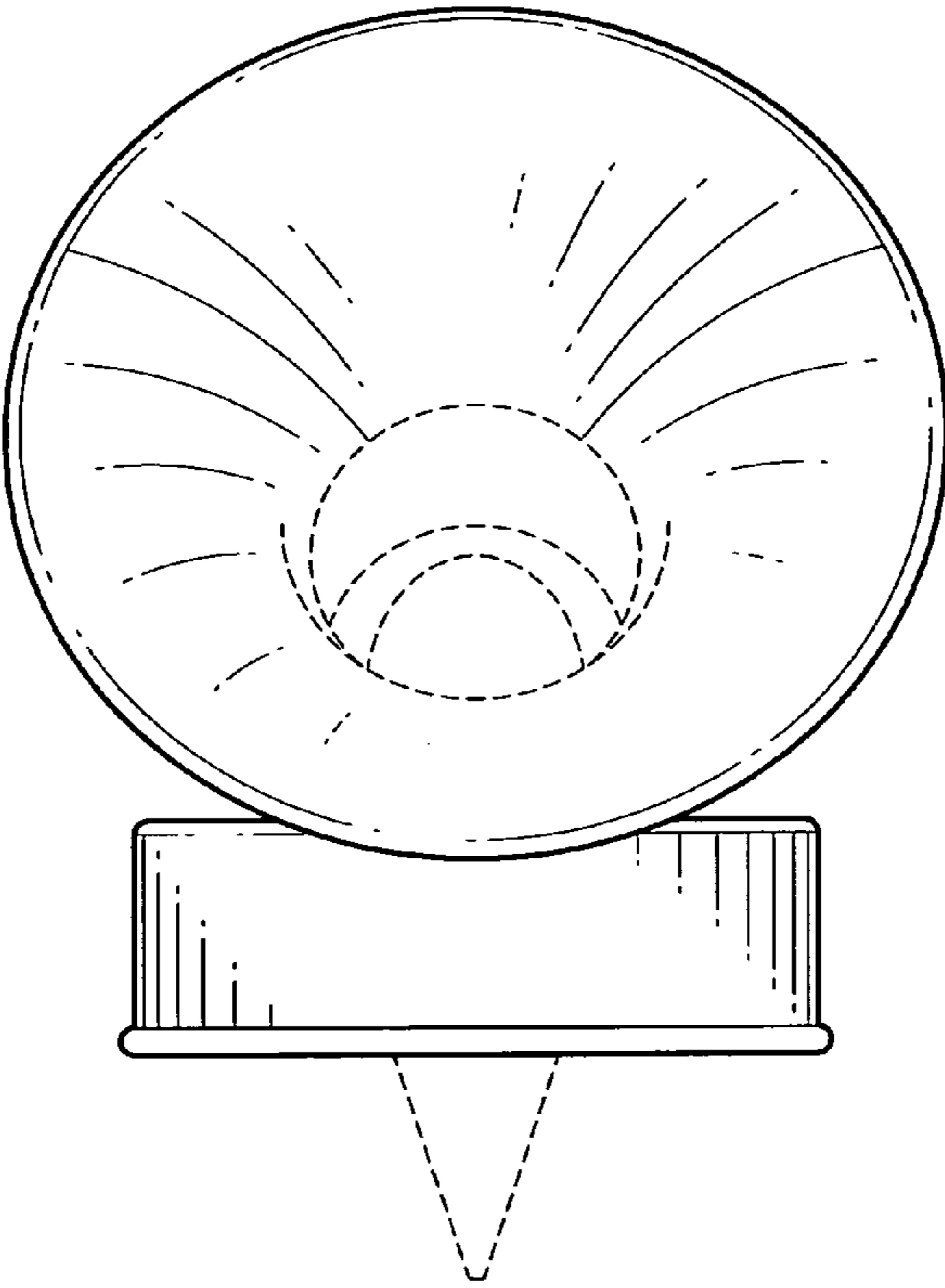


FIG.2

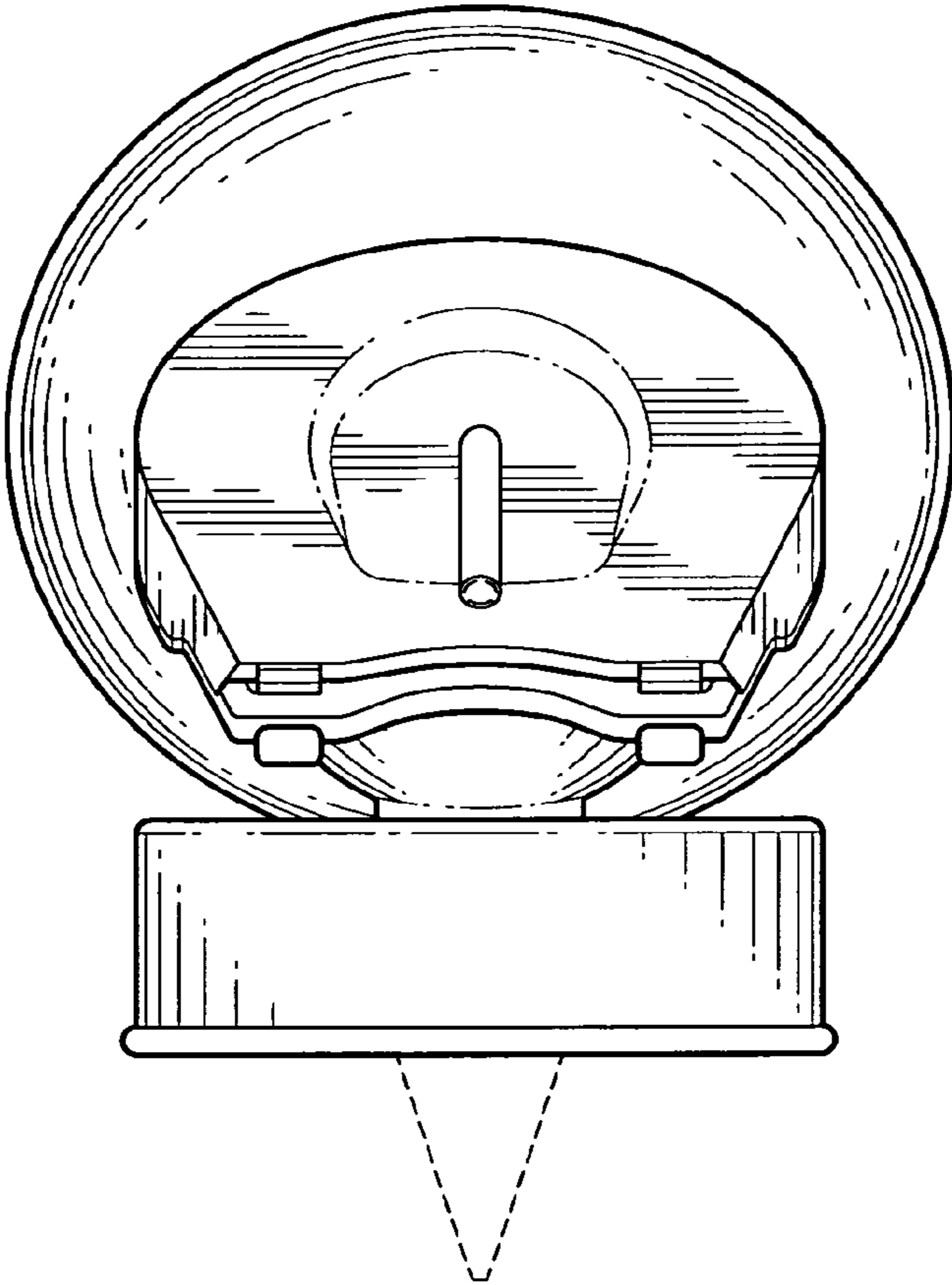


FIG. 3

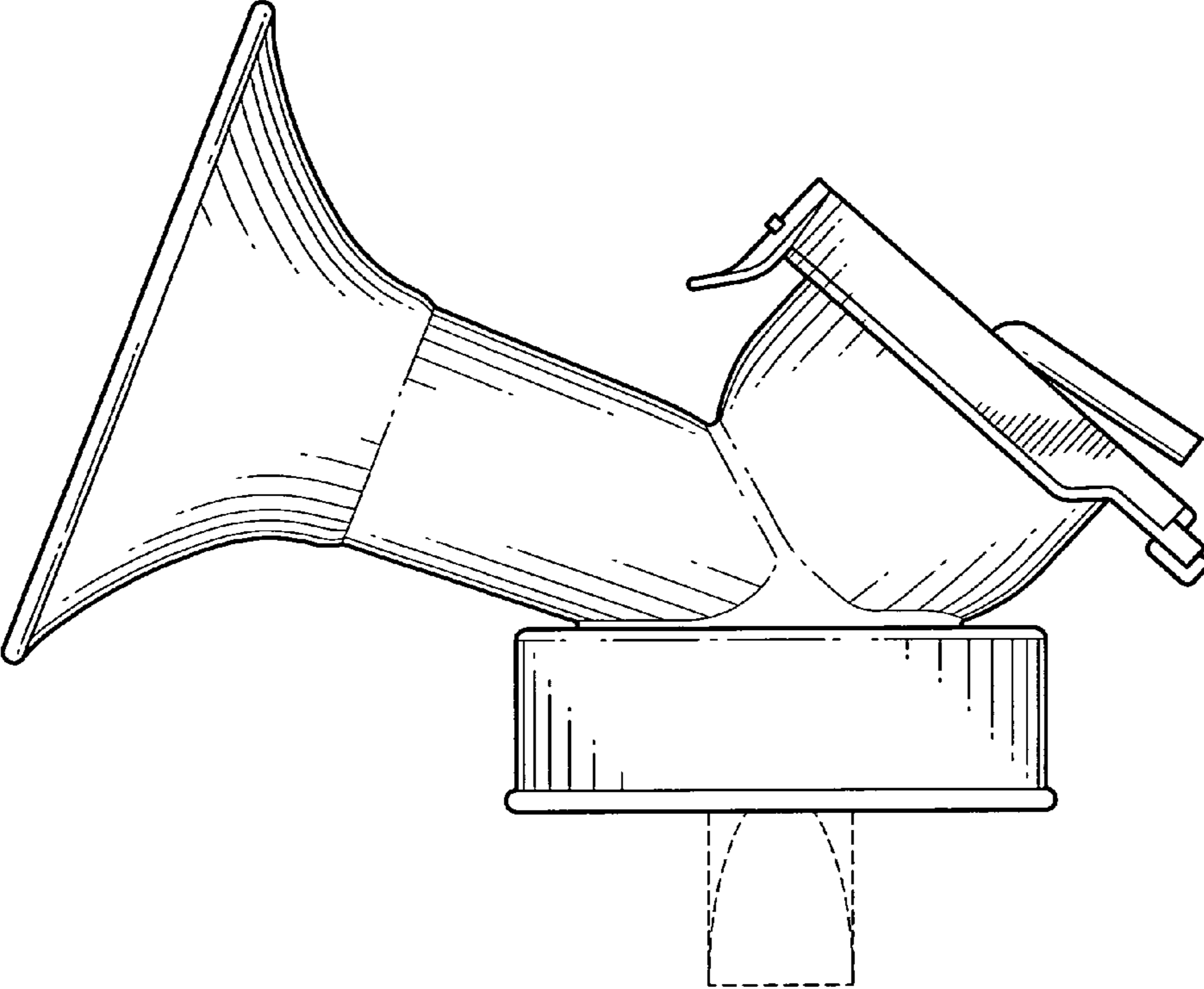


FIG.4

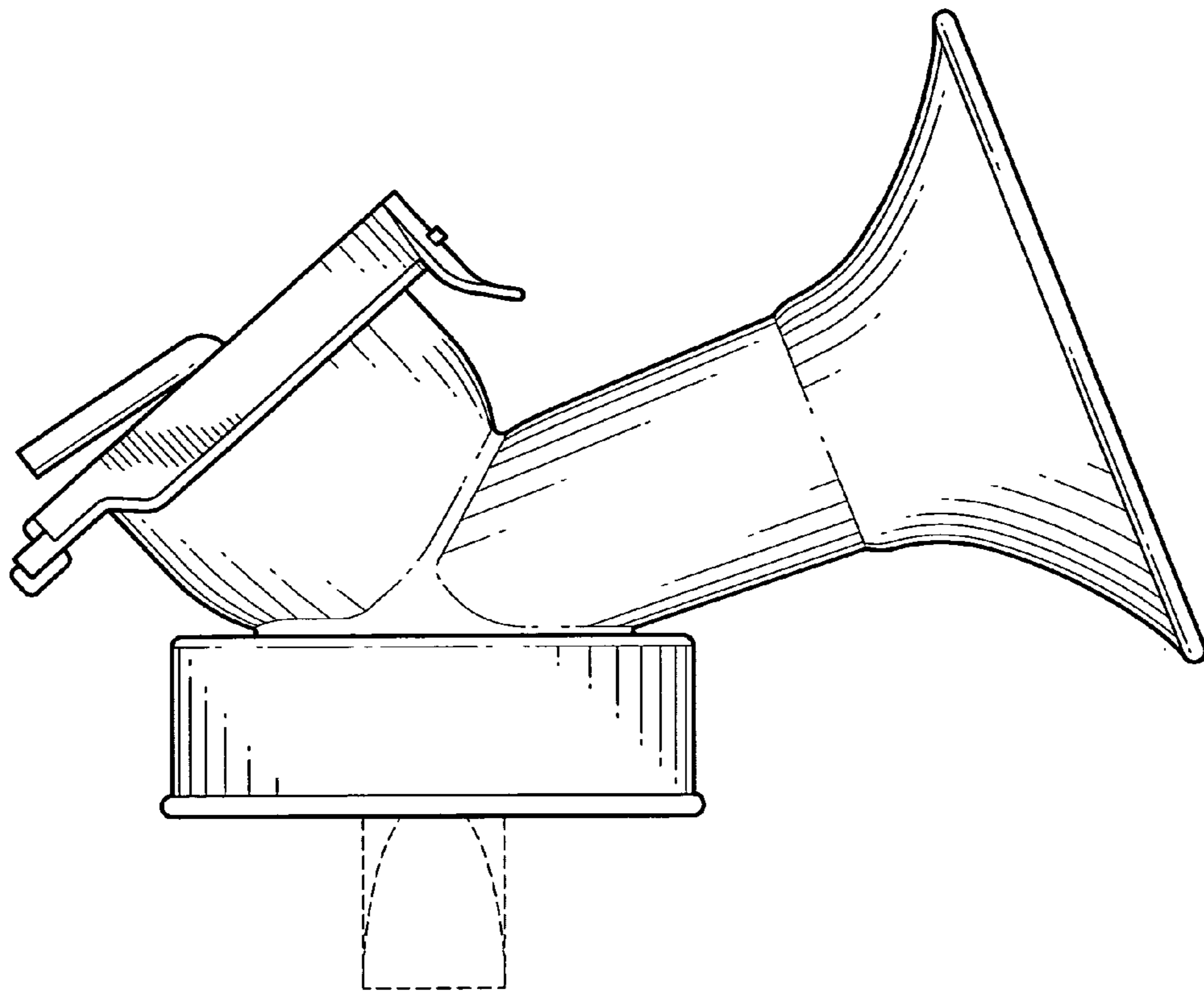


FIG.5



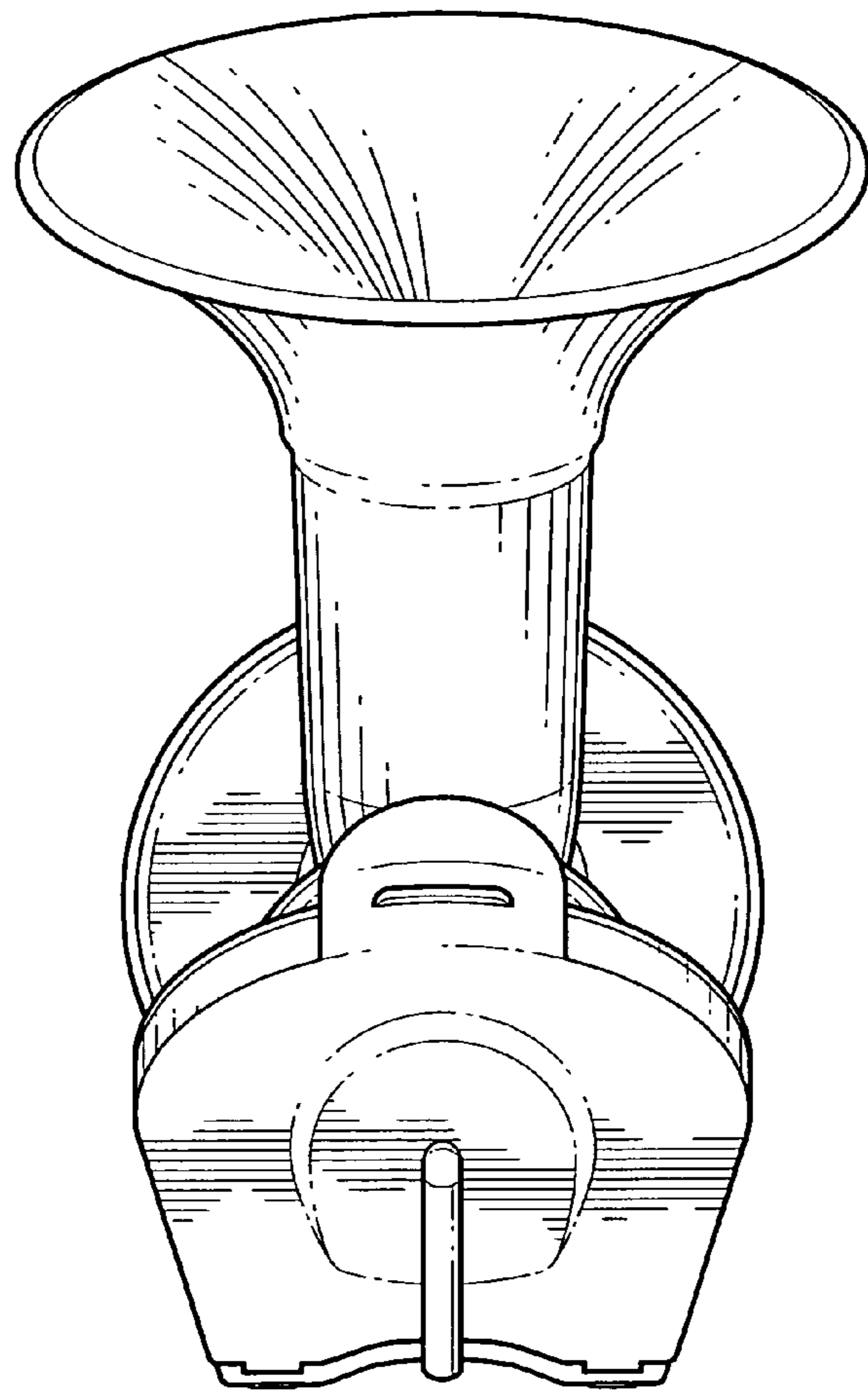


FIG. 6

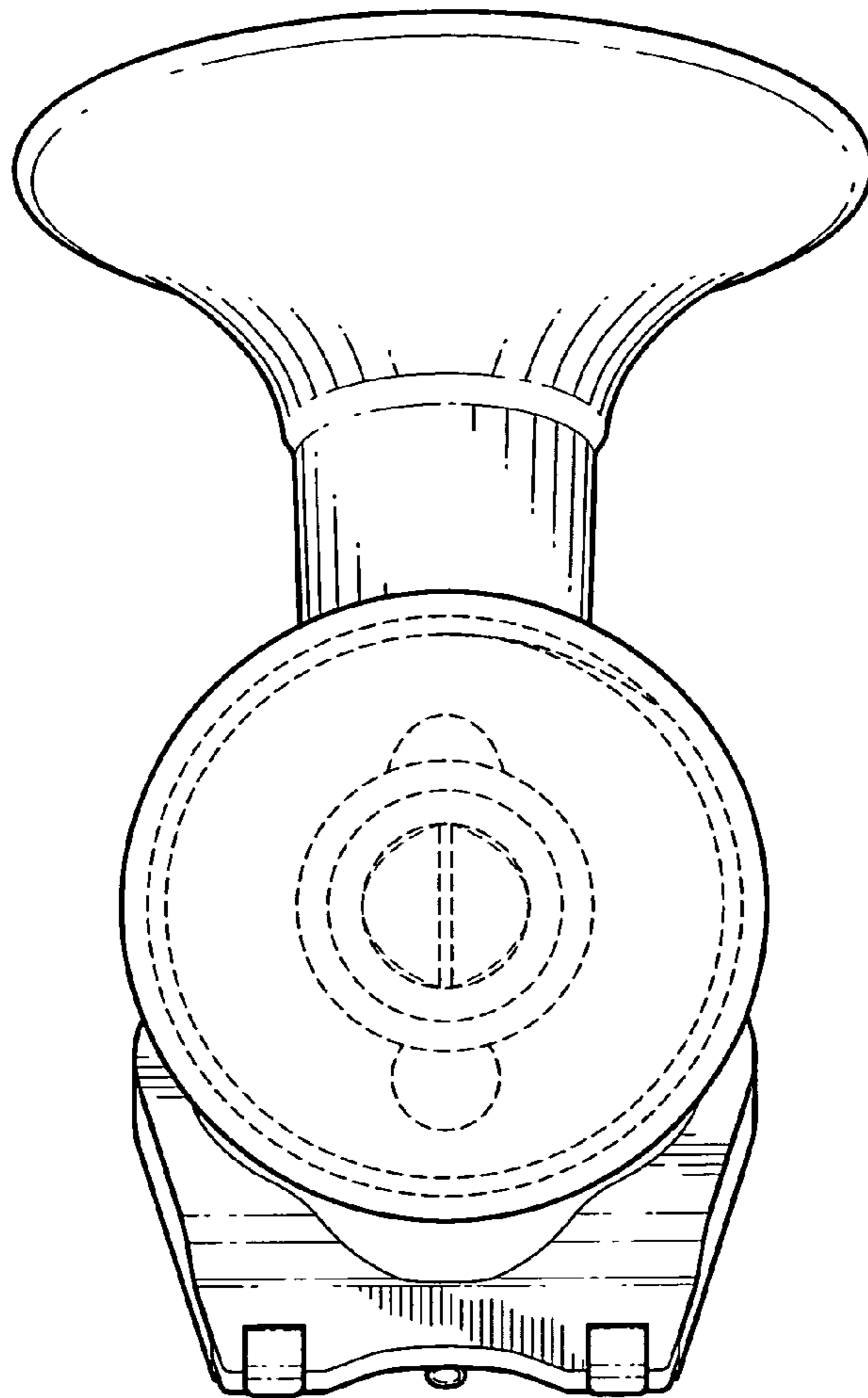


FIG. 7