



US00D676955S

(12) **United States Design Patent**
Orome

(10) **Patent No.:** **US D676,955 S**

(45) **Date of Patent:** **** Feb. 26, 2013**

(54) **IMPLANTABLE ACCESS PORT**

(75) Inventor: **Amir Orome**, Sandy, UT (US)

(73) Assignee: **C. R. Bard, Inc.**, Murray Hill, NJ (US)

(**) Term: **14 Years**

(21) Appl. No.: **29/382,246**

(22) Filed: **Dec. 30, 2010**

(51) **LOC (9) Cl.** **24-01**

(52) **U.S. Cl.** **D24/108**

(58) **Field of Classification Search** D24/108,
D24/111, 117, 129, 155, 216, 224; D13/167;
600/431; 604/9, 19, 23, 48, 93.01, 131-133,
604/141, 151, 173-175, 185, 288.01-288.04,
604/890.1, 891.1

See application file for complete search history.

(56) **References Cited**

U.S. PATENT DOCUMENTS

445,896 A	2/1891	Kinsman
546,440 A	9/1895	Tufts
574,387 A	1/1897	Buckler
611,357 A	9/1898	Dembinski
966,696 A	8/1910	Merrill
D44,302 S	7/1913	Director
1,713,267 A	5/1929	Crowley
2,029,553 A	2/1936	Bartischi et al.
D130,852 S	12/1941	Rothschild
2,433,480 A	12/1947	Rendich
2,891,689 A	6/1959	Gould
D198,453 S	6/1964	Weichselbaum
3,159,175 A	12/1964	Macmillan
3,211,431 A	10/1965	Meyssembourg et al.
3,293,663 A	12/1966	Cronin
3,341,417 A	9/1967	Sinaiko
3,477,438 A	11/1969	Allen et al.
3,518,428 A	6/1970	Ring
3,525,357 A	8/1970	Koreski
3,529,633 A	9/1970	Vailancourt
3,541,438 A	11/1970	Nelsen et al.
3,643,358 A	2/1972	Morderosian
D223,340 S	4/1972	Diedrich
3,669,323 A	6/1972	Harker et al.
3,674,183 A	7/1972	Venable et al.

3,811,466 A	5/1974	Ohringer
3,829,904 A	8/1974	Ling et al.
3,831,583 A	8/1974	Edmunds, Jr. et al.
3,840,009 A	10/1974	Michaels et al.
3,853,127 A	12/1974	Spademan
3,891,997 A	7/1975	Herbert
3,915,162 A	10/1975	Miller

(Continued)

FOREIGN PATENT DOCUMENTS

AU	2008299945 A1	3/2009
CA	2663853 A1	4/2008

(Continued)

OTHER PUBLICATIONS

Allergan, Inc. Lap-Band® System Fact Sheet. © 2007.

(Continued)

Primary Examiner — Ian Simmons

Assistant Examiner — Shannon Weekley

(74) *Attorney, Agent, or Firm* — Rutan & Tucker LLP

(57) **CLAIM**

The ornamental design for an implantable access port, as shown and described.

DESCRIPTION

FIG. 1 is a perspective view of a first embodiment of an implantable access port;

FIG. 2 is a front elevation view of the implantable access port illustrated in FIG. 1;

FIG. 3 is a left side elevation view of the implantable access port illustrated in FIG. 1;

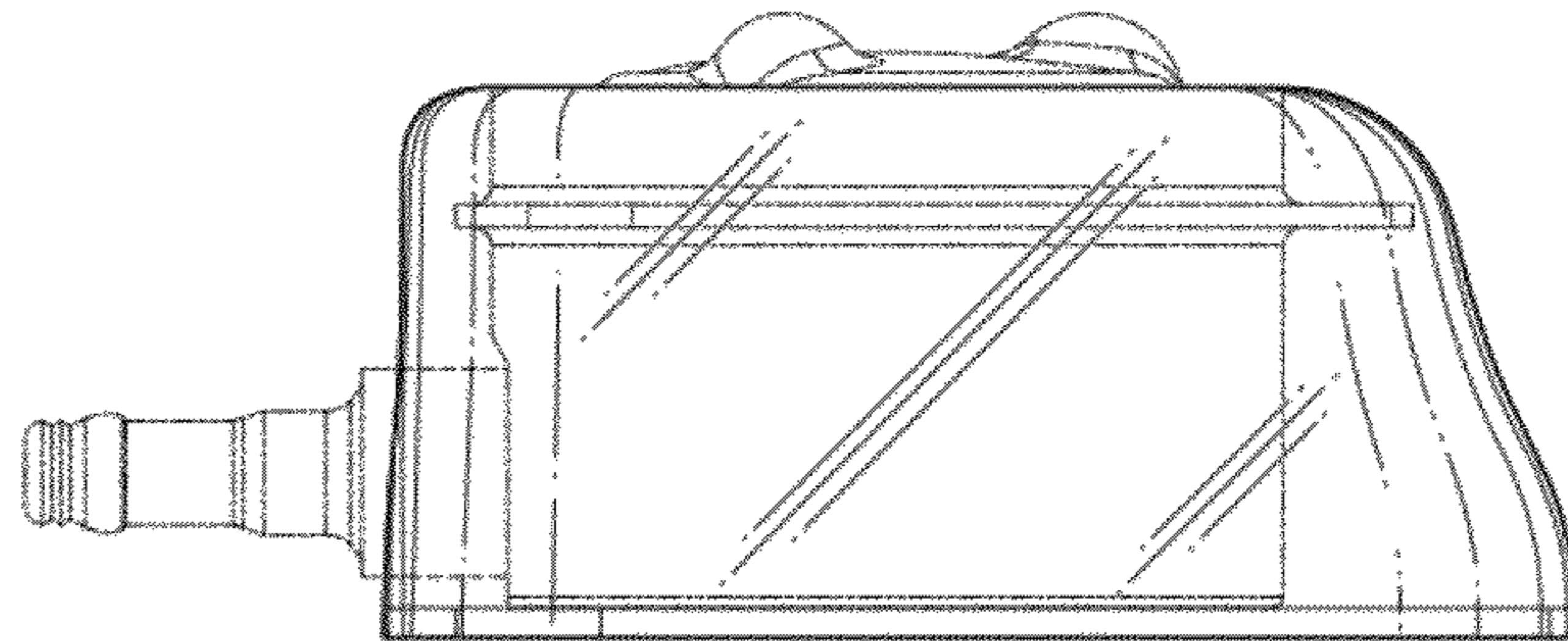
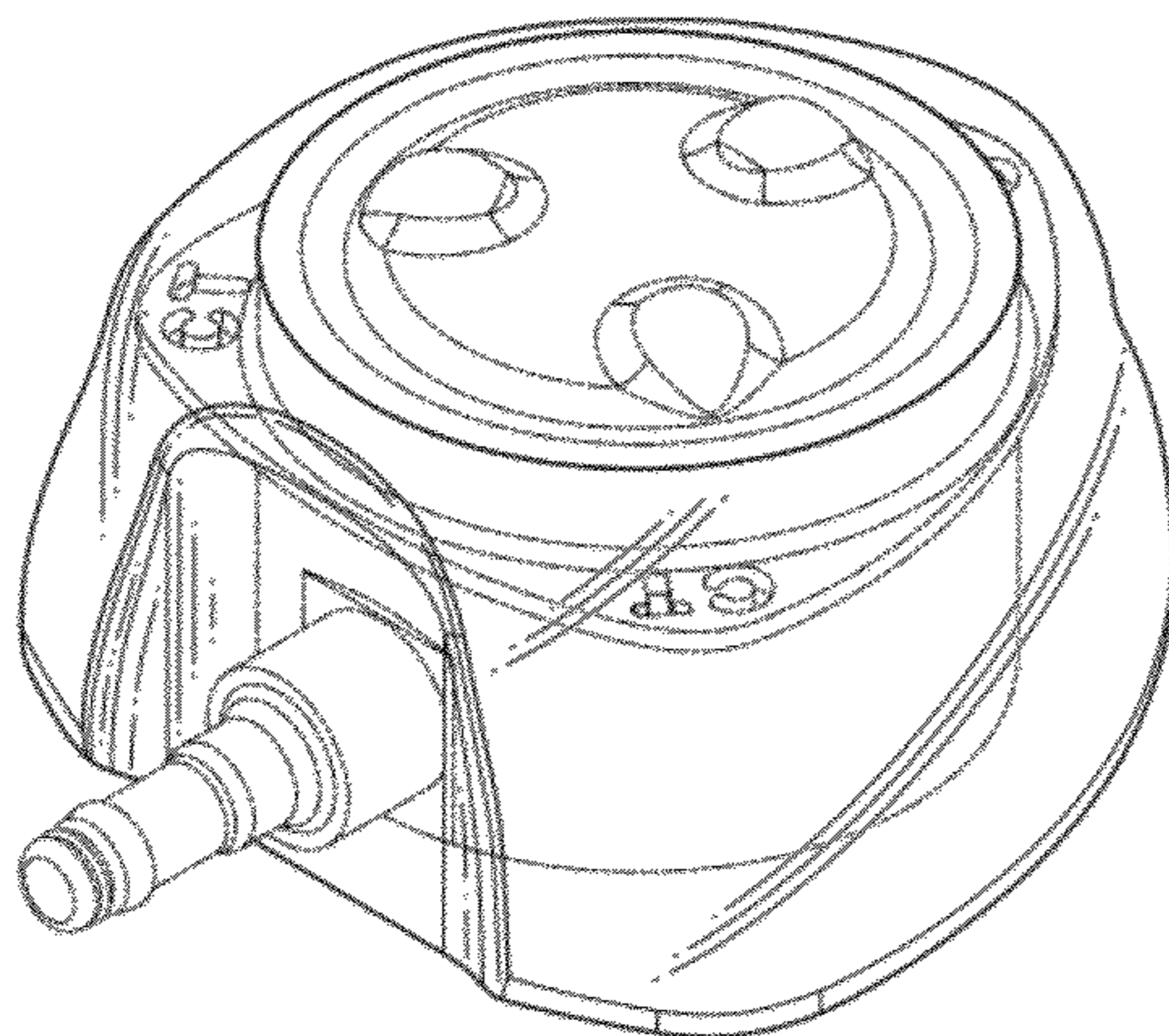
FIG. 4 is a top view of the implantable access port illustrated in FIG. 1;

FIG. 5 is a bottom view of the implantable access port illustrated in FIG. 1; and,

FIG. 6 is a rear elevation view of the implantable access port illustrated in FIG. 1.

The broken line showing in FIGS. 1-6 are included for the purpose of illustrating environmental structures only and forms no part of the claimed design.

1 Claim, 3 Drawing Sheets



US D676,955 S

Page 2

U.S. PATENT DOCUMENTS							
3,919,724	A	11/1975	Sanders et al.	4,772,276	A	9/1988	Wiita et al.
3,922,726	A	12/1975	Trentani et al.	4,773,552	A	9/1988	Boege et al.
3,951,147	A	4/1976	Tucker et al.	4,778,452	A	10/1988	Moden et al.
3,955,594	A	5/1976	Snow	4,781,680	A	11/1988	Redmond et al.
3,971,376	A	7/1976	Wichterle	4,781,685	A	11/1988	Lehmann et al.
4,027,391	A	6/1977	Samis	4,781,695	A	11/1988	Dalton
4,035,653	A	7/1977	Karasko	4,802,885	A	2/1989	Weeks et al.
4,121,108	A	10/1978	Manor	4,804,054	A	2/1989	Howson et al.
4,123,806	A	11/1978	Amstutz et al.	4,820,273	A	4/1989	Reinicke
4,143,853	A	3/1979	Abramson	4,822,341	A	4/1989	Colone
4,168,586	A	9/1979	Samis	4,840,615	A	6/1989	Hancock et al.
4,190,040	A	2/1980	Schulte	4,848,346	A	7/1989	Crawford
4,190,057	A	2/1980	Hill et al.	4,857,053	A	8/1989	Dalton
4,194,122	A	3/1980	Mitchell et al.	4,861,341	A	8/1989	Woodburn
4,196,731	A	4/1980	Laurin et al.	4,863,470	A	9/1989	Carter
4,202,349	A	5/1980	Jones	4,886,501	A	12/1989	Johnston et al.
4,222,374	A	9/1980	Sampson et al.	4,886,502	A	12/1989	Poirier et al.
4,233,964	A	11/1980	Jefferts et al.	4,892,518	A	1/1990	Cupp et al.
4,274,006	A	6/1981	Caine	4,897,081	A	1/1990	Poirier et al.
D263,335	S	3/1982	Bujan	4,904,241	A	2/1990	Bark
4,349,498	A	9/1982	Ellis et al.	4,905,709	A	3/1990	Bieganski et al.
4,361,153	A	11/1982	Slocum et al.	4,908,029	A	3/1990	Bark et al.
4,405,305	A	9/1983	Stephen et al.	4,909,250	A	3/1990	Smith
4,406,567	A	9/1983	Samis	4,915,690	A	4/1990	Cone et al.
4,425,119	A	1/1984	Berglund	4,928,298	A	5/1990	Tanaka
4,445,896	A	5/1984	Gianturco	4,929,236	A	5/1990	Sampson
4,447,237	A	5/1984	Frisch et al.	4,955,861	A	9/1990	Enegren et al.
4,450,592	A	5/1984	Niederer et al.	4,961,267	A	10/1990	Herzog
4,450,985	A	5/1984	Beard	4,963,133	A	10/1990	Whipple
4,456,011	A	6/1984	Warnecke	4,966,583	A	10/1990	Debbas
4,469,483	A	9/1984	Becker et al.	4,973,319	A	11/1990	Melsky
4,479,798	A	10/1984	Parks	4,983,162	A	1/1991	Metais et al.
4,494,545	A	1/1985	Slocum et al.	5,002,735	A	3/1991	Alberhasky et al.
4,506,676	A	3/1985	Duska	5,006,115	A	4/1991	McDonald
4,529,635	A	7/1985	Sheldon	5,009,391	A	4/1991	Steigerwald
4,543,088	A	9/1985	Bootman et al.	5,009,644	A	4/1991	McDonald
4,549,879	A	10/1985	Groshong et al.	5,013,298	A	5/1991	Moden et al.
4,559,043	A	12/1985	Whitehouse et al.	5,041,098	A	8/1991	Loiterman et al.
4,559,046	A	12/1985	Groshong et al.	5,044,955	A	9/1991	Jagmin
4,560,375	A	12/1985	Schulte et al.	5,045,060	A	9/1991	Melsky et al.
4,569,675	A	2/1986	Prosl et al.	5,045,064	A	9/1991	Idriss
4,571,749	A	2/1986	Fischell	5,053,013	A	10/1991	Ensminger et al.
4,576,595	A	3/1986	Aas et al.	5,059,186	A	10/1991	Yamamoto et al.
4,610,665	A	9/1986	Matsumoto et al.	5,069,206	A	12/1991	Crosbie
4,612,877	A	9/1986	Hayes et al.	5,084,015	A	1/1992	Moriuchi
4,626,244	A	12/1986	Reinicke	5,085,216	A	2/1992	Henley, Jr. et al.
4,627,844	A	12/1986	Schmitt	5,090,066	A	2/1992	Schoepe et al.
4,634,427	A	1/1987	Hannula et al.	5,092,849	A	3/1992	Sampson
4,636,194	A	1/1987	Schulte et al.	5,108,317	A	4/1992	Beinhaur et al.
4,636,213	A	1/1987	Pakiam	5,108,375	A	4/1992	Harrison et al.
4,645,495	A	2/1987	Vaillancourt	5,108,377	A	4/1992	Cone et al.
4,653,508	A	3/1987	Cosman	5,112,301	A	5/1992	Fenton, Jr. et al.
4,655,765	A	4/1987	Swift	5,112,303	A	5/1992	Pudenz et al.
4,657,024	A	4/1987	Coneys	5,129,891	A	7/1992	Young
4,662,652	A	5/1987	Hargis	5,137,529	A	8/1992	Watson et al.
4,668,221	A	5/1987	Luther	5,147,483	A	9/1992	Melsky et al.
4,671,796	A	6/1987	Groshong et al.	5,152,753	A	10/1992	Laguetta et al.
4,673,394	A	6/1987	Fenton, Jr. et al.	5,156,600	A	10/1992	Young
4,681,560	A	7/1987	Schulte et al.	5,158,547	A	10/1992	Doan et al.
4,684,365	A	8/1987	Reinicke	5,167,629	A	12/1992	Vertenstein et al.
4,685,447	A	8/1987	Iversen et al.	5,167,633	A	12/1992	Mann et al.
4,685,905	A	8/1987	Jeanneret nee Aab	5,167,638	A	12/1992	Felix et al.
4,692,146	A	9/1987	Hilger	5,169,393	A	12/1992	Moorehead et al.
4,695,273	A	9/1987	Brown	5,171,228	A	12/1992	McDonald
4,697,595	A	10/1987	Breyer et al.	5,176,653	A	1/1993	Metals
4,701,166	A	10/1987	Groshong et al.	5,176,662	A	1/1993	Bartholomew et al.
4,704,103	A	11/1987	Stober et al.	5,178,612	A	1/1993	Fenton, Jr.
4,710,167	A	12/1987	Lazorthes	5,180,365	A	1/1993	Ensminger et al.
4,710,174	A	12/1987	Moden et al.	5,185,003	A	2/1993	Brethauer
4,718,894	A	1/1988	Lazorthes	5,189,690	A	2/1993	Samuel
4,728,894	A	3/1988	Yoda et al.	5,193,106	A	3/1993	DeSena
4,743,231	A	5/1988	Kay et al.	5,195,122	A	3/1993	Fabian
4,753,640	A	6/1988	Nichols et al.	5,195,123	A	3/1993	Clement
4,755,173	A	7/1988	Konopka et al.	5,201,715	A	4/1993	Masters
4,760,837	A	8/1988	Petit	5,201,722	A	4/1993	Moorehead et al.
4,762,517	A	8/1988	McIntyre et al.	5,203,771	A	4/1993	Melker et al.
4,767,410	A	8/1988	Moden et al.	5,203,777	A	4/1993	Lee
4,772,270	A	9/1988	Wiita et al.	5,205,834	A	4/1993	Moorehead et al.
				5,207,644	A	5/1993	Strecker

US D676,955 S

Page 3

5,213,574 A	5/1993	Tucker	RE35,601 E	9/1997	Eckenhoff
5,215,537 A	6/1993	Lynn et al.	5,662,612 A	9/1997	Niehoff
5,222,499 A	6/1993	Allen et al.	5,662,616 A	9/1997	Bousquet
D337,637 S	7/1993	Tucker	5,676,146 A	10/1997	Scarborough
5,224,938 A	7/1993	Fenton, Jr.	5,695,490 A	12/1997	Flaherty et al.
5,242,415 A	9/1993	Kantrowitz et al.	5,702,128 A	12/1997	Maxim et al.
5,249,598 A	10/1993	Schmidt	5,702,363 A	12/1997	Flaherty
5,263,930 A	11/1993	Ensminger	5,704,915 A	1/1998	Melsky et al.
D342,134 S	12/1993	Mongeon	5,707,357 A	1/1998	Mikhail et al.
5,281,199 A	1/1994	Ensminger et al.	5,709,668 A	1/1998	Wacks
5,281,205 A	1/1994	McPherson	5,713,844 A	2/1998	Peyman
5,290,263 A	3/1994	Wigness et al.	5,713,858 A	2/1998	Heruth et al.
5,295,658 A	3/1994	Atkinson et al.	5,713,859 A	2/1998	Finch, Jr. et al.
5,299,253 A	3/1994	Wessels	5,718,382 A	2/1998	Jaeger
5,300,048 A	4/1994	Drewes, Jr. et al.	5,718,682 A	2/1998	Tucker
5,309,863 A	5/1994	Leeb, Jr.	5,725,507 A	3/1998	Petrick
5,312,337 A	5/1994	Flaherty et al.	5,733,336 A	3/1998	Neuenfeldt et al.
5,318,545 A	6/1994	Tucker	5,733,400 A	3/1998	Gore et al.
5,320,100 A	6/1994	Herweck et al.	5,741,228 A	4/1998	Lambrecht et al.
5,328,480 A	7/1994	Melker et al.	5,743,873 A	4/1998	Cai et al.
5,332,398 A	7/1994	Miller et al.	5,743,891 A	4/1998	Tolkoff et al.
5,336,194 A	8/1994	Polaschegg et al.	5,746,460 A	5/1998	Marohl et al.
5,338,398 A	8/1994	Szwejkowski et al.	5,755,780 A	5/1998	Finch, Jr. et al.
5,350,360 A	9/1994	Ensminger et al.	5,758,667 A	6/1998	Slettenmark
5,352,204 A	10/1994	Ensminger	5,769,823 A	6/1998	Otto
5,356,381 A	10/1994	Ensminger et al.	5,773,552 A	6/1998	Hutchings et al.
5,360,407 A	11/1994	Leonard et al.	5,776,188 A	7/1998	Shepherd et al.
5,383,223 A	1/1995	Inokuchi	5,792,104 A	8/1998	Speckman et al.
5,383,233 A	1/1995	Russell	5,792,116 A	8/1998	Berg et al.
5,383,585 A	1/1995	Weiss	5,792,123 A	8/1998	Ensminger
5,383,858 A	1/1995	Reilly et al.	5,797,886 A	8/1998	Roth et al.
D355,240 S	2/1995	Gladfelter et al.	5,810,789 A	9/1998	Powers et al.
5,387,192 A	2/1995	Glantz et al.	5,814,016 A	9/1998	Valley et al.
5,394,457 A	2/1995	Leibinger et al.	5,824,071 A	10/1998	Nelson et al.
5,395,324 A	3/1995	Hinrichs et al.	5,830,172 A	11/1998	Leveen et al.
5,396,925 A	3/1995	Poli	5,833,654 A	11/1998	Powers et al.
5,397,329 A	3/1995	Allen	5,835,563 A	11/1998	Navab et al.
5,399,168 A	3/1995	Wadsworth, Jr. et al.	5,836,935 A	11/1998	Ashton et al.
5,405,402 A	4/1995	Dye et al.	5,840,063 A	11/1998	Flaherty
5,417,565 A	5/1995	Long	5,843,069 A	12/1998	Butler et al.
5,417,656 A	5/1995	Ensminger et al.	5,848,989 A	12/1998	Villani
5,421,814 A	6/1995	Geary	5,853,394 A	12/1998	Tolkoff et al.
5,423,334 A	6/1995	Jordan	5,868,702 A	2/1999	Stevens et al.
5,425,762 A	6/1995	Muller	5,879,322 A	3/1999	Lattin et al.
5,453,097 A	9/1995	Paradis	5,882,341 A	3/1999	Bousquet
5,456,698 A	10/1995	Byland et al.	5,882,353 A	3/1999	VanBeek et al.
5,476,451 A	12/1995	Ensminger et al.	5,895,424 A	4/1999	Steele, Sr. et al.
5,476,460 A	12/1995	Montalvo	5,897,528 A	4/1999	Schultz
5,476,880 A	12/1995	Cooke et al.	5,904,934 A	5/1999	Maruyama et al.
5,484,402 A	1/1996	Saravia et al.	5,906,592 A	5/1999	Kriesel et al.
5,503,630 A	4/1996	Ensminger et al.	5,906,596 A	5/1999	Tallarida
5,507,813 A	4/1996	Dowd et al.	5,908,413 A	6/1999	Lange et al.
5,509,805 A	4/1996	Jagmin	5,908,414 A	6/1999	Otto et al.
5,513,637 A	5/1996	Twiss et al.	5,911,706 A	6/1999	Estabrook et al.
5,514,103 A	5/1996	Srisathapat et al.	5,913,998 A	6/1999	Butler et al.
5,520,632 A	5/1996	Leveen et al.	5,916,263 A	6/1999	Goicoechea et al.
5,520,643 A	5/1996	Ensminger et al.	5,919,160 A	7/1999	Sanfilippo, II
5,527,277 A	6/1996	Ensminger et al.	5,925,017 A	7/1999	Kriesel et al.
5,527,278 A	6/1996	Ensminger et al.	5,925,030 A	7/1999	Gross et al.
5,527,307 A	6/1996	Srisathapat et al.	5,928,197 A	7/1999	Niehoff
5,531,684 A	7/1996	Ensminger et al.	5,931,829 A	8/1999	Burbank et al.
5,542,923 A	8/1996	Ensminger et al.	5,941,856 A	8/1999	Kovacs et al.
5,545,143 A	8/1996	Fischell	5,944,023 A	8/1999	Johnson et al.
5,554,117 A	9/1996	Ensminger et al.	5,944,688 A	8/1999	Lois
5,556,381 A	9/1996	Ensminger et al.	5,944,698 A	8/1999	Fischer et al.
5,558,641 A	9/1996	Glantz et al.	5,944,712 A	8/1999	Frassica et al.
5,562,617 A	10/1996	Finch, Jr. et al.	D413,672 S	9/1999	Fogarty
5,562,618 A	10/1996	Cai et al.	5,947,953 A	9/1999	Ash et al.
5,575,770 A	11/1996	Melsky et al.	5,951,512 A	9/1999	Dalton
5,593,028 A	1/1997	Haber et al.	5,951,522 A	9/1999	Rosato et al.
5,593,434 A	1/1997	Williams	5,951,929 A	9/1999	Wilson
5,607,393 A	3/1997	Ensminger et al.	5,954,687 A	9/1999	Baudino
5,607,407 A	3/1997	Tolkoff et al.	5,954,691 A	9/1999	Prosl
5,613,945 A	3/1997	Cai et al.	5,957,890 A	9/1999	Mann et al.
5,620,419 A	4/1997	Lui et al.	5,961,497 A	10/1999	Larkin
5,632,729 A	5/1997	Cai et al.	5,968,011 A	10/1999	Larsen et al.
5,637,102 A	6/1997	Tolkoff et al.	5,970,162 A	10/1999	Kawashima
5,638,832 A	6/1997	Singer et al.	5,989,216 A	11/1999	Johnson et al.
5,647,855 A	7/1997	Trooskin	5,989,239 A	11/1999	Finch et al.

US D676,955 S

Page 4

5,989,641 A	11/1999	Oulie	6,767,356 B2	7/2004	Kanner et al.
5,997,524 A	12/1999	Burbank et al.	6,784,783 B2	8/2004	Scoggin et al.
6,007,516 A	12/1999	Burbank et al.	6,808,738 B2	10/2004	DiTizio et al.
6,013,051 A	1/2000	Nelson	D498,894 S	11/2004	Gould
6,013,058 A	1/2000	Prosl et al.	6,826,257 B2	11/2004	Sayre et al.
6,017,331 A	1/2000	Watts et al.	6,827,709 B2	12/2004	Fujii
6,022,335 A	2/2000	Ramadan	6,852,106 B2	2/2005	Watson et al.
6,033,389 A	3/2000	Cornish	6,878,136 B2	4/2005	Fleury et al.
6,039,712 A	3/2000	Fogarty et al.	6,878,137 B2	4/2005	Benchetrit
6,056,717 A	5/2000	Finch et al.	6,929,631 B1	8/2005	Brugger et al.
6,077,756 A	6/2000	Lin et al.	6,949,084 B2	9/2005	Marggi et al.
6,086,555 A	7/2000	Eliassen et al.	6,962,577 B2	11/2005	Tallarida et al.
6,090,066 A	7/2000	Schnell	6,962,580 B2	11/2005	Adams et al.
6,099,508 A	8/2000	Bousquet	6,994,315 B2	2/2006	Ryan et al.
6,102,884 A	8/2000	Squitieri	6,997,914 B2	2/2006	Smith et al.
6,113,572 A	9/2000	Gailey et al.	7,008,377 B2	3/2006	Beane et al.
6,120,492 A	9/2000	Finch et al.	7,008,412 B2	3/2006	Maginot
6,152,909 A	11/2000	Bagoaisan et al.	7,016,456 B2	3/2006	Basu et al.
6,161,033 A	12/2000	Kuhn	7,018,361 B2	3/2006	Gillespie, Jr. et al.
6,171,198 B1	1/2001	Lizama Troncoso et al.	D518,573 S	4/2006	French
6,171,298 B1	1/2001	Matsuura et al.	7,033,335 B2	4/2006	Haarala et al.
6,186,982 B1	2/2001	Gross et al.	7,033,339 B1	4/2006	Lynn
6,190,352 B1	2/2001	Haarala et al.	7,044,942 B2	5/2006	Jolly et al.
6,193,684 B1	2/2001	Burbank et al.	7,056,316 B1	6/2006	Burbank et al.
6,198,807 B1	3/2001	DeSena	7,070,591 B2	7/2006	Adams et al.
6,200,338 B1	3/2001	Solomon et al.	7,072,704 B2	7/2006	Bucholz
6,203,570 B1	3/2001	Baeke	7,074,232 B2	7/2006	Kanner et al.
6,210,366 B1	4/2001	Sanfilippo, II	7,076,305 B2	7/2006	Imran et al.
6,213,973 B1	4/2001	Eliassen et al.	7,083,593 B2	8/2006	Stultz
6,228,088 B1	5/2001	Miller et al.	7,108,686 B2	9/2006	Burke et al.
6,251,059 B1	6/2001	Apple et al.	7,123,690 B1	10/2006	Brown et al.
D445,175 S	7/2001	Bertheas	7,127,040 B2	10/2006	Sayre et al.
6,269,148 B1	7/2001	Jessop et al.	7,131,962 B1	11/2006	Estabrook et al.
6,272,370 B1	8/2001	Gillies et al.	7,140,769 B2	11/2006	Kay
6,287,293 B1	9/2001	Jones et al.	7,186,236 B2	3/2007	Gibson et al.
6,290,677 B1	9/2001	Arai et al.	7,191,011 B2	3/2007	Cantlon
6,305,413 B1	10/2001	Fischer et al.	7,198,631 B2	4/2007	Kanner et al.
6,306,124 B1	10/2001	Jones et al.	7,214,207 B2	5/2007	Lynch et al.
D450,115 S	11/2001	Bertheas	7,214,215 B2	5/2007	Heinzerling et al.
6,332,874 B1	12/2001	Eliassen et al.	7,223,257 B2	5/2007	Shubayev et al.
6,355,021 B1	3/2002	Nielsen et al.	7,229,417 B2	6/2007	Foerster et al.
6,356,782 B1	3/2002	Sirimanne et al.	7,235,067 B2	6/2007	Morris et al.
6,361,557 B1	3/2002	Gittings et al.	D546,440 S	7/2007	Burnside
6,398,764 B1	6/2002	Finch, Jr. et al.	7,242,982 B2	7/2007	Singhal et al.
6,419,680 B1	7/2002	Cosman et al.	7,252,469 B2	8/2007	Zaluzec et al.
6,450,937 B1	9/2002	Mercereau et al.	7,252,649 B2	8/2007	Sherry
6,473,638 B2	10/2002	Ferek-Petric	7,261,705 B2	8/2007	Edoga et al.
6,475,516 B2	11/2002	DiCosmo et al.	D550,355 S	9/2007	Racz et al.
6,478,783 B1	11/2002	Moorehead	D554,253 S	10/2007	Kornerup
6,482,217 B1	11/2002	Pintor et al.	7,275,682 B2	10/2007	Excoffier et al.
6,494,867 B1	12/2002	Elver et al.	7,276,075 B1	10/2007	Callas et al.
6,497,062 B1	12/2002	Koopman et al.	D556,153 S	11/2007	Burnside
6,500,155 B2	12/2002	Sasso	7,306,579 B2	12/2007	Fujii
6,503,228 B1	1/2003	Li et al.	7,311,702 B2	12/2007	Tallarida et al.
6,527,754 B1	3/2003	Tallarida et al.	7,318,816 B2	1/2008	Bobroff et al.
6,537,255 B1	3/2003	Raines	7,318,818 B2	1/2008	Yashiro et al.
RE38,074 E	4/2003	Recinella et al.	7,322,953 B2	1/2008	Redinger
6,562,023 B1	5/2003	Marrs et al.	D562,442 S	2/2008	Blateri
6,582,418 B1	6/2003	Verbeek et al.	D562,443 S	2/2008	Zinn et al.
6,592,571 B1	7/2003	Verbeek et al.	7,331,130 B2	2/2008	Schweikert
6,610,031 B1	8/2003	Chin	7,331,948 B2	2/2008	Skarda
6,613,002 B1	9/2003	Clark et al.	7,333,013 B2	2/2008	Berger
6,613,662 B2	9/2003	Wark et al.	D564,449 S	3/2008	Dewberry
6,626,936 B2	9/2003	Stinson	7,347,838 B2	3/2008	Kulli
D480,942 S	10/2003	Ishida et al.	7,347,843 B2	3/2008	Adams et al.
6,629,950 B1	10/2003	Levin	7,351,233 B2	4/2008	Parks
6,632,217 B2	10/2003	Harper et al.	7,377,915 B2	5/2008	Rasmussen et al.
6,652,486 B2	11/2003	Bialecki et al.	D574,950 S	8/2008	Zawacki et al.
6,652,503 B1	11/2003	Bradley	7,413,564 B2	8/2008	Morris et al.
6,663,646 B1	12/2003	Shah	D578,203 S	10/2008	Bizup
6,676,633 B2	1/2004	Smith et al.	7,445,614 B2	11/2008	Bunodiare et al.
6,697,664 B2	2/2004	Kienzle, III et al.	D582,032 S	12/2008	Bizup et al.
6,705,316 B2	3/2004	Blythe et al.	7,465,847 B2	12/2008	Fabian
6,719,721 B1	4/2004	Okazaki et al.	D590,499 S	4/2009	Chesnin
6,719,739 B2	4/2004	Verbeek et al.	7,553,298 B2	6/2009	Hunt et al.
6,726,063 B2	4/2004	Stull et al.	D595,892 S	7/2009	Smith et al.
6,738,531 B1	5/2004	Funahashi	7,563,025 B2	7/2009	Kay
6,755,842 B2	6/2004	Kanner et al.	7,658,196 B2	2/2010	Ferreri et al.
6,758,841 B2	7/2004	Haarala et al.	D612,479 S	3/2010	Zawacki et al.

US D676,955 S

Page 5

D613,394 S	4/2010	Linden	2005/0113806 A1	5/2005	De Carvalho et al.
7,713,251 B2	5/2010	Tallarida et al.	2005/0124980 A1	6/2005	Sanders
D619,242 S	7/2010	Zinn et al.	2005/0131352 A1	6/2005	Conlon et al.
7,785,302 B2	8/2010	Powers	2005/0148866 A1	7/2005	Gunderson
D629,503 S	12/2010	Caffey et al.	2005/0148956 A1	7/2005	Conlon et al.
7,846,139 B2	12/2010	Zinn et al.	2005/0148957 A1	7/2005	Girard et al.
D634,840 S	3/2011	Lombardi, III et al.	2005/0152841 A1	7/2005	Sayre et al.
7,909,804 B2	3/2011	Stats	2005/0171502 A1	8/2005	Daly et al.
7,947,022 B2	5/2011	Amin et al.	2005/0182857 A1	8/2005	Kong
7,959,615 B2	6/2011	Stats et al.	2005/0209573 A1	9/2005	Brugger et al.
7,972,314 B2	7/2011	Bizup et al.	2005/0215874 A1	9/2005	Wang et al.
8,021,324 B2	9/2011	Bizup et al.	2005/0241203 A1	11/2005	Lizotte et al.
8,025,639 B2	9/2011	Powers et al.	2005/0256451 A1	11/2005	Adams et al.
8,029,482 B2	10/2011	Maniar et al.	2005/0256500 A1	11/2005	Fujii
D650,475 S	12/2011	Smith et al.	2005/0277899 A1	12/2005	Conlon et al.
8,075,536 B2	12/2011	Gray et al.	2005/0283119 A1	12/2005	Uth et al.
8,092,435 B2	1/2012	Beling et al.	2006/0009788 A1	1/2006	Freeman et al.
8,147,455 B2	4/2012	Butts et al.	2006/0017341 A1	1/2006	Hahn et al.
8,172,894 B2	5/2012	Schmid et al.	2006/0084929 A1	4/2006	Eliassen
8,172,896 B2	5/2012	McNamara et al.	2006/0089619 A1	4/2006	Ginggen
8,177,762 B2	5/2012	Beasley et al.	2006/0100592 A1	5/2006	Eliassen
8,197,454 B2	6/2012	Mann et al.	2006/0116648 A1	6/2006	Hamatake
8,202,259 B2	6/2012	Evans et al.	2006/0171980 A1	8/2006	Helmus et al.
8,257,325 B2	9/2012	Schweikert et al.	2006/0173410 A1	8/2006	Moberg et al.
2001/0016717 A1	8/2001	Haarala et al.	2006/0173424 A1	8/2006	Conlon
2001/0047165 A1	11/2001	Makower et al.	2006/0178647 A1	8/2006	Stats
2001/0051766 A1	12/2001	Gazdzinski	2006/0178648 A1	8/2006	Barron et al.
2001/0053889 A1	12/2001	Marggi et al.	2006/0184141 A1	8/2006	Smith et al.
2001/0056266 A1	12/2001	Tallarida et al.	2006/0184142 A1	8/2006	Schon et al.
2002/0013557 A1	1/2002	Sherry	2006/0217359 A1	9/2006	Wentworth et al.
2002/0095205 A1	7/2002	Edwin et al.	2006/0217659 A1	9/2006	Patton
2002/0121530 A1	9/2002	Socier	2006/0217668 A1	9/2006	Schulze et al.
2002/0138068 A1	9/2002	Watson et al.	2006/0224128 A1	10/2006	Lurvey et al.
2002/0173769 A1	11/2002	Gray et al.	2006/0224129 A1	10/2006	Beasley et al.
2002/0188282 A1	12/2002	Greenberg	2006/0241465 A1	10/2006	Huennekens et al.
2003/0028173 A1	2/2003	Forsberg	2006/0247584 A1	11/2006	Sheetz et al.
2003/0109856 A1	6/2003	Sherry	2006/0253076 A1	11/2006	Butts et al.
2003/0130627 A1	7/2003	Smith et al.	2006/0264898 A1	11/2006	Beasley et al.
2003/0139812 A1	7/2003	Garcia et al.	2007/0003603 A1	1/2007	Karandikar et al.
2003/0141477 A1	7/2003	Miller	2007/0007839 A1	1/2007	Lin
2003/0181878 A1	9/2003	Tallarida et al.	2007/0010881 A1	1/2007	Soye et al.
2003/0191452 A1	10/2003	Meglin et al.	2007/0016162 A1	1/2007	Burbank et al.
2003/0216694 A1	11/2003	Tollini	2007/0049806 A1	3/2007	Adams et al.
2003/0217659 A1	11/2003	Yamamoto et al.	2007/0049876 A1	3/2007	Patton
2004/0002693 A1	1/2004	Bright et al.	2007/0055290 A1	3/2007	Lober
2004/0006316 A1	1/2004	Patton	2007/0073250 A1	3/2007	Schneiter
2004/0020462 A1	2/2004	Sauler et al.	2007/0078391 A1	4/2007	Wortley et al.
2004/0020492 A1	2/2004	Dubrul et al.	2007/0078416 A1	4/2007	Eliassen
2004/0044306 A1	3/2004	Lynch et al.	2007/0078432 A1	4/2007	Halseth et al.
2004/0054352 A1	3/2004	Adams et al.	2007/0083111 A1	4/2007	Hossack et al.
2004/0056266 A1	3/2004	Suh et al.	2007/0083156 A1	4/2007	Muto et al.
2004/0064110 A1	4/2004	Forsell	2007/0100302 A1	5/2007	Dicarlo et al.
2004/0073196 A1	4/2004	Adams et al.	2007/0120683 A1	5/2007	Flippen et al.
2004/0078000 A1	4/2004	Borchard et al.	2007/0123831 A1	5/2007	Haindl et al.
2004/0086568 A1	5/2004	Ditizio et al.	2007/0149920 A1	6/2007	Michels et al.
2004/0087877 A1	5/2004	Besz et al.	2007/0149921 A1	6/2007	Michels et al.
2004/0106878 A1	6/2004	Skujins et al.	2007/0161958 A1	7/2007	Glenn
2004/0106891 A1	6/2004	Langan et al.	2007/0179456 A1	8/2007	Glenn
2004/0133173 A1	7/2004	Edoga et al.	2007/0185462 A1	8/2007	Byrum
2004/0157952 A1	8/2004	Soffiati et al.	2007/0191773 A1	8/2007	Wojcik
2004/0158207 A1	8/2004	Hunn et al.	2007/0207335 A1	9/2007	Karandikar et al.
2004/0167543 A1	8/2004	Mazzocchi et al.	2007/0208313 A1	9/2007	Conlon et al.
2004/0176743 A1	9/2004	Morris et al.	2007/0219510 A1	9/2007	Zinn et al.
2004/0186444 A1	9/2004	Daly et al.	2007/0233017 A1	10/2007	Zinn et al.
2004/0199129 A1	10/2004	DiMatteo	2007/0233018 A1	10/2007	Bizup et al.
2004/0199220 A1	10/2004	Cantlon	2007/0255226 A1	11/2007	Tennican et al.
2004/0204692 A1	10/2004	Eliassen	2007/0255234 A1	11/2007	Haase et al.
2004/0225254 A1	11/2004	Tanaka et al.	2007/0270691 A1	11/2007	Bailey et al.
2004/0254536 A1	12/2004	Conlon et al.	2007/0270770 A1	11/2007	Bizup
2004/0254537 A1	12/2004	Conlon et al.	2007/0276344 A1	11/2007	Bizup et al.
2005/0010176 A1	1/2005	Dikeman et al.	2007/0276355 A1	11/2007	Nielsen et al.
2005/0027234 A1	2/2005	Waggoner et al.	2007/0293800 A1	12/2007	McMaken et al.
2005/0027261 A1	2/2005	Weaver et al.	2007/0299408 A1	12/2007	Alferness et al.
2005/0038390 A1	2/2005	Fago et al.	2008/0004642 A1	1/2008	Birk et al.
2005/0049553 A1	3/2005	Triplett et al.	2008/0008654 A1	1/2008	Clarke et al.
2005/0070875 A1	3/2005	Kulesa	2008/0015701 A1	1/2008	Garcia et al.
2005/0075614 A1	4/2005	Bunodiare et al.	2008/0039820 A1	2/2008	Sommers et al.
2005/0080401 A1	4/2005	Peavey	2008/0048855 A1	2/2008	Berger
2005/0085778 A1	4/2005	Parks	2008/0108949 A1	5/2008	Beasley et al.

US D676,955 S

2008/0114308	A1	5/2008	di Palma et al.	EP	2324880	A2	5/2011
2008/0133265	A1	6/2008	Silkaitis et al.	EP	2365838	A1	9/2011
2008/0137923	A1	6/2008	Spahn	FR	2508008	A1	12/1982
2008/0138387	A1	6/2008	Machiraju	FR	2809315	A1	11/2001
2008/0140025	A1	6/2008	Sheetz et al.	GB	966137	A	8/1964
2008/0208236	A1	8/2008	Hobbs et al.	GB	2102398	A	2/1983
2008/0281279	A1	11/2008	Hoendervoogt et al.	JP	62155857	A	7/1987
2008/0319398	A1	12/2008	Bizup	JP	62281966	A	12/1987
2008/0319399	A1	12/2008	Schweikert et al.	JP	6296633	A	10/1994
2008/0319405	A1	12/2008	Bizup	JP	2002500076	A	1/2002
2009/0024024	A1	1/2009	Zinn	JP	2006025948	A	2/2006
2009/0024098	A1	1/2009	Bizup et al.	WO	8600213	A1	1/1986
2009/0035582	A1	2/2009	Nakatani et al.	WO	8911309	A1	11/1989
2009/0118683	A1	5/2009	Hanson et al.	WO	9001958	A1	3/1990
2009/0156928	A1	6/2009	Evans et al.	WO	9206732	A1	4/1992
2009/0204072	A1	8/2009	Amin et al.	WO	9305730	A1	4/1993
2009/0204074	A1	8/2009	Powers et al.	WO	9405351	A1	3/1994
2009/0216216	A1	8/2009	Powers et al.	WO	9516480	A1	6/1995
2009/0221976	A1	9/2009	Linden	WO	9701370	A1	1/1997
2009/0227862	A1	9/2009	Smith et al.	WO	9706845	A1	2/1997
2009/0227951	A1	9/2009	Powers et al.	WO	9711726	A1	4/1997
2010/0010339	A1	1/2010	Smith et al.	WO	9723255	A1	7/1997
2010/0042073	A1	2/2010	Oster et al.	WO	9726931	A1	7/1997
2010/0063451	A1	3/2010	Gray et al.	WO	9817337	A1	4/1998
2010/0069743	A1	3/2010	Sheetz et al.	WO	9818506	A1	5/1998
2010/0106094	A1	4/2010	Fisher et al.	WO	9934859	A1	7/1999
2010/0121283	A1	5/2010	Hamatake et al.	WO	9938553	A1	8/1999
2010/0211026	A2	8/2010	Sheetz et al.	WO	9942166	A1	8/1999
2010/0268165	A1	10/2010	Maniar et al.	WO	0012171	A1	3/2000
2011/0092921	A1	4/2011	Beling et al.	WO	0016844	A1	3/2000
2011/0098662	A1	4/2011	Zinn	WO	0033901	A1	6/2000
2011/0098663	A1	4/2011	Zinn	WO	0123023	A1	4/2001
2011/0118677	A1	5/2011	Wiley et al.	WO	0160444	A1	8/2001
2011/0257609	A1	10/2011	Bizup et al.	WO	0247549	A1	6/2002
2011/0264058	A1	10/2011	Linden et al.	WO	03084832	A1	10/2003
2011/0271856	A1	11/2011	Fisher et al.	WO	03090509	A2	11/2003
2011/0275930	A1*	11/2011	Jho et al. 600/424	WO	2004004800	A2	1/2004
2011/0276015	A1*	11/2011	Powers et al. 604/288.02	WO	2004028611	A1	4/2004
2011/0288502	A1*	11/2011	Hibdon et al. 604/288.01	WO	2004071555	A2	8/2004
2011/0288503	A1	11/2011	Magalich et al.	WO	2004091434	A2	10/2004
2011/0311337	A1	12/2011	Amin et al.	WO	2005037055	A2	4/2005
2012/0018073	A1	1/2012	Maniar et al.	WO	2005068009	A1	7/2005
2012/0059250	A1	3/2012	Gray et al.	WO	2006078915	A2	7/2006
2012/0078201	A1*	3/2012	Mikami 604/288.01	WO	2006096686	A1	9/2006
2012/0078202	A1	3/2012	Beling et al.	WO	2006116438	A2	11/2006
2012/0191071	A1	7/2012	Butts et al.	WO	2006130133	A1	12/2006
2012/0226244	A1	9/2012	Beasley et al.	WO	2006134100	A1	12/2006
2012/0259296	A1	10/2012	Sheetz et al.	WO	2007041471	A2	4/2007

FOREIGN PATENT DOCUMENTS

CA	2692142	A1	12/2008	WO	2007092210	A1	8/2007
CA	2693972	A1	1/2009	WO	2007094898	A2	8/2007
CN	102421469	A	4/2012	WO	2007098771	A2	9/2007
DE	3618390	C1	11/1987	WO	2007109164	A2	9/2007
DE	3720414	A1	12/1987	WO	2007126645	A2	11/2007
DE	42 25 524	A1	2/1994	WO	2007136538	A2	11/2007
DE	29512578	U1	10/1995	WO	2008008126	A2	1/2008
DE	10346470	A1	5/2005	WO	2008019236	A1	2/2008
EP	0128525	A2	12/1984	WO	2008048361	A1	4/2008
EP	0134745	A1	3/1985	WO	2008062173	A1	5/2008
EP	0343910	A2	11/1989	WO	2008063226	A2	5/2008
EP	0366814	A1	5/1990	WO	2008147760	A1	12/2008
EP	0619101	A1	10/1994	WO	2008157763	A1	12/2008
EP	1238682	A2	9/2002	WO	2009002839	A1	12/2008
EP	1635899	A2	3/2006	WO	2009012385	A1	1/2009
EP	2006019101	A2	12/2006	WO	2009012395	A1	1/2009
EP	1896117	A2	3/2008	WO	2009035582	A1	3/2009
EP	1998842	A2	12/2008	WO	2009046439	A2	4/2009
EP	2004272	A2	12/2008	WO	2009046725	A1	4/2009
EP	2018209	A2	1/2009	WO	2009108669	A1	9/2009
EP	2081634	A1	7/2009	WO	2010030351	A1	3/2010
EP	2164559	A1	3/2010	WO	2010062633	A1	6/2010
EP	2167182	A1	3/2010	WO	2011046604	A2	4/2011
EP	2180915	A1	5/2010	WO	2011053499	A1	5/2011
EP	2190517	A1	6/2010	WO	2011056619	A1	5/2011
EP	2308547	A2	4/2011	WO	2011133950	A1	10/2011
EP	2320974	A1	5/2011				
EP	2324878	A2	5/2011				
EP	2324879	A2	5/2011				

OTHER PUBLICATIONS

AngioDynamics, Smart Port Guidelines for Health Care Providers, 1996.

- B. Braun, Easypump Product Page, accessed May 11, 2011.
- B. Braun, Port Catheter Systems Product Page, accessed May 11, 2011.
- Bard Access Systems Mar. 21, 1995 Product Release to Market form for “M.R.I. Port with 8 Fr. ChronoFlex[®] Catheter”, “M.R.I. Port with 8Fr. ChronoFlex Catheter with Intro-Eze[™]”, “M.R.I. Port with 8 Fr ChronoFlex Catheter and Peel Apart”, “M.R.I. Port with 8Fr. ChronoFlex Catheter Demo Kit”. Drawings included.
- Bard Healthcare Leaflet (2001).
- Baxter Guidelines on Port Maintenance (Jun. 2003).
- Baxter Healthport[®] Focus (Oct. 1999).
- Baxter Healthport[®] Venous Systems (Oct. 2002).
- Baxter Patient Information, Healthport[®] System (May 1999).
- Baxter Therapy Systems, Baxter Healthport[®] Jan. 1999.
- Biffi, R. et al. “Use of totally implantable central venous access ports for high-dose chemotherapy and peripheral blood stem cell transplantation: results of a monocentre series of 376 patients.” *Annals of Oncology* 15:296-300, 2004.
- Biffi, R., et al. “Best Choice of Central Venous Insertion Site for the Prevention of Catheter-Related Complications in Adult Patients Who Need Cancer Therapy: A Randomized Trial.” *Annals of Oncology*, Jan. 29, 2009.
- Biffi, Roberto, et al. “A Randomized, Prospective Trial of Central Venous Ports Connected to Standard Open-Ended or Groshong Catheters in Adult Oncology Patients.” *American Cancer Society*, vol. 92, No. 5, pp. 1204-1212, Sep. 1, 2001.
- BioEnterics Corporation, Lap-Band[®] “Adjustable Gastric Banding System” Product Brochure.
- Braun Product Catalog (Aug. 2005).
- Cardiovascular and Interventional Radiology, Review Article, “Central Venous Access Catheters: Radiological Management of Complications,” by U.K. Teichgraber, B. Gebauer, T. Benter, H.J. Wagner, published online Jul. 31, 2003.
- Carlson et al., “Safety Considerations in the Power Injection of Contrast Media Via Central Venous Catheters during Computed Tomographic Examinations,” *Investigative Radiology*, (May 1992) 27: 337-340.
- Clinical Plastic Products, “Oncology Jet Port Plus Catheter Systems” Instructions for Use, 2011.
- Cook Vital-Port[®] Product Catalog (2000).
- Costa, Nancy, “More Than Skin Deep: An Overview of Iodinated Contrast Media.” *Journal for the Association for Vascular Access*, vol. 8, No. 4, 2003.
- Costa, Nancy, “Understanding Contrast Media.” *Journal of Infusion Nursing*, vol. 27, No. 5, Sep./Oct. 2004.
- Coyle, Douglas et al, Power Injection of Contrast Media via Peripherally Inserted Central Catheters for CT, *J Vasc Interv Radiol*, pp. 809-814, vol. 15, 2004.
- Deltec Port Systems (Feb. and Apr. 1996).
- Department of Health and Human Services, C-Port 510(k) FDA Clearance, Jun. 5, 2003.
- EP 06751411 filed Apr. 25, 2006 Office Action dated Aug. 10, 2009.
- EP 06751411 filed Apr. 25, 2006 Office Action dated Sep. 2, 2008.
- EP 06751411 filed Apr. 25, 2006 Opposition by Aesculap AG dated Oct. 5, 2011.
- EP 06751411 filed Apr. 25, 2006 Opposition by Fresenius Kabi Deutschland GmbH dated Oct. 11, 2011.
- EP 06751411 filed Apr. 25, 2006 Opposition by pfm medical ag dated Oct. 12, 2011.
- EP 06845998 filed Dec. 21, 2006 Office Action dated Mar. 10, 2011.
- EP 06845998 filed Dec. 21, 2006 Supplementary Search Report dated Jul. 22, 2010.
- EP 99964086 filed Dec. 3, 1999 Office Action dated Dec. 15, 2005.
- EP 99964086 filed Dec. 3, 1999 Office Action dated Mar. 1, 2005.
- EP 99964086 filed Dec. 3, 1999 Office Action dated Mar. 30, 2005.
- Extravasation of Radiologic Contrast, PA-PSRS Patient Safety Advisory, vol. 1 No. 3, Sep. 2004.
- Extreme Access[™] Bard Access Systems, Inc. Product Brochure, 2003.
- Fallscheer, et al., “Injury to the Upper Extremity Caused by Extravasation of Contrast Medium: A True Emergency.” *Scandinavian Journal of Plastic and Reconstructive Surgery and Hand Surgery*, vol. 41, pp. 26-32, 2007.
- Fresenius Brochure on Intraport 1, Intraport II, and Bioport (Nov. 1998).
- Gebauer, B. et al., “Contrast Media Power Injection Using Central Venous Port Catheters—Results of an In-Vitro Study,” *Experimental Radiology* 2005: 177: 1417-1423.
- Hou, Shaw-Min et al. “Comparisons of Outcomes and Survivals for Two Central Venous Access Port Systems.” *Journal of Surgical Oncology*, 91:61-66, 2005.
- Inamed Health, BioEnterics[®] Lap-Band[®] “Adjustable Gastric Banding System” Product Brochure, Dec. 2003.
- Johnson, Kathleen A., “Power Injectable Portal Systems.” *Journal of Radiology Nursing*, vol. 28, Issue 1, Mar. 2009.
- JP 2007-558331 filed Mar. 6, 2006 Office Action dated May 17, 2011.
- JP 2008-509056 filed Apr. 25, 2006 Office Action dated Apr. 4, 2012.
- JP 2008-509056 filed Apr. 25, 2006 Office Action dated Jun. 7, 2011.
- Kaste et al., “Safe use of power injectors with central and peripheral venous access devices for pediatric CT,” *Pediatr Radio* (1996) 26: 499-501.
- L-Cath[®] for Ports, Luther Medical Products, Inc., Tustin, California, 2 pages, 1994.
- LaMaitre Vascular “Port Implantations: using the OptiLock Implantable Port,” product information, available at [http:// www.lamaitre.com/specs.pop.asp](http://www.lamaitre.com/specs.pop.asp), last accessed Apr. 2003, 14 pages.
- Lap-Band AP[™] “System with Adjustable Gastric Banding system with Omniform TN Design,” Product Brochure, Jul. 2007, 16 pages.
- U.S. Appl. No. 11/380,124, filed Apr. 25, 2006 Non-Final Office Action dated Jan. 16, 2009.
- U.S. Appl. No. 11/380,124, filed Apr. 25, 2006 Non-Final Office Action dated Oct. 28, 2010.
- U.S. Appl. No. 11/380,621, filed Apr. 27, 2006 Final Office Action dated Jan. 14, 2010.
- U.S. Appl. No. 11/380,621, filed Apr. 27, 2006 Final Office Action dated Jan. 23, 2009.
- U.S. Appl. No. 11/380,621, filed Apr. 27, 2006 Final Office Action dated Mar. 8, 2011.
- U.S. Appl. No. 11/380,621, filed Apr. 27, 2006 Non-Final Office Action dated Jul. 1, 2009.
- U.S. Appl. No. 11/380,621, filed Apr. 27, 2006 Non-Final Office Action dated Jun. 6, 2008.
- U.S. Appl. No. 11/725,287, filed Mar. 19, 2007 Non-final Office Action issued on Dec. 3, 2008.
- U.S. Appl. No. 11/725,287, filed Mar. 19, 2007 Non-final Office Action issued on Jun. 12, 2009.
- U.S. Appl. No. 11/725,287, filed Mar. 19, 2007 Non-final Office Action issued on Mar. 29, 2010.
- U.S. Appl. No. 11/937,302, filed Nov. 8, 2007 Final Office Action dated Oct. 13, 2011.
- U.S. Appl. No. 11/937,302, filed Nov. 8, 2007 Non-Final Office Action dated Jun. 18, 2012.
- U.S. Appl. No. 11/937,302, filed Nov. 8, 2007 Final Office Action dated Feb. 11, 2011.
- U.S. Appl. No. 11/937,302, filed Nov. 8, 2007 Non-Final Office Action dated Apr. 15, 2011.
- U.S. Appl. No. 11/937,302, filed Nov. 8, 2007 Non-Final Office Action dated Sep. 13, 2010.
- U.S. Appl. No. 12/023,280, filed Jan. 31, 2008 Final Office Action dated Mar. 9, 2010.
- U.S. Appl. No. 12/023,280, filed Jan. 31, 2008 Non-Final Office Action dated Dec. 13, 2010.
- U.S. Appl. No. 12/023,280, filed Jan. 31, 2008 Non-Final Office Action dated Jul. 23, 2009.
- U.S. Appl. No. 12/023,280, filed Jan. 31, 2008 Non-Final Office Action dated Oct. 5, 2009.
- U.S. Appl. No. 12/023,280, filed Jan. 31, 2008 Notice of Allowance dated Mar. 28, 2011.
- U.S. Appl. No. 12/143,377, filed Jun. 20, 2008 Final Office Action mailed Oct. 19, 2009.
- U.S. Appl. No. 12/143,377, filed Jun. 20, 2008 Non-final Office Action mailed Apr. 27, 2009.
- U.S. Appl. No. 12/175,182, filed Jul. 17, 2008 Non-final Office Action mailed Sep. 3, 2009.
- U.S. Appl. No. 12/267,160, filed Nov. 7, 2008 Final Office Action dated Jun. 1, 2012.

- U.S. Appl. No. 12/267,160, filed Nov. 7, 2008 Non-Final Office Action dated Nov. 1, 2011.
- U.S. Appl. No. 12/419,854, filed Apr. 7, 2009 Final Office Action dated Nov. 29, 2011.
- U.S. Appl. No. 12/419,854, filed Apr. 7, 2009 Non-Final Office Action dated Aug. 5, 2011.
- U.S. Appl. No. 12/419,854, filed Apr. 7, 2009 Non-Final Office Action dated Jun. 26, 2012.
- U.S. Appl. No. 12/419,957, filed Apr. 7, 2009 Advisory Action dated Feb. 18, 2011.
- U.S. Appl. No. 12/419,957, filed Apr. 7, 2009 Final Office Action dated Dec. 7, 2010.
- U.S. Appl. No. 12/419,957, filed Apr. 7, 2009 Non-Final Office Action dated Feb. 18, 2010.
- U.S. Appl. No. 12/419,957, filed Apr. 7, 2009 Non-Final Office Action dated Jul. 29, 2010.
- U.S. Appl. No. 12/419,957, filed Apr. 7, 2009 Non-Final Office Action dated Jun. 30, 2009.
- U.S. Appl. No. 12/419,957, filed Apr. 7, 2009 Notice of Allowance dated Mar. 7, 2011.
- U.S. Appl. No. 12/420,007, filed Apr. 7, 2009 Final Office Action dated Feb. 18, 2010.
- U.S. Appl. No. 12/420,007, filed Apr. 7, 2009 Non-Final Office Action dated Jul. 14, 2009.
- U.S. Appl. No. 12/420,028, filed Apr. 7, 2009 Non-Final Office Action dated Jan. 5, 2011.
- U.S. Appl. No. 12/420,028, filed Apr. 7, 2009 Notice of Allowance dated Apr. 1, 2011.
- U.S. Appl. No. 12/617,981, filed Nov. 13, 2009 Advisory Action dated Sep. 15, 2011.
- U.S. Appl. No. 12/617,981, filed Nov. 13, 2009 Final Office Action dated Jun. 21, 2011.
- U.S. Appl. No. 12/617,981, filed Nov. 13, 2009 Non-Final Office Action dated Dec. 21, 2011.
- U.S. Appl. No. 12/617,981, filed Nov. 13, 2009 Non-Final Office Action dated Jan. 5, 2011.
- U.S. Appl. No. 12/796,133, filed Jun. 8, 2010 Non-Final Office Action dated Feb. 17, 2011.
- U.S. Appl. No. 12/796,133, filed Jun. 8, 2010 Notice of Allowance dated Jun. 9, 2011.
- U.S. Appl. No. 13/113,834, filed May 23, 2011 Non-Final Office Action dated Jul. 17, 2012.
- U.S. Appl. No. 13/159,230, filed Jun. 13, 2011 Notice of Allowance dated Aug. 1, 2012.
- U.S. Appl. No. 13/250,909, filed Sep. 30, 2011 Notice of Allowance dated Aug. 6, 2012.
- U.S. Appl. No. 29/239,163, filed Sep. 27, 2005 entitled *Injectable Power Port*, listing Eddie K. Burnside as inventor.
- Lap-Band® System Access Port Fill Guide I, “9.75/10.0 cm Lap-Band System vs. 11 cm Lap-Band System: For Product Manufactured Prior to Jul. 2001” BioEnterics Corporation.
- Leslie et al., “A New Simple Power Injector,” *Am J Roentgenol* 128: 381-384, Mar. 1977.
- MedComp “PortCT Technology”, display at SIR Conference (Mar. 2006), Toronto, Canada.
- Navilyst Medical, *Implantable Ports with PASV® Valve Technology, Product Overview*, <<<http://www.navilystmedical.com/Products/index.cfm/9>>> last accessed Jun. 4, 2012.
- Nucleus Cochlear Implant Systems; User Manual for the ESPrit 3G speech processor and accessories, Issue 2, Dec. 2001 <http://www.cochlearamericas.com/PDFs/UserManualSprint.pdf>.
- Oct. 22, 2009 Declaration of Kelly Christian, Director of Product Development at Bard Access Systems, Inc, in support of and depicting a product on the market by Quinton Company approximately ten years prior to Oct. 22, 2009, 1 page.
- PCT/US1999/028695 filed Dec. 3, 1999 International Preliminary Examination Report dated Apr. 21, 2001.
- PCT/US1999/028695 filed Dec. 3, 1999 Search Report dated Apr. 11, 2000.
- PCT/US2006/008022 filed Mar. 6, 2006 International Preliminary Report on Patentability dated Sep. 12, 2007.
- PCT/US2006/008022 filed Mar. 6, 2006 Search Report dated Jul. 5, 2006.
- PCT/US2006/008022 filed Mar. 6, 2006 Written Opinion dated Apr. 9, 2007.
- PCT/US2006/015695 filed Apr. 25, 2006 Partial Search Report dated Sep. 29, 2006.
- PCT/US2006/015695 filed Apr. 25, 2006 Search Report dated Jan. 11, 2007.
- PCT/US2006/015695 filed Apr. 25, 2006 Written Opinion dated Jan. 11, 2007.
- PCT/US2006/016056 filed Apr. 27, 2006 International Preliminary Report on Patentability dated Oct. 30, 2007.
- PCT/US2006/016056 filed Apr. 27, 2006 Search Report dated Sep. 20, 2006.
- PCT/US2006/016056 filed Apr. 27, 2006 Written Opinion dated Oct. 27, 2007.
- PCT/US2006/049007 filed Dec. 21, 2006 International Preliminary Report on Patentability dated Jul. 1, 2008.
- PCT/US2006/049007 filed Dec. 21, 2006 Search Report dated Oct. 1, 2007.
- PCT/US2006/049007 filed Dec. 21, 2006 Written Opinion dated Oct. 1, 2007.
- PCT/US2007/006776 filed Mar. 19, 2007 International Preliminary Report on Patentability dated Jan. 2, 2009.
- PCT/US2007/006776 filed Mar. 19, 2007 Search Report, dated Dec. 18, 2007.
- PCT/US2007/006776 filed Mar. 19, 2007 Written opinion, dated Dec. 18, 2007.
- PCT/US2007/011015 dated May 7, 2007 Written Opinion dated Jun. 10, 2008.
- PCT/US2007/011015 filed May 7, 2007 International Preliminary Report on Patentability dated Oct. 29, 2008.
- PCT/US2007/011015 filed May 7, 2007 Search Report dated Jun. 10, 2008.
- PCT/US2007/011456 filed May 11, 2007 Search Report dated Aug. 28, 2008.
- PCT/US2007/011456 filed May 11, 2007 Written Opinion dated Aug. 28, 2008.
- PCT/US2008/010520 dated Sep. 8, 2008 Search Report dated Feb. 24, 2009.
- PCT/US2008/010520 filed Sep. 8, 2008 Written Opinion dated Feb. 24, 2009.
- PCT/US2008/067679 filed Jun. 20, 2008 Search Report dated Sep. 30, 2008.
- PCT/US2008/067679 filed Jun. 20, 2008 Written Opinion mailed on Sep. 30, 2008.
- PCT/US2008/070330 filed Jul. 17, 2008 Search Report dated Dec. 1, 2008.
- PCT/US2008/070330 filed Jul. 17, 2008 Written Opinion dated Dec. 1, 2008.
- PCT/US2008/070345 filed Jul. 17, 2008 Search Report mailed on Dec. 1, 2008.
- PCT/US2008/070345 filed Jul. 17, 2008 Written Opinion dated Dec. 1, 2008.
- PCT/US2008/078976 filed Apr. 2, 2009 Search Report and Written Opinion dated Apr. 3, 2009.
- PCT/US2009/035088 filed Feb. 25, 2009 International Search Report dated May 19, 2009.
- PCT/US2009/035088 filed Feb. 25, 2009 Written Opinion dated May 19, 2009.
- PCT/US2009/062854 filed Oct. 30, 2009 International Preliminary Report on Patentability dated May 5, 2011.
- PCT/US2009/062854 filed Oct. 30, 2009 International Search Report dated Dec. 10, 2009.
- PCT/US2009/062854 filed Oct. 30, 2009 Written Opinion dated Dec. 10, 2009.
- PCT/US2010/030256 filed Apr. 7, 2010 Search Report dated Jun. 4, 2010.
- PCT/US2010/030256 filed Apr. 7, 2010 Written Opinion dated Jun. 4, 2010.
- PCT/US2010/054994 filed Nov. 1, 2010 Search Report dated Jan. 10, 2011.
- PCT/US2010/054994 filed Nov. 1, 2010 Written Opinion dated Jan. 10, 2011.

- Port-A-Cath® P.A.S. Port® Systems by Deltec, Product Specifications, 1999.
- Port-A-Cath® “Implantable Epidural, Aterial and Peritoneal Access Systems” Internet Product Listing. <<<http://web.archive.org/web/20001119035900/www.deltec.com/cPacspl.htm>>> last accessed Jun. 4, 2012.
- Port-A-Cath® “Many Port-A-Cath® System Choices” Product Brochure. © 1996 SIMS Deltec, Inc.
- Port-A-Cath® & Port-A-Cath® II Dual-lumen Implantable Venous Access Systems Product Specifications, 2005.
- U.S. Appl. No. 29/247,954, filed Jul. 21, 2006 entitled Injectable Power Port, listing Eddie K. Burnside as inventor.
- U.S. Appl. No. 29/247,954, filed Jul. 21, 2006 Non-Final Office Action dated Apr. 6, 2007.
- U.S. Appl. No. 29/247,954, filed Jul. 21, 2006 Notice of Allowability dated Jul. 30, 2007.
- U.S. Appl. No. 29/284,454, filed Sep. 7, 2007 titled Implantable Port Device, listing John A. Zawacki and Annmarie Boswell as inventors, in which a Continued Prosecution Application was filed on Jan. 30, 2008.
- U.S. Appl. No. 29/284,456, filed Sep. 7, 2007, titled Implantable Port Device, listing John A. Zawacki and Annmarie Boswell as inventors.
- Vergara, et al., “Adverse Reactions to Contrast Medica in CT: Effects of Temperature and Ionic Property.” *Radiology*, vol. 199, No. 2, May 1996.
- Vogelzang, Robert L., “Power Injection Through Central Venous Catheters: Physiological and Hemodynamic Considerations.” *The McGaw Medical Center of Northwestern University, Feinberg School of Medicine*. Jun. 23, 2004.
- Wells, S. “Venous Access in Oncology and Haematology Patients: Part One.” *Nursing Standard*, vol. 22, No. 52, pp. 39-46, Sep. 3, 2008.
- Wikipedia, “Port Catheter”, Dec. 15, 2011.
- Williamson, et al., “Assessing the Adequacy of Peripherally Inserted Central Catheters for Power Injection of Intravenous Contrast Agents for CT.” *Journal of Computer Assisted Tomography*, vol. 6, No. 6, pp. 932-937, 2001.
- Port-A-Cath® and P.A.S. Port® Power P.A.C. Information Sheet, 2006.
- Rappolt, Richard T., et al. “Radiopaque Codification and X-ray Identification of Ingested Drugs.” *Ingestive Radiology*, May-Jun. 1966.
- Salis et al., “Maximal flow rates possible during power injection through currently available PICCs: An in-vitro study,” *J Vase Interv Radiol* 2004; 15:275-281.
- Sandstede, Joern, “Pediatric CT,” available online at www.multislice-ct.com, MultiSLICE-CT.com, version 02, May 2, 2003.
- Sanelli, et al., “Safety and Feasibility of Using a Central Venous Catheter for Rapid Contrast Injection Rates.” *American Journal of Radiology*, vol. 183, pp. 1829-1834, Dec. 2004.
- Shah, Tilak M., “Radiopaque Polymer Formulations for Medical Devices.” *Medical Device and Diagnostic Industry*, Mar. 2000.
- Smith Medical, Port-A-Cath® “Single-lumen Implantable Vascular Access Systems” Product Specifications, 2004.
- Smith, Lisa Hartkoph, “Implanted Ports, Computed Tomography, Power Injectors, and Catheter Rupture.” *Clinical Journal of Oncology Nursing*, vol. 12, No. 5. Oct. 2008.
- Smiths Medical, “Smiths Medical Launches Implantable Ports for Easy Viewing Under CT Scans” Press Release, Jan 5, 2011.
- Soloman, et al., “CIN Strategies: Anticipate, Manage, Prevent.” *Supplement to Imaging Economics*, May 2007.
- Statement of Prof. Dr. med. Karl R. Aigner, Oct. 11, 2011.
- Steinbach, Barbara G., Hardt, N. Sisson, Abbitt, Patricia L., Lanier, Linda, Caffee, H. Hollis, “Breast Implants, Common Complications, and Concurrent Breast Disease.” *RadioGraphics*, vol. 13, No. 1, pp. 95-118, 1993.
- Sullivan et al. “Radiopaque Markers on Mammary Implants.” *American Journal of Roentgenology* 153(2):428, Aug. 1989.
- U.S. Food and Drug Administration, “Guidance for Institutional Review Boards and Clinical Investigators 1998 Update: Medical Devices.” Version Sep. 10, 2008.
- U.S. Appl. No. 60/658,518, filed Mar. 4, 2005, publicly accessible Oct. 5, 2006.
- Urquiola, Javier, et al., “Using Lead Foil as a Radiopaque Marker for Computerized Tomography Imaging When Implant Treatment Planning.” *The Journal of Prosthetic Dentistry*, 1997.
- U.S. Appl. No. 10/374,000, filed Feb. 25, 2003 Office Action dated Aug. 28, 2007.
- U.S. Appl. No. 10/374,000, filed Feb. 25, 2003 Advisory Action dated Jan. 23, 2007.
- U.S. Appl. No. 10/374,000, filed Feb. 25, 2003 Non-Final Office Action dated Feb. 13, 2006.
- U.S. Appl. No. 10/374,000, filed Feb. 25, 2003 Non-Final Office Action dated May 20, 2009.
- U.S. Appl. No. 10/374,000, filed Feb. 25, 2003 Non-final Office Action mailed Mar. 20, 2008.
- U.S. Appl. No. 10/374,000, filed Feb. 25, 2003 Office Action dated Feb. 28, 2007.
- U.S. Appl. No. 10/374,000, filed Feb. 25, 2003 Office Action dated Jul. 28, 2006.
- U.S. Appl. No. 10/374,000, filed Feb. 25, 2003 Office Action mailed Sep. 30, 2008.
- U.S. Appl. No. 10/374,000, filed Feb. 25, 2003 Response to Non-Final Office Action dated May 12, 2006.
- U.S. Appl. No. 10/374,000, filed Feb. 25, 2003 Response to Office Action dated Dec. 28, 2006.
- U.S. Appl. No. 10/374,000, filed Feb. 25, 2003 Response to Office Action dated Jun. 20, 2008.
- U.S. Appl. No. 10/374,000, filed Feb. 25, 2003 Response to Office Action dated Mar. 30, 2009.
- U.S. Appl. No. 10/374,000, filed Feb. 25, 2003 Response to Office Action dated May 28, 2007.
- U.S. Appl. No. 10/374,000, filed Feb. 25, 2003 Response to Office Action dated Nov. 28, 2006.
- U.S. Appl. No. 10/374,000, filed Feb. 25, 2003 Response to Office Action dated Oct. 31, 2007.
- U.S. Appl. No. 10/374,000, filed Feb. 25, 2003 Response to Office Action dated Sep. 21, 2009.
- U.S. Appl. No. 11/320,223, filed Dec. 28, 2005 Advisory Action dated Dec. 1, 2011.
- U.S. Appl. No. 11/320,223, filed Dec. 28, 2005 Notice of Allowance dated Jan. 6, 2012.
- U.S. Appl. No. 11/320,223, filed Dec. 28, 2005 Final Office Action dated Aug. 3, 2011.
- U.S. Appl. No. 11/320,223, filed Dec. 28, 2005 Final Office Action dated Jun. 19, 2009.
- U.S. Appl. No. 11/320,223, filed Dec. 28, 2005 Final Office Action dated Jun. 22, 2010.
- U.S. Appl. No. 11/320,223, filed Dec. 28, 2005 Non-Final Office Action dated Feb. 13, 2008.
- U.S. Appl. No. 11/320,223, filed Dec. 28, 2005 Non-Final Office Action dated Jan. 21, 2010.
- U.S. Appl. No. 11/320,223, filed Dec. 28, 2005 Non-Final Office Action dated Mar. 16, 2011.
- U.S. Appl. No. 11/320,223, filed Dec. 28, 2005 Non-Final Office Action dated Sep. 18, 2008.
- U.S. Appl. No. 11/368,954, filed Mar. 6, 2006 Non-Final Office Action dated Jul. 21, 2009.
- U.S. Appl. No. 11/368,954, filed Mar. 6, 2006 Notice of Allowance dated Jun. 24, 2010.
- U.S. Appl. No. 11/368,954, filed Mar., 6, 2006 Final Office Action dated Jan. 27, 2010.
- U.S. Appl. No. 11/368,954, filed Mar. 6, 2006 Supplemental Non-final Office Action mailed Oct. 2, 2009.
- U.S. Appl. No. 11/380,124, filed Apr. 25, 2006 Final Office Action dated Aug. 13, 2010.
- U.S. Appl. No. 11/380,124, filed Apr. 25, 2006 Final Office Action dated Oct. 20, 2011.
- U.S. Appl. No. 11/380,124, filed Apr. 25, 2006 Final Office Action dated Sep. 21, 2009.
- U.S. Appl. No. 11/380,124, filed Apr. 25, 2006 Non-Final Office Action dated Apr. 26, 2010.
- U.S. Appl. No. 11/380,124, filed Apr. 25, 2006 Non-Final Office Action dated Apr. 7, 2011.
- EP 06751411 filed Apr. 25, 2006 Decision Revoking the European Patent dated Aug. 1, 2012.

US D676,955 S

Page 10

EP 10762377.9 filed Oct. 5, 2011 European Search Report dated Aug. 3, 2012.
Request for Inter partes Reexamination of U.S. Patent No. 7,785,302, filed Aug. 20, 2012.
Request for Inter partes Reexamination of U.S. Patent No. 7,947,022, filed Aug. 20, 2012.
Request for Inter partes Reexamination of U.S. Patent No. 7,959,615, filed Aug. 20, 2012.
U.S. Appl. No. 12/617,981, filed Nov. 13, 2009 Final Office Action dated Aug. 2, 2012.

U.S. Appl. No. 12/917,323, filed Nov. 1, 2010 Non-Final Office Action dated Aug. 15, 2012.
U.S. Appl. No. 13/438,586, filed Apr. 3, 2012 Non-Final Office Action dated Sep. 19, 2012.
U.S. Appl. No. 29/382,235, filed Dec. 30, 2010 Non-Final Office Action dated Oct. 3, 2012.

* cited by examiner

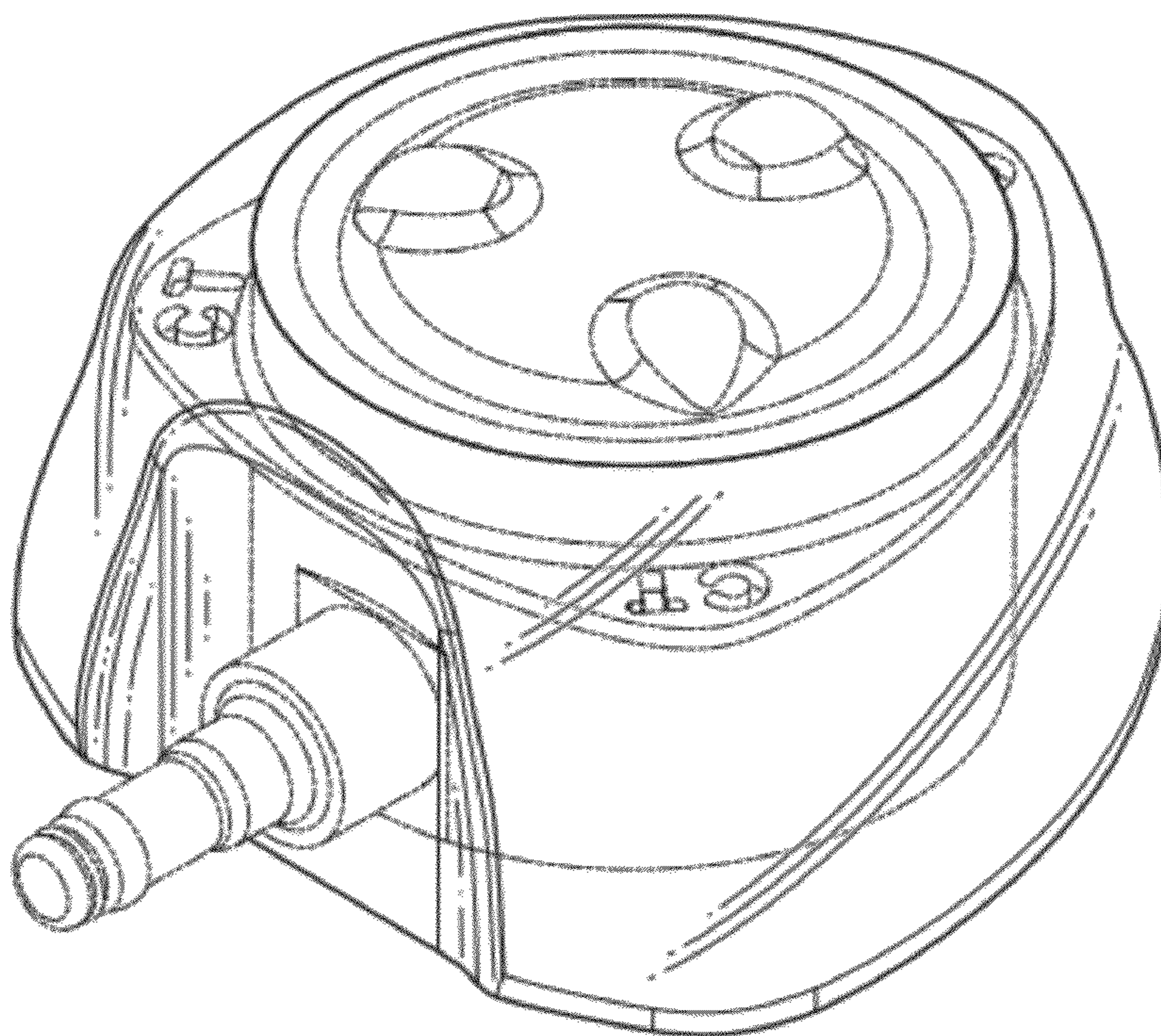


FIG. 1

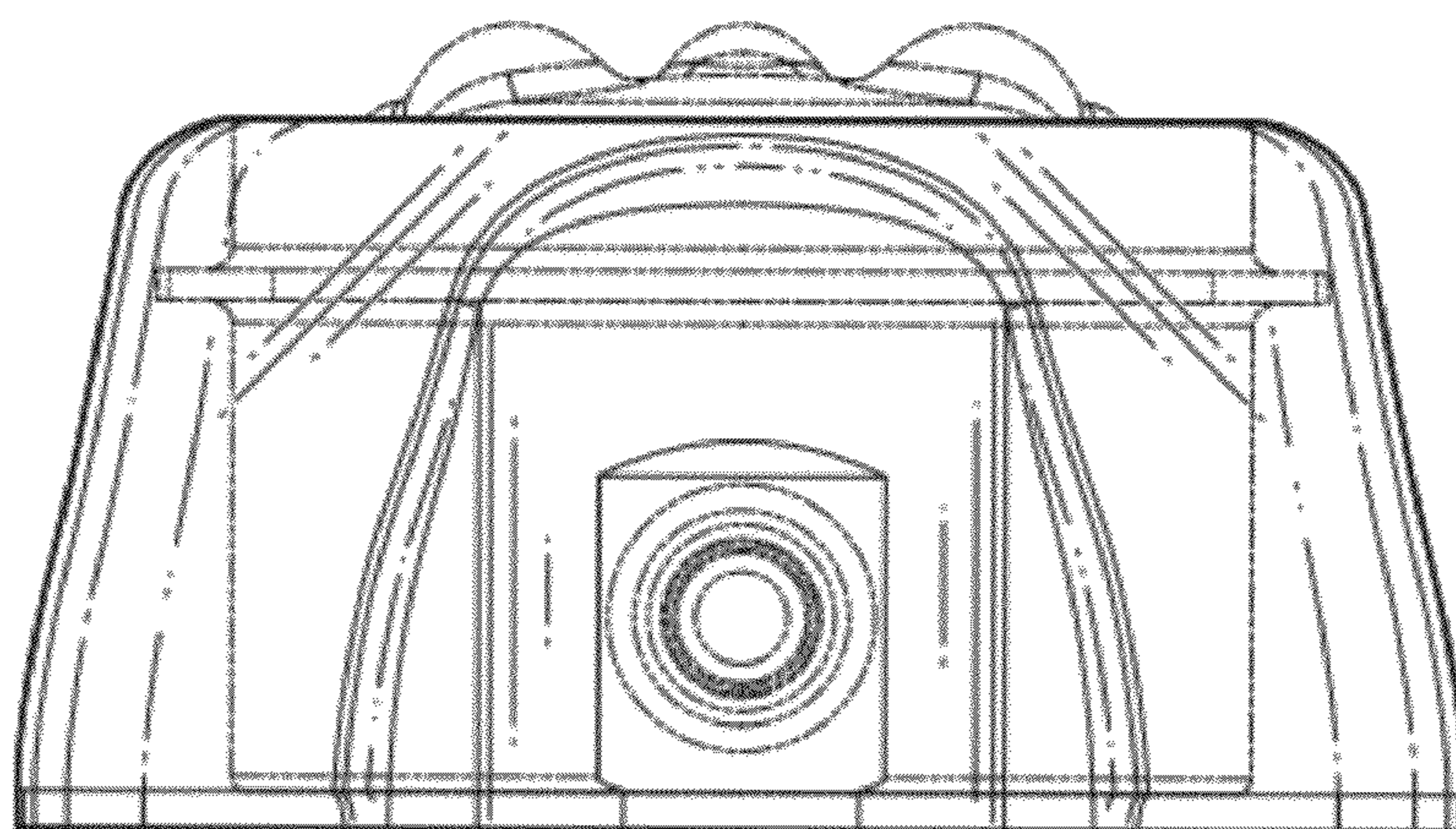


FIG. 2

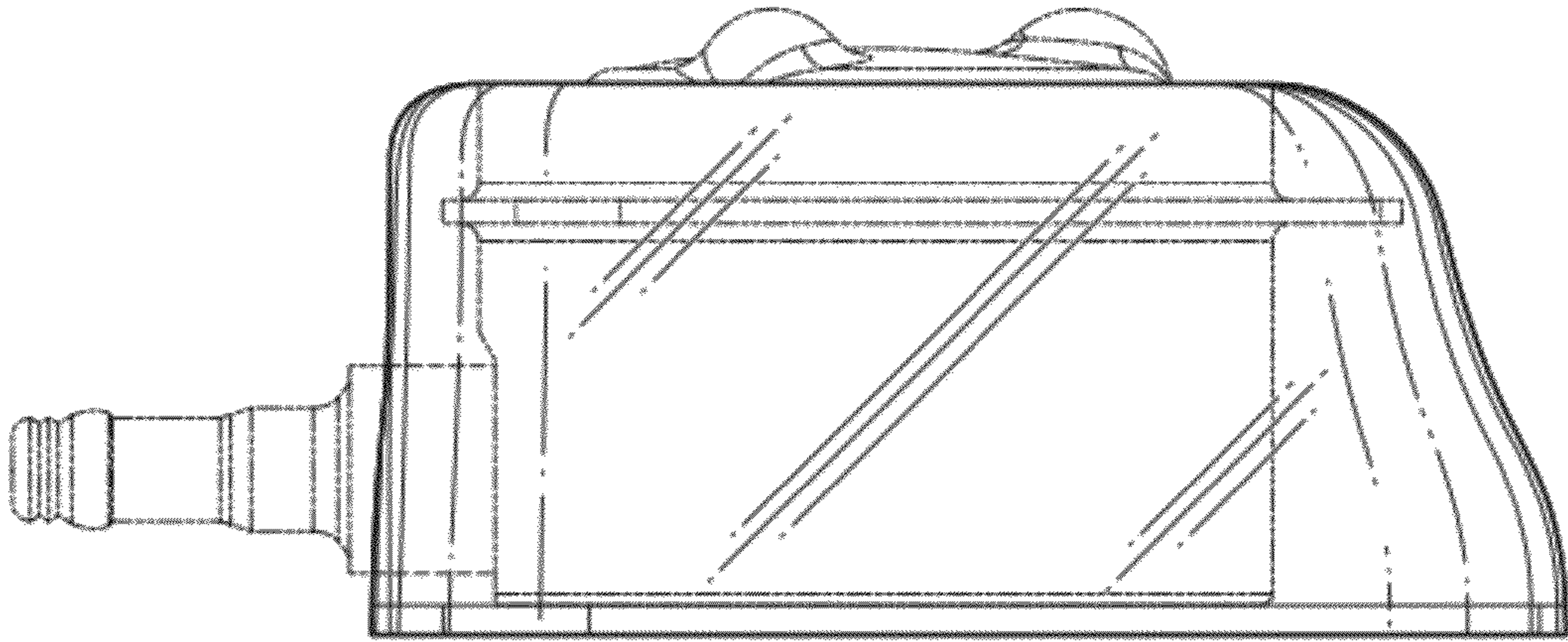


FIG. 3

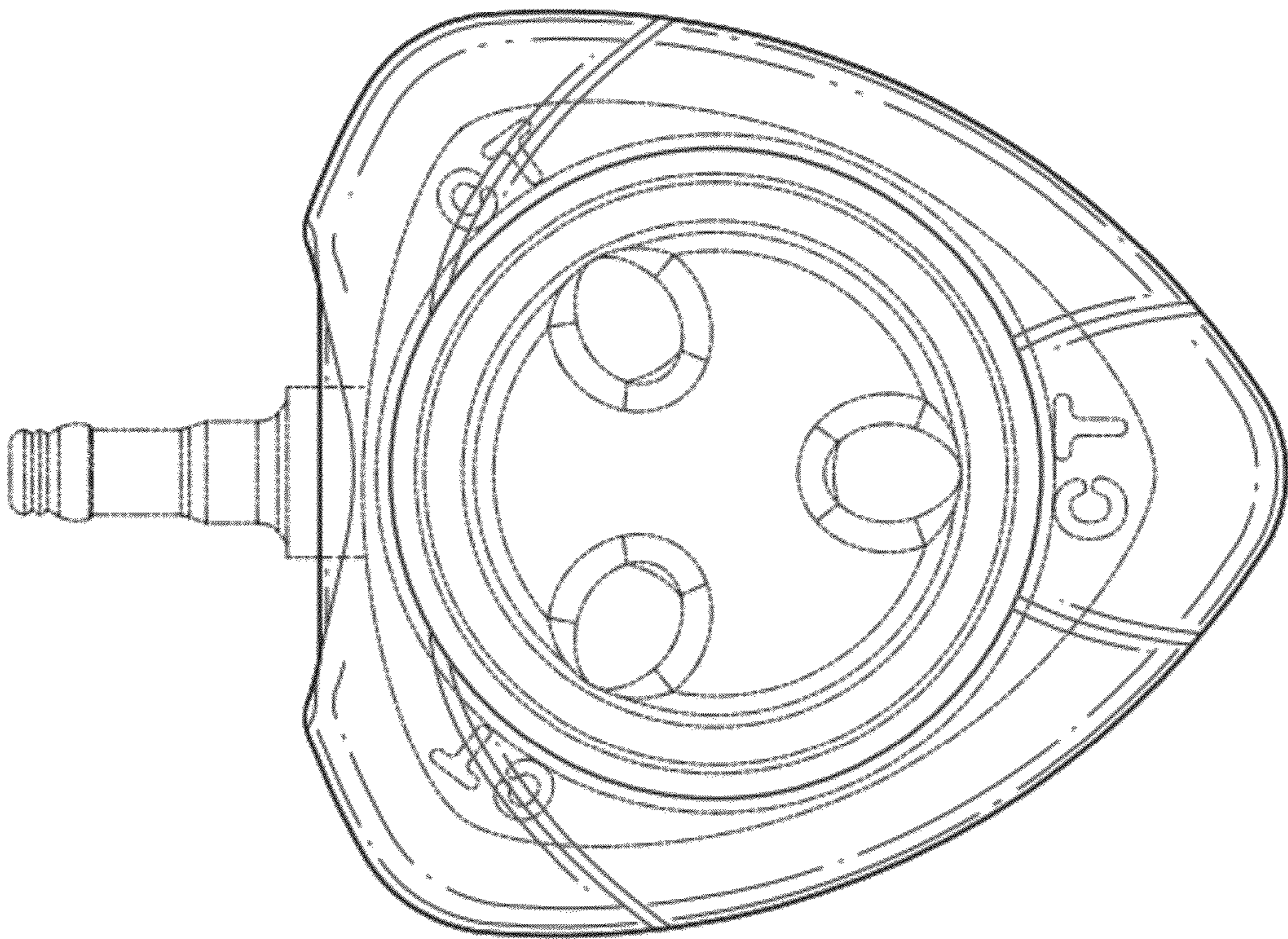


FIG. 4

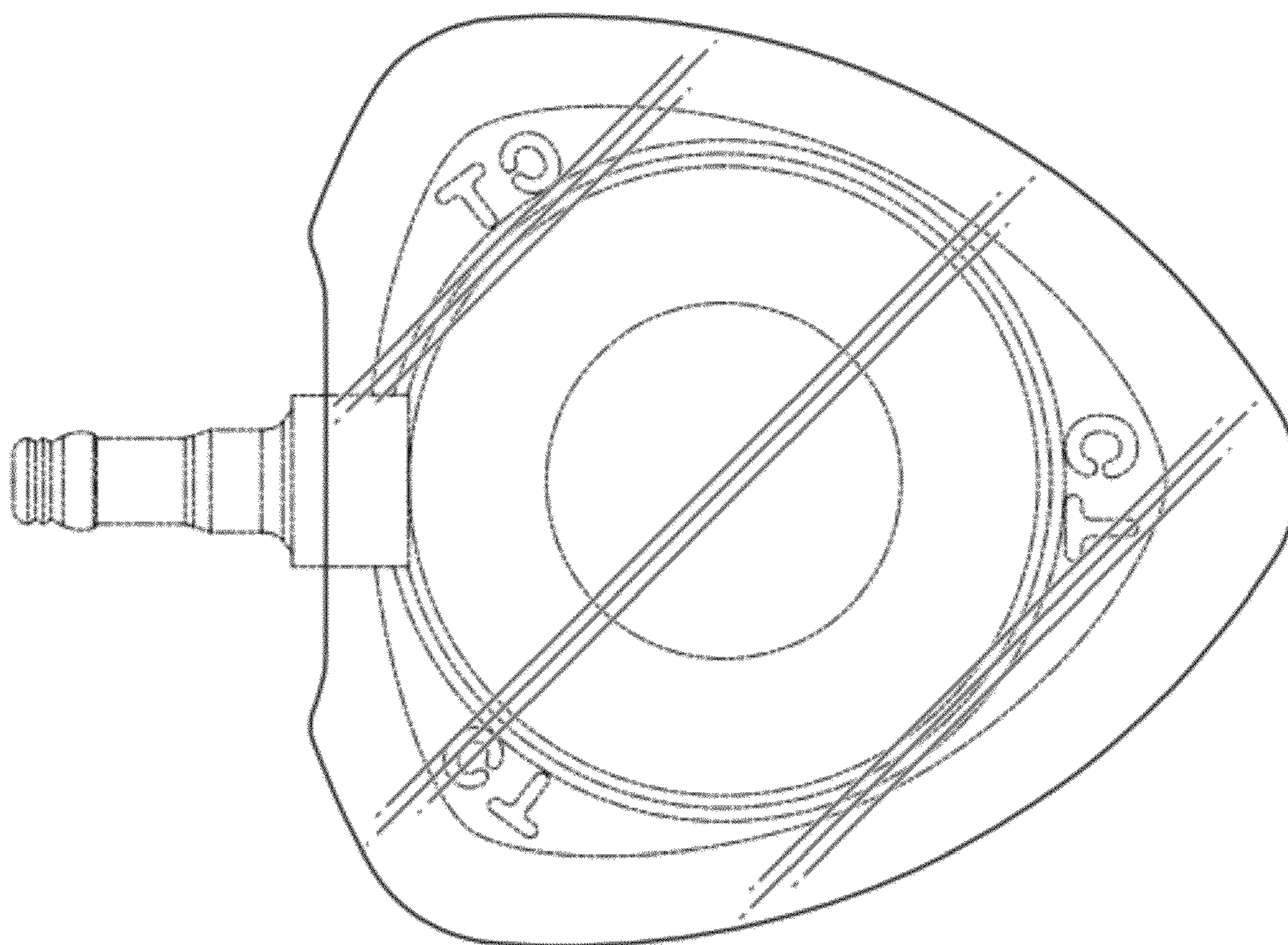


FIG. 5

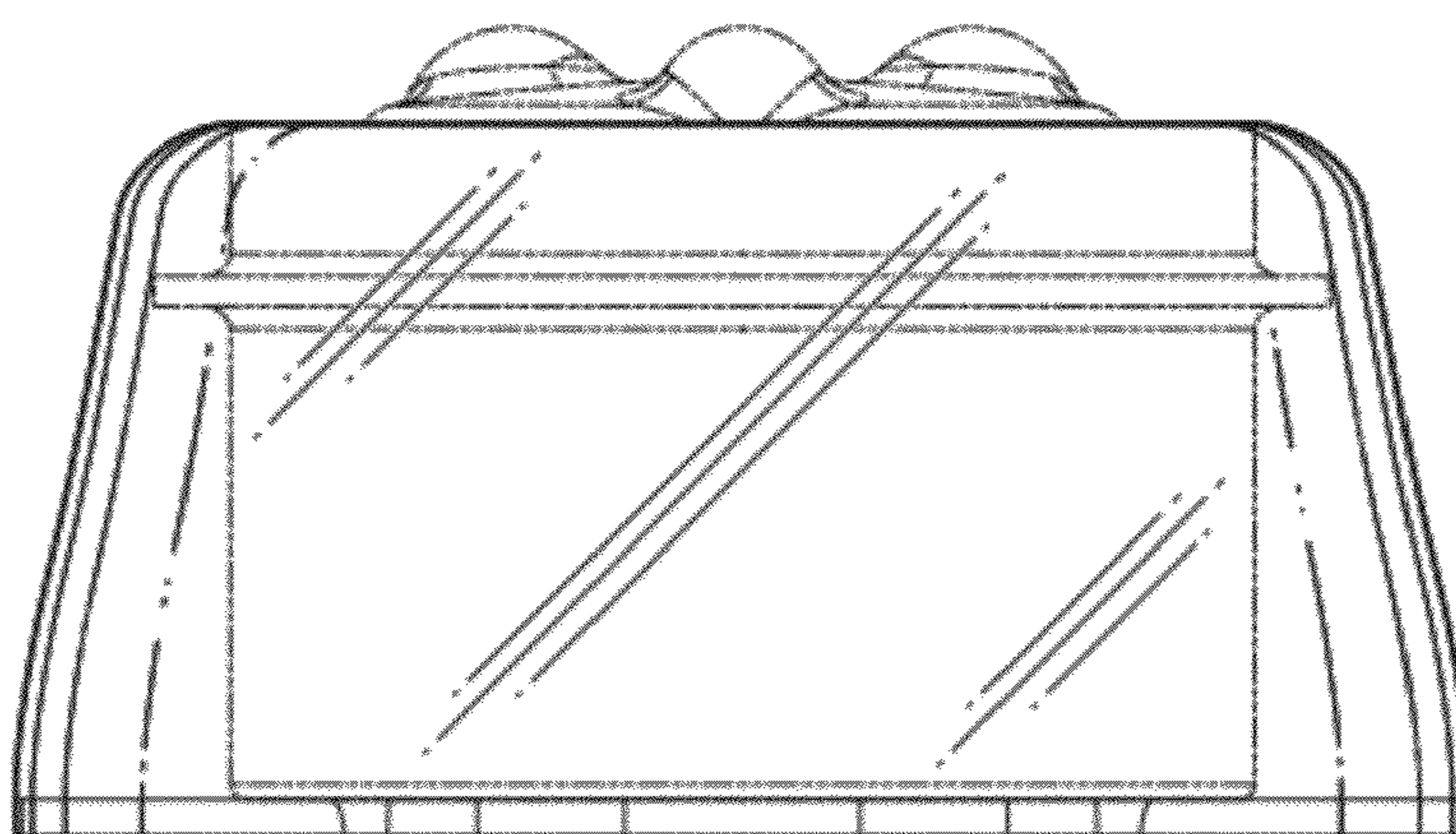


FIG. 6