



US00D676952S

(12) **United States Design Patent**  
**Hiner**

(10) **Patent No.:** **US D676,952 S**

(45) **Date of Patent:** **\*\* Feb. 26, 2013**

- (54) **FAN**
- (75) Inventor: **Nicholas A. Hiner**, Georgetown, IN (US)
- (73) Assignee: **Exhale Fans LLC**, Georgetown, IN (US)
- (\*\*) Term: **14 Years**
- (21) Appl. No.: **29/391,310**
- (22) Filed: **May 6, 2011**
- (51) **LOC (9) Cl.** ..... **23-04**
- (52) **U.S. Cl.** ..... **D23/377**
- (58) **Field of Classification Search** ..... D13/179;  
D23/370-394, 411-414; D26/51, 59, 72,  
D26/81-86; 34/169; 52/302.1, 302.7; 55/DIG. 36;  
123/41.7; 126/58, 60, 61, 64-66, 84, 299 D-299 F,  
126/299 R, 300, 301, 312, 531; 138/118,  
138/121, 172, 173, 177; 165/54, 59; 285/133.6;  
392/364; 415/126, 127, 213.1, 214.1; 416/5,  
416/204 R, 210 R, 234, 237, 244 R, 247 R;  
454/41, 42, 233, 236, 250-253, 275-277,  
454/284, 309, 367, 368  
See application file for complete search history.

D112,847 S *	1/1939	Roffy .....	D23/377
D149,133 S *	3/1948	Kisling .....	D23/377
D160,391 S *	10/1950	Hutcheson .....	D23/377
D161,887 S *	2/1951	Welch, Sr. ....	D23/377
D166,010 S *	2/1952	Hoodward .....	D23/414
D207,561 S *	5/1967	Bedell .....	D23/371
D477,398 S *	7/2003	Johnson .....	D23/411
D527,812 S *	9/2006	Brown .....	D23/390
D559,969 S *	1/2008	Hammock, Jr. ....	D23/388
D652,133 S *	1/2012	Hiner et al. ....	D23/377

\* cited by examiner

*Primary Examiner* — Garth Rademaker

(74) *Attorney, Agent, or Firm* — Scott Houtteman;  
Houtteman Law LLC

(57) **CLAIM**

The ornamental design for a fan, as shown and described.

**DESCRIPTION**

FIG. 1 is a perspective view of a fan showing the claimed invention;

FIG. 2 is a side view thereof;

FIG. 3 is a front view thereof;

FIG. 4 is a bottom plan view thereof; and,

FIG. 5 is a top plan view thereof.

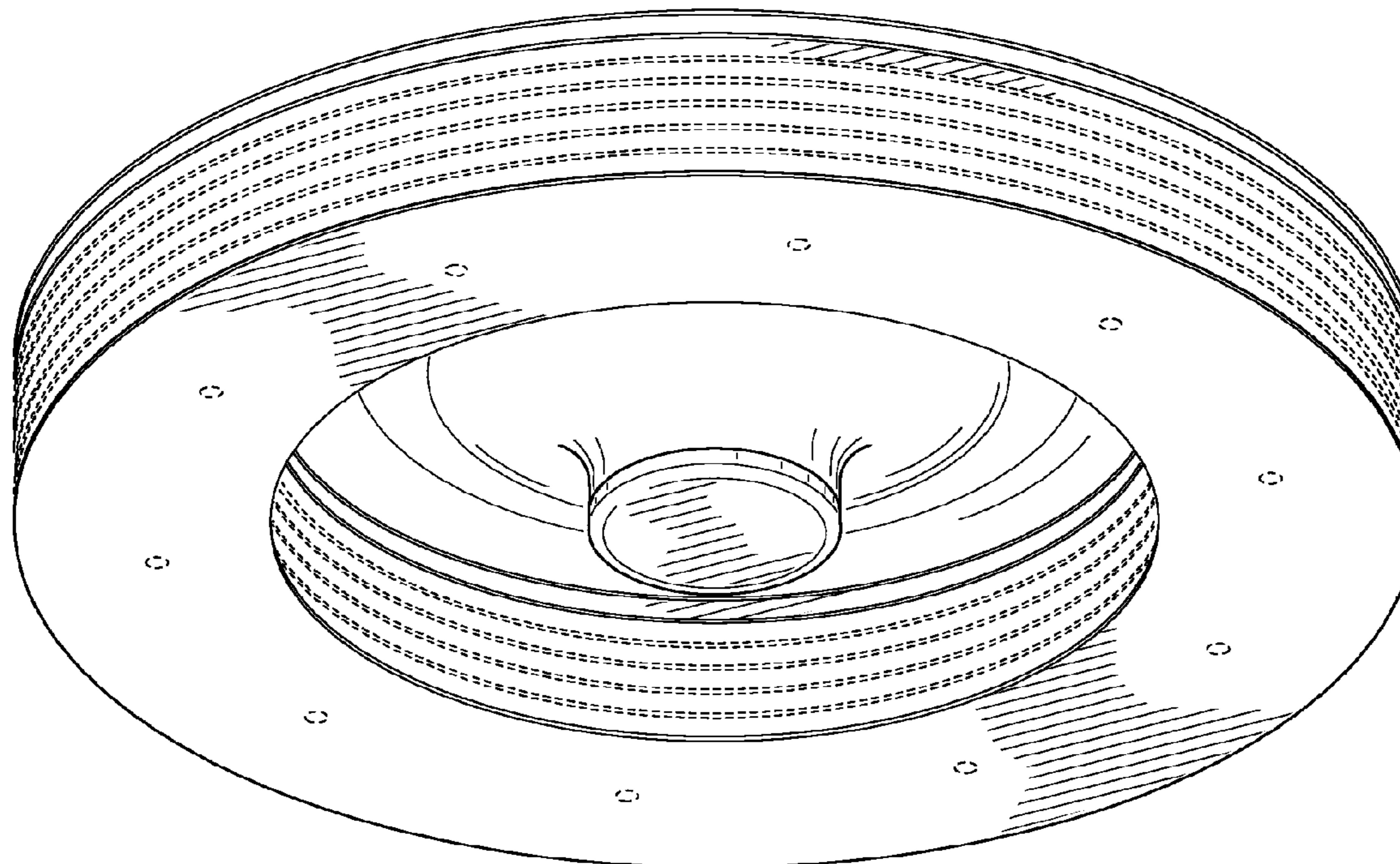
The broken lines illustrate portions of the fan which form no part of the claimed design.

(56) **References Cited**

U.S. PATENT DOCUMENTS

D90,063 S \* 6/1933 Dasher ..... D23/377

**1 Claim, 4 Drawing Sheets**



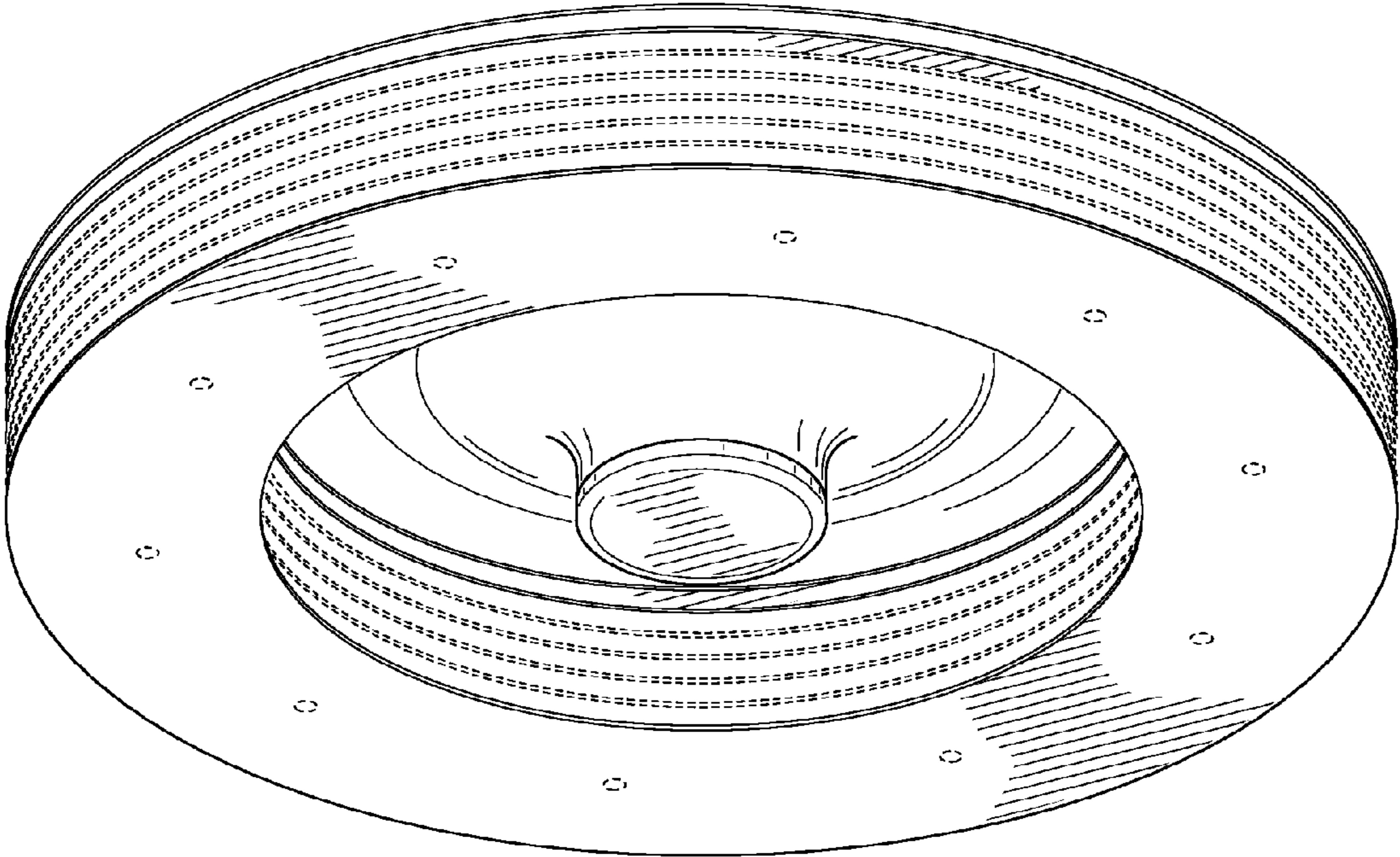
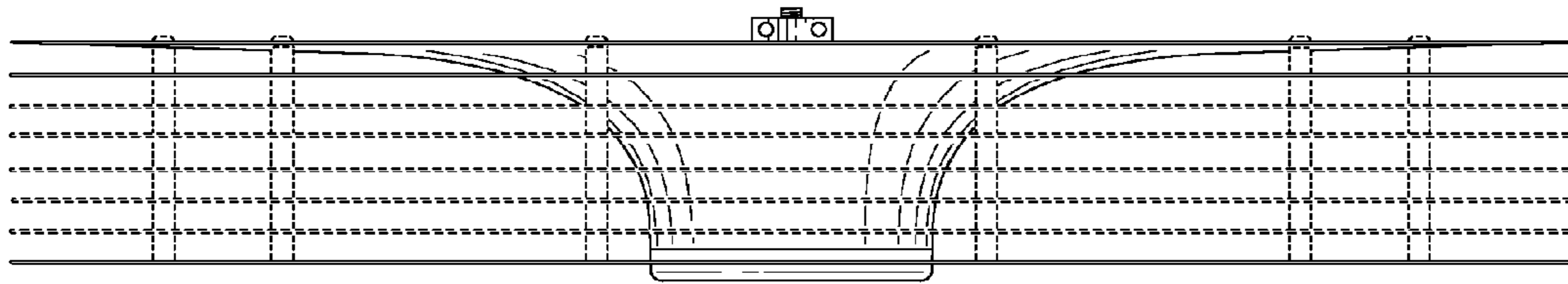
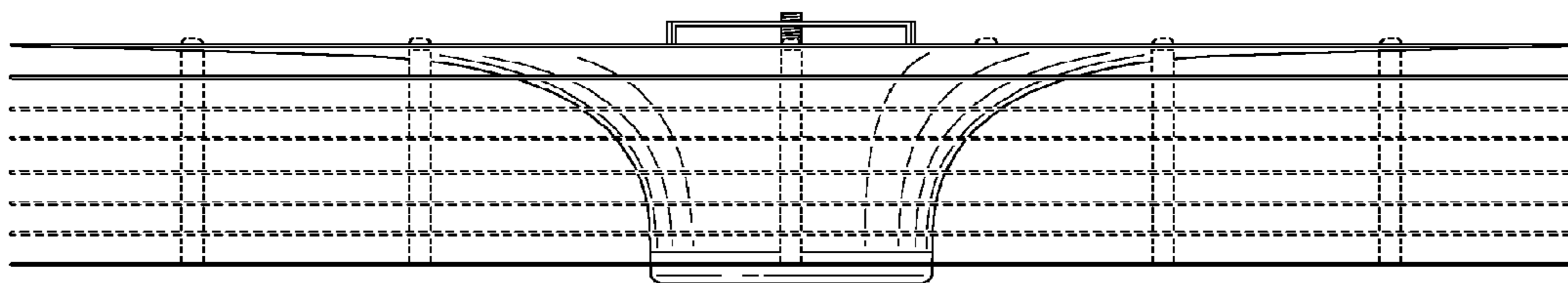


FIG. 1



**FIG. 2**



**FIG. 3**

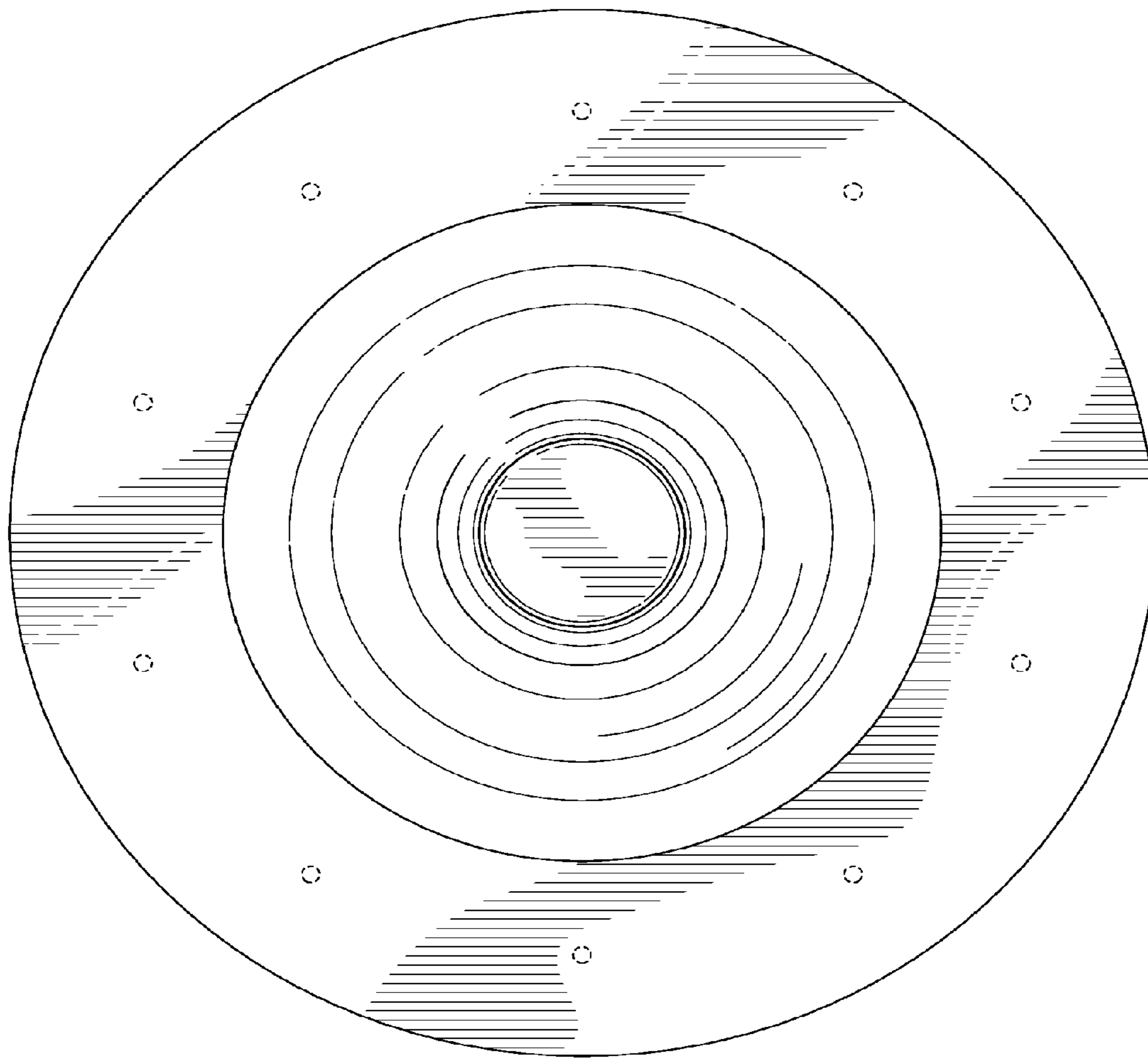


FIG. 4

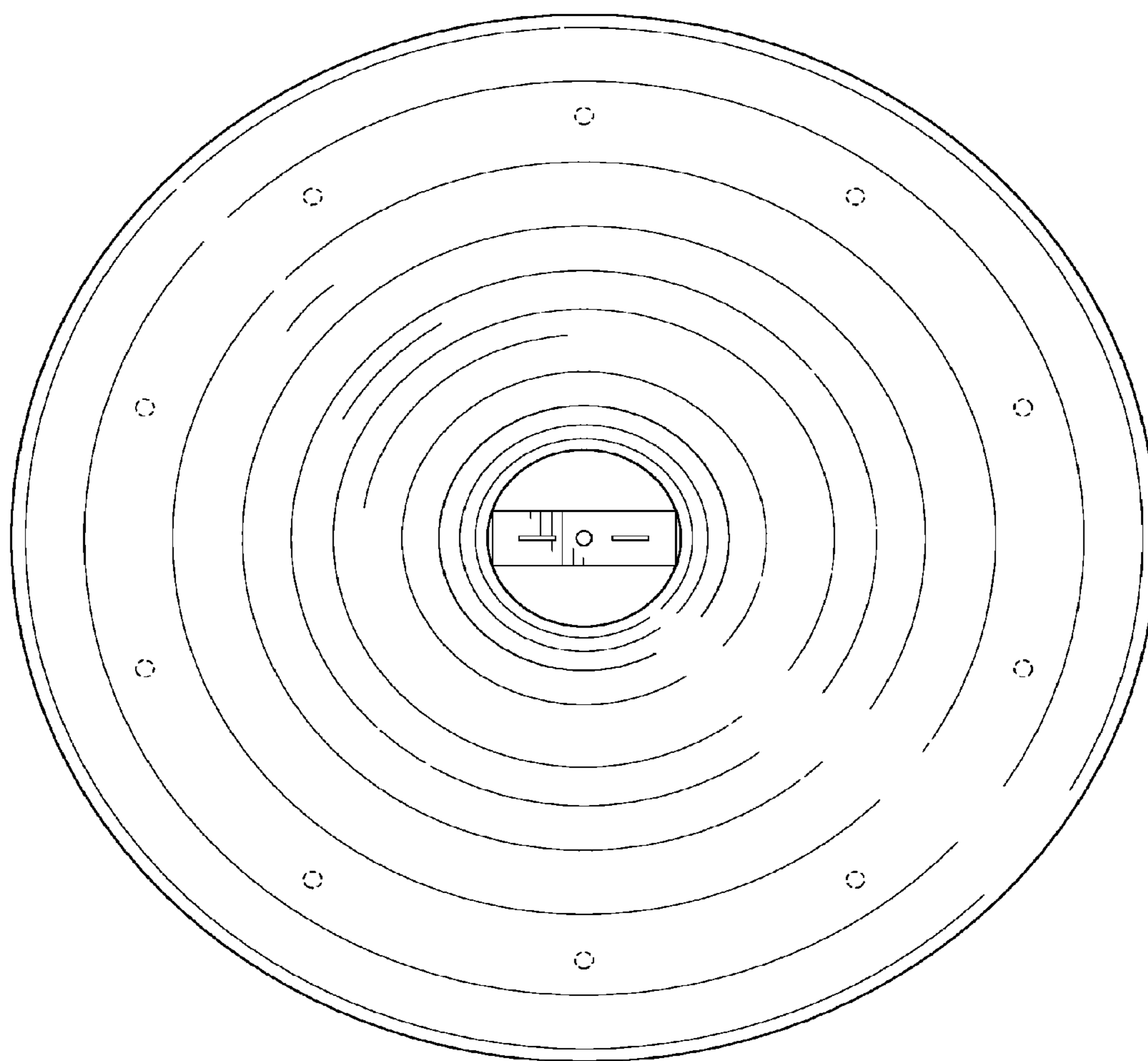


FIG. 5

UNITED STATES PATENT AND TRADEMARK OFFICE  
**CERTIFICATE OF CORRECTION**

PATENT NO. : D676,952 S  
APPLICATION NO. : 29/391310  
DATED : February 26, 2013  
INVENTOR(S) : Nicholas A. Hiner et al.

Page 1 of 1

It is certified that error appears in the above-identified patent and that said Letters Patent is hereby corrected as shown below:

On the Title Page

The proper inventorship is: Nicholas A. HINER -- and Richard HALSAL --

Signed and Sealed this  
Thirtieth Day of May, 2017



Michelle K. Lee  
*Director of the United States Patent and Trademark Office*

UNITED STATES PATENT AND TRADEMARK OFFICE

**CERTIFICATE OF CORRECTION**

PATENT NO. : D676,952 S  
APPLICATION NO. : 29/391310  
DATED : February 26, 2013  
INVENTOR(S) : Nicholas A. Hiner et al.

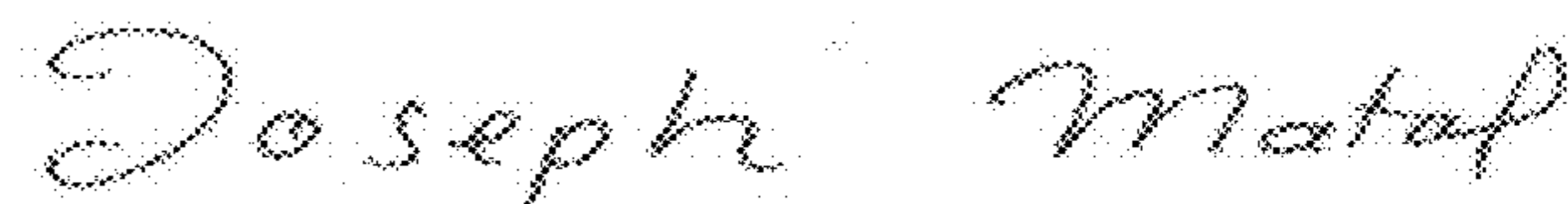
Page 1 of 1

It is certified that error appears in the above-identified patent and that said Letters Patent is hereby corrected as shown below:

On the Title Page

The proper inventorship is: Nicholas A. Hiner, Georgetown, IN (US)  
Richard Halsal, Georgetown, IN (US)

Signed and Sealed this  
Thirteenth Day of June, 2017

A handwritten signature in cursive script that reads "Joseph Matal".

Joseph Matal  
*Performing the Functions and Duties of the  
Under Secretary of Commerce for Intellectual Property and  
Director of the United States Patent and Trademark Office*