



US00D676951S

(12) **United States Design Patent**  
**Winkler**

(10) **Patent No.:** **US D676,951 S**

(45) **Date of Patent:** **\*\* Feb. 26, 2013**

(54) **AXIAL FAN**

(75) Inventor: **Wolfgang Arno Winkler, St. Georgen (DE)**

(73) Assignee: **EBM-PAPST St. Georgen GmbH & Co. KG, St. Georgen (DE)**

(\*\*) Term: **14 Years**

(21) Appl. No.: **29/391,353**

(22) Filed: **May 17, 2011**

**Related U.S. Application Data**

(62) Division of application No. 29/321,816, filed on Jul. 24, 2008, now Pat. No. Des. 639,924.

(30) **Foreign Application Priority Data**

Jan. 25, 2008 (DE) ..... 20 2008 001 613  
Jan. 25, 2008 (DE) ..... 40 2008 000 715

(51) **LOC (9) Cl.** ..... **23-04**

(52) **U.S. Cl.** ..... **D23/370; D23/411**

(58) **Field of Classification Search** ..... D23/355,  
D23/370, 379, 386, 411, 383; 415/4.3, 60,  
415/61, 108, 119, 207, 213.1, 215.1; 310/91;  
219/202

See application file for complete search history.

(56) **References Cited**

**U.S. PATENT DOCUMENTS**

D195,287 S \* 5/1963 Downing ..... D23/370  
D231,355 S \* 4/1974 Papsi ..... D23/377

4,225,285 A \* 9/1980 Sturm ..... 415/207  
6,507,135 B1 \* 1/2003 Winkler ..... 310/91  
D513,799 S \* 1/2006 Li et al. .... D23/411  
7,118,334 B2 \* 10/2006 Winkler et al. .... 415/213.1  
7,189,053 B2 \* 3/2007 Winkler et al. .... 415/108  
D639,924 S \* 6/2011 Winkler ..... D23/370  
2006/0249499 A1 \* 11/2006 Winkler ..... 219/202  
2009/0191054 A1 \* 7/2009 Winkler ..... 415/215.1  
2009/0263242 A1 \* 10/2009 Winkler et al. .... 415/213.1

\* cited by examiner

*Primary Examiner* — Caron D Veynar

*Assistant Examiner* — Martie K Holtje

(74) *Attorney, Agent, or Firm* — Milton Oliver, Esq.; Oliver Intellectual Property LLC

(57) **CLAIM**

The ornamental design for an axial fan, as shown and described.

**DESCRIPTION**

FIG. 1 is a top, perspective view of an axial fan showing my new design;

FIG. 2 is a front elevational view thereof;

FIG. 3 is a rear elevational view thereof;

FIG. 4 is a right side elevational view thereof;

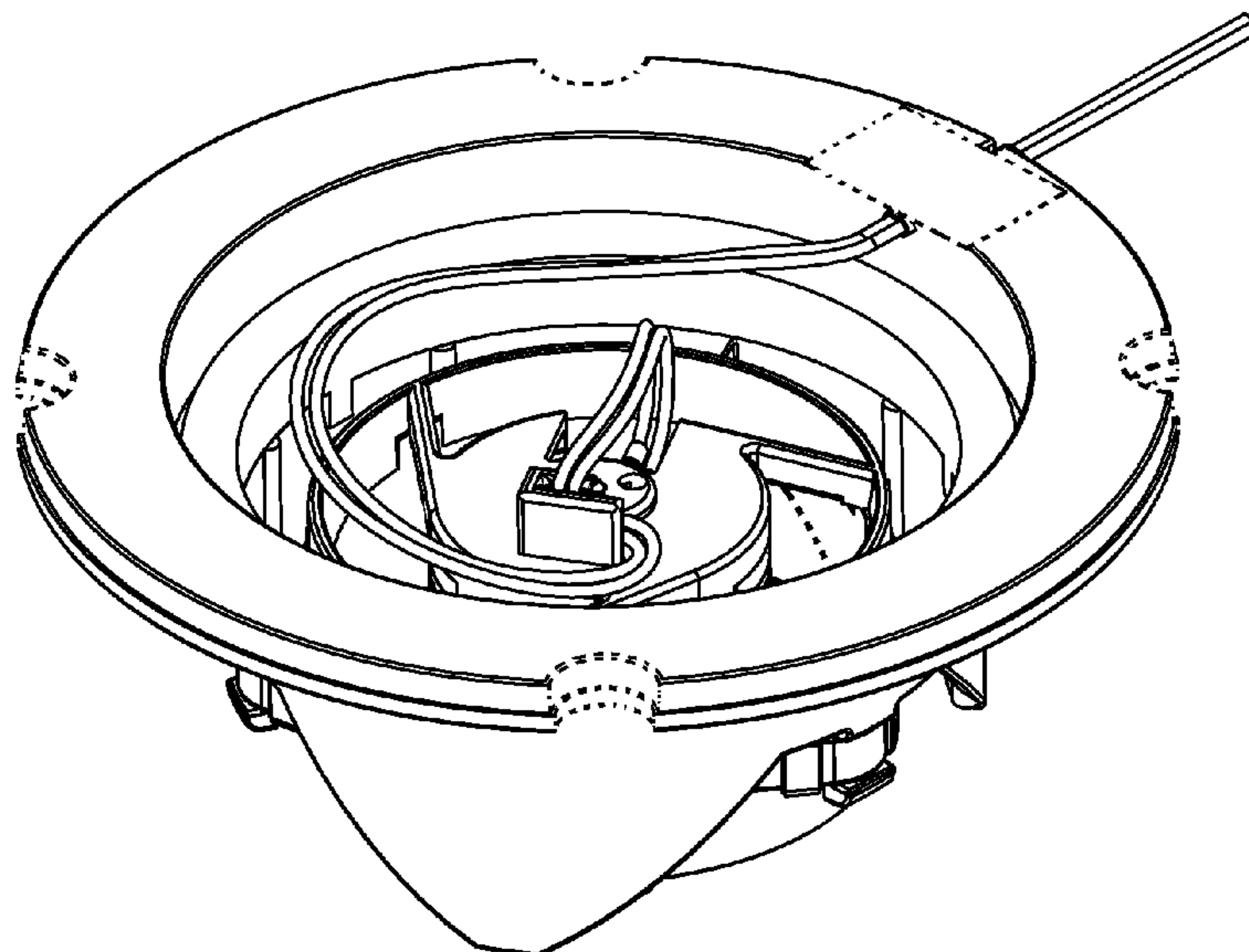
FIG. 5 is a left side elevational view thereof;

FIG. 6 is a top plan view thereof; and,

FIG. 7 is a bottom plan view thereof.

The broken line showing of structural elements in the figures is included for the purpose of illustrating portions of the axial fan that form no part of the claimed design.

**1 Claim, 7 Drawing Sheets**



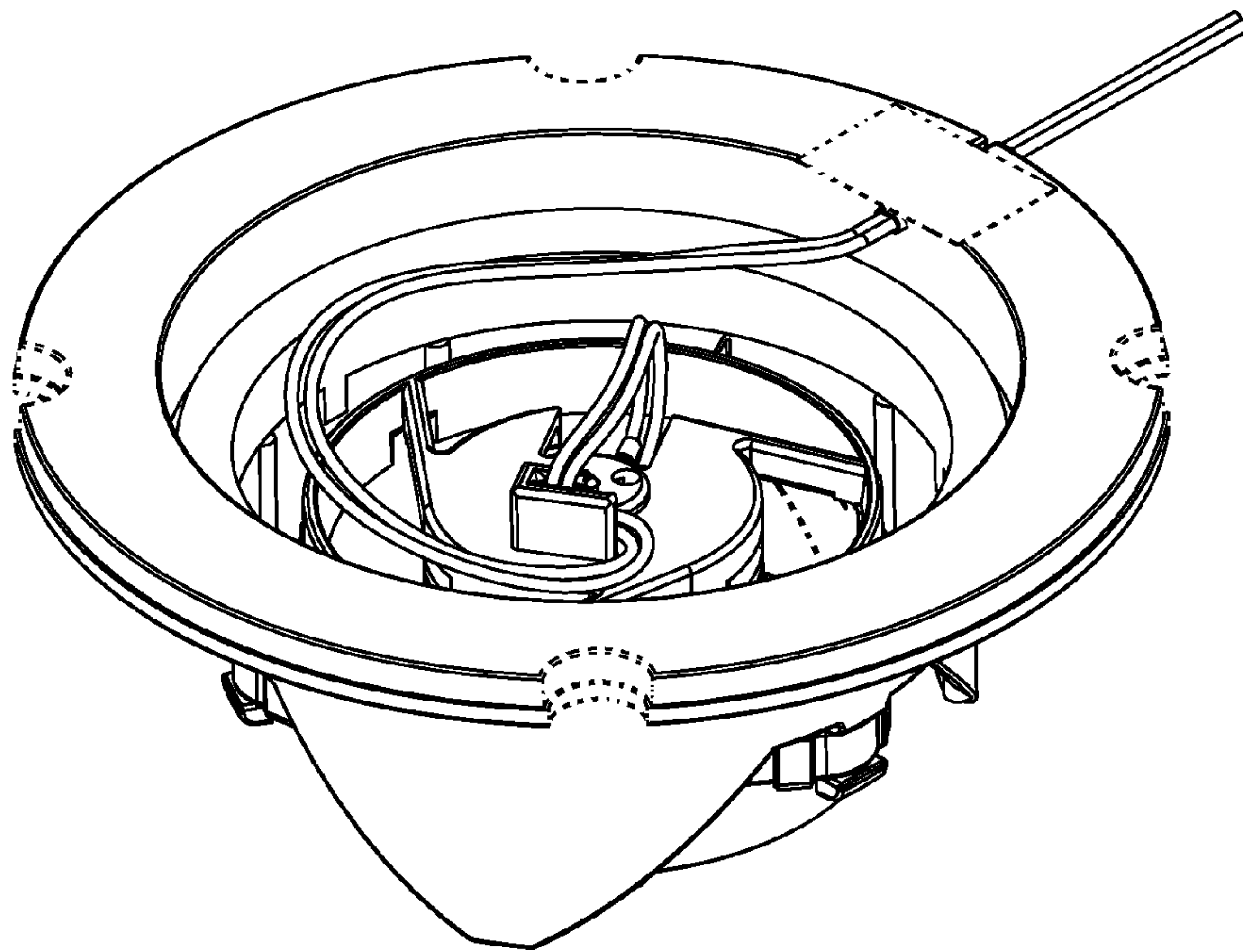


FIG. 1

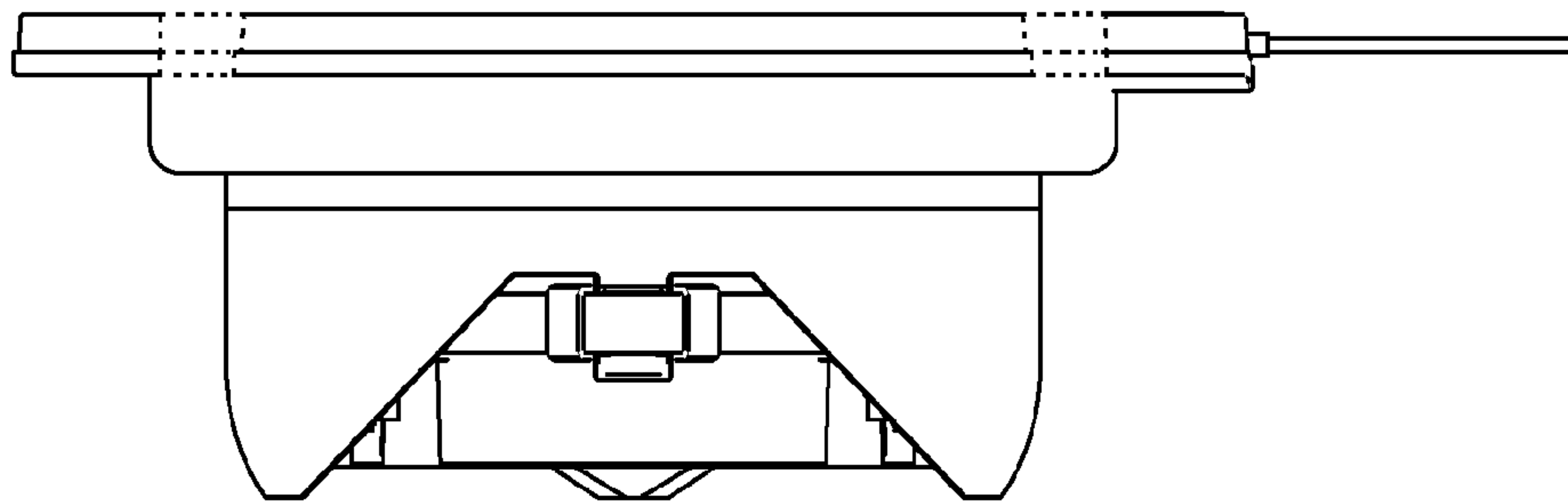


FIG. 2

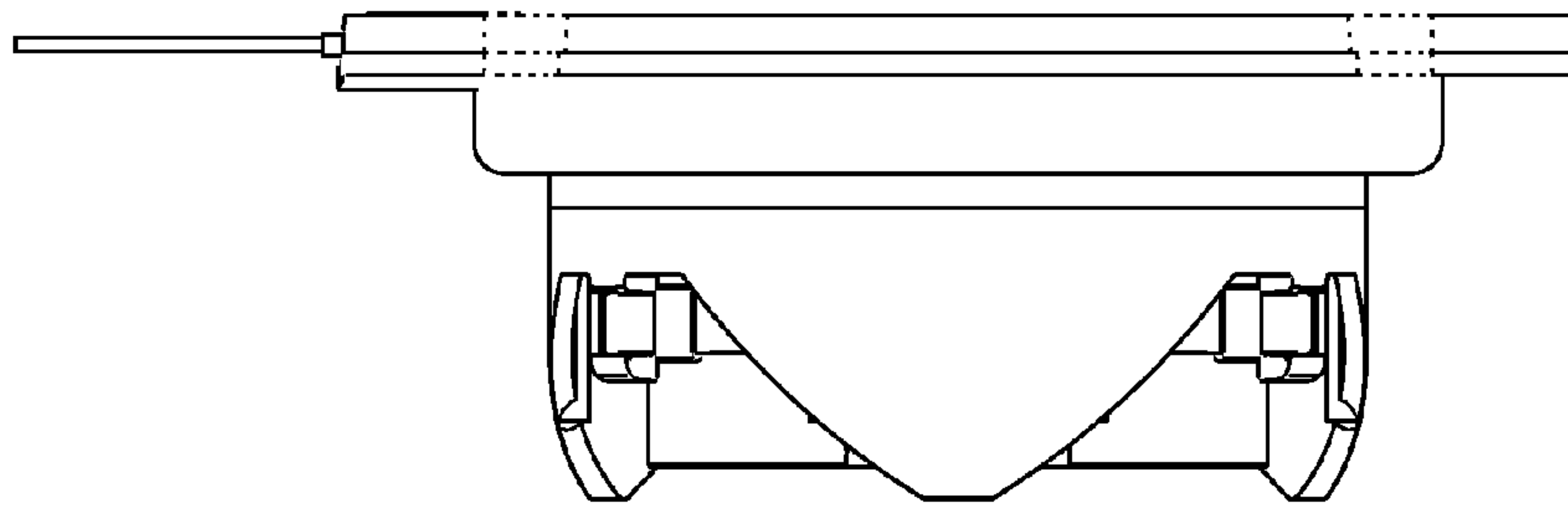


FIG. 3

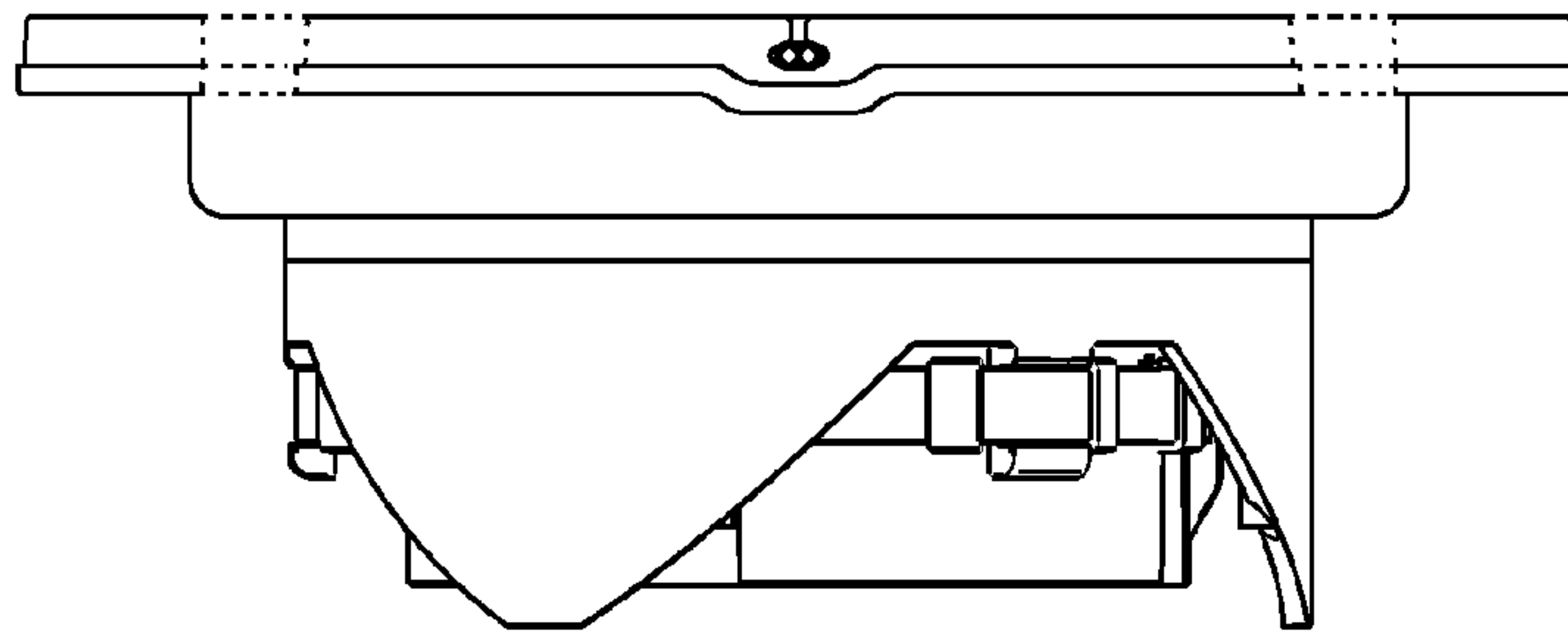


FIG. 4

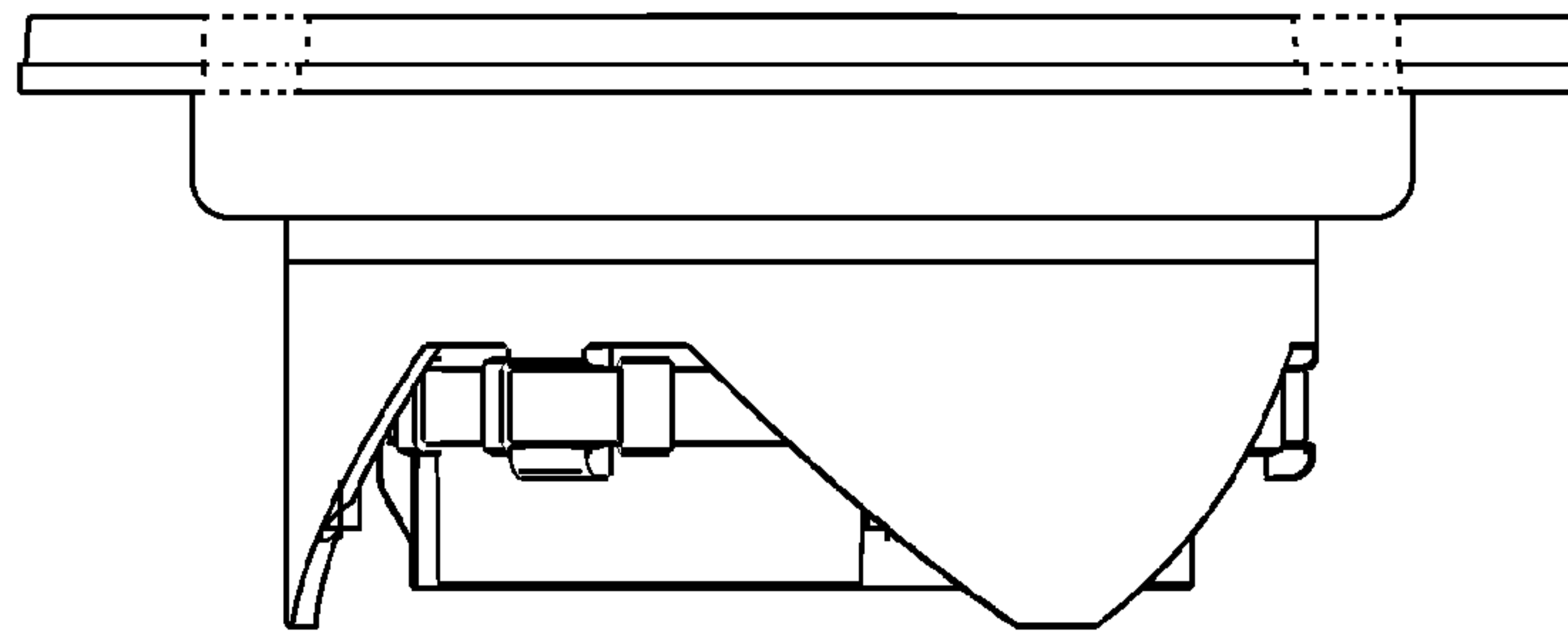


FIG. 5

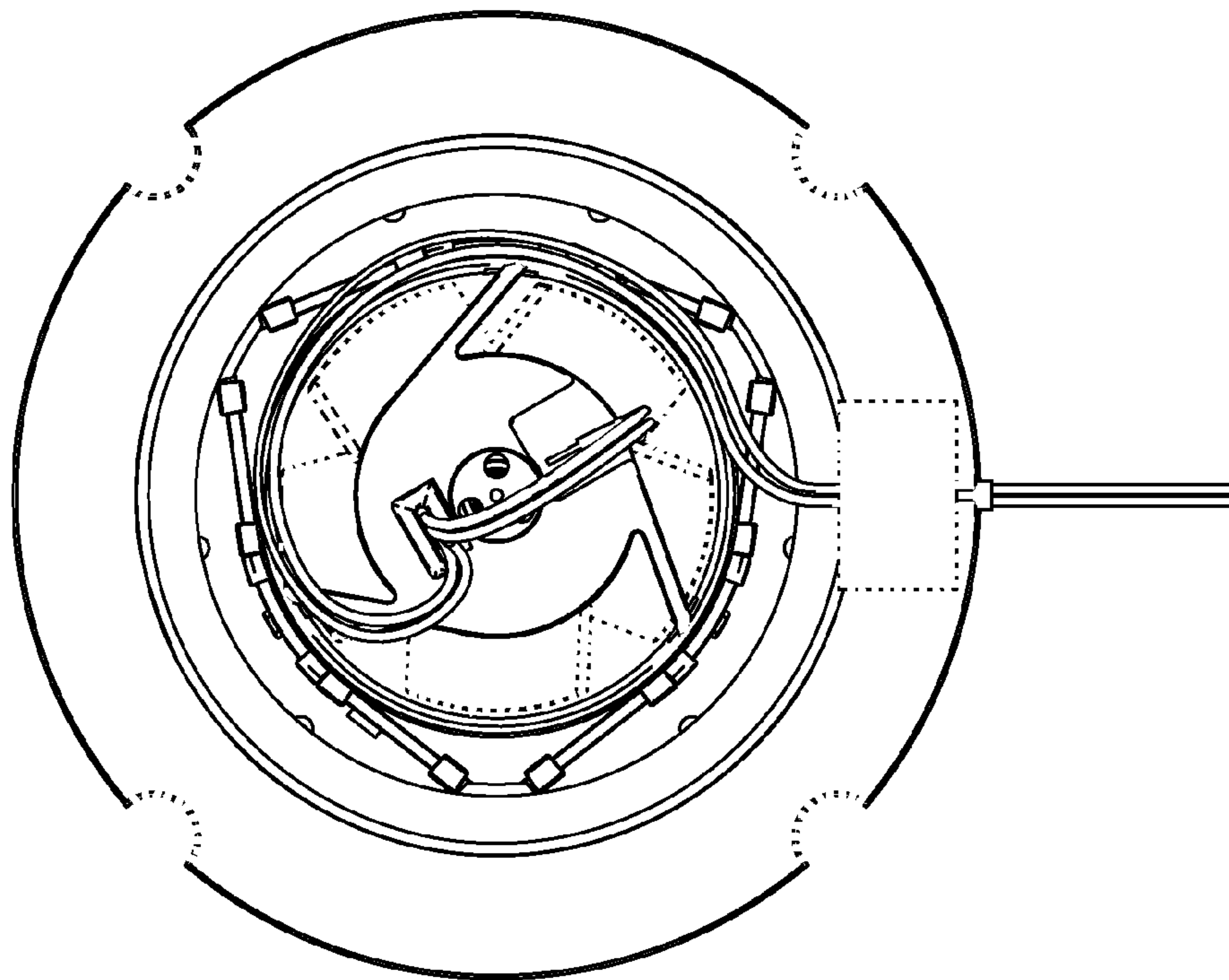


FIG. 6

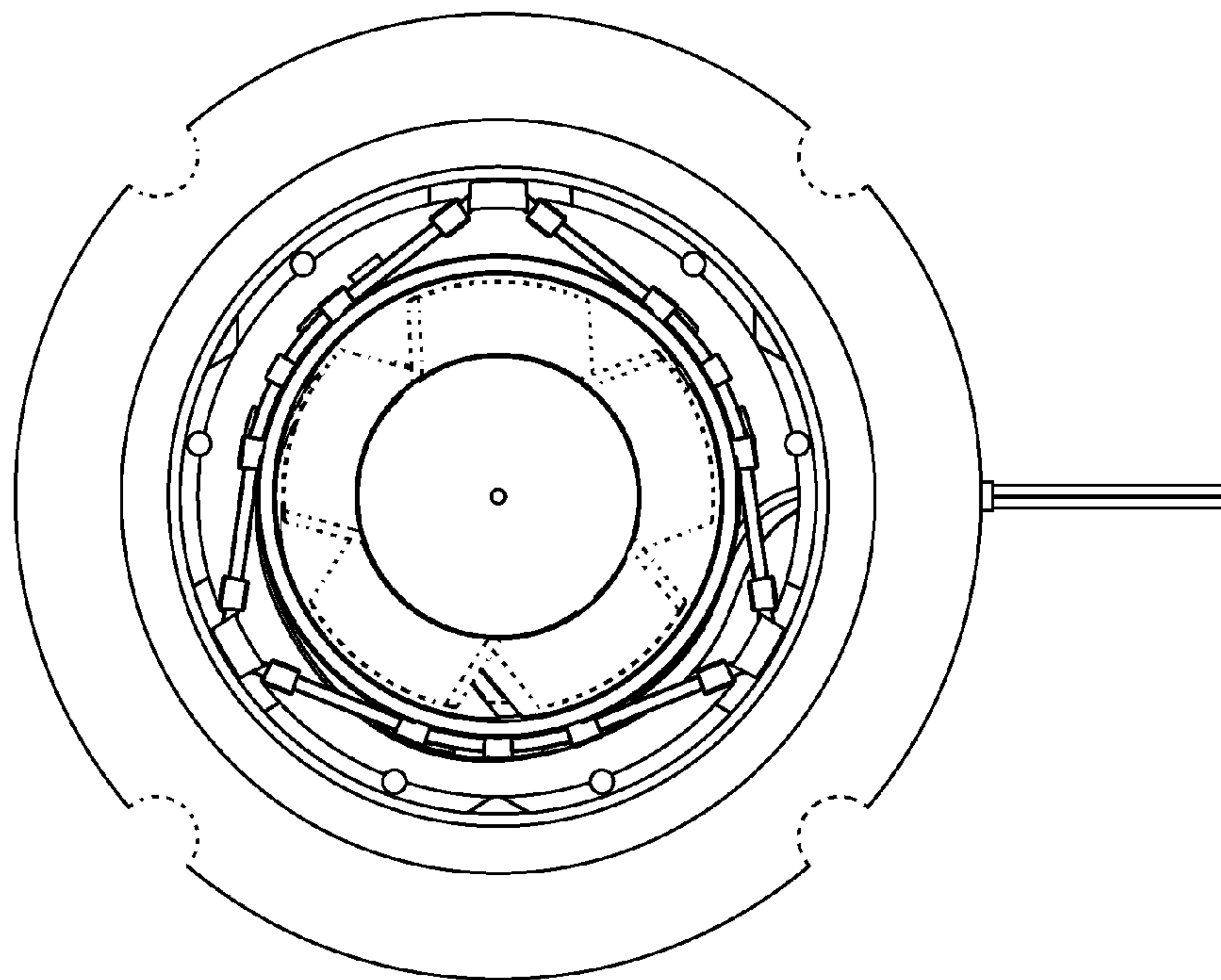


FIG. 7