



US00D676950S

(12) **United States Design Patent**  
**Angulo**

(10) **Patent No.:** **US D676,950 S**

(45) **Date of Patent:** **\*\* Feb. 26, 2013**

(54) **AIR FRESHENER**

(75) Inventor: **Alvaro Chávarri Angulo**, Madrid (ES)

(73) Assignee: **Hugworld International Distributions, S.L.**, Aranjuez (Madrid) (ES)

(\*\*) Term: **14 Years**

(21) Appl. No.: **29/419,254**

(22) Filed: **Apr. 26, 2012**

(30) **Foreign Application Priority Data**

Dec. 28, 2011 (EM) ..... 1969288

(51) **LOC (9) Cl.** ..... **28-99**

(52) **U.S. Cl.** ..... **D23/366**

(58) **Field of Classification Search** ..... D23/355-369;  
D28/5, 6; 261/DIG. 17, DIG. 42, DIG. 65,  
261/DIG. 88, DIG. 89, DIG. 47, DIG. 55,  
261/DIG. 70; 392/356, 390, 392, 394, 395;  
239/34, 44, 53, 55, 56, 326, 60, 308

See application file for complete search history.

(56) **References Cited**

U.S. PATENT DOCUMENTS

D242,461 S *	11/1976	Seymour	.....	D23/366
D292,311 S *	10/1987	Joyaux et al.	.....	D23/366
D510,991 S *	10/2005	Harbutt et al.	.....	D23/366
D522,118 S *	5/2006	Miro	.....	D23/366
D535,002 S *	1/2007	Caserta et al.	.....	D23/366

D536,081 S *	1/2007	Steinel	.....	D23/366
D550,341 S *	9/2007	Di Robilant	.....	D23/359
D579,163 S *	10/2008	Schablinger	.....	D32/29.1
D599,897 S *	9/2009	Low	.....	D23/364
D603,291 S *	11/2009	Wessling	.....	D11/121
D610,667 S *	2/2010	Espiritu, Jr.	.....	D23/367
D611,587 S *	3/2010	Dineen	.....	D23/366
D628,282 S *	11/2010	Espiritu, Jr.	.....	D23/366
D631,535 S *	1/2011	Togawa et al.	.....	D23/366
2003/0080197 A1 *	5/2003	Tuomikoski et al.	.....	239/44

\* cited by examiner

*Primary Examiner* — Sandra Snapp

(74) *Attorney, Agent, or Firm* — Finnegan, Henderson, Farabow, Garrett & Dunner, LLP

(57) **CLAIM**

The ornamental design for an air freshener, as shown and described.

**DESCRIPTION**

FIG. 1 is a top perspective view of an air freshener showing my design;

FIG. 2 is a top view thereof;

FIG. 3 is a bottom view thereof;

FIG. 4 is a right side view thereof

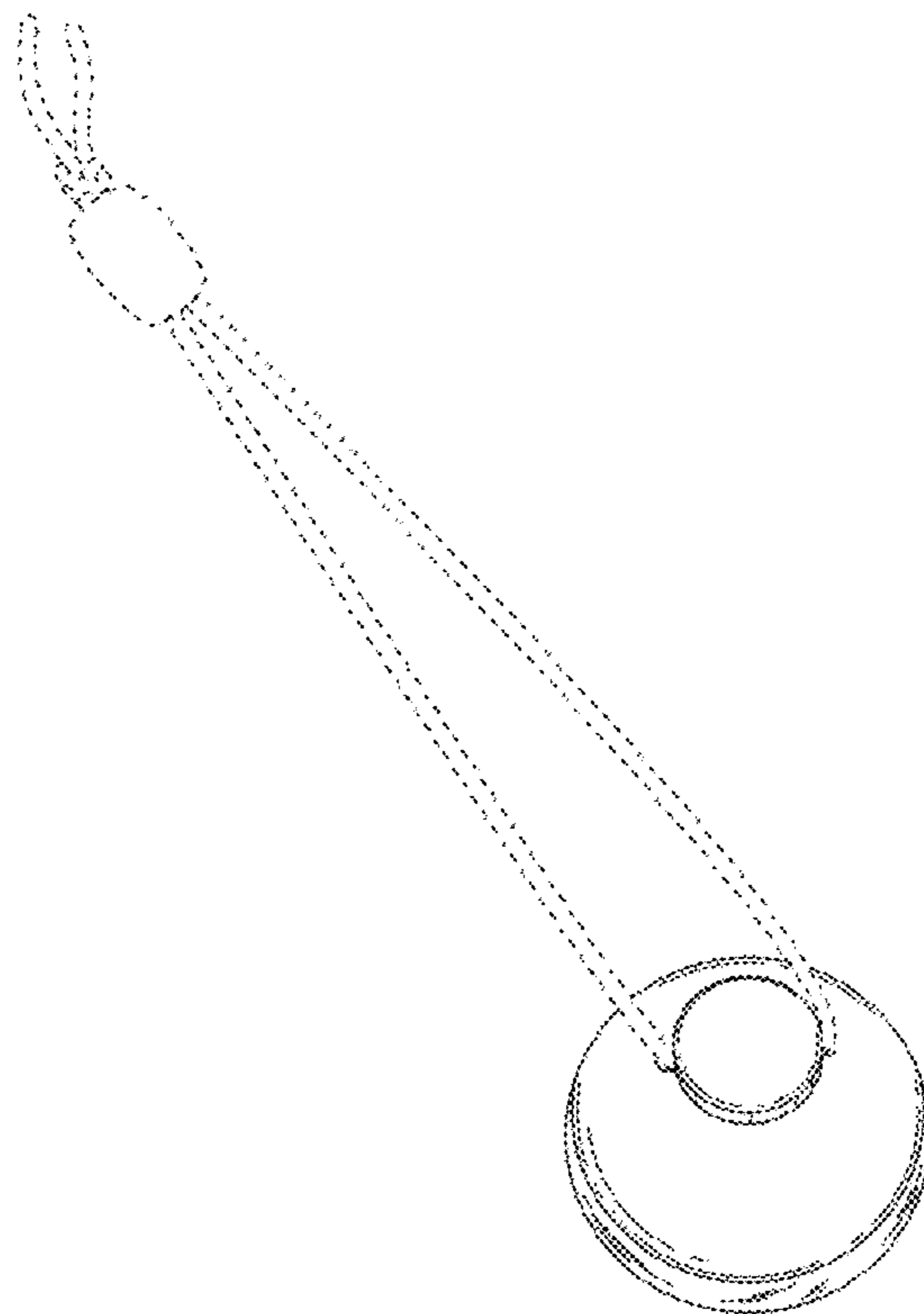
FIG. 5 is a left side thereof;

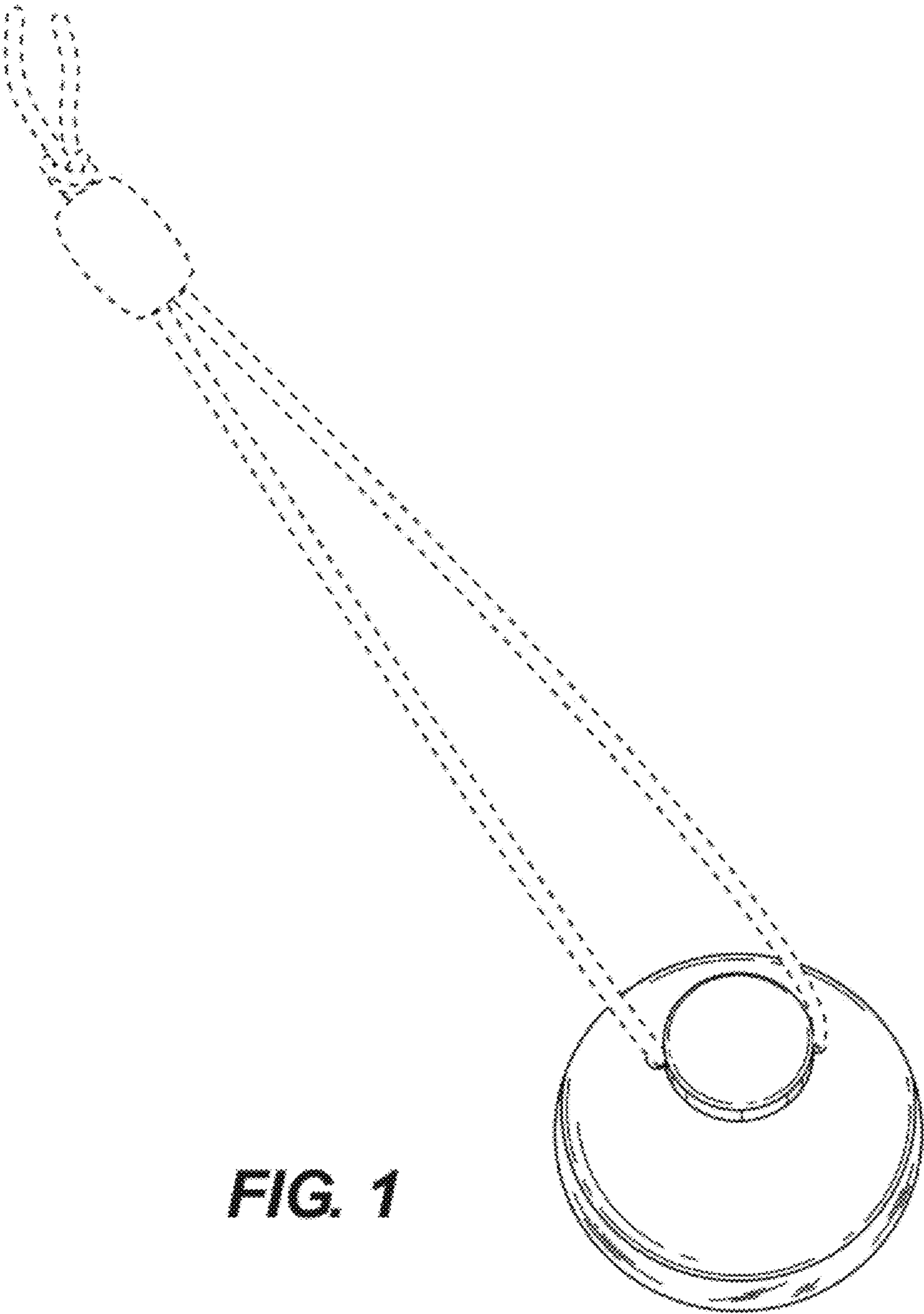
FIG. 6 is a front view thereof; and,

FIG. 7 is a rear view thereof.

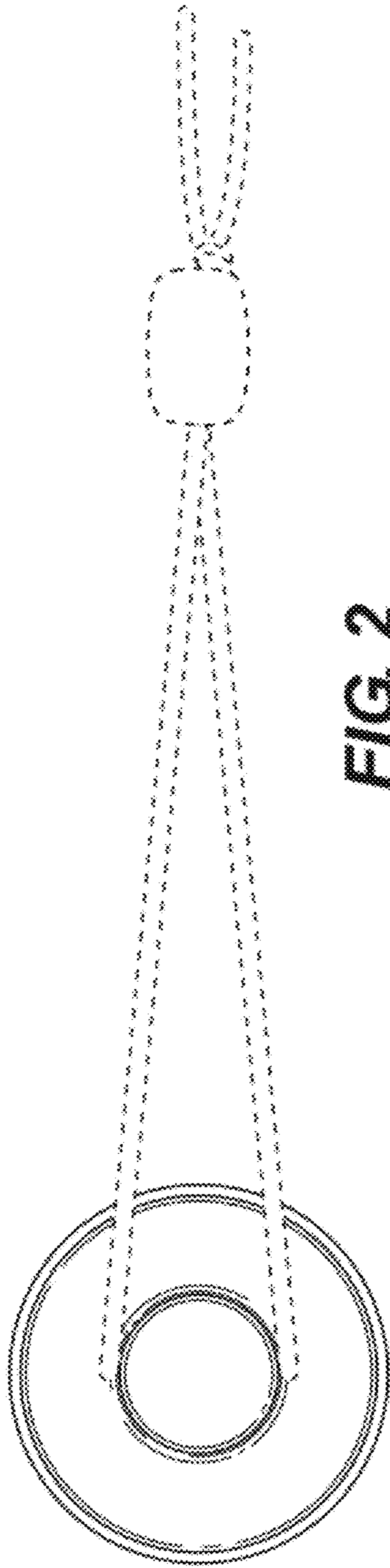
The broken lines depict environment and the elements depicted in broken lines form no part of the claimed design.

**1 Claim, 4 Drawing Sheets**





**FIG. 1**



**FIG. 2**



**FIG. 3**

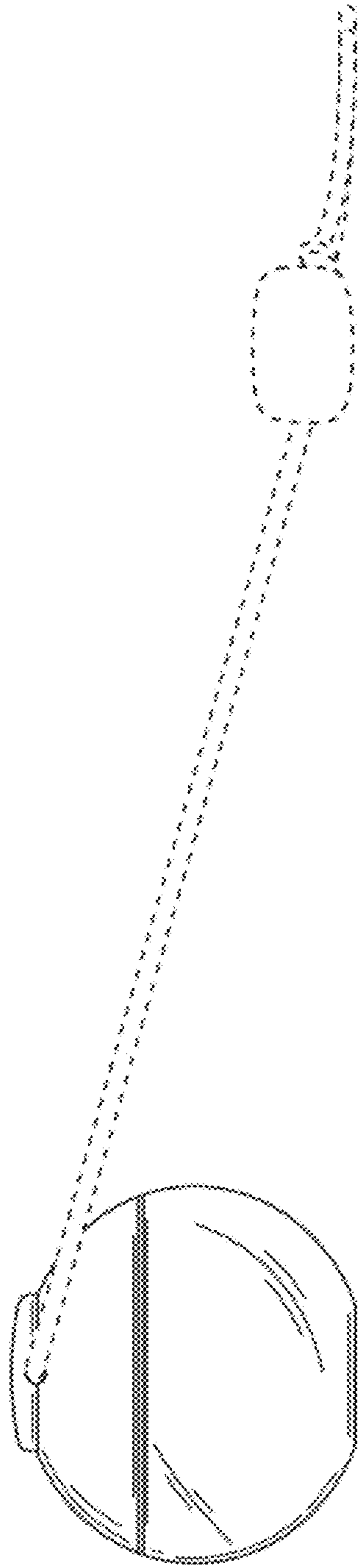


FIG. 4

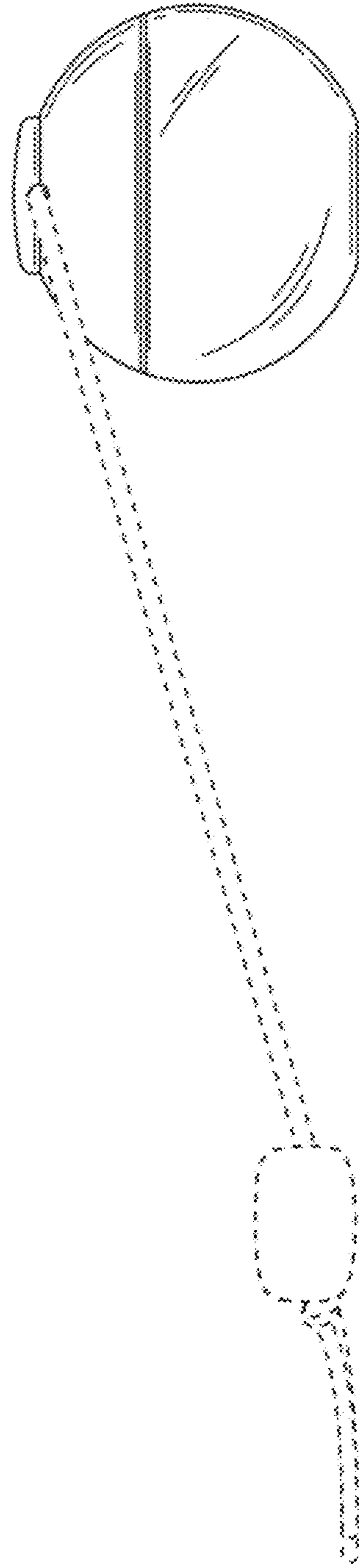
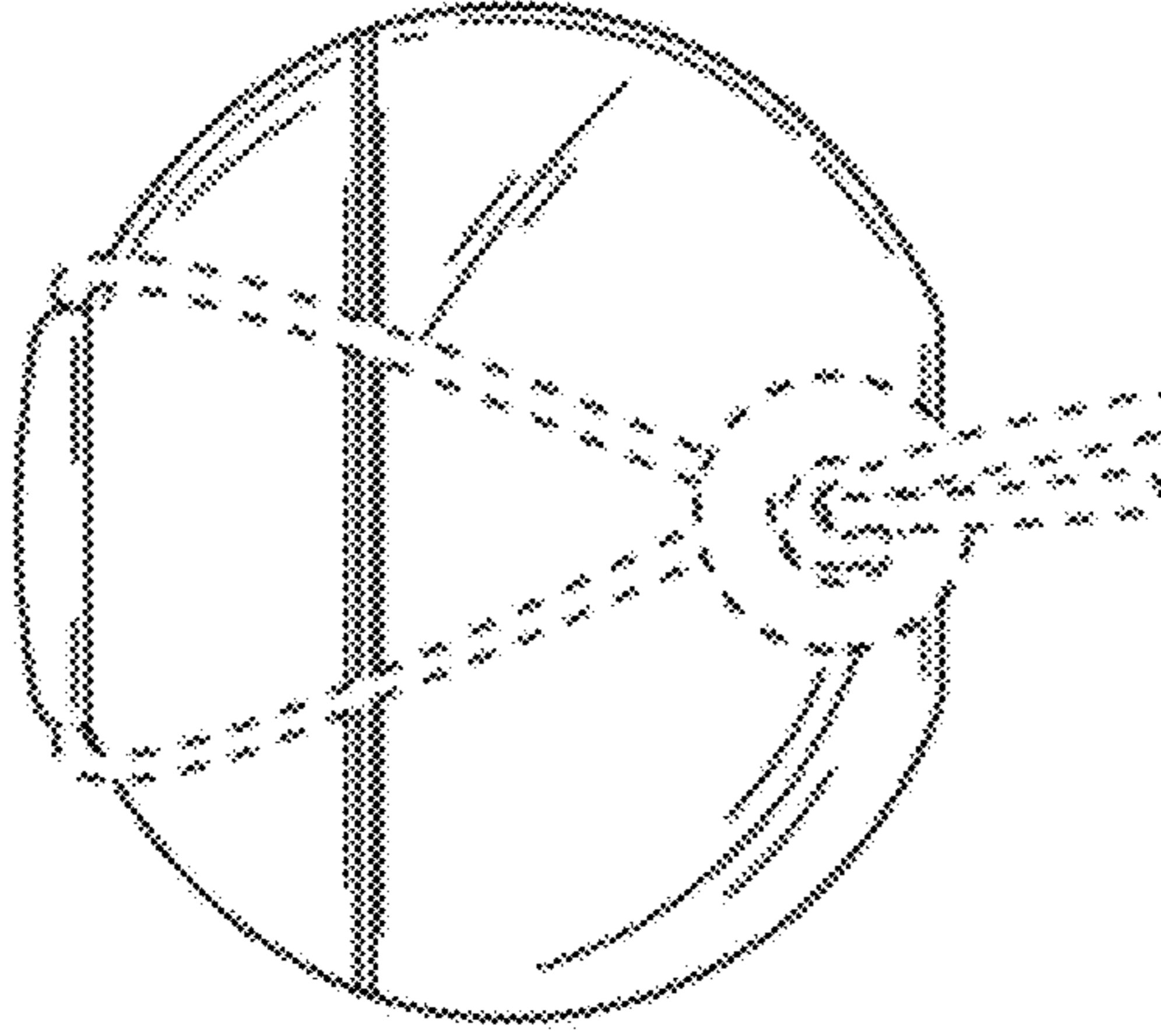
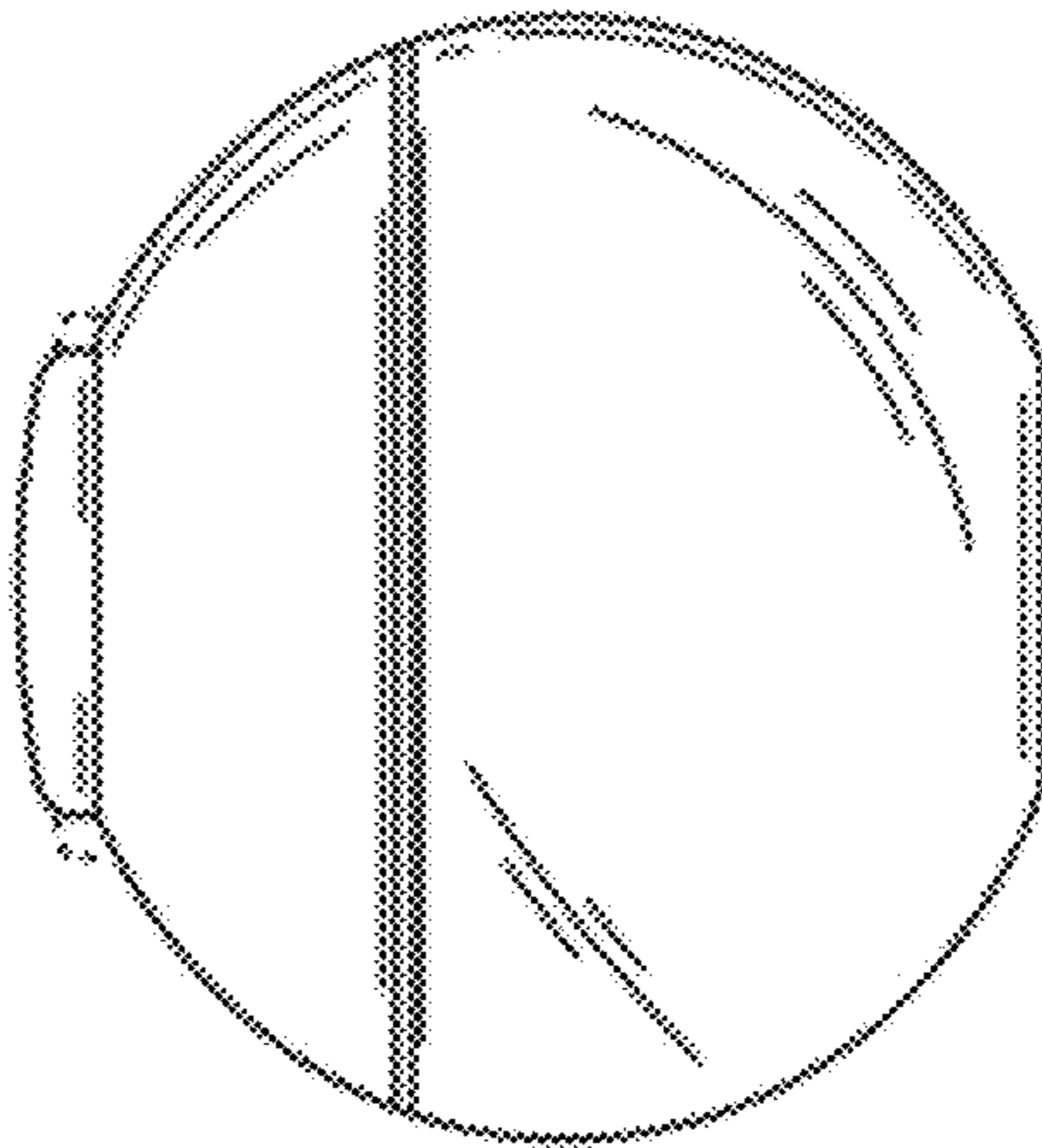


FIG. 5



**FIG. 7**



**FIG. 6**