



US00D676949S

(12) **United States Design Patent**  
**Dornau et al.**

(10) **Patent No.:** **US D676,949 S**  
(45) **Date of Patent:** **\*\* Feb. 26, 2013**

- (54) **DISINFECTANT DISTRIBUTOR**
- (75) Inventors: **Gregor Dornau**, Fort Lauderdale, FL (US); **Peter Dornau**, Fort Lauderdale, FL (US)
- (73) Assignee: **Star Brite Distributing, Inc.**, Fort Lauderdale, FL (US)
- (\*\*) Term: **14 Years**
- (21) Appl. No.: **29/411,116**
- (22) Filed: **Jan. 17, 2012**
- (51) **LOC (9) Cl.** ..... **28-99**
- (52) **U.S. Cl.** ..... **D23/366**
- (58) **Field of Classification Search** ..... D23/355-369; D28/5, 6; 261/DIG. 17, DIG. 42, DIG. 65, 261/DIG. 88, DIG. 89; 392/386, 390, 394, 392/395; 239/34, 44, 53, 55, 56, 326; D26/14, D26/17, 98; D9/424, 425, 427  
See application file for complete search history.

6,764,661	B1	7/2004	Girard	
6,938,832	B2 *	9/2005	Sada	239/41
D510,263	S *	10/2005	Isono et al.	D9/425
D513,433	S *	1/2006	Lemaire	D23/366
D520,130	S *	5/2006	Miro	D23/368
D525,352	S *	7/2006	Lemaire	D23/366
D536,082	S *	1/2007	Pugh	D23/366
D540,454	S *	4/2007	Ruiz Ballesteros et al.	D23/366
7,213,770	B2 *	5/2007	Martens et al.	239/57
7,322,473	B2 *	1/2008	Fux	206/459.1
2,482,891	A1	3/2008	Aston	
7,426,799	B2 *	9/2008	Christianson et al.	40/725
D584,141	S *	1/2009	Smith et al.	D9/425
D584,808	S *	1/2009	Moreno Perez et al.	D23/366
D585,762	S *	2/2009	Friedland et al.	D9/707
D607,984	S *	1/2010	Ko et al.	D23/366
D612,039	S *	3/2010	Ko et al.	D23/366
D614,023	S *	4/2010	Amos et al.	D9/416
7,841,587	B2 *	11/2010	Pankhurst et al.	261/142
D641,074	S *	7/2011	Wu	D23/366
D655,154	S *	3/2012	Amos et al.	D9/425
2004/0262418	A1 *	12/2004	Smith et al.	239/43
2006/0081495	A1 *	4/2006	Killinger	206/532
2009/0000968	A1 *	1/2009	Smith et al.	206/264
2009/0142235	A1	6/2009	Rico et al.	

**FOREIGN PATENT DOCUMENTS**

CA	959238	3/2008
WO	9924356	5/1999

\* cited by examiner

*Primary Examiner* — Sandra Snapp  
(74) *Attorney, Agent, or Firm* — Christopher & Wiesberg, P.A.

(57) **CLAIM**  
The ornamental design for a disinfectant distributor, as shown and depicted.

**DESCRIPTION**

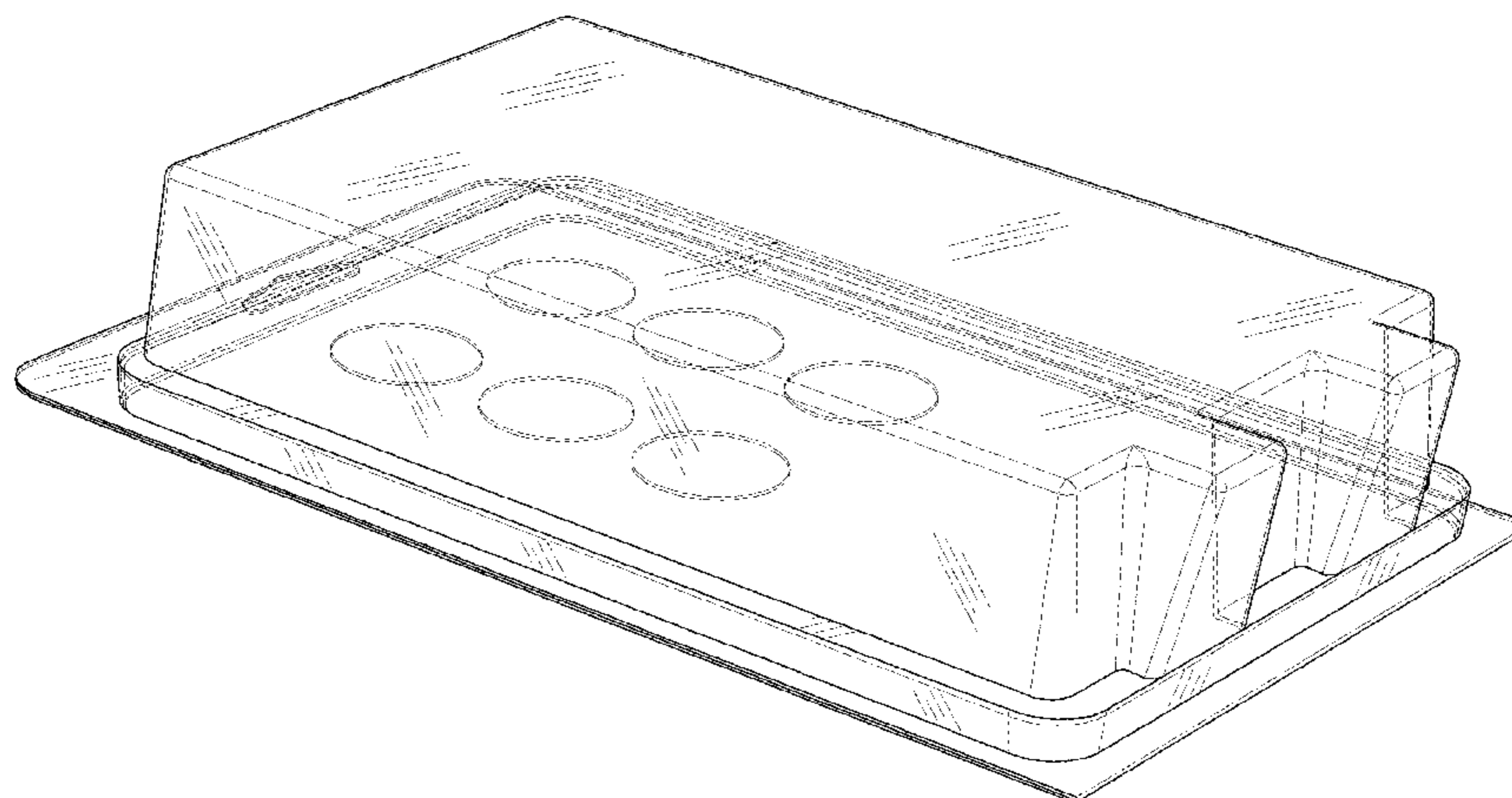
FIG. 1 is a perspective view of the disinfectant distributor in a closed state;  
FIG. 2 is perspective view in an open state thereof;  
FIG. 3 is a top view thereof;  
FIG. 4 is a bottom view thereof;  
FIG. 5 is a first side view thereof;  
FIG. 6 is a second side thereof;  
FIG. 7 is a first end view thereof; and,  
FIG. 8 is a second end view thereof.

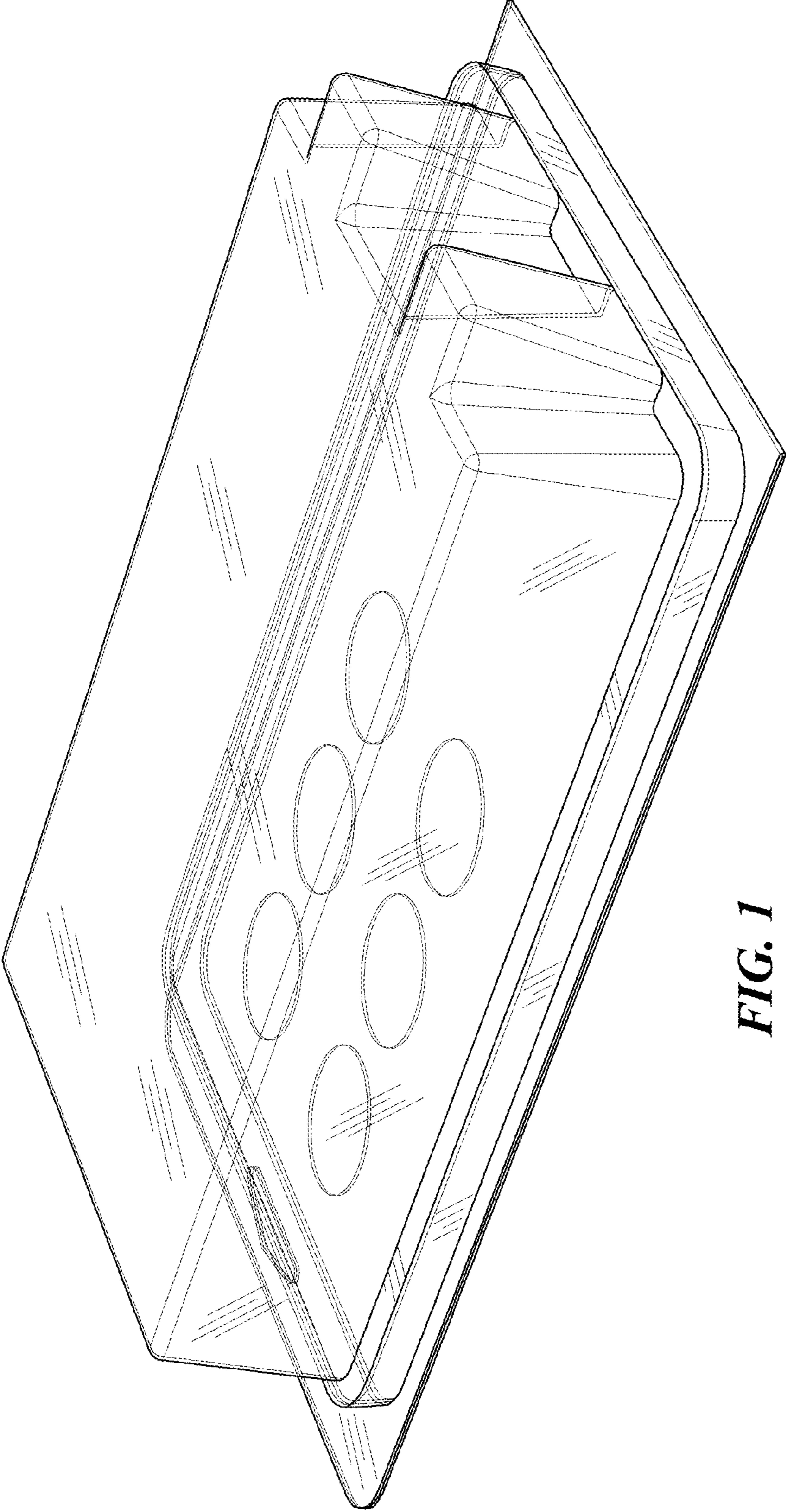
**1 Claim, 6 Drawing Sheets**

(56) **References Cited**

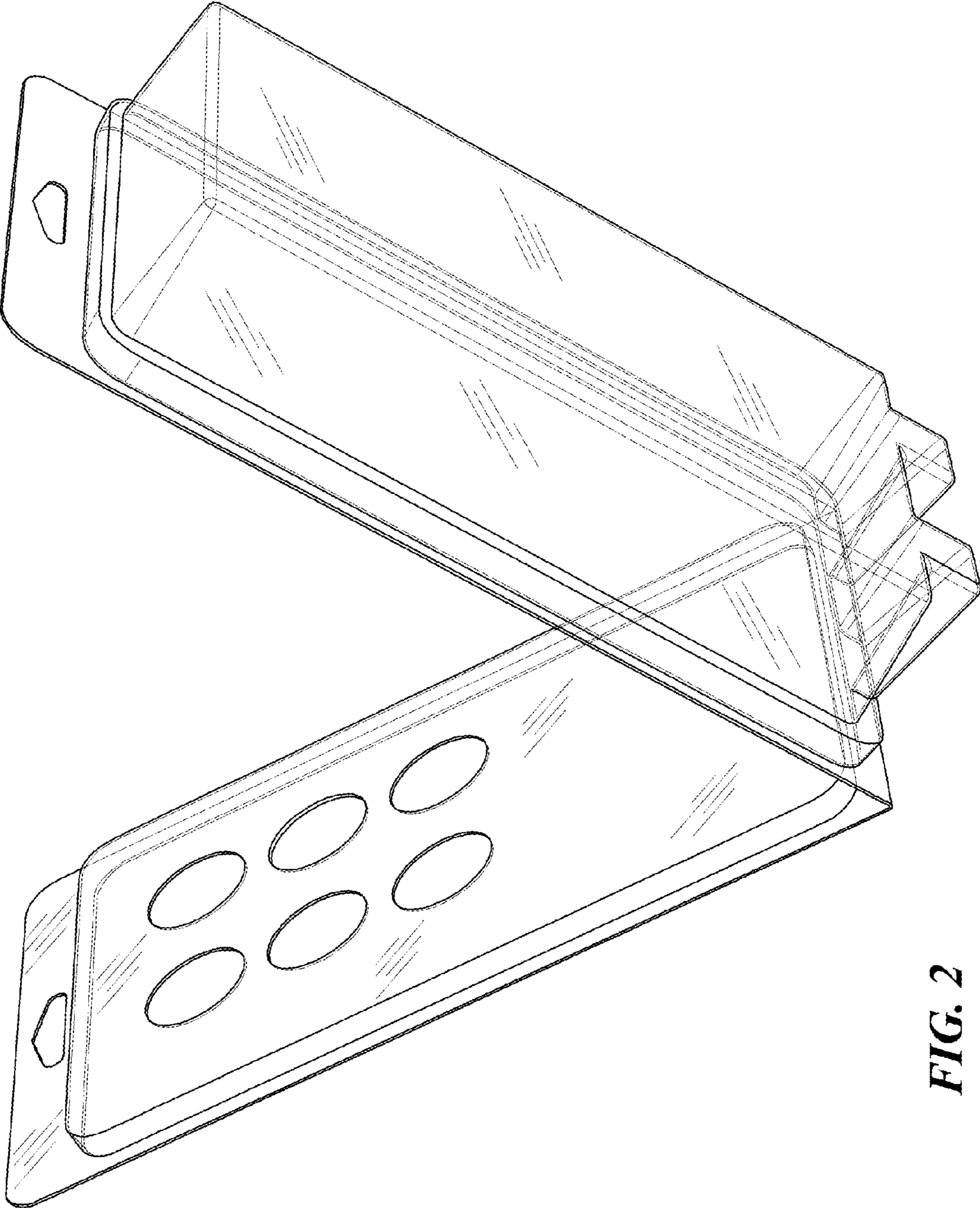
**U.S. PATENT DOCUMENTS**

2,022,262	A	11/1935	White	
2,071,091	A	2/1937	Taylor	
2,071,094	A	2/1937	Vincent	
D242,844	S *	12/1976	Seiferth et al.	D9/732
4,277,024	A *	7/1981	Spector	239/36
4,583,686	A *	4/1986	Martens et al.	239/35
4,585,482	A	4/1986	Tice et al.	
D291,242	S *	8/1987	Harden et al.	D23/386
4,748,904	A	6/1988	Razeto et al.	
4,849,606	A *	7/1989	Martens et al.	392/390
4,944,898	A *	7/1990	Glaser	261/84
D315,202	S *	3/1991	Kunze	D23/366
5,023,012	A	6/1991	Buchan et al.	
5,230,867	A *	7/1993	Kunze et al.	422/123
D354,344	S *	1/1995	Fritz et al.	D23/366
5,407,656	A	4/1995	Roozdar	
5,439,100	A *	8/1995	Gordon et al.	206/5
5,556,192	A *	9/1996	Wang	362/276
5,574,821	A *	11/1996	Babasade	392/392
6,046,243	A	4/2000	Wellinghoff et al.	
6,063,425	A	5/2000	Kross et al.	
6,123,935	A *	9/2000	Wefler et al.	424/76.1

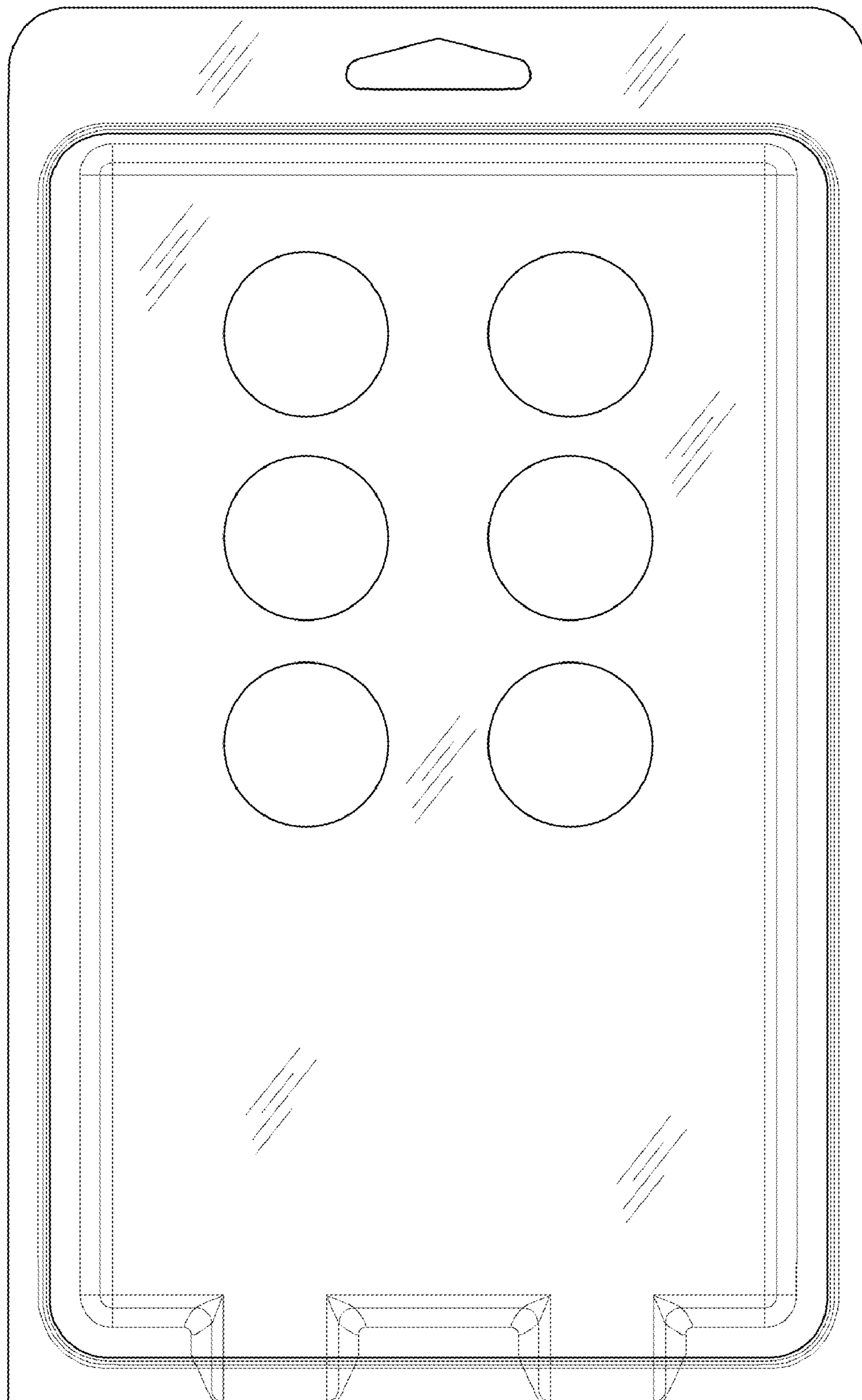




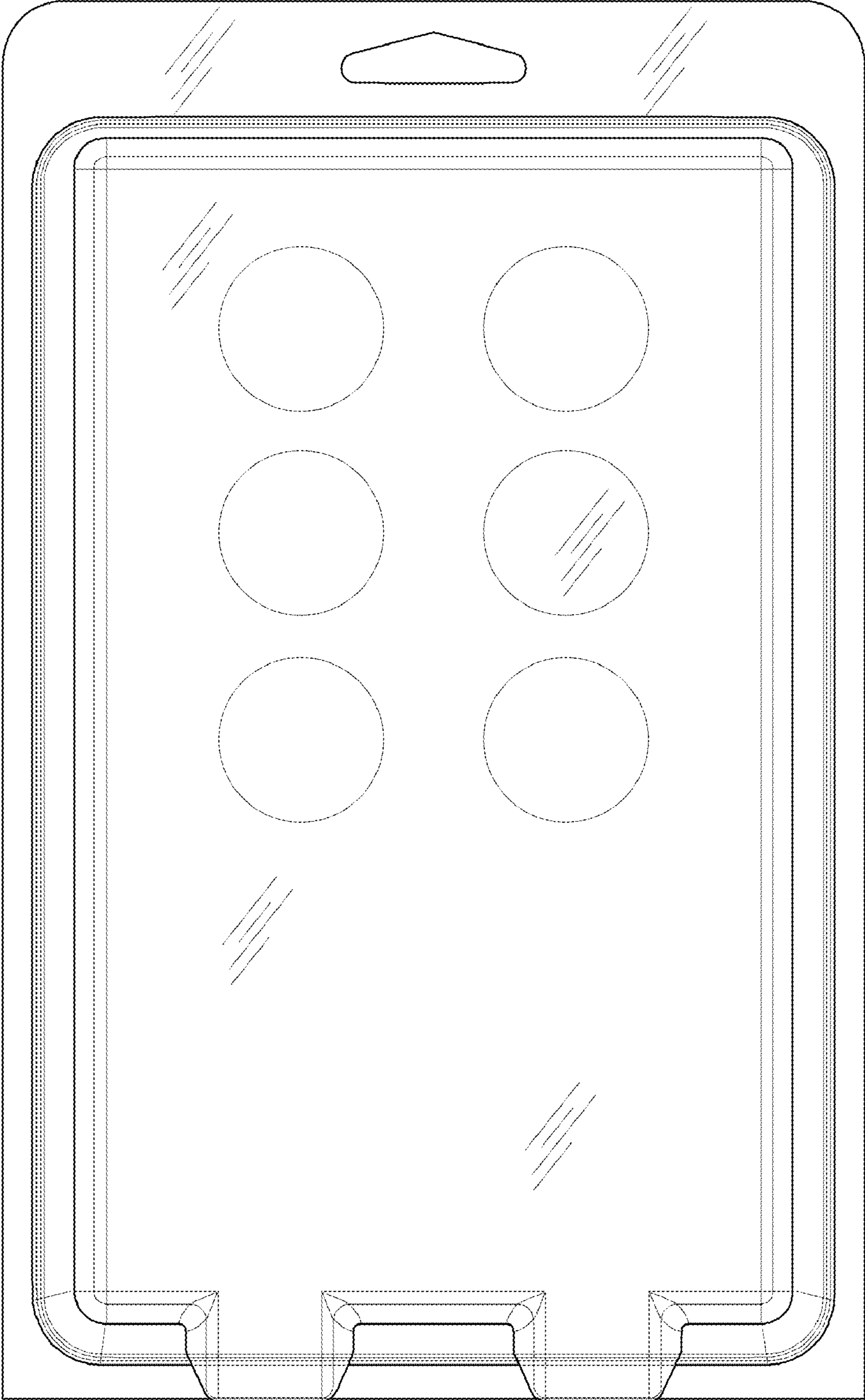
**FIG. 1**



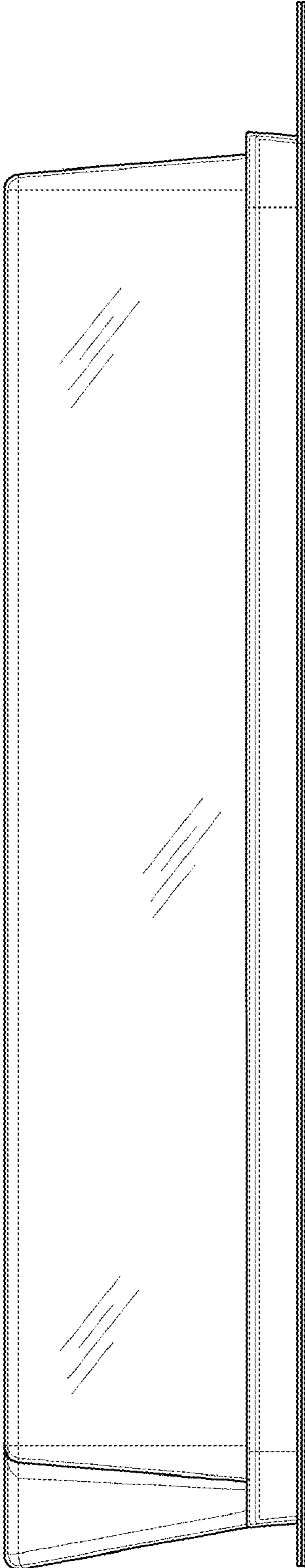
**FIG. 2**



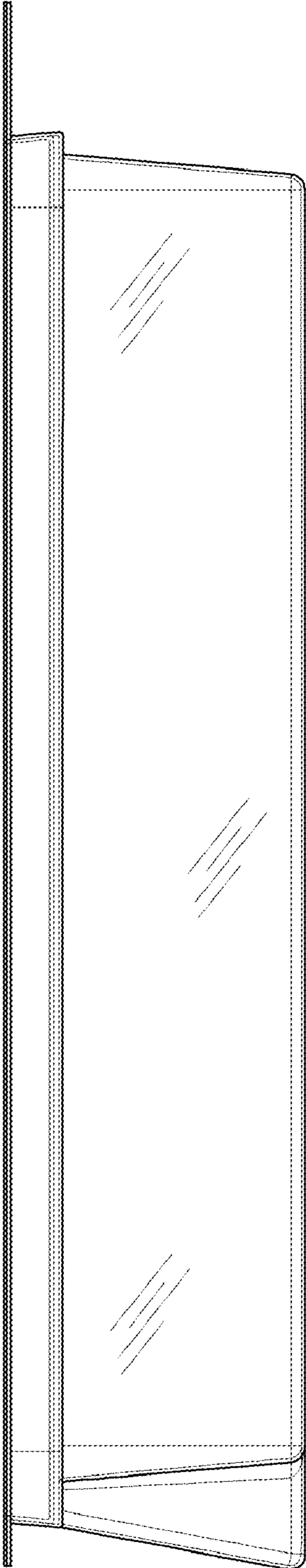
**FIG. 3**



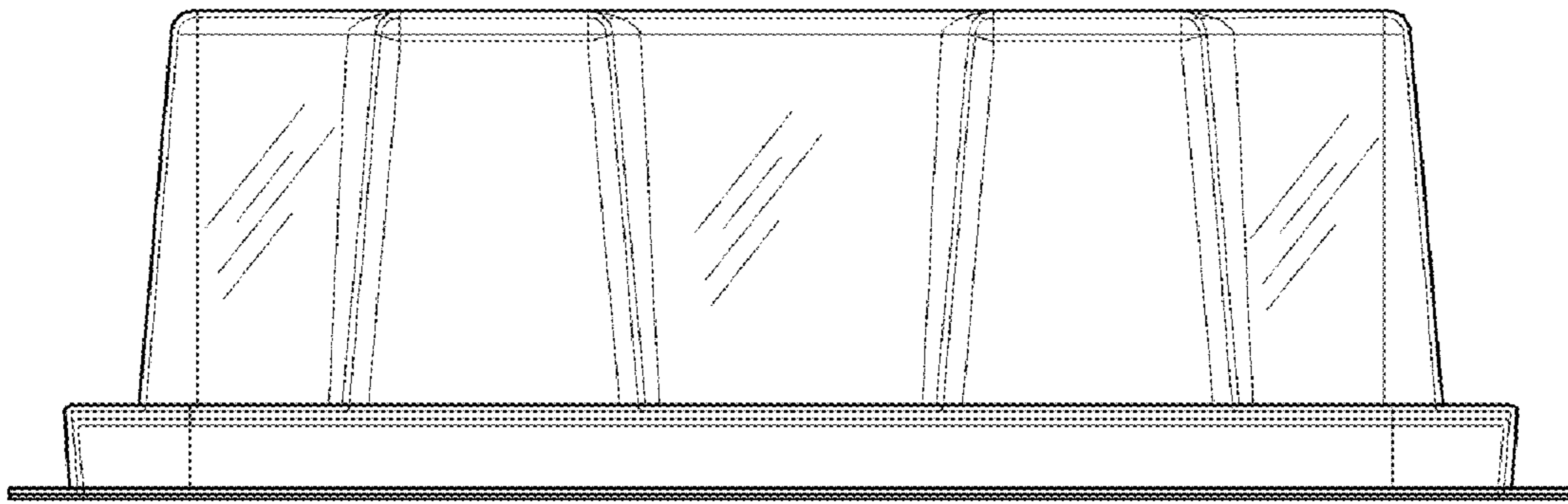
**FIG. 4**



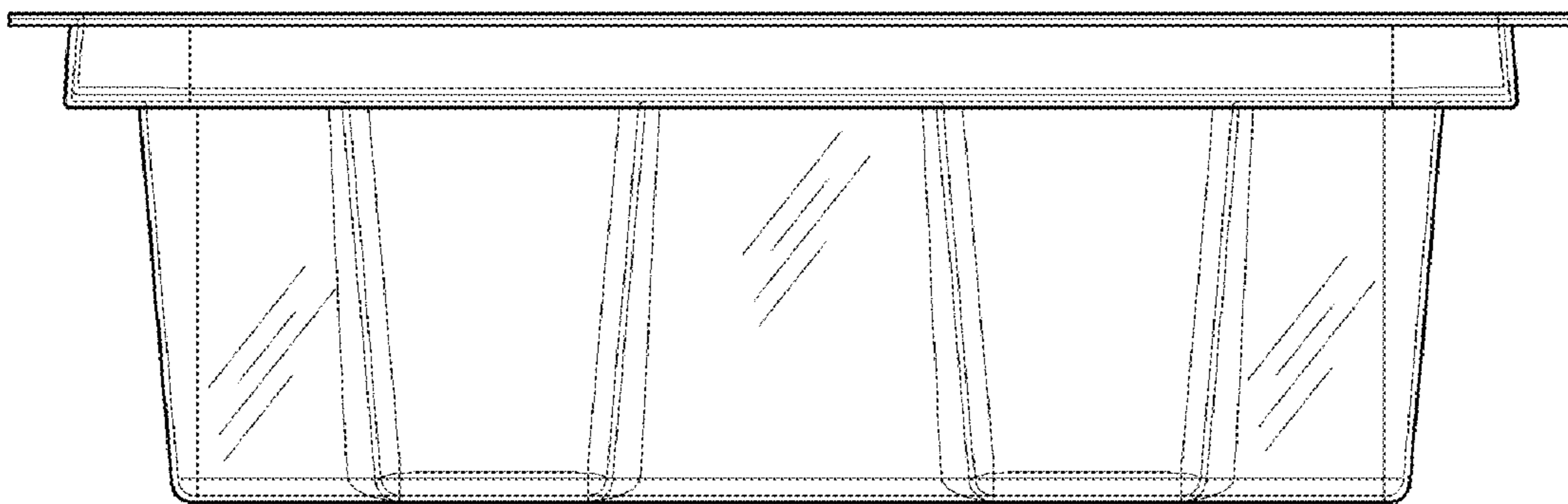
**FIG. 5**



**FIG. 6**



**FIG. 7**



**FIG. 8**