



US00D676947S

(12) **United States Design Patent**
Peede

(10) **Patent No.:** **US D676,947 S**

(45) **Date of Patent:** **** Feb. 26, 2013**

- (54) **SHOWER CURTAIN DEFLECTOR**
 - (76) Inventor: **Carl W. Peede**, Americus, GA (US)
 - (**) Term: **14 Years**
 - (21) Appl. No.: **29/385,892**
 - (22) Filed: **Feb. 22, 2011**
 - (51) **LOC (9) Cl.** **23-02**
 - (52) **U.S. Cl.** **D23/304**
 - (58) **Field of Classification Search** D23/304,
D23/307; 4/607-610
- See application file for complete search history.

5,809,589	A *	9/1998	Johnson	4/609
6,857,140	B1	2/2005	Broudy		
7,770,243	B1 *	8/2010	Wise	4/558
8,201,286	B1 *	6/2012	Parker	4/609
2008/0201839	A1	8/2008	Dalton		
2009/0056010	A1	3/2009	Jankiewicz		

* cited by examiner

Primary Examiner — Robert Delehanty
(74) *Attorney, Agent, or Firm* — QuickPatents; Kevin Prince

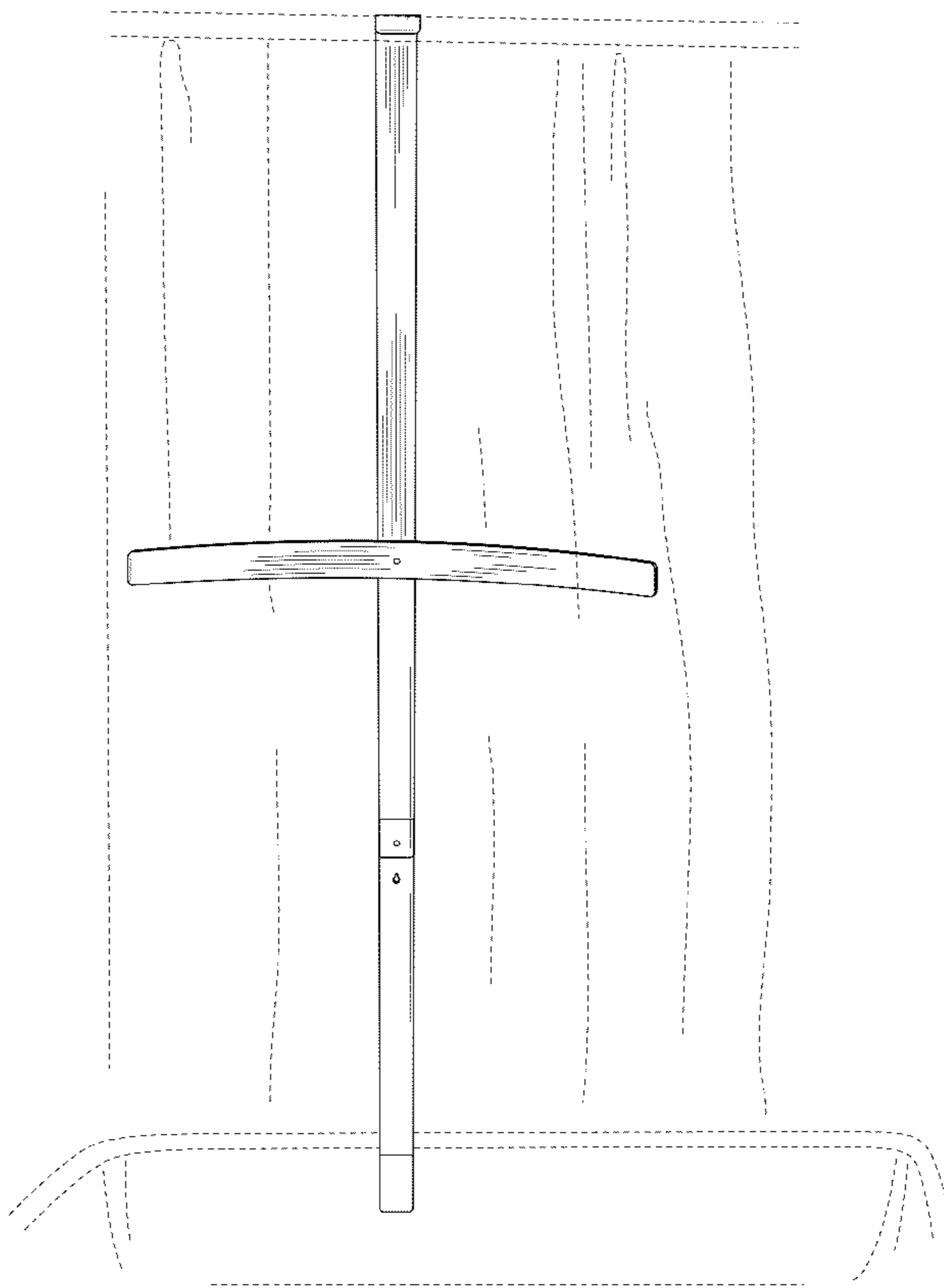
(57) **CLAIM**
I claim the ornamental design for a shower curtain deflector, as shown and described.

DESCRIPTION

FIG. 1 is a perspective view of a shower curtain deflector, showing my new design;
FIG. 2 is a front elevational view thereof;
FIG. 3 is a rear elevational view thereof;
FIG. 4 is a left-side elevational view thereof;
FIG. 5 is a right-side elevational view thereof;
FIG. 6 is a top plan view thereof; and,
FIG. 7 is a bottom plan view thereof.
The broken lines showing a shower curtain, rod and tub in FIG. 1 depict environmental matter and form no part of the claimed design.

1 Claim, 3 Drawing Sheets

- (56) **References Cited**
- U.S. PATENT DOCUMENTS
- | | | | | | |
|-----------|-----|---------|---------------|-------|---------|
| 1,443,753 | A * | 1/1923 | McClure | | 4/567 |
| 1,746,269 | A * | 2/1930 | Lupton et al. | | 211/123 |
| D102,447 | S * | 12/1936 | Sakier | | D23/305 |
| 2,261,142 | A * | 11/1941 | Davis | | 160/330 |
| 3,382,507 | A * | 5/1968 | Micheau | | 4/558 |
| 4,229,842 | A | 10/1980 | Gilmore | | |
| 4,496,059 | A * | 1/1985 | Leiter | | 4/610 |
| 5,103,531 | A * | 4/1992 | Perrotta | | 4/605 |
| 5,305,477 | A * | 4/1994 | Cochran | | 4/609 |
| 5,345,623 | A | 9/1994 | Dearman | | |
| 5,771,504 | A | 6/1998 | Steiner | | |



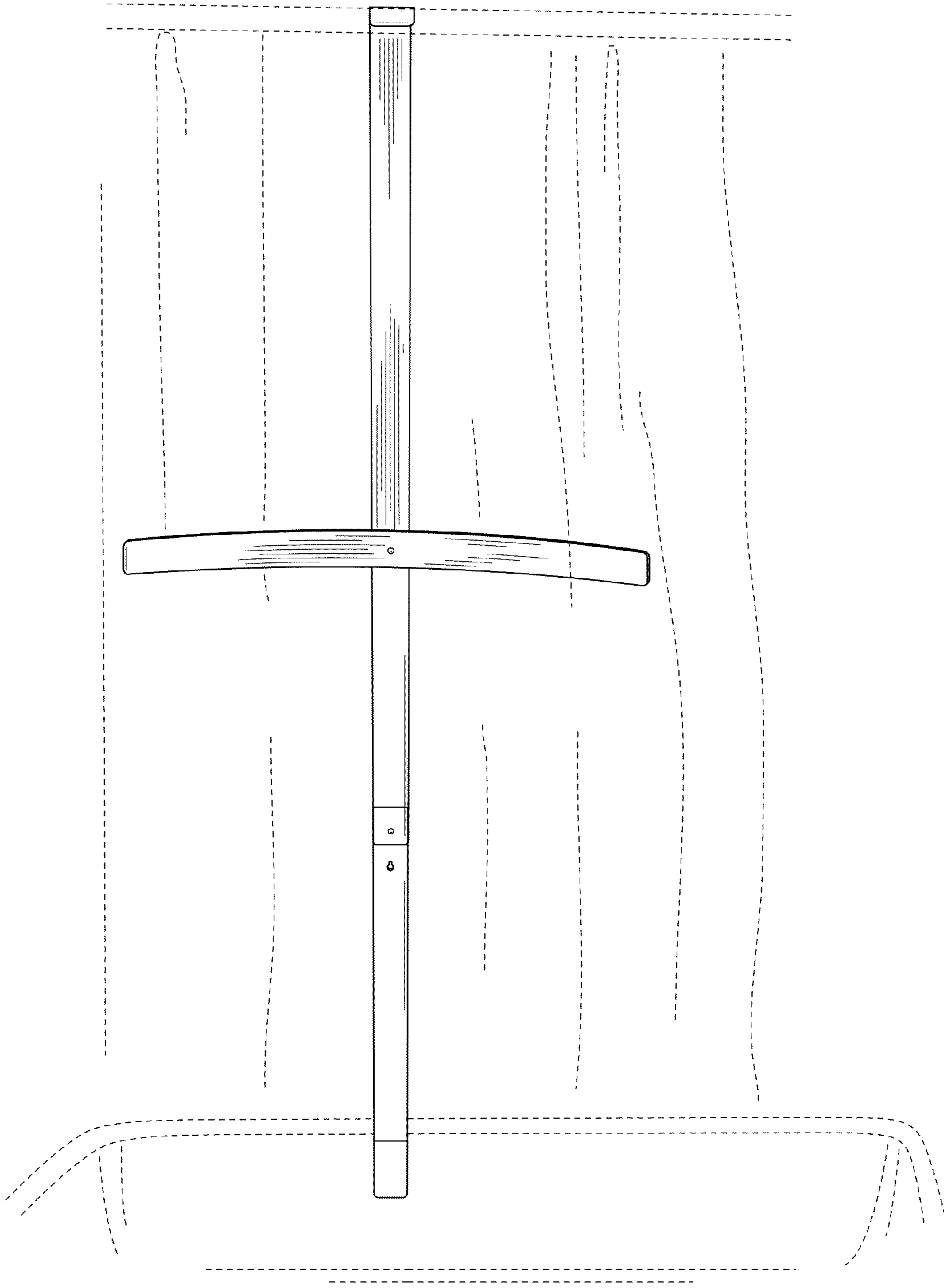


FIG. 1

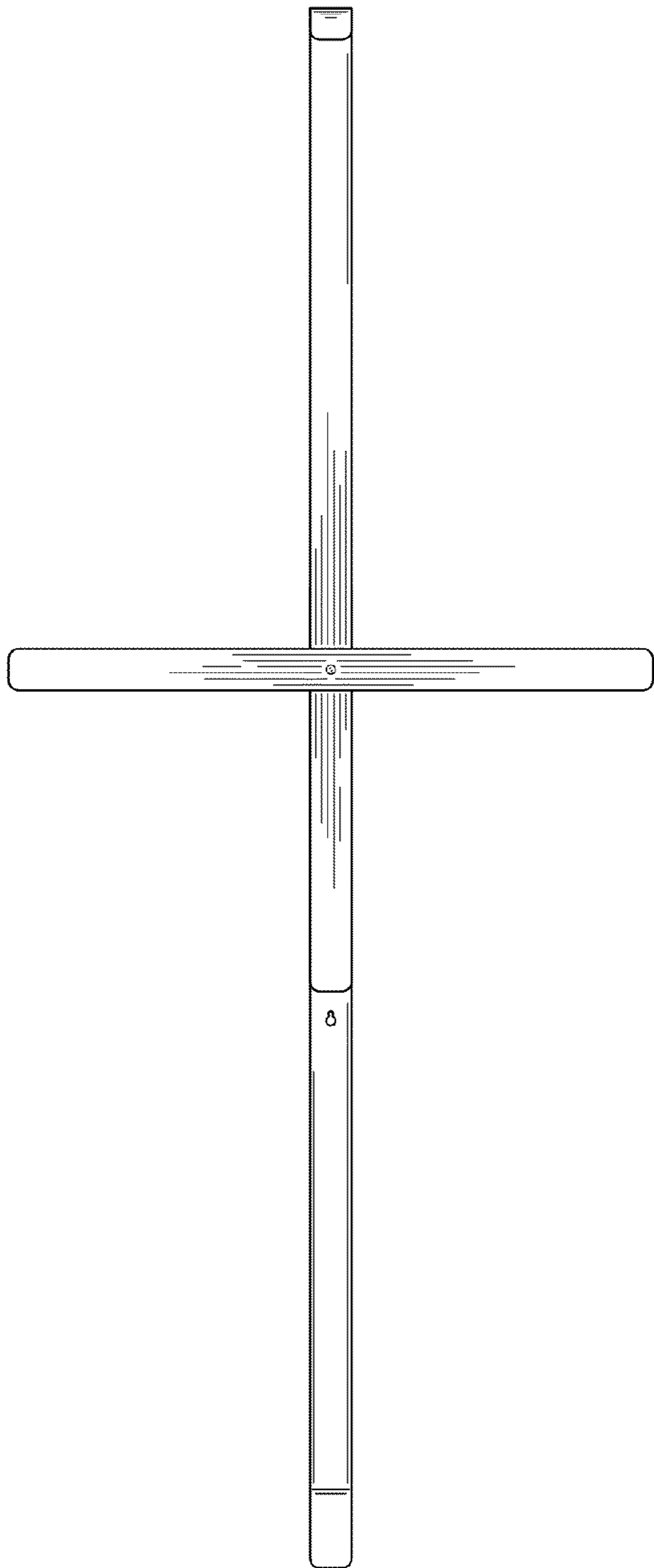


FIG. 2

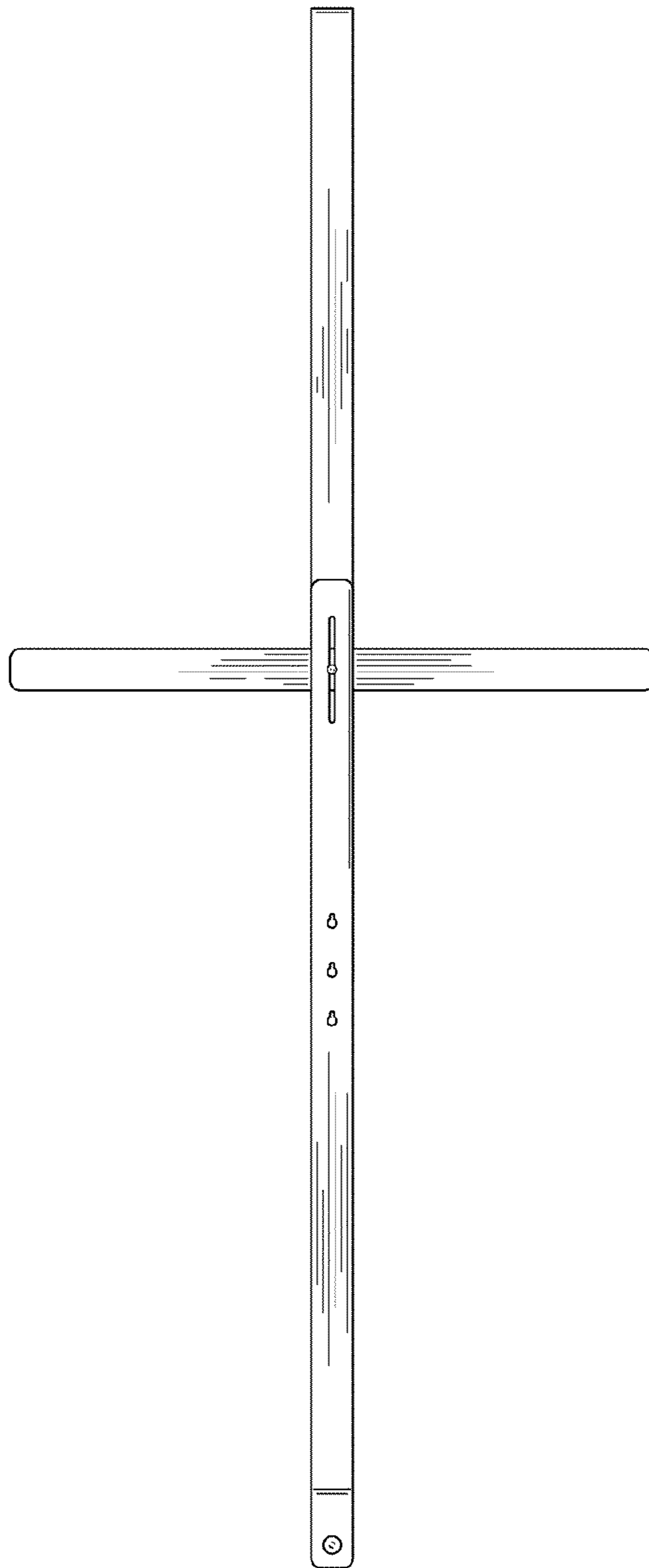


FIG. 3

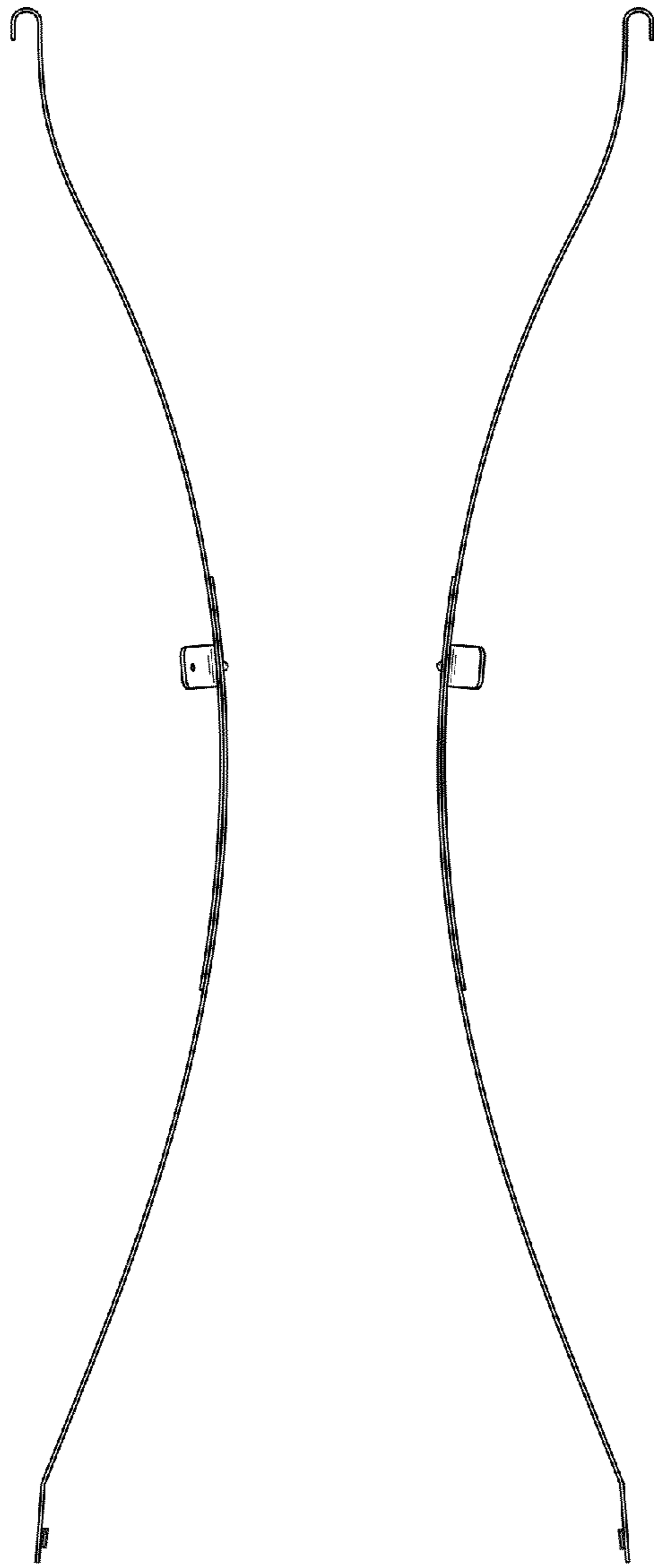


FIG. 4

FIG. 5

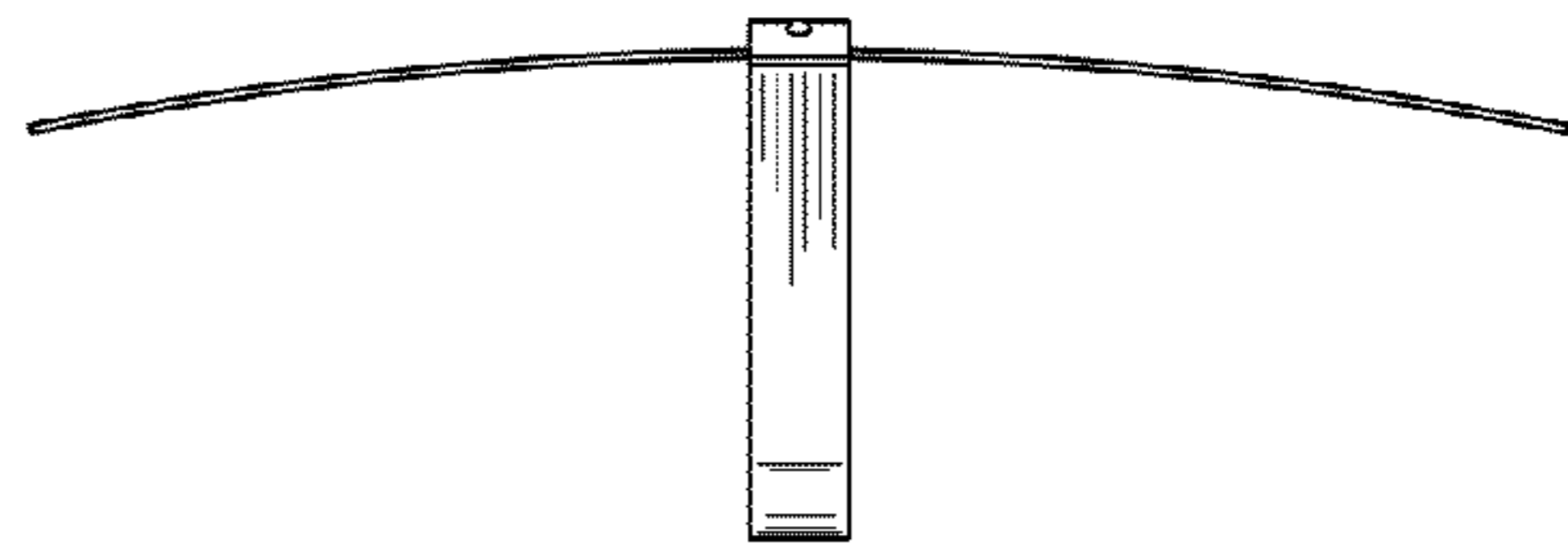


FIG. 6

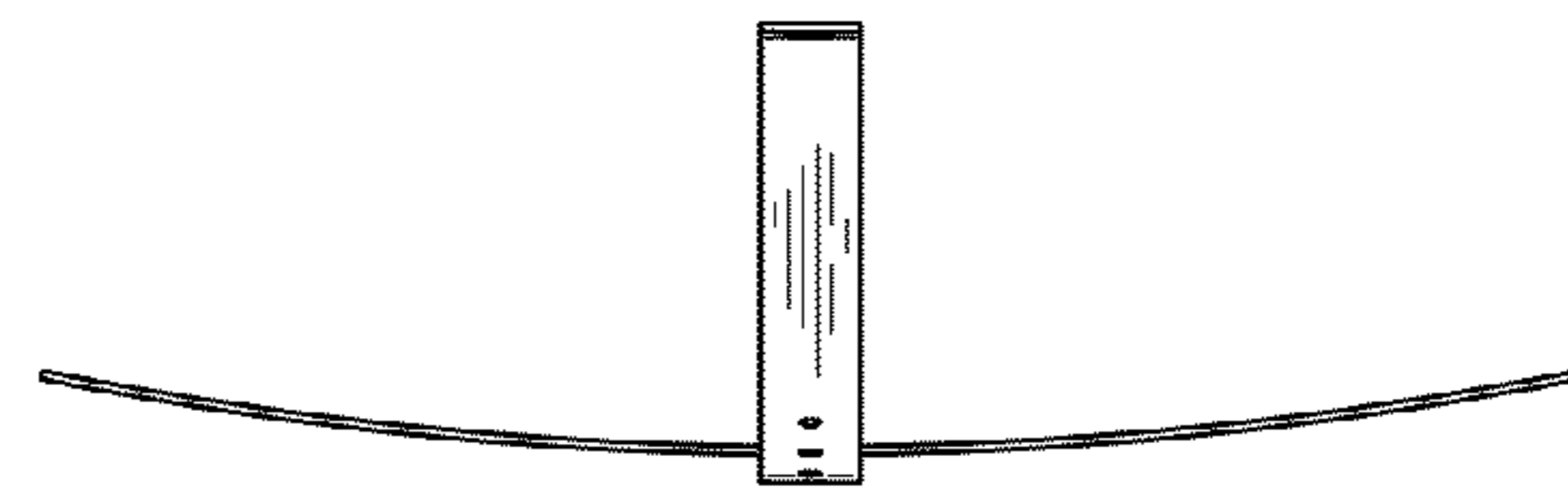


FIG. 7