



US00D676943S

(12) **United States Design Patent**
Kluss et al.

(10) **Patent No.:** **US D676,943 S**

(45) **Date of Patent:** **** Feb. 26, 2013**

(54) **PIPE END CAP**

(76) Inventors: **Bill Kluss**, Forest Lake (AU); **Greg Morwood**, Burnley (AU)

(**) Term: **14 Years**

(21) Appl. No.: **29/410,719**

(22) Filed: **Jan. 11, 2012**

(51) **LOC (9) Cl.** **23-01**

(52) **U.S. Cl.** **D23/262**

(58) **Field of Classification Search** D23/259,
D23/262, 260; 285/239, 458; 138/109, 110,
138/119, 134, 135; D8/397

See application file for complete search history.

(56) **References Cited**

U.S. PATENT DOCUMENTS

D270,935 S *	10/1983	Logsdon	D23/262
D296,816 S *	7/1988	Budzinski et al.	D23/263
D319,287 S *	8/1991	Baumstark et al.	D23/207
6,231,090 B1 *	5/2001	Fukao et al.	285/340
D452,343 S	12/2001	Pan		
D453,552 S *	2/2002	Sato et al.	D23/262
D483,094 S *	12/2003	Wilk et al.	D23/262
D483,095 S *	12/2003	Snyder et al.	D23/262
D483,441 S *	12/2003	Dole et al.	D23/262
D493,512 S *	7/2004	Dole et al.	D23/262

D495,404 S *	8/2004	Wilk et al.	D23/262
D517,665 S *	3/2006	Wilk et al.	D23/262
D524,427 S *	7/2006	Wilk et al.	D23/262
D559,362 S *	1/2008	Zeppetbauer	D23/262
D623,277 S *	9/2010	Guzzoni et al.	D23/262
D647,183 S	10/2011	Bertram		

* cited by examiner

Primary Examiner — Eric Goodman

(74) *Attorney, Agent, or Firm* — Kenneth M. Bush; Gerald M. Walsh; Bush Intellectual Property Law

(57) **CLAIM**

We claim the ornamental design for a pipe end cap, as shown and described.

DESCRIPTION

FIG. 1 is a front, right, perspective view of a pipe end cap showing our new design;

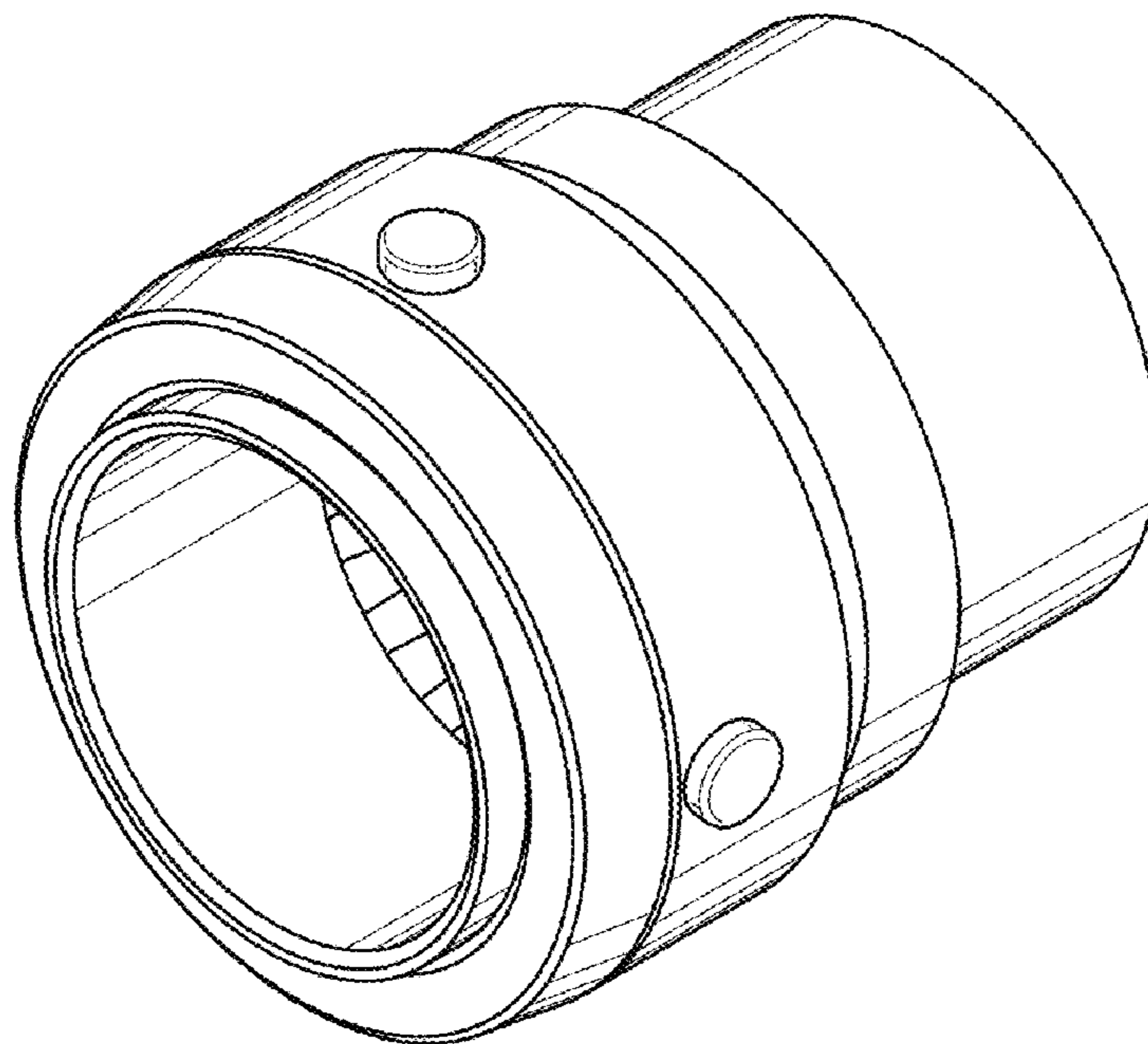
FIG. 2 is a front elevational view thereof;

FIG. 3 is a rear elevational view thereof; and,

FIG. 4 is a right side elevational view thereof, the left side elevational view, the top plan view, and the bottom plan view being identical thereto.

In the drawings, the broken line showing is to illustrate portions of the article and form no part of the claimed design.

1 Claim, 2 Drawing Sheets



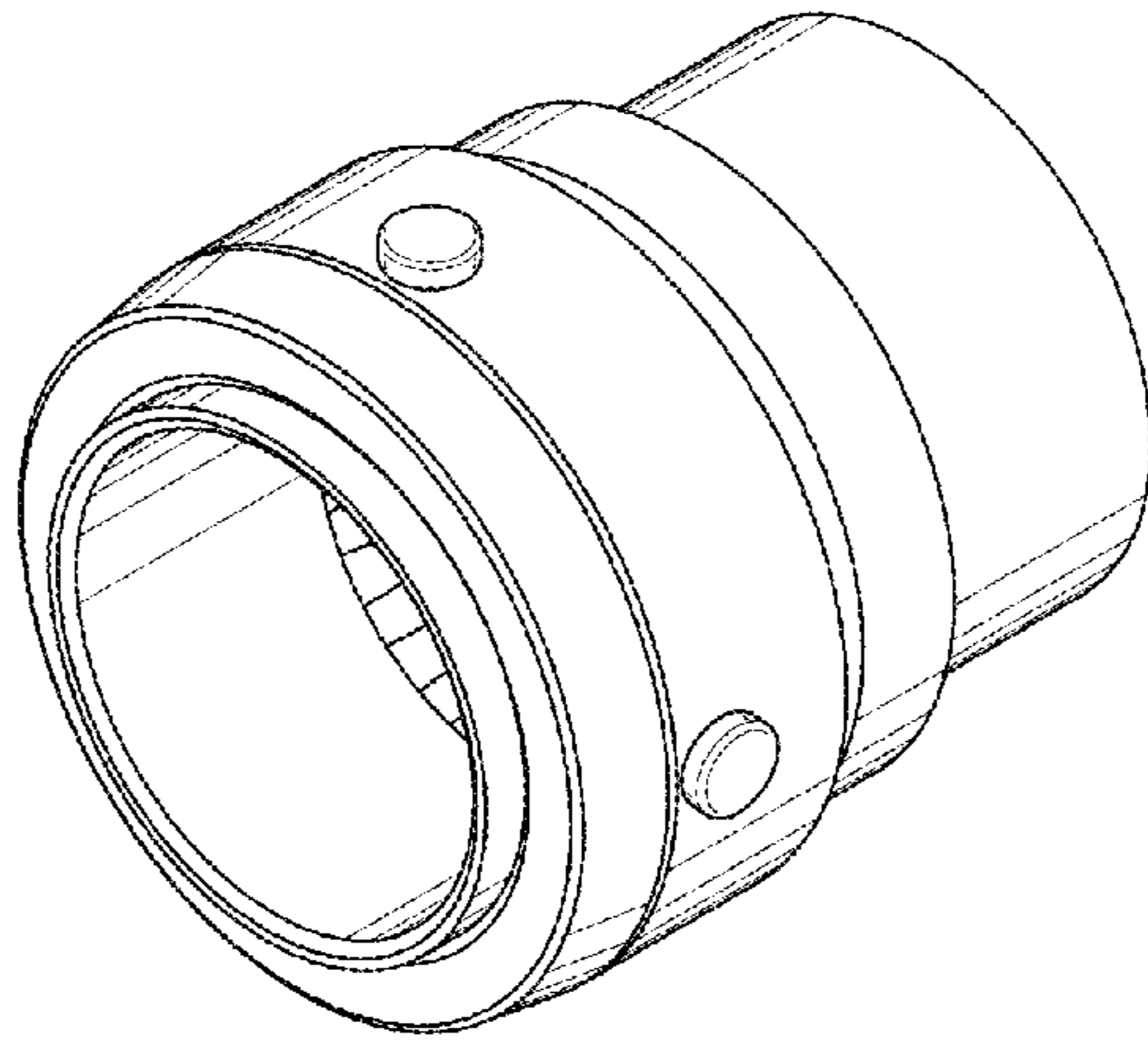


FIG. 1

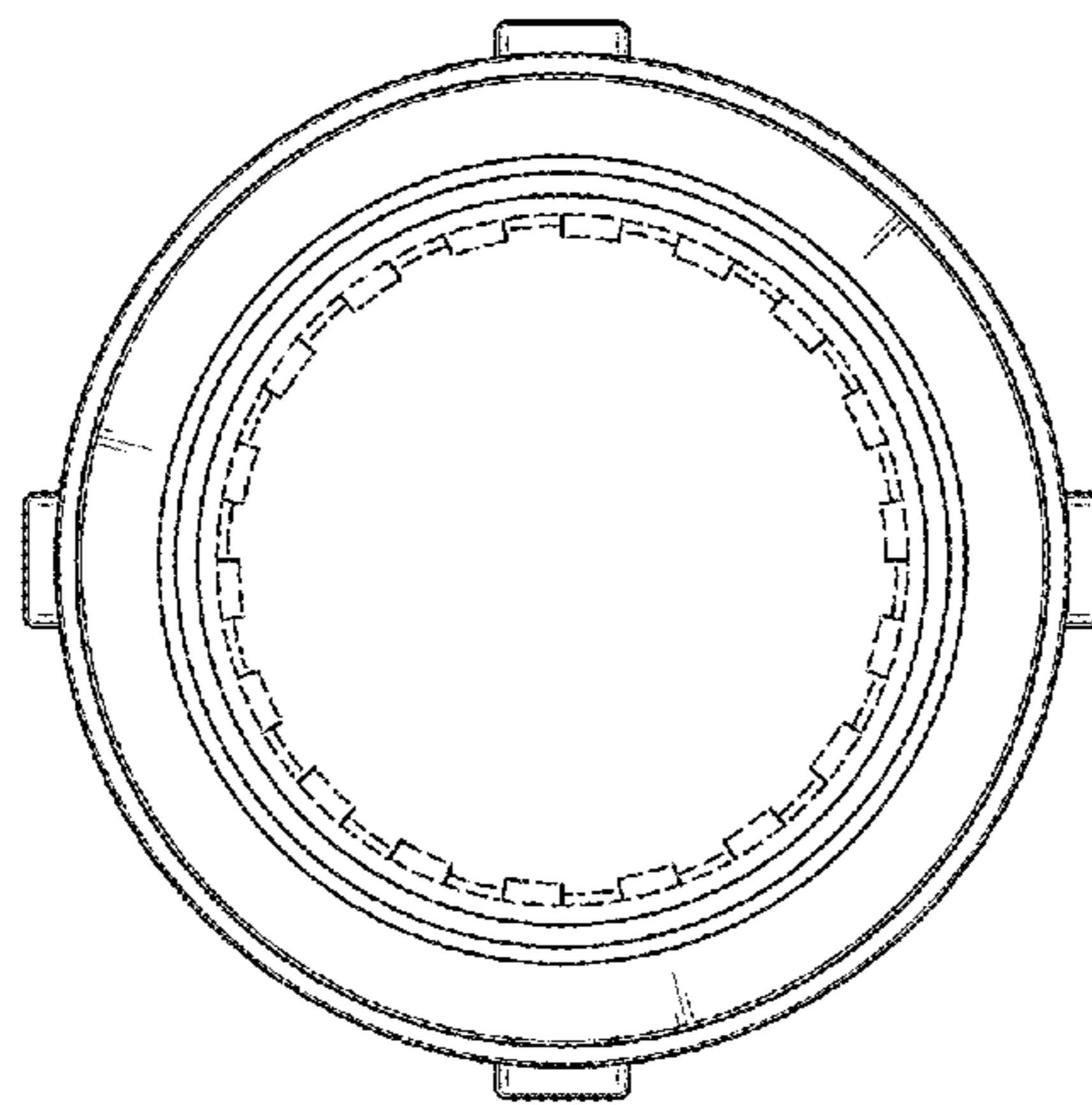


FIG. 2

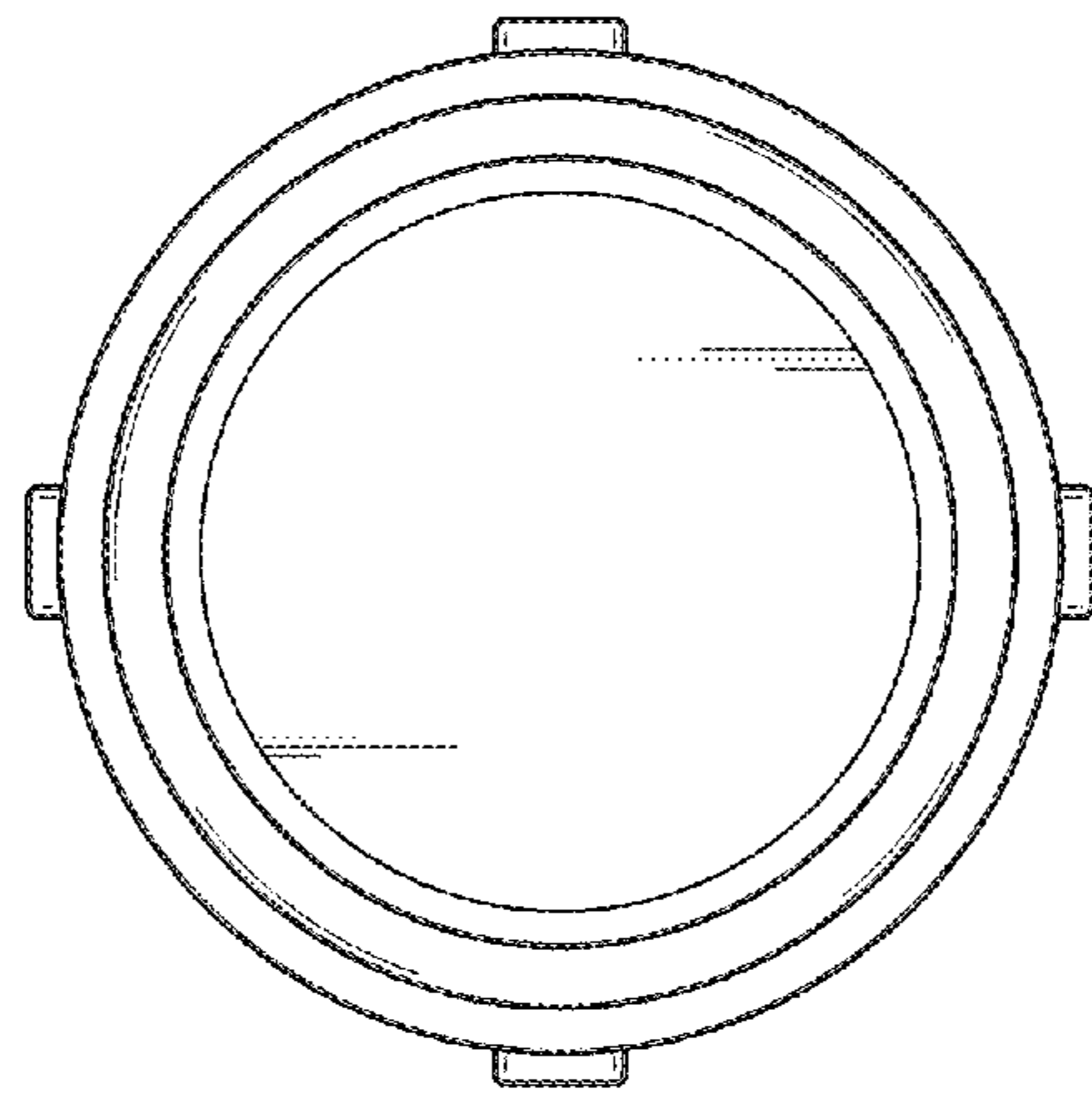


FIG. 3

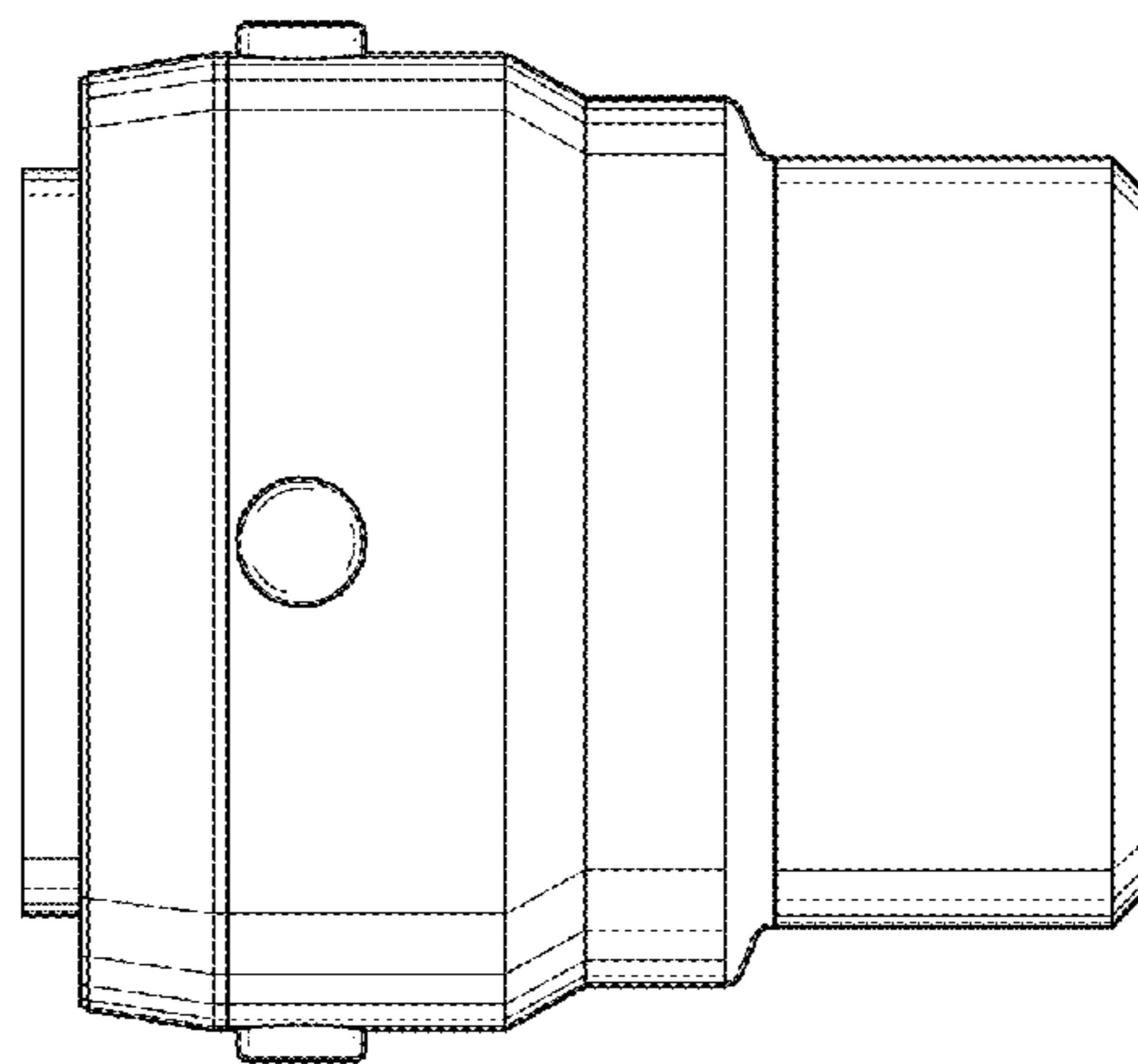


FIG. 4