



US00D676942S

(12) **United States Design Patent**
Kluss et al.

(10) **Patent No.:** **US D676,942 S**

(45) **Date of Patent:** **** Feb. 26, 2013**

(54) **TEE PIPE COUPLING**

(76) Inventors: **Bill Kluss**, Forest Lake (AU); **Greg Morwood**, Burnley (AU)

(**) Term: **14 Years**

(21) Appl. No.: **29/410,708**

(22) Filed: **Jan. 11, 2012**

(51) **LOC (9) Cl.** **23-01**

(52) **U.S. Cl.** **D23/262**

(58) **Field of Classification Search** D23/259,
D23/262; 285/369, 372, 373, 417, 133.11,
285/133.3, 133.21, 133.4–133.6

See application file for complete search history.

(56) **References Cited**

U.S. PATENT DOCUMENTS

1,650,737	A *	11/1927	Quinn	285/47
D135,633	S *	5/1943	Stark	D23/263
D163,487	S *	5/1951	Schustack	D23/263
3,825,288	A *	7/1974	Maroschak	285/133.6
4,504,086	A *	3/1985	Carrow	285/133.5
5,090,743	A *	2/1992	Obering	285/133.21
D389,562	S *	1/1998	Picton	D23/263
6,193,879	B1 *	2/2001	Bowman	210/153
6,202,284	B1 *	3/2001	Joblin	29/516
D480,786	S	10/2003	Wilk, Jr. et al.		

D481,109	S	10/2003	Dole et al.	
D481,110	S	10/2003	Snyder, Sr. et al.	
D516,686	S	3/2006	Wilk, Jr. et al.	
D517,176	S *	3/2006	Wilk et al. D23/262
7,686,346	B1 *	3/2010	Buccicone et al. 285/133.21
D630,305	S *	1/2011	Adams et al. D23/259

* cited by examiner

Primary Examiner — Eric Goodman

(74) *Attorney, Agent, or Firm* — Kenneth M. Bush; Gerald M. Walsh; Bush Intellectual Property Law

(57) **CLAIM**

We claim the ornamental design for a tee pipe coupling, as shown and described.

DESCRIPTION

FIG. 1 is a front, right, perspective view of a tee pipe coupling showing our new design;

FIG. 2 is a front elevational view thereof, the rear elevational view being identical thereto;

FIG. 3 is a right side elevational view thereof;

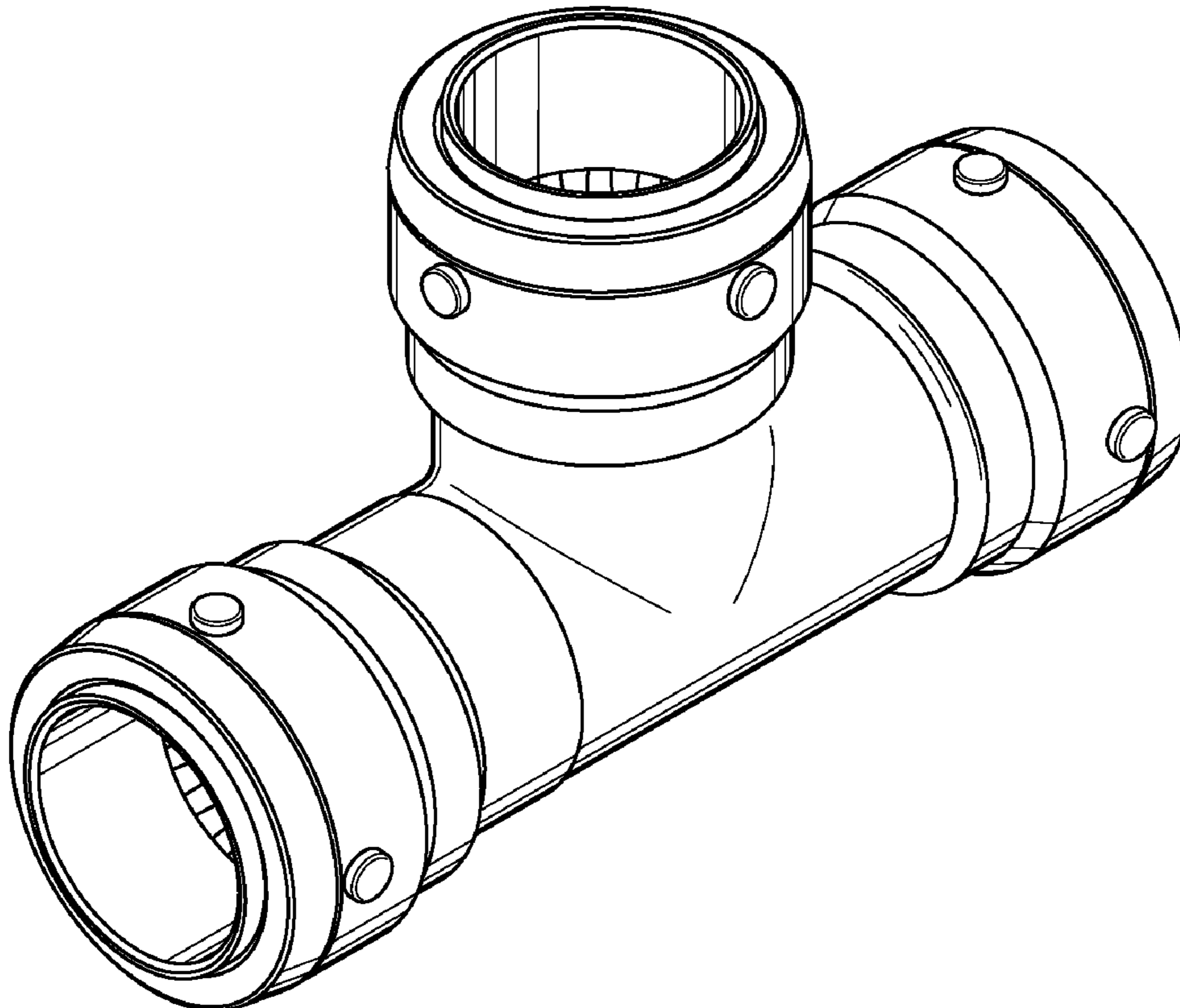
FIG. 4 is a left side elevational view thereof;

FIG. 5 is a top plan view thereof; and,

FIG. 6 is a bottom plan view thereof.

In the drawings, the broken line showing is to illustrate portions of the article and form no part of the claimed design.

1 Claim, 4 Drawing Sheets



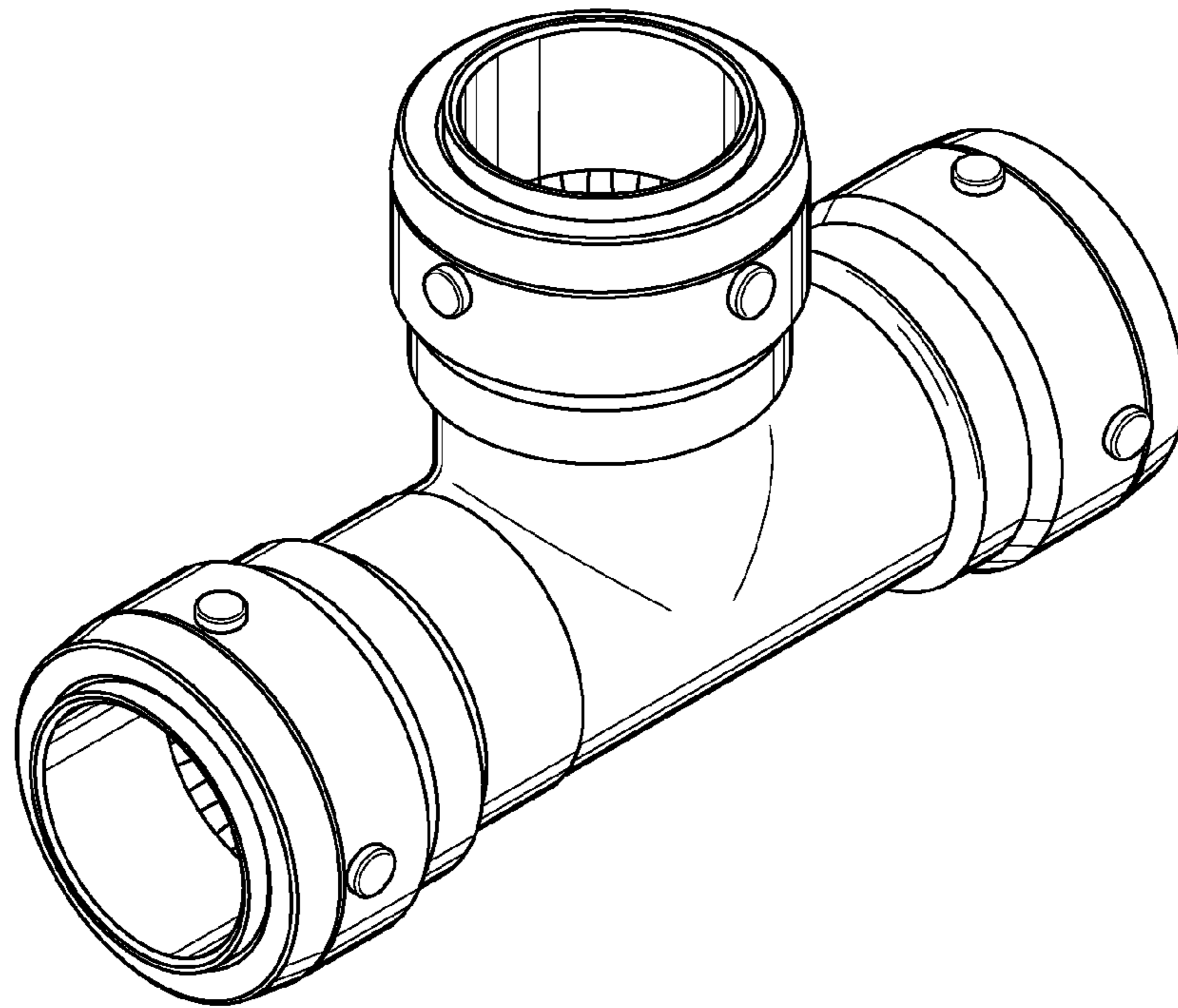


FIG. 1

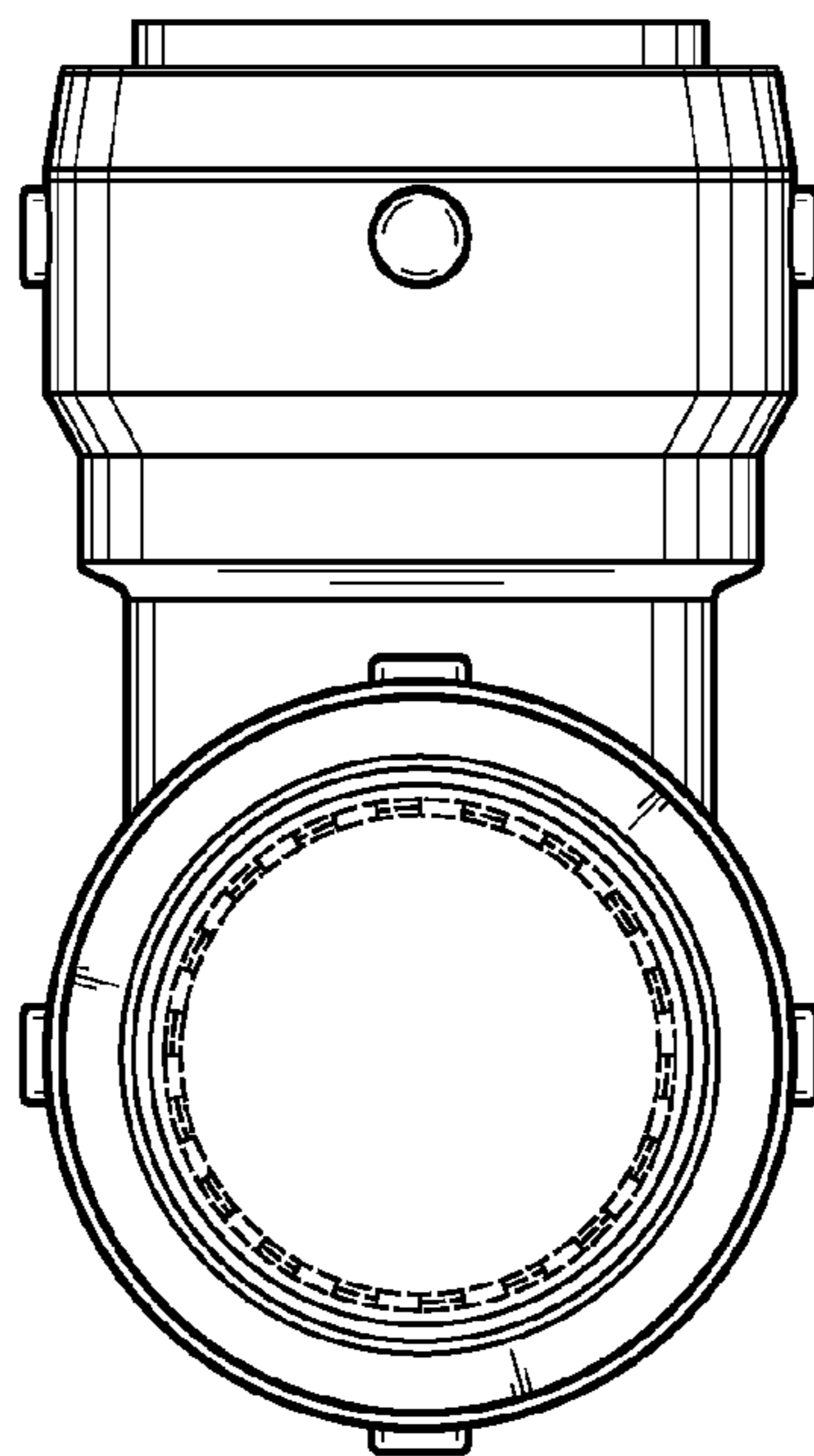


FIG. 2

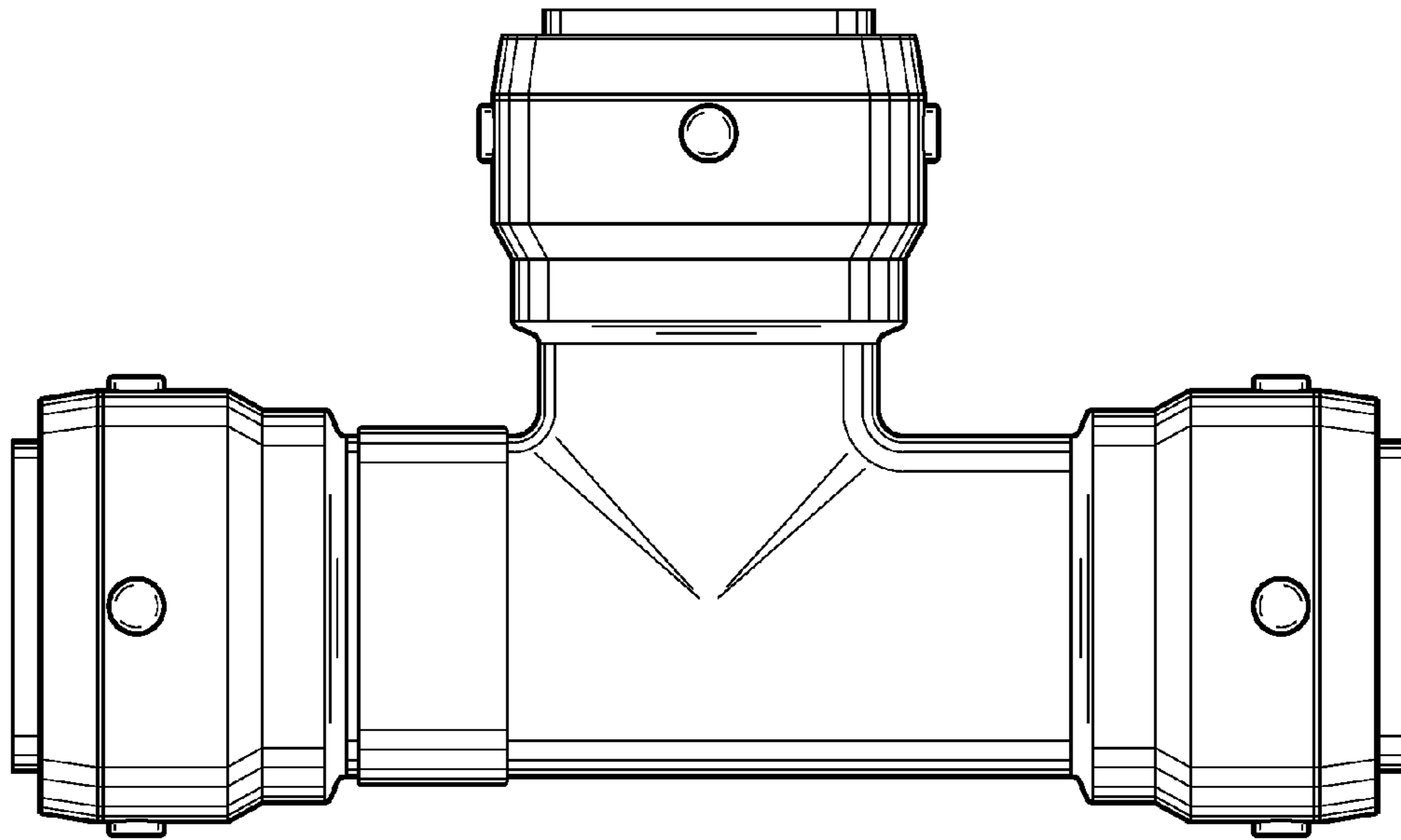


FIG. 3

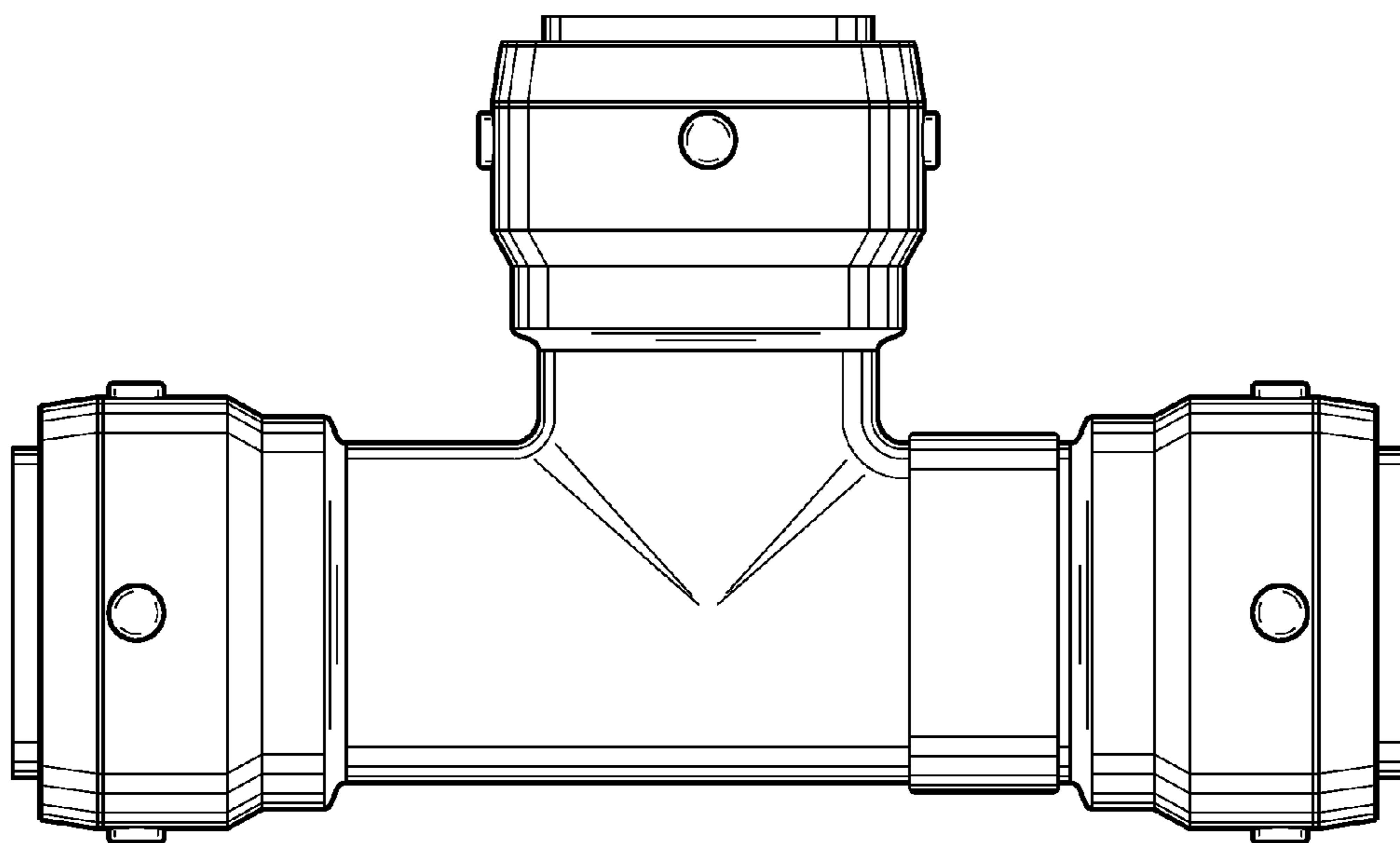


FIG. 4

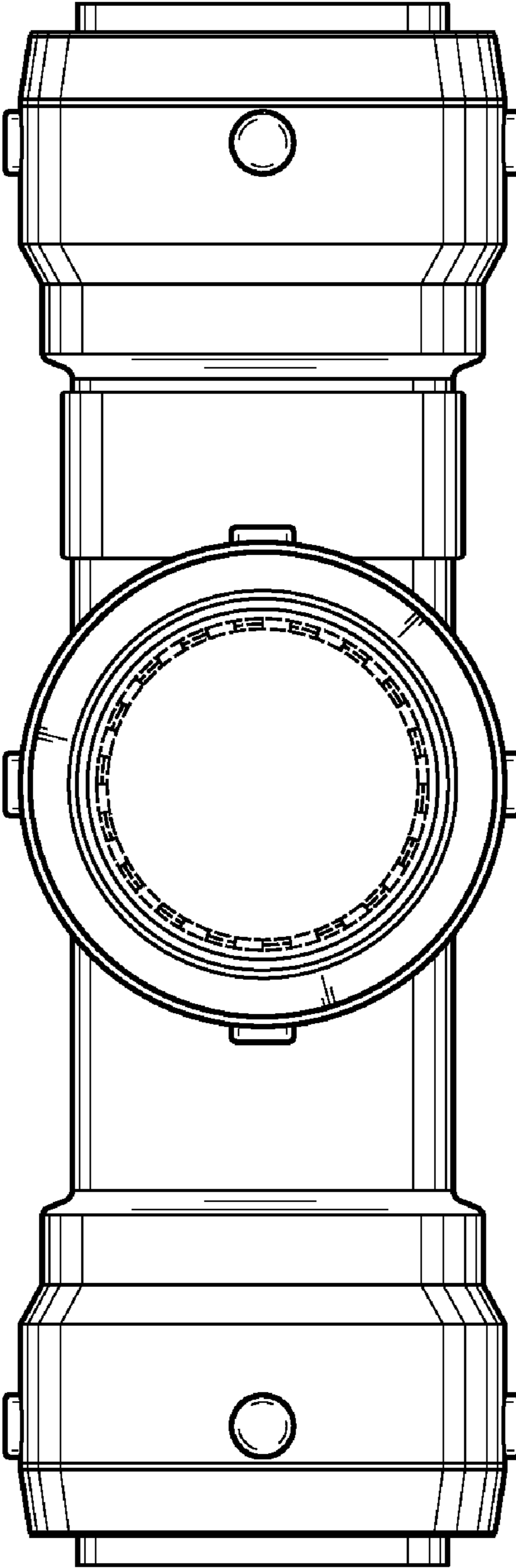


FIG. 5

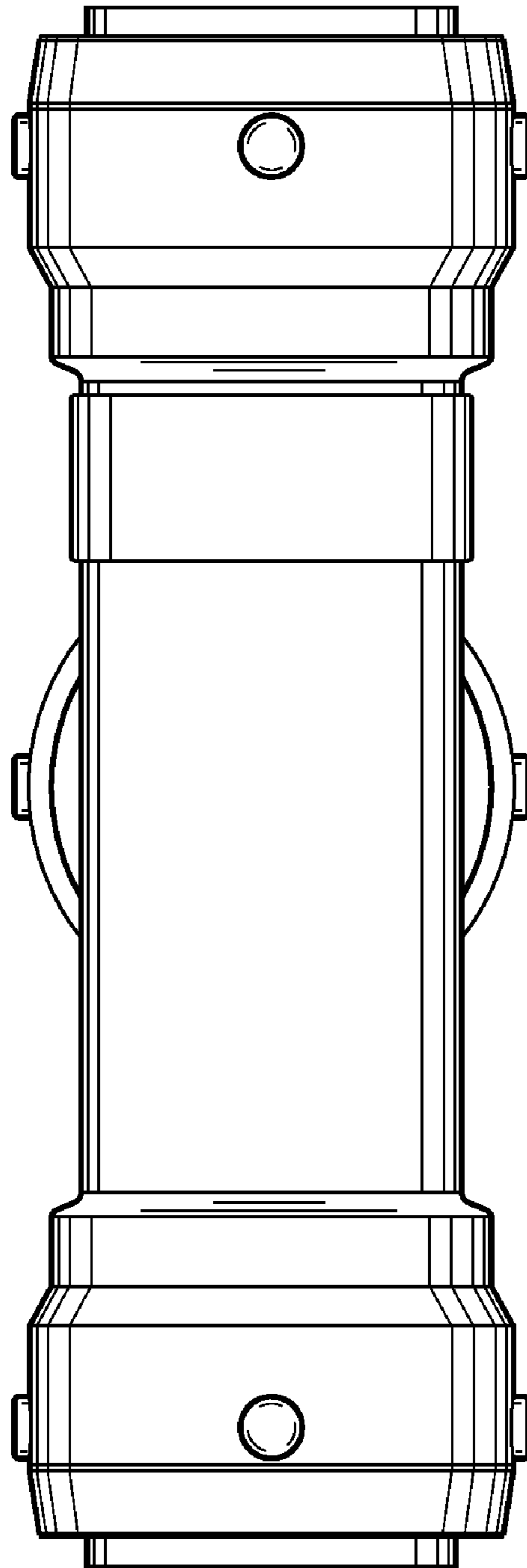


FIG. 6