



US00D676941S

(12) **United States Design Patent**
Kluss et al.

(10) **Patent No.:** **US D676,941 S**

(45) **Date of Patent:** **** Feb. 26, 2013**

(54) **ELBOW PIPE COUPLING**

(76) Inventors: **Bill Kluss**, Forest Lake (AU); **Greg Morwood**, Burnley (AU)

(**) Term: **14 Years**

(21) Appl. No.: **29/410,707**

(22) Filed: **Jan. 11, 2012**

(51) **LOC (9) Cl.** **23-01**

(52) **U.S. Cl.** **D23/262**

(58) **Field of Classification Search** D23/259,
D23/262, 263; 285/369, 372, 373, 417, 133.11,
285/133.3, 133.21, 133.4–133.6, 179

See application file for complete search history.

(56) **References Cited**

U.S. PATENT DOCUMENTS

899,638	A *	9/1908	Vibber	285/149.1
1,897,079	A *	2/1933	Smith	219/104
D132,939	S *	6/1942	Corley	D23/263
D135,634	S *	5/1943	Stark et al.	D23/263
2,374,815	A *	5/1945	Haas, Jr.	138/161
D166,650	S *	4/1952	Warren	D23/263
D291,481	S *	8/1987	Vassallo et al.	D23/263
D296,816	S *	7/1988	Budzinski et al.	D23/263
D354,801	S *	1/1995	Grant et al.	D23/263
5,524,674	A *	6/1996	Platusich et al.	138/113
5,971,438	A *	10/1999	Johnson	285/12

D480,787	S *	10/2003	Wilk et al.	D23/263
D481,447	S *	10/2003	Dole et al.	D23/263
D482,103	S *	11/2003	Snyder et al.	D23/263
D517,666	S *	3/2006	Wilk et al.	D23/262
D523,123	S *	6/2006	Wilk et al.	D23/262
D606,388	S *	12/2009	Werschmidt	D8/382
D627,863	S *	11/2010	Ball	D23/262

* cited by examiner

Primary Examiner — Eric Goodman

(74) *Attorney, Agent, or Firm* — Kenneth M. Bush; Gerald M. Walsh; Bush Intellectual Property Law

(57) **CLAIM**

We claim the ornamental design for an elbow pipe coupling, as shown and described.

DESCRIPTION

FIG. 1 is a front, right, perspective view of an elbow pipe coupling showing our new design;

FIG. 2 is a front elevational view thereof;

FIG. 3 is a rear elevational view thereof;

FIG. 4 is a top plan view thereof;

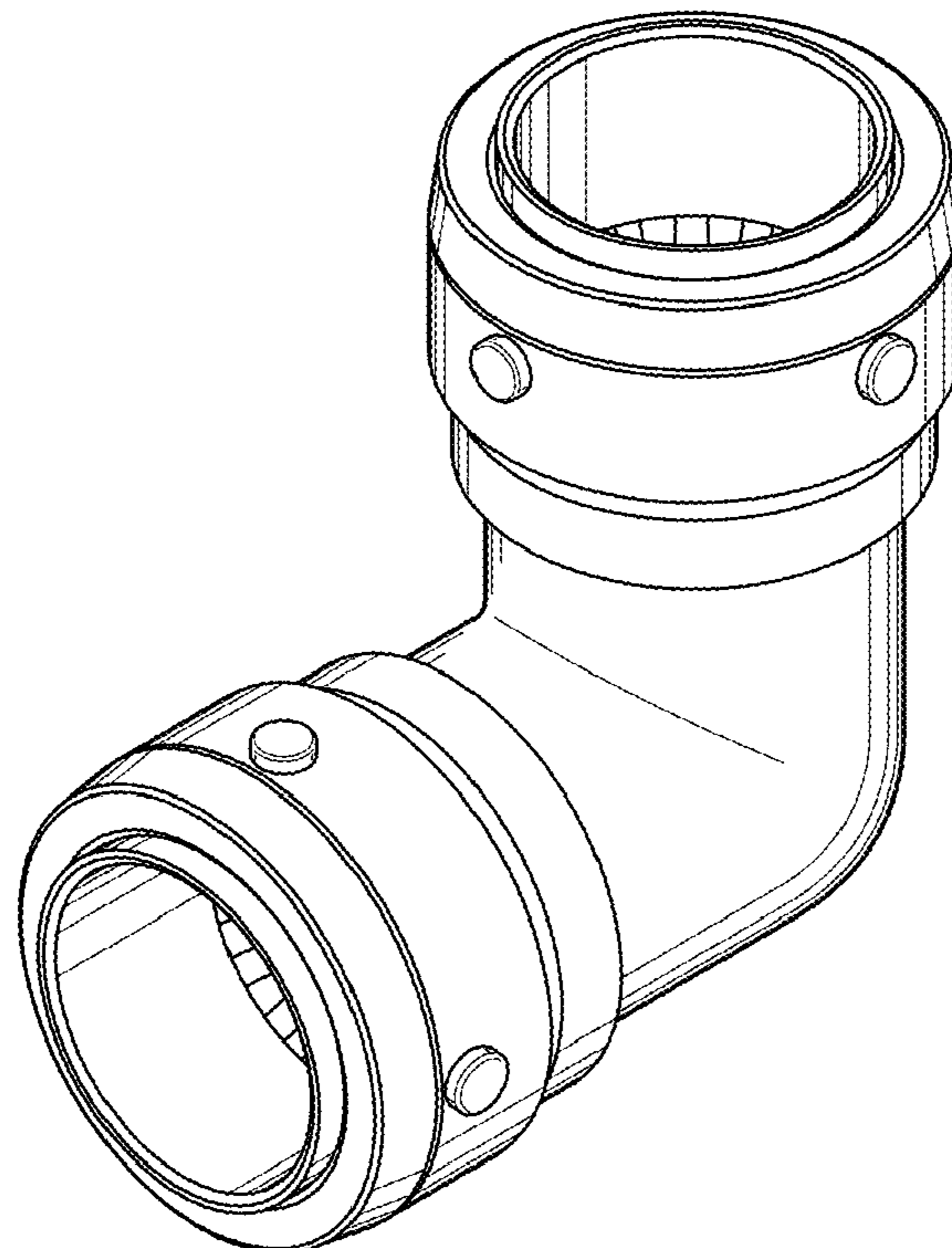
FIG. 5 is a bottom plan view thereof;

FIG. 6 is a right side elevational view thereof; and,

FIG. 7 is a left side elevational view thereof.

In the drawings, the broken line showing is to illustrate portions of the article and form no part of the claimed design.

1 Claim, 4 Drawing Sheets



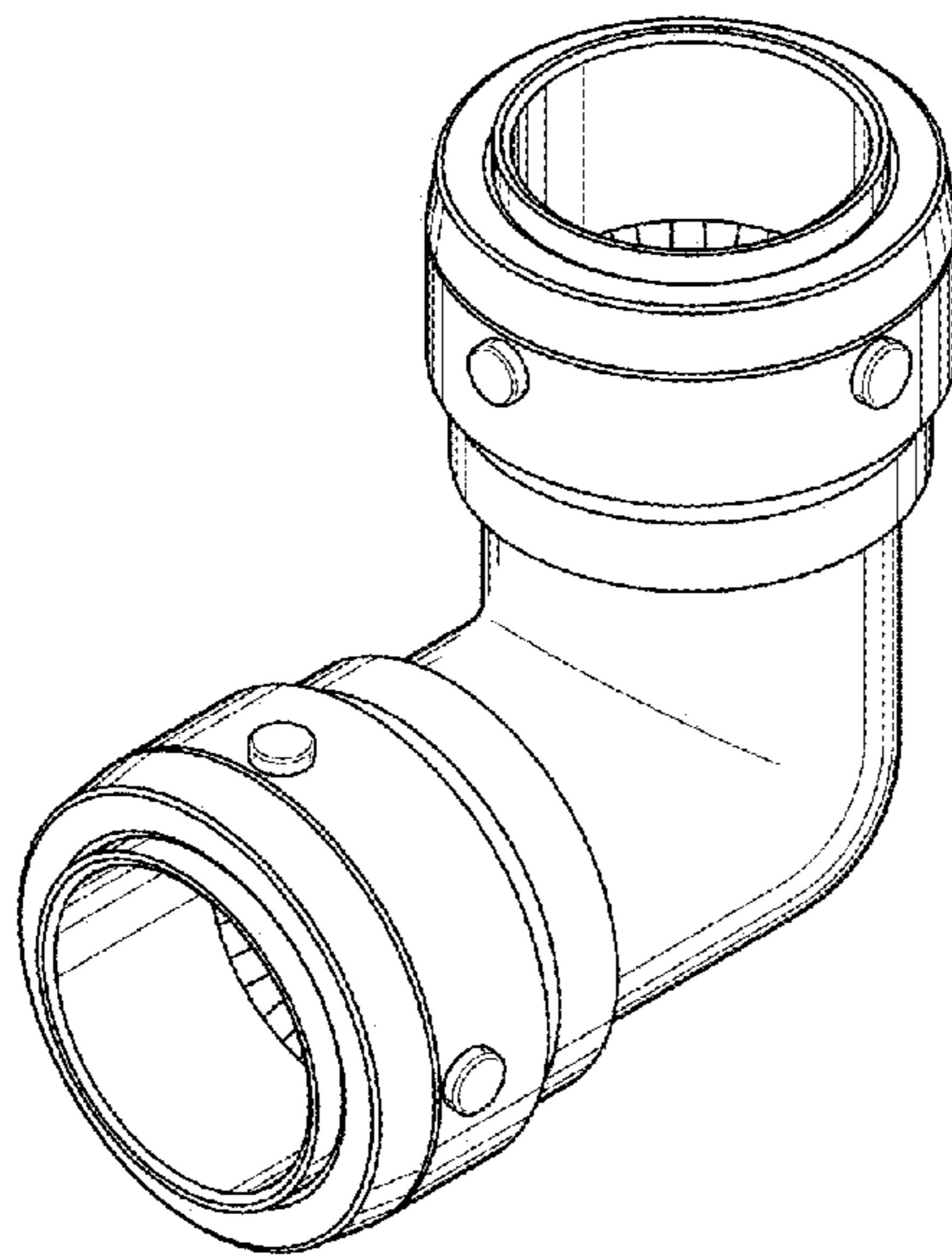


FIG. 1

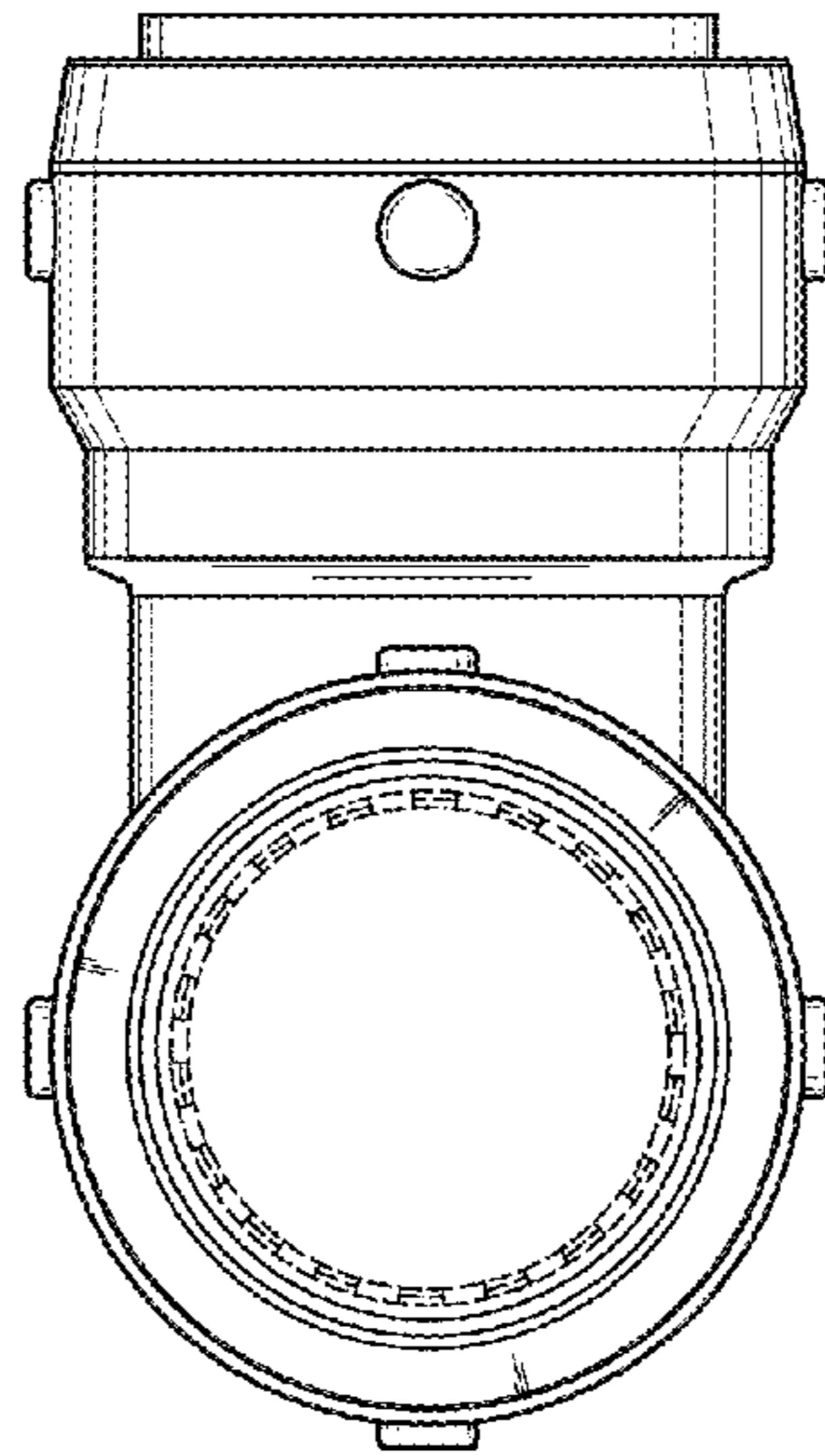


FIG. 2

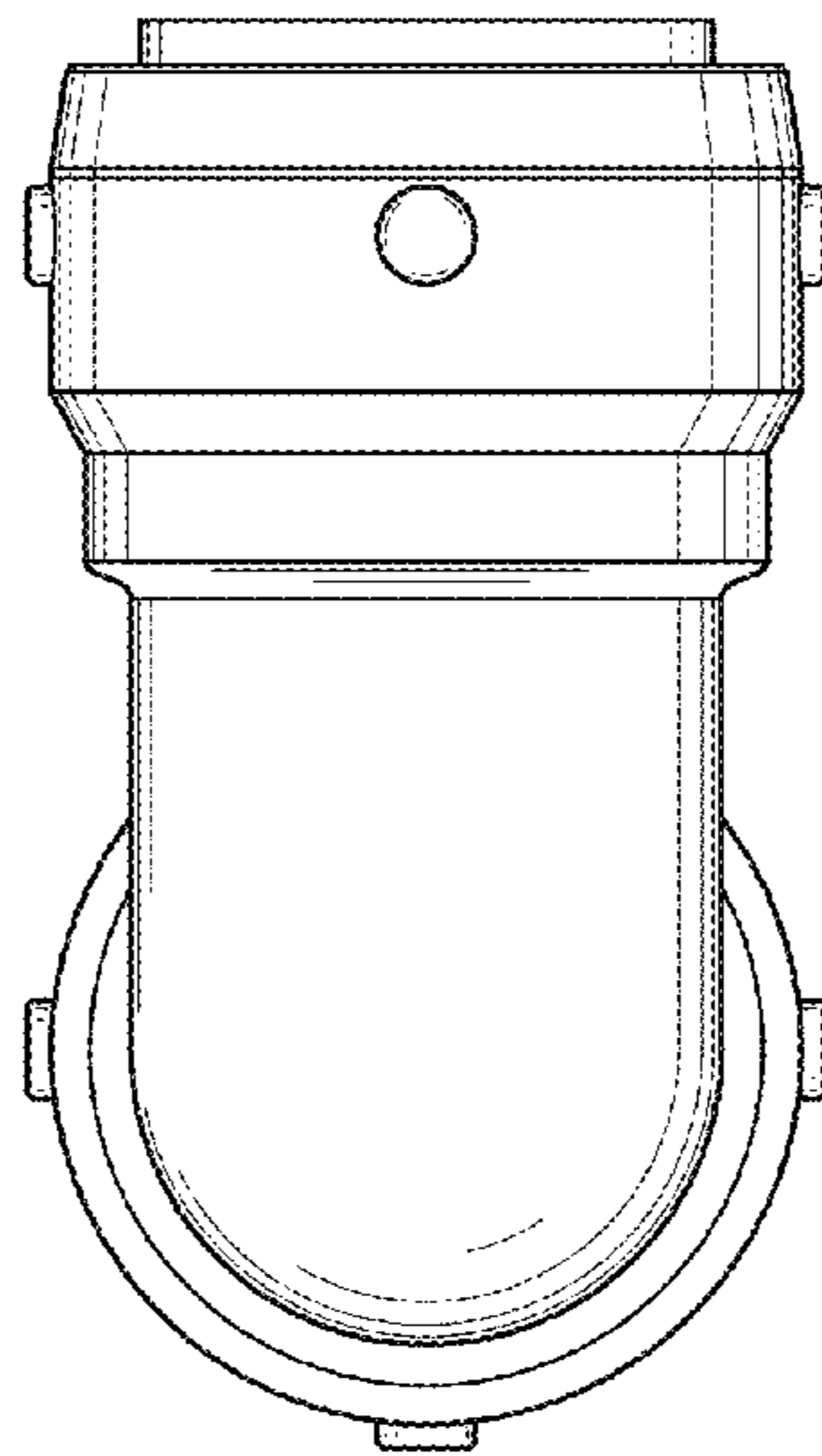


FIG. 3

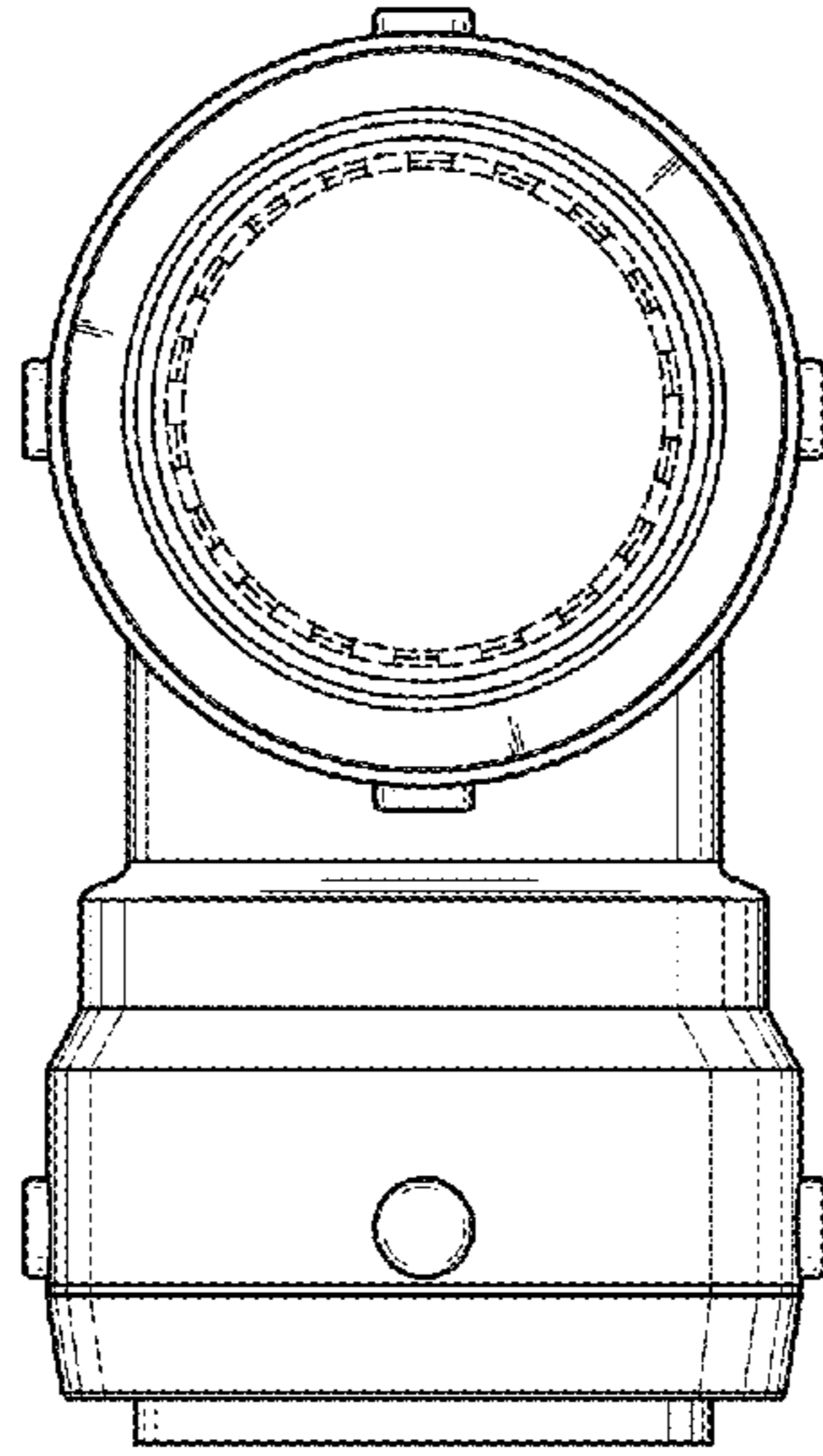


FIG. 4

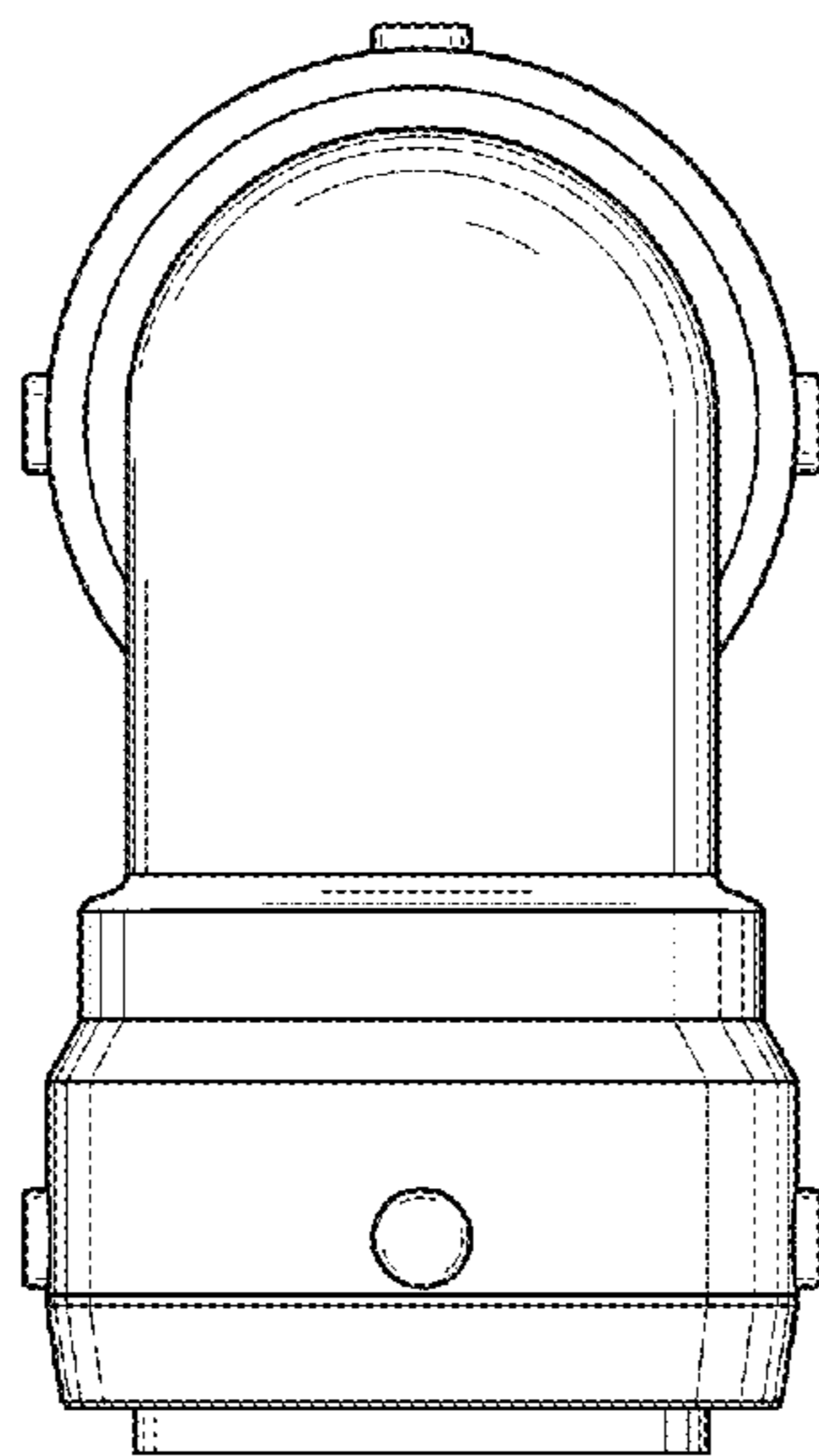


FIG. 5

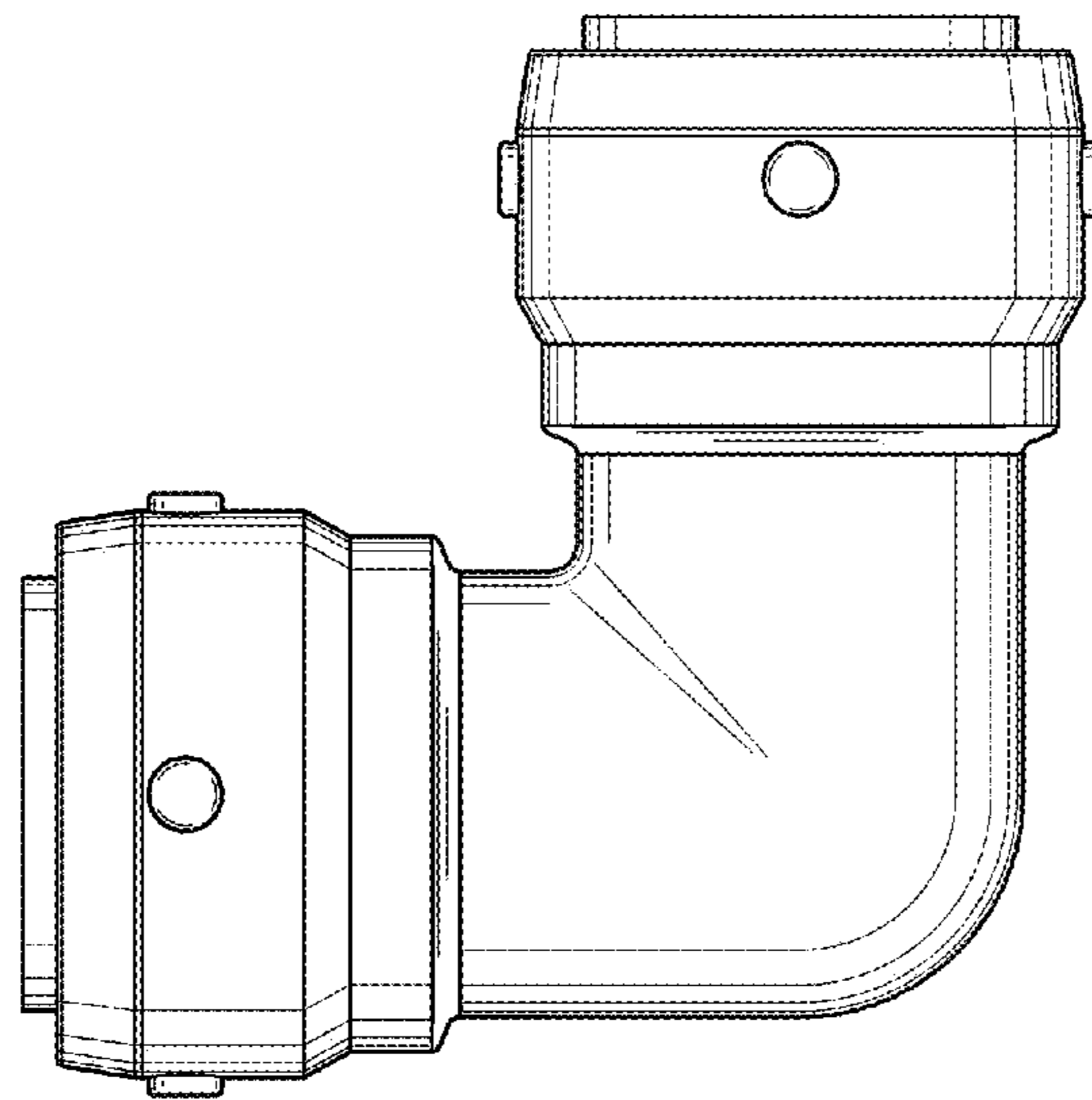


FIG. 6

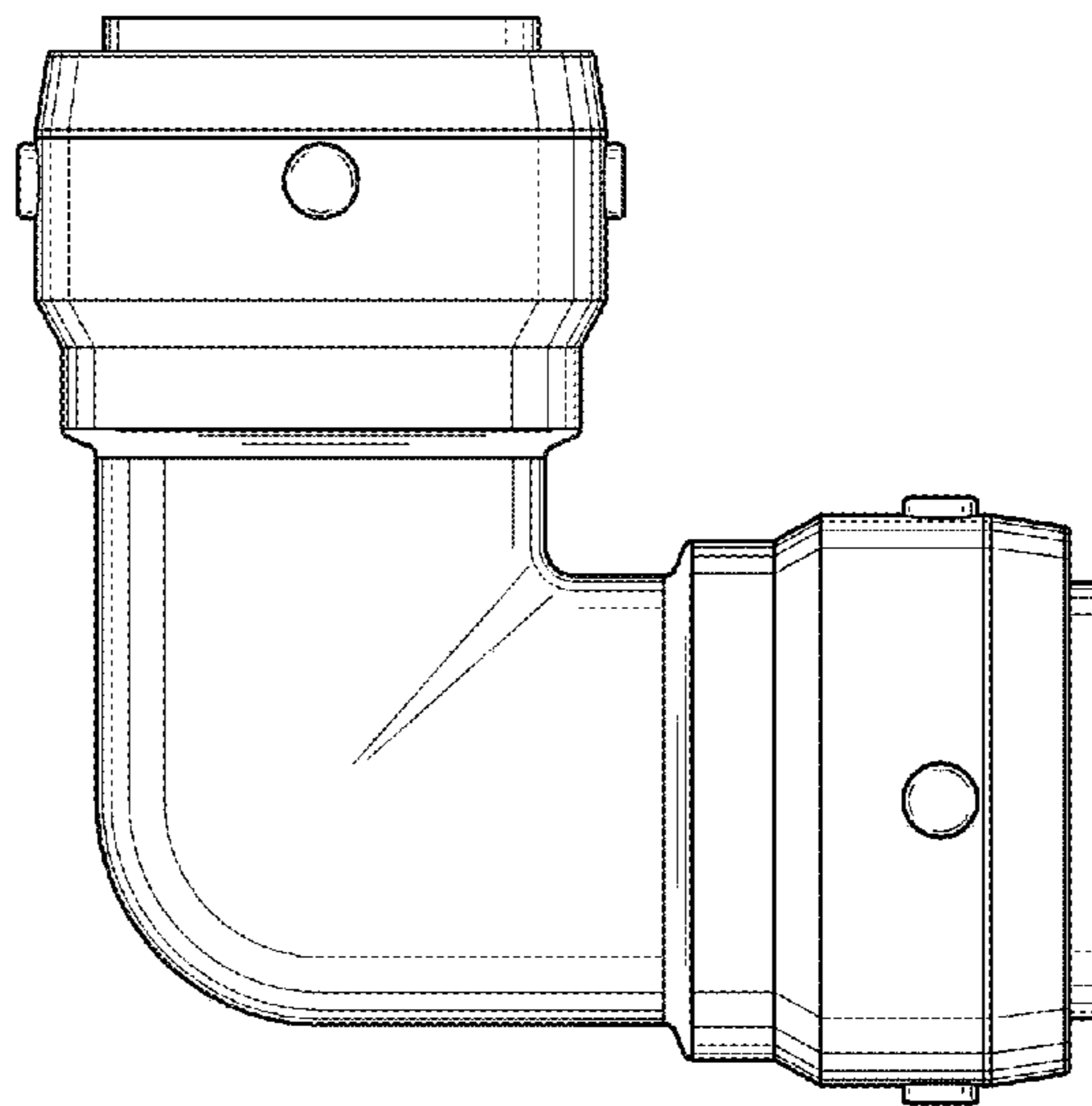


FIG. 7