



US00D676938S

(12) **United States Design Patent**
Kwok

(10) **Patent No.:** **US D676,938 S**

(45) **Date of Patent:** **** Feb. 26, 2013**

(54) **FAUCET HANDLE**

(75) Inventor: **Celine Kwok**, Indianapolis, IN (US)

(73) Assignee: **Masco Corporation of Indiana**,
Indianapolis, IN (US)

(**) Term: **14 Years**

(21) Appl. No.: **29/418,069**

(22) Filed: **Apr. 12, 2012**

(51) **LOC (9) Cl.** **23-01**

(52) **U.S. Cl.** **D23/252**

(58) **Field of Classification Search** D23/238-243,
D23/250, 252, 254, 249, 245; 4/675-678;
137/801

See application file for complete search history.

(56) **References Cited**

U.S. PATENT DOCUMENTS

D513,062 S *	12/2005	Panis	D23/249
D542,383 S *	5/2007	Chu	D23/241
D576,709 S *	9/2008	Fritz	D23/238

* cited by examiner

Primary Examiner — Robert Delehanty

(74) *Attorney, Agent, or Firm* — Edgar A. Zarins; Nirav D. Parikh; Lora J. Graentzdoerffer

(57) **CLAIM**

The ornamental design for a faucet handle, as shown and described.

DESCRIPTION

FIG. 1 is a perspective view of a faucet handle showing my new design;

FIG. 2 is a first end view thereof;

FIG. 3 is a second end view thereof;

FIG. 4 is a top plan view thereof;

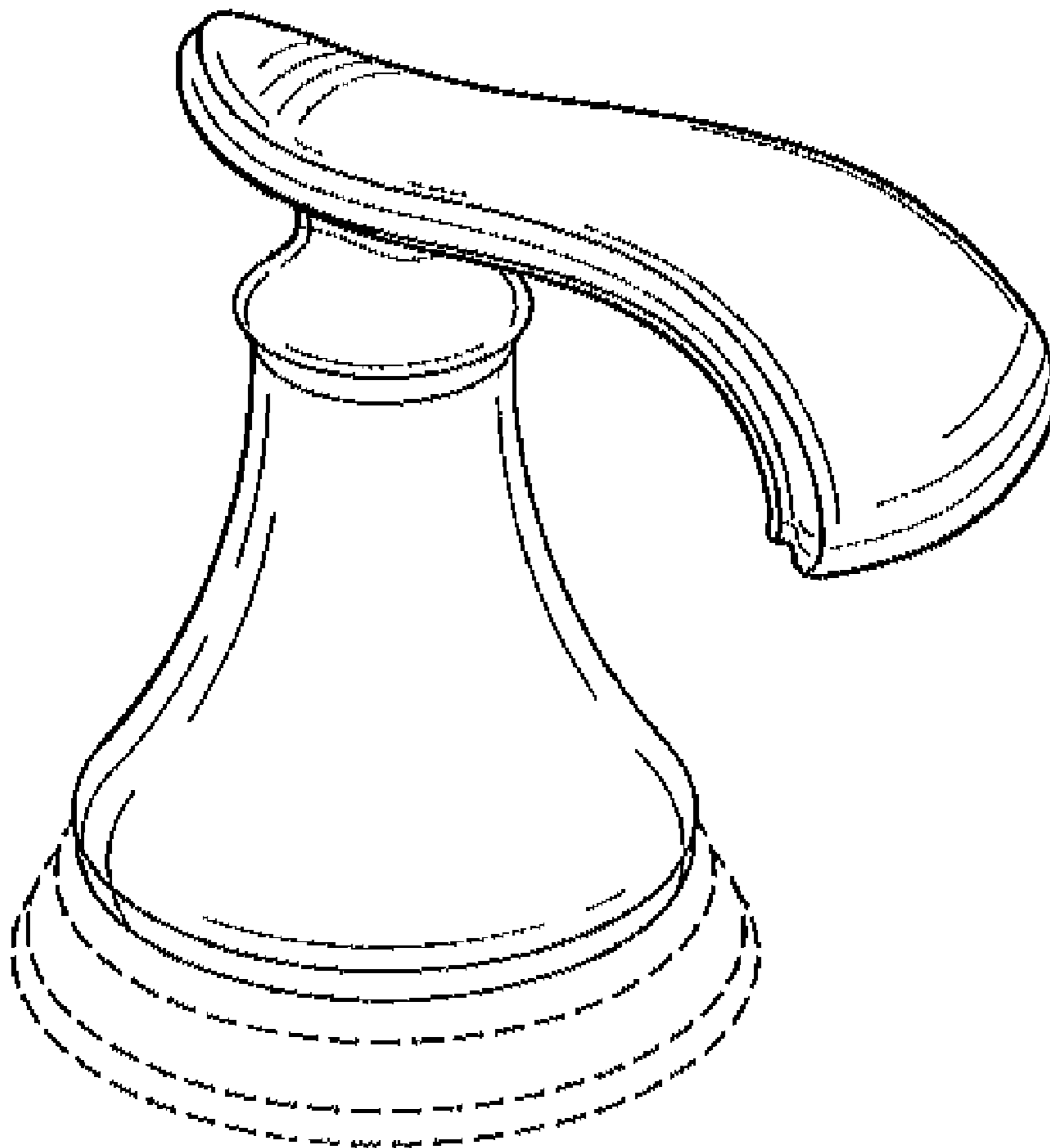
FIG. 5 is a first side view thereof;

FIG. 6 is a second side view thereof; and,

FIG. 7 is a bottom view thereof.

The broken lines showing unclaimed matter are included for the purpose of illustrating a portion of the handle that forms no part of the claimed design.

1 Claim, 2 Drawing Sheets



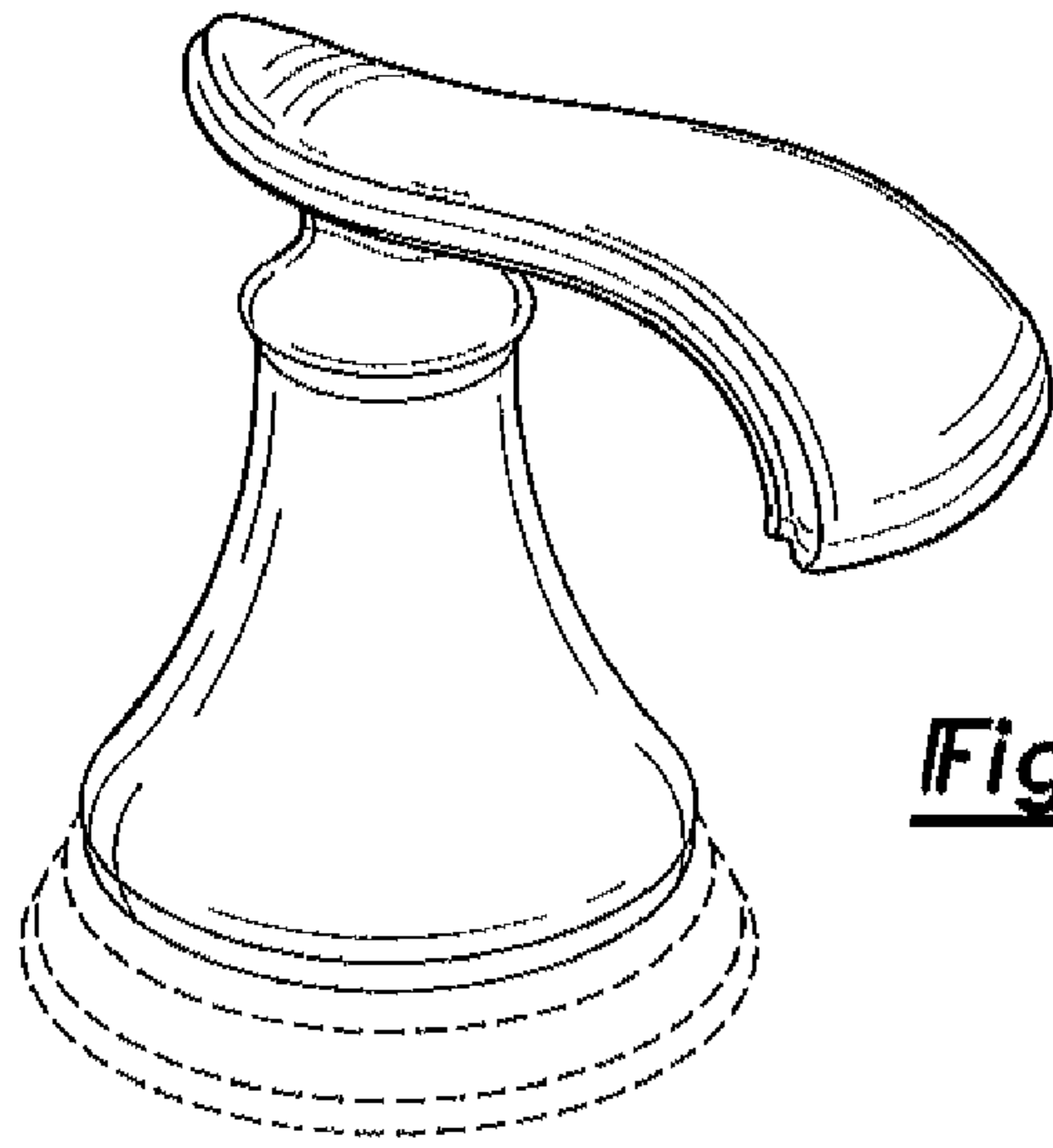


Fig-1

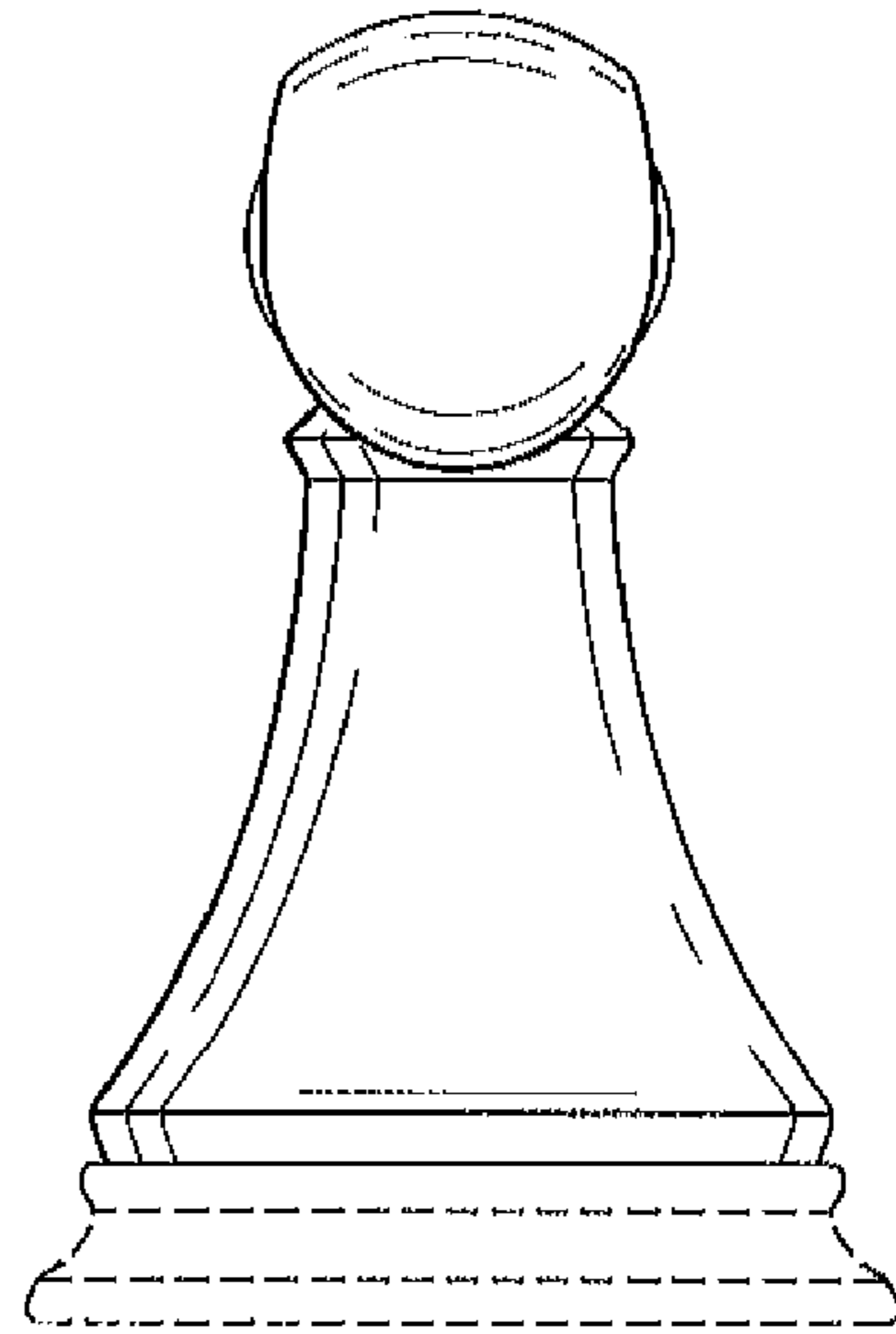


Fig-2

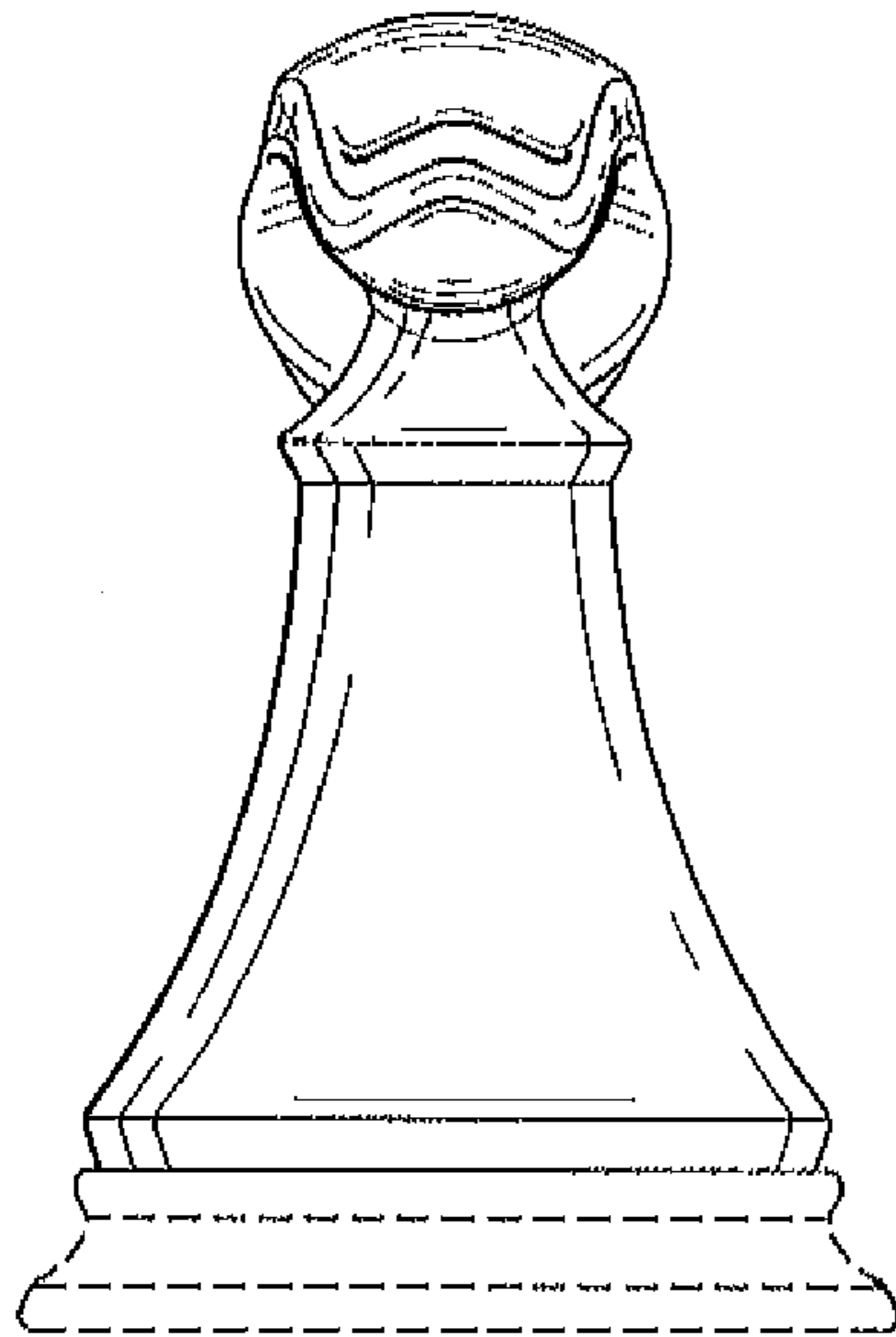


Fig-3

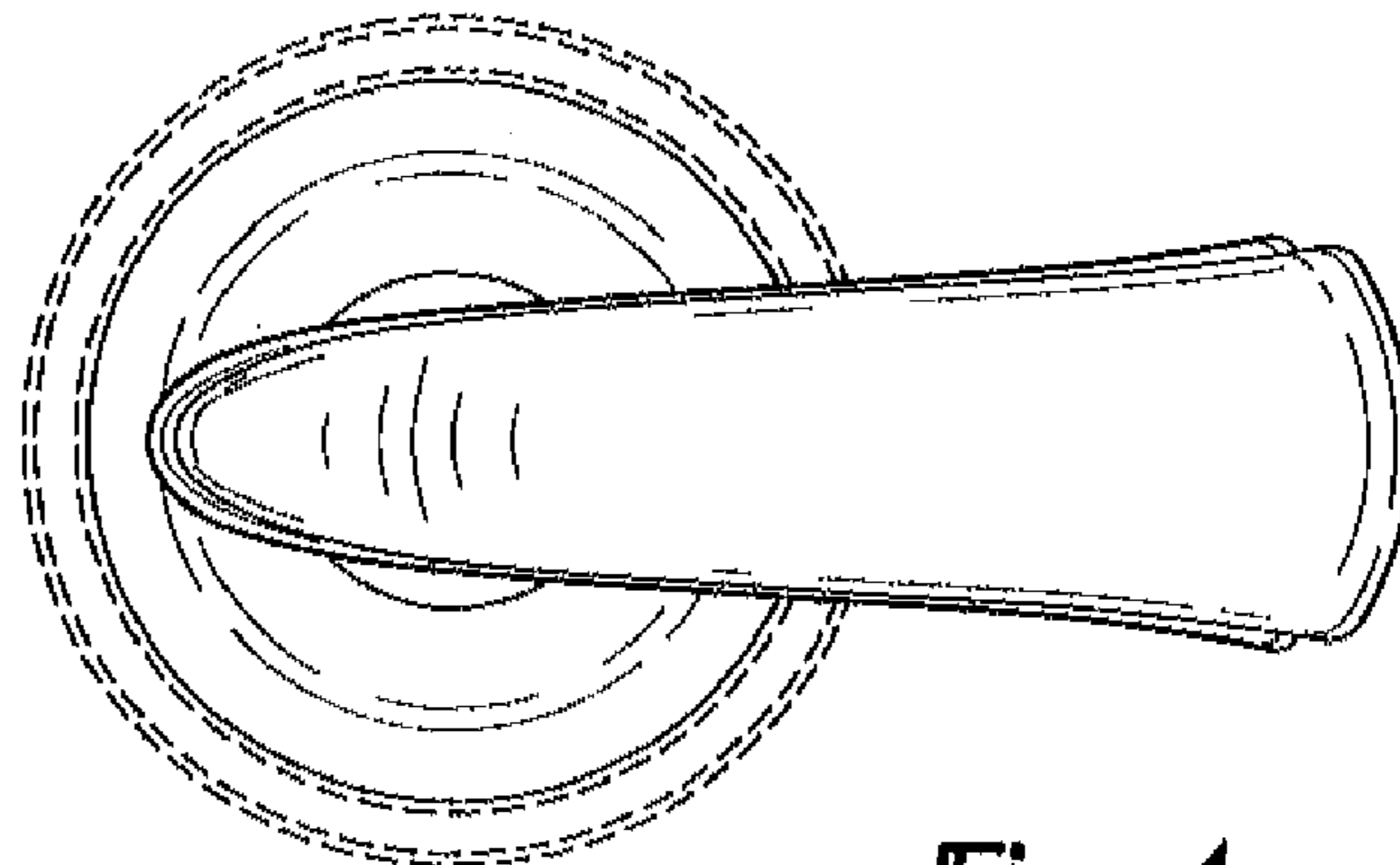


Fig-4

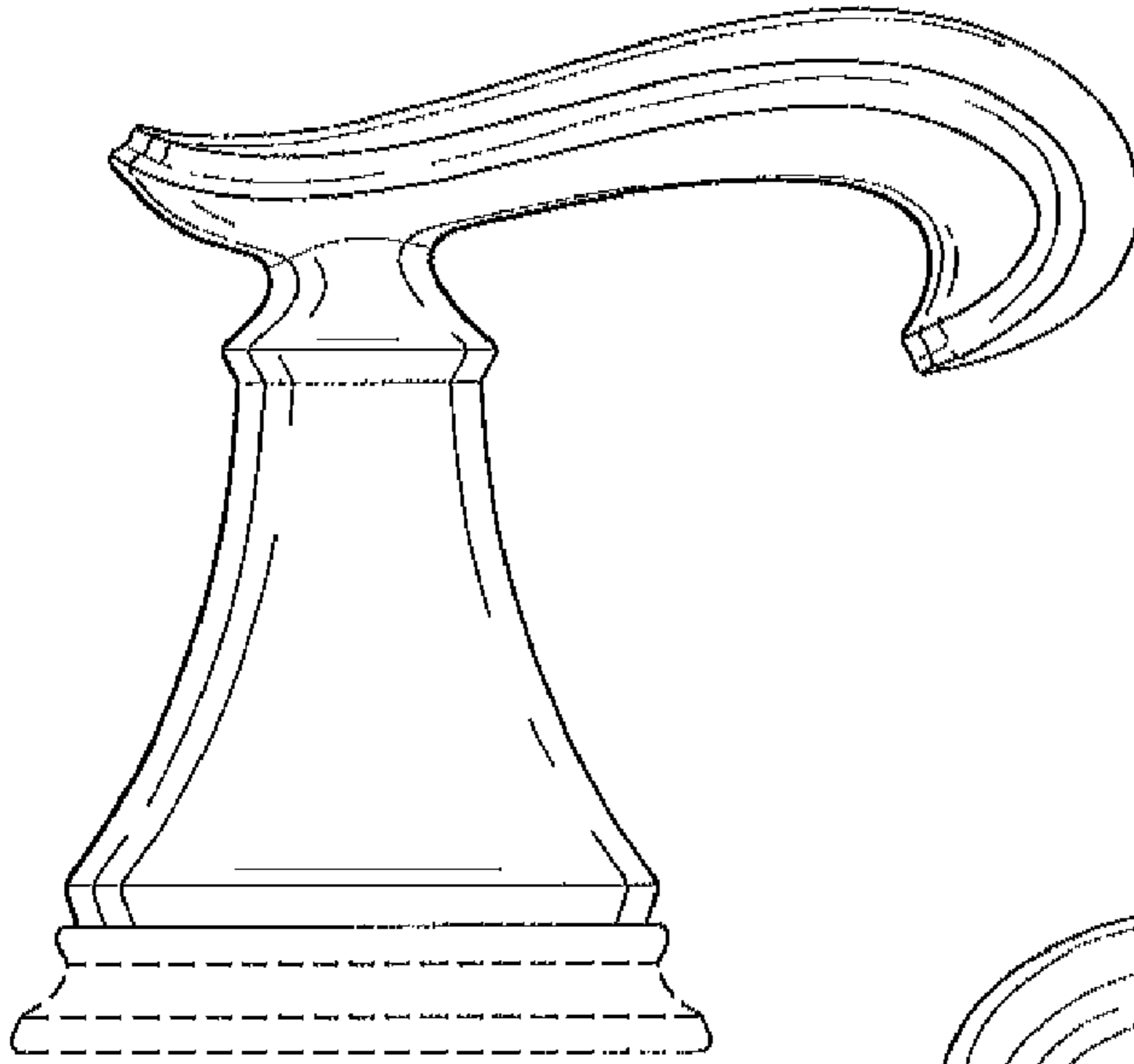


Fig-5

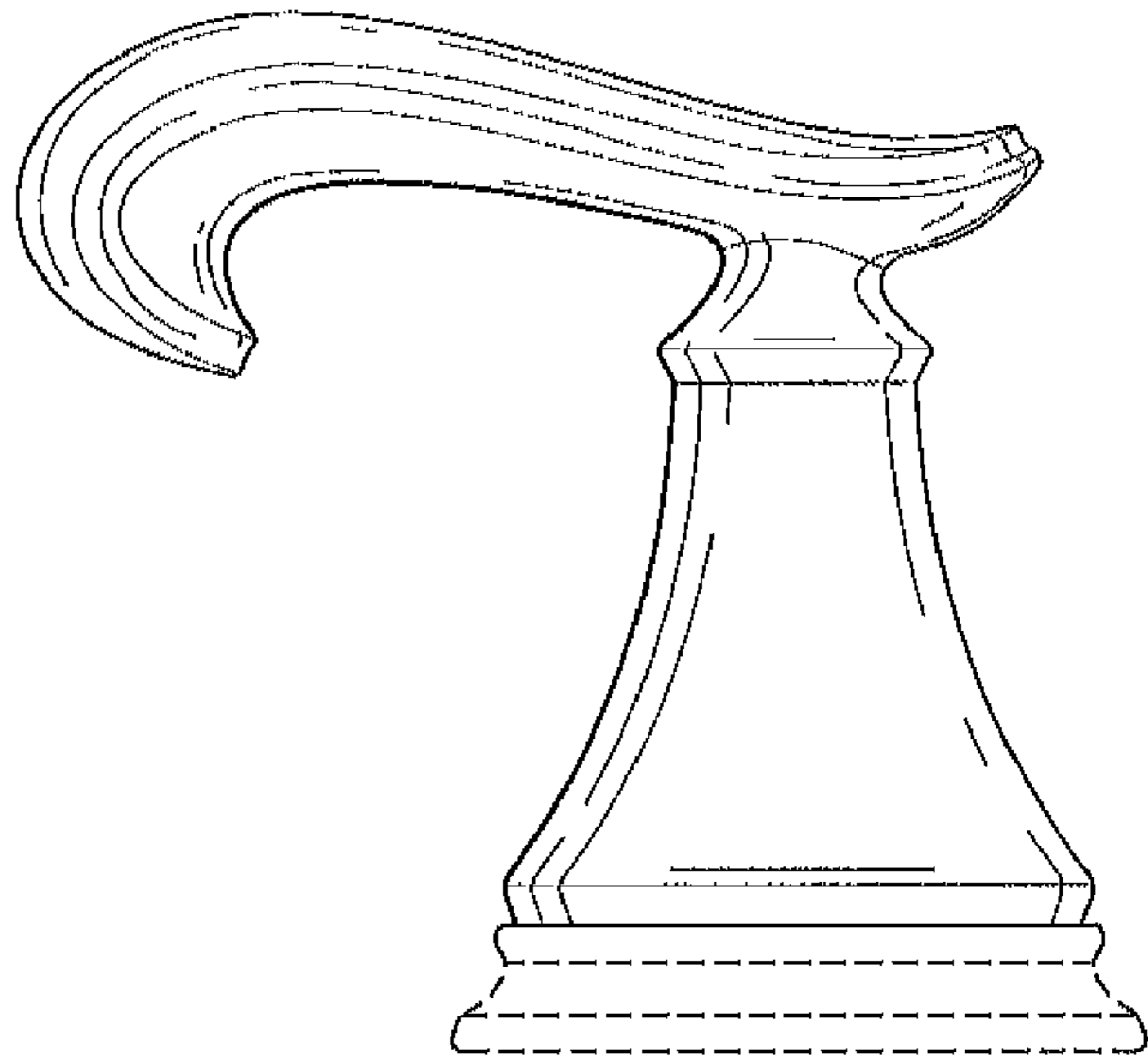


Fig-6

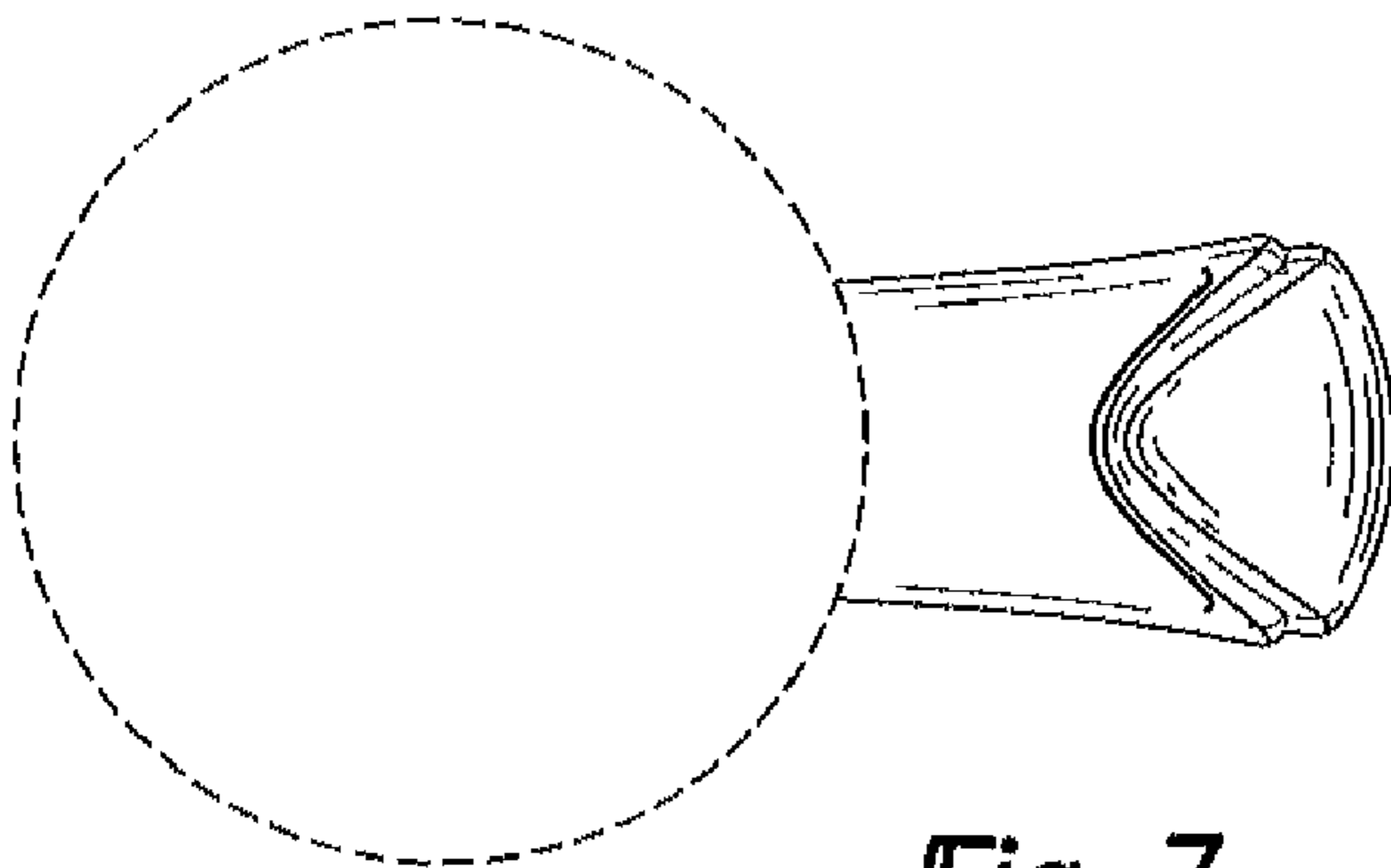


Fig-7