



US00D676933S

(12) **United States Design Patent**
Obara et al.

(10) **Patent No.:** **US D676,933 S**

(45) **Date of Patent:** **** Feb. 26, 2013**

(54) **HANDLE FOR FAUCET**

(75) Inventors: **Mitsuya Obara**, Morrow, GA (US);
Masafumi Ishikawa, Fukuoka (JP)

(73) Assignee: **TOTO Ltd.** (JP)

(**) Term: **14 Years**

(21) Appl. No.: **29/415,215**

(22) Filed: **Mar. 8, 2012**

(51) **LOC (9) Cl.** **23-01**

(52) **U.S. Cl.** **D23/252**

(58) **Field of Classification Search** D23/238–243,
D23/250, 252, 254, 249, 245; 4/675–678;
137/801

See application file for complete search history.

(56) **References Cited**

U.S. PATENT DOCUMENTS

D400,651 S	*	11/1998	Hundley et al.	D23/254
D428,642 S	*	7/2000	Milrud et al.	D23/254
D606,171 S	*	12/2009	Lammel et al.	D23/254
D649,226 S	*	11/2011	Obara et al.	D23/252

OTHER PUBLICATIONS

Pending U.S. Appl. No. 29/415,223, filed Mar. 8, 2012.

* cited by examiner

Primary Examiner — Robert Delehanty

(74) *Attorney, Agent, or Firm* — Banner & Witcoff, Ltd.

(57) **CLAIM**

The ornamental design for a handle for faucet, as shown and described.

DESCRIPTION

FIG. 1 is a perspective view of front, top plan and right side of a handle for faucet according to our new design;

FIG. 2 is a front view thereof;

FIG. 3 is a rear view thereof;

FIG. 4 is a left side view thereof;

FIG. 5 is a right side view thereof;

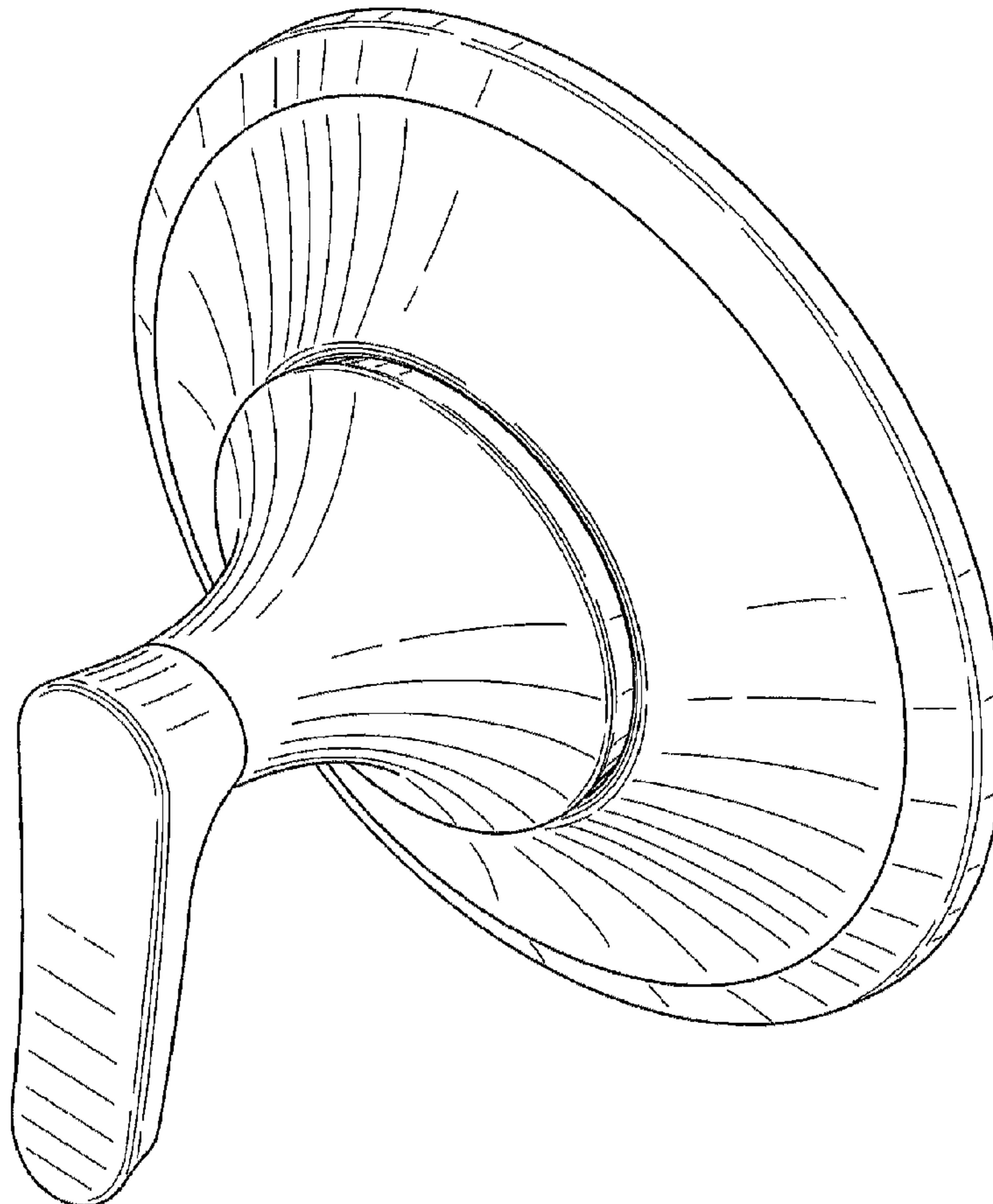
FIG. 6 is a top view thereof; and,

FIG. 7 is a bottom view thereof.

The portions of the article in broken lines are shown for illustrative purposes only and form no part of the claimed design.

The handle for faucet is used for adjusting temperature and water flow.

1 Claim, 6 Drawing Sheets



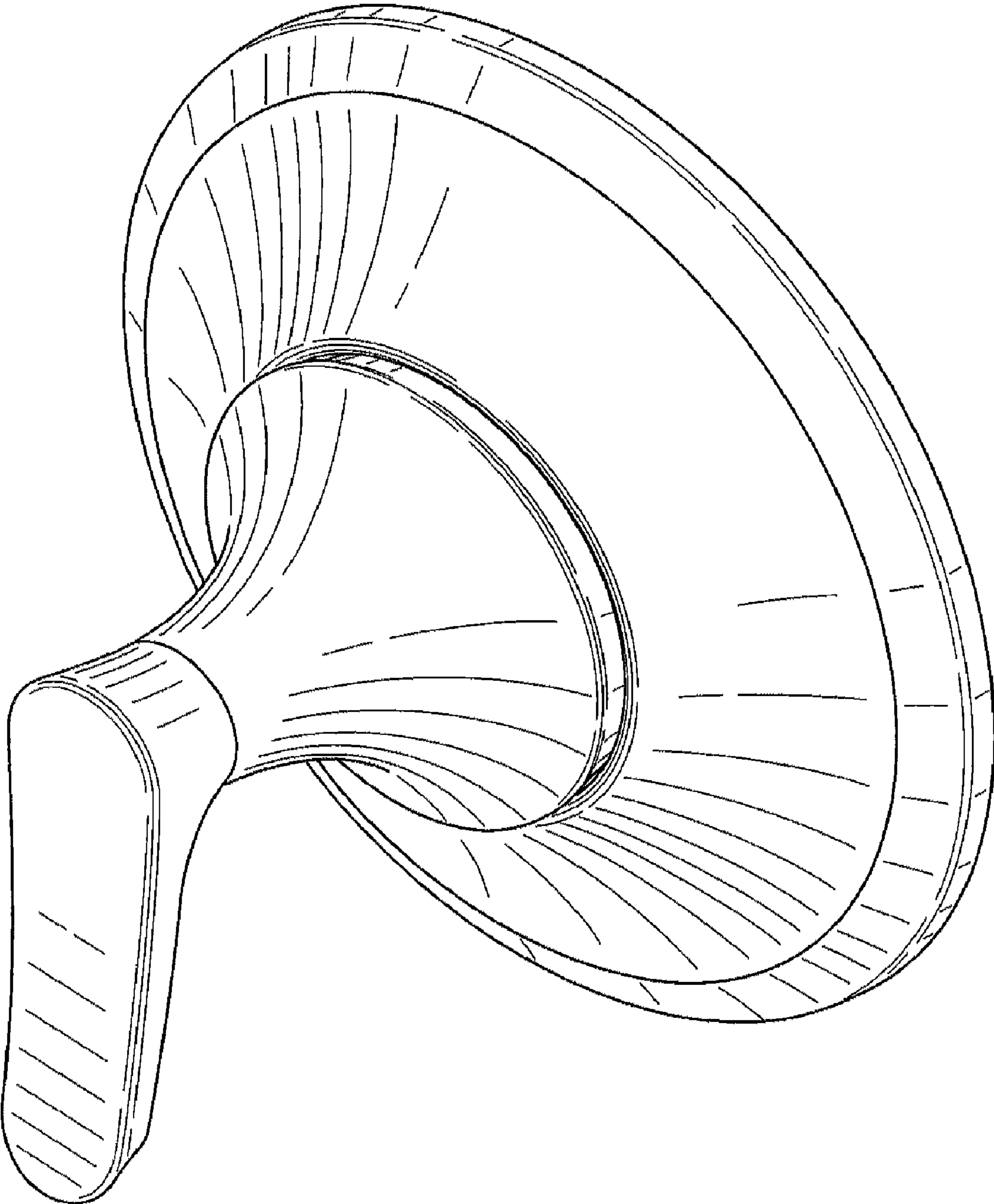


FIG. 1

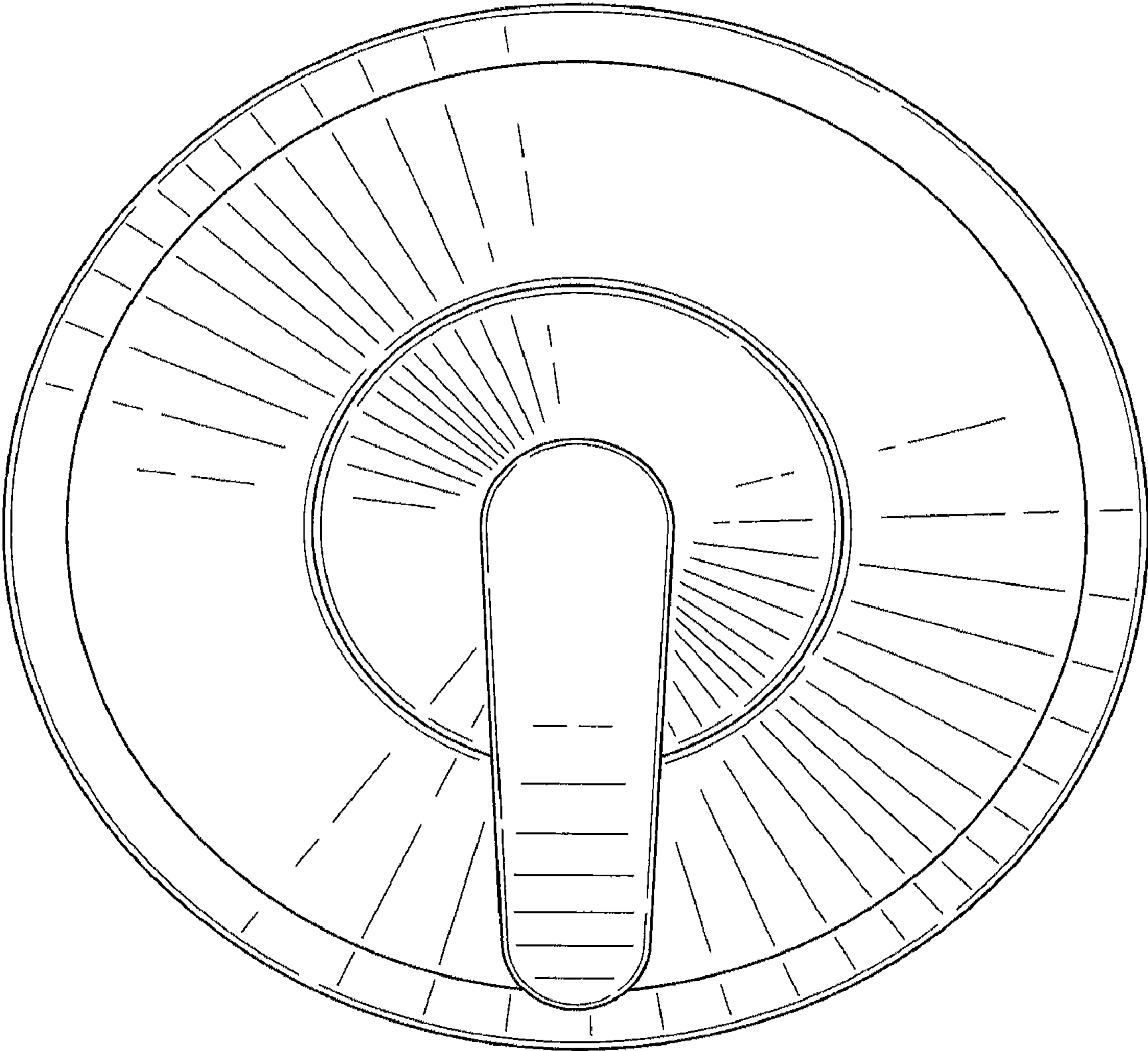


FIG. 2

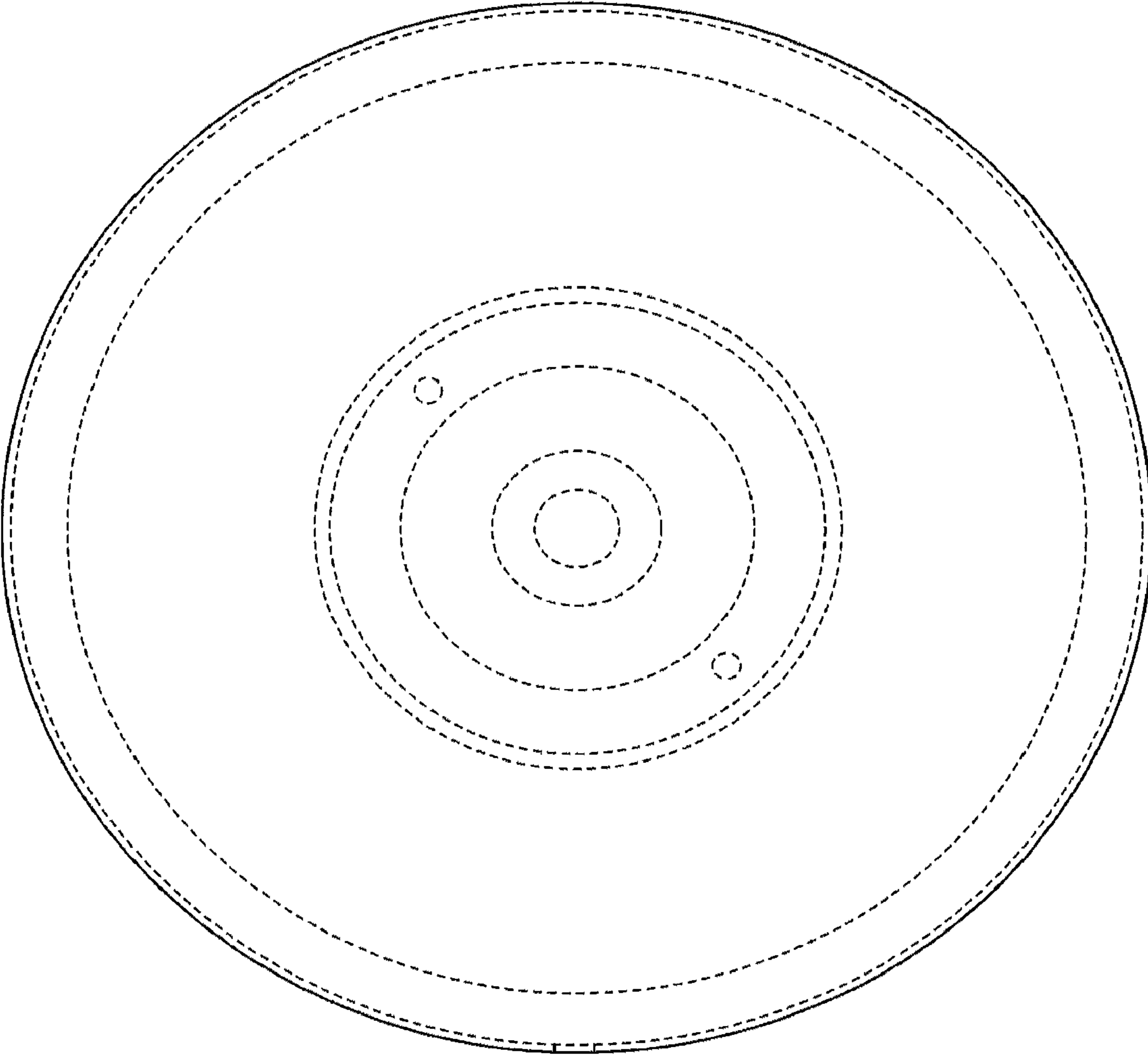


FIG. 3

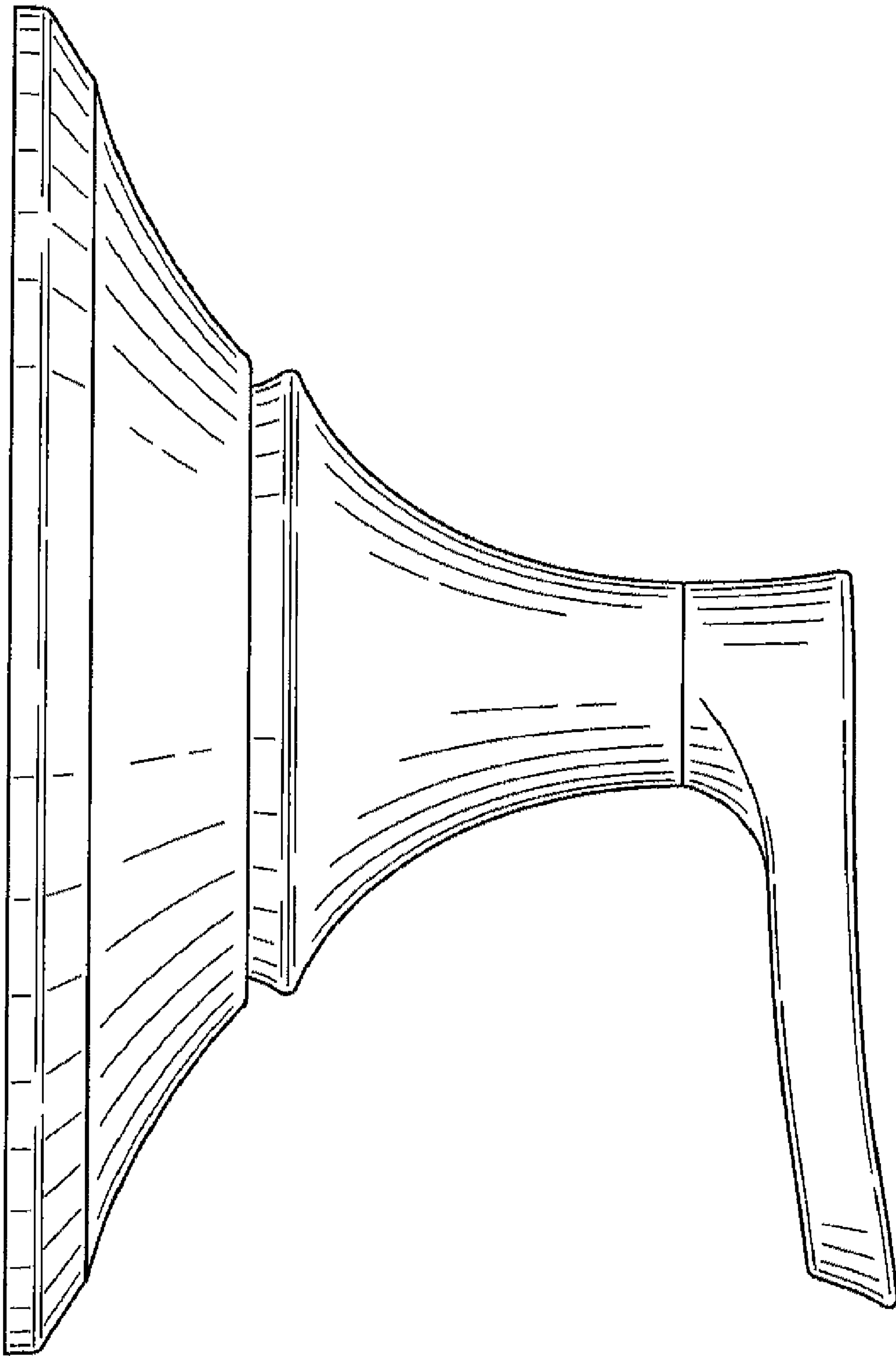


FIG. 4

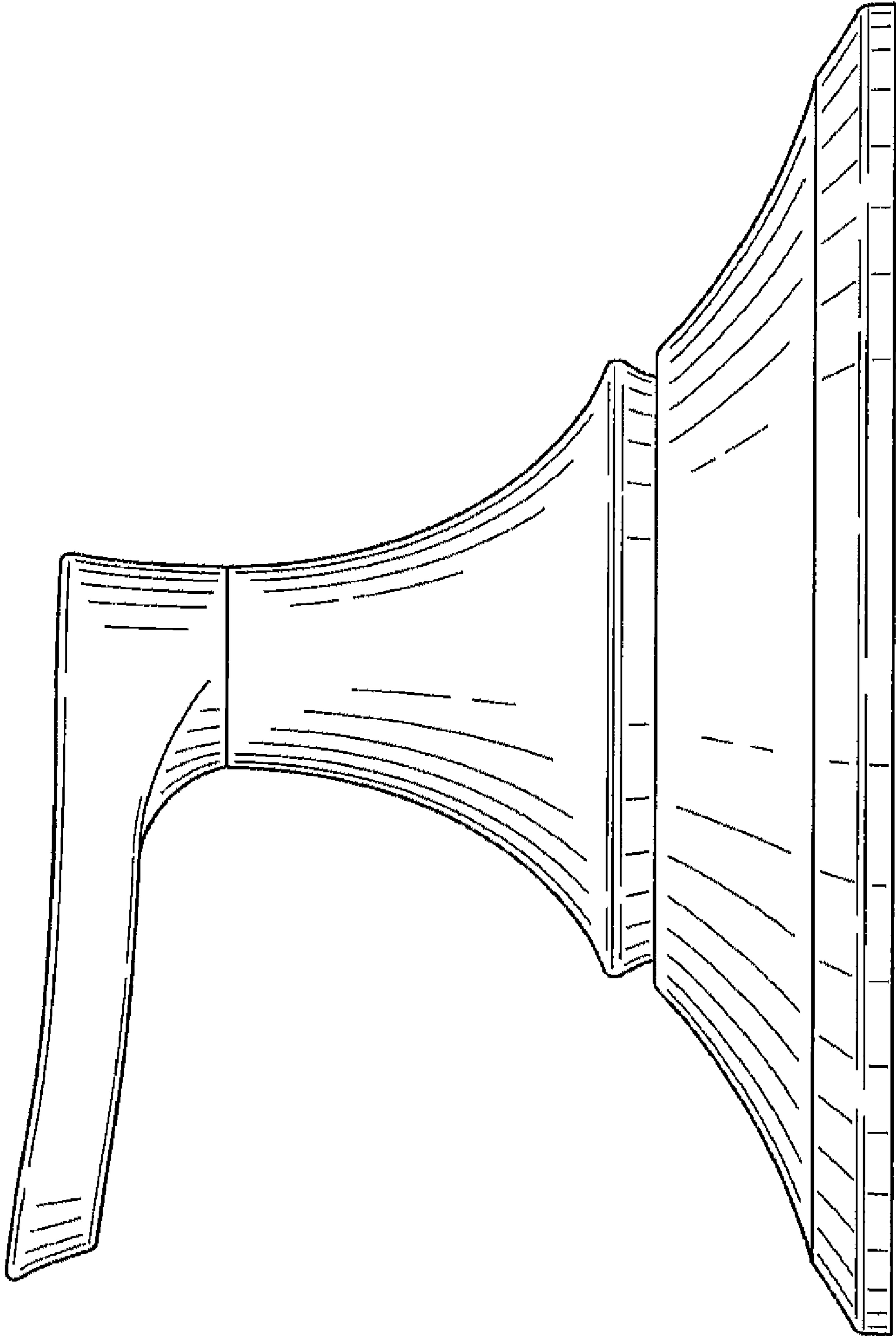


FIG. 5

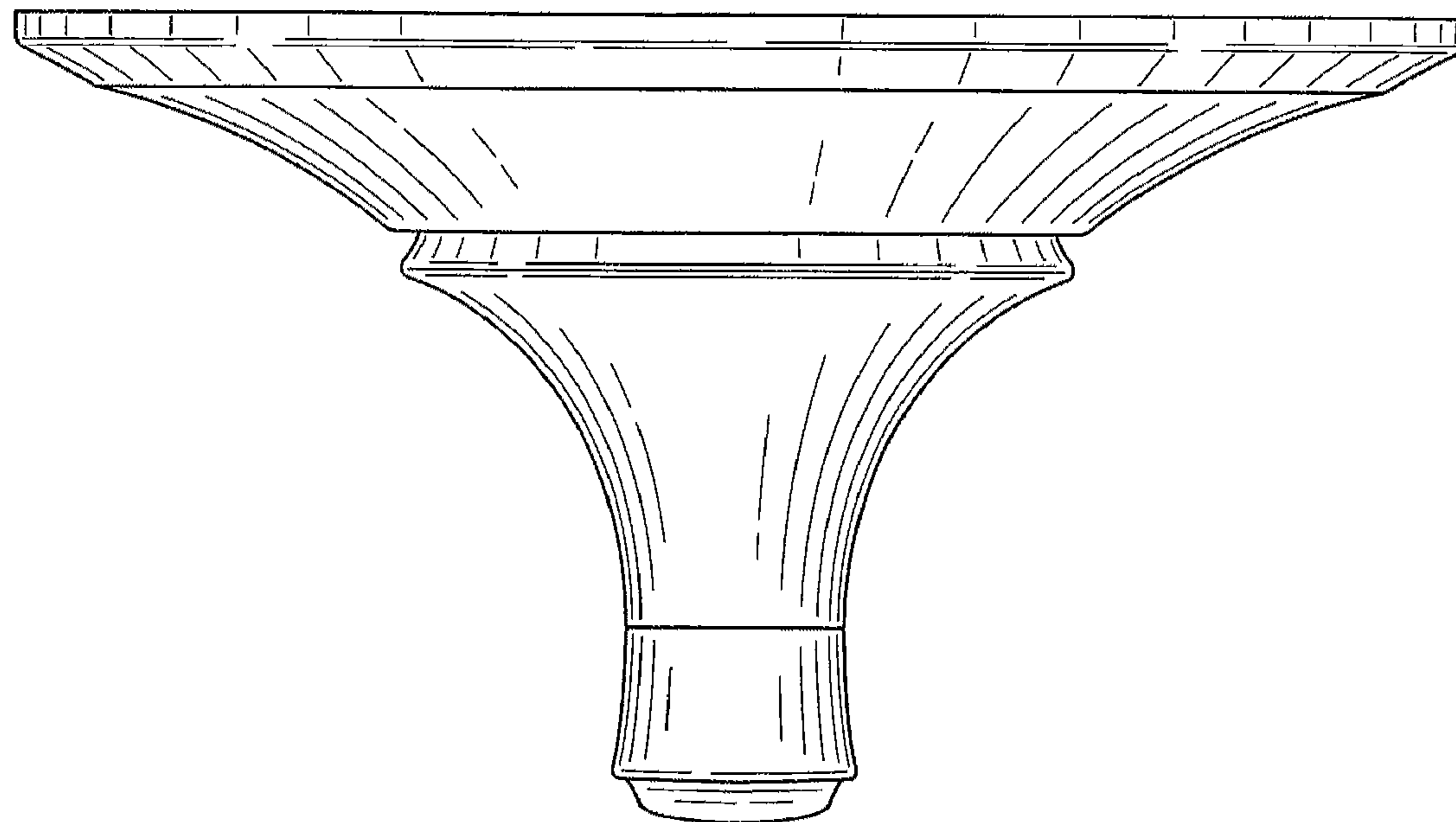


FIG. 6

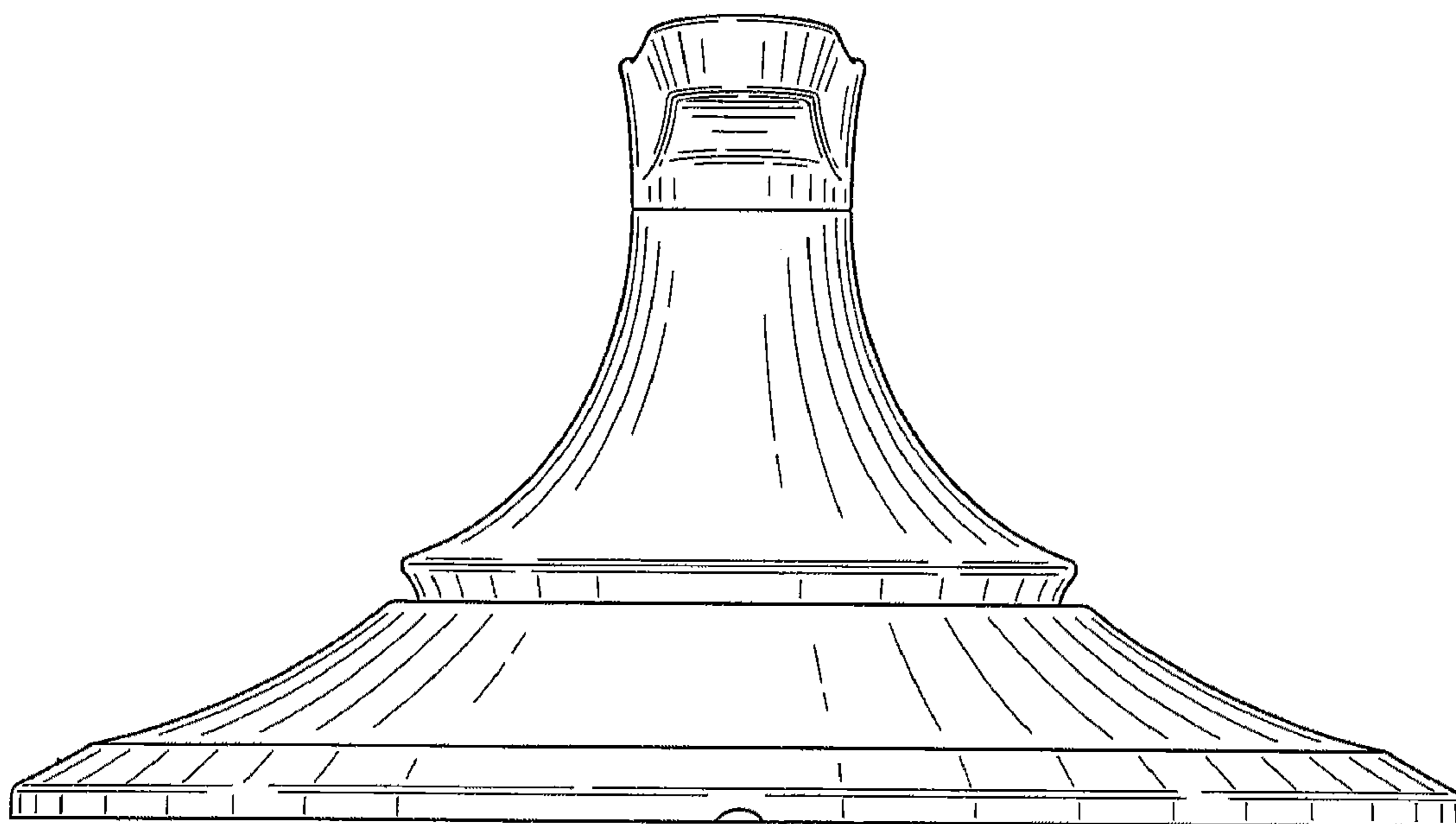


FIG. 7