



US00D676930S

(12) **United States Design Patent**
Koledin

(10) **Patent No.:** **US D676,930 S**

(45) **Date of Patent:** **** Feb. 26, 2013**

(54) **DIAPHRAGM**

(75) **Inventor:** **Michael Jan Koledin**, Cornelius, NC
(US)

(73) **Assignee:** **Hartwell Medical Corporation**,
Carlsbad, CA (US)

(**) **Term:** **14 Years**

(21) **Appl. No.:** **29/361,929**

(22) **Filed:** **May 17, 2010**

(51) **LOC (9) Cl.** **23-01**

(52) **U.S. Cl.** **D23/249**

(58) **Field of Classification Search** D24/105,

D24/197, 110.6;

128/200.14–200.23, 203.12–203.24; D23/233,

D23/249, 197; 215/356; 200/406; 251/331,

251/332, 334, 335.1, 335.2, 335.3; 92/96,

92/97, 98 R, 99, 103 R, 103 F, 103 SD

See application file for complete search history.

(56) **References Cited**

U.S. PATENT DOCUMENTS

2,575,775	A *	11/1951	Teeters	251/278
2,654,559	A *	10/1953	Franck	251/331
2,678,065	A *	5/1954	Crookston	92/49
4,630,770	A *	12/1986	Sliger et al.	236/34.5
4,720,079	A *	1/1988	Iizuka et al.	251/331
5,456,279	A *	10/1995	Parsons et al.	137/245
6,216,730	B1 *	4/2001	Hall	137/550
6,343,539	B1 *	2/2002	Du	92/100
D470,226	S *	2/2003	Herbert	D23/249

D470,920	S *	2/2003	Verdecchia et al.	D23/249
7,100,894	B2 *	9/2006	Newberg	251/331
7,364,132	B2 *	4/2008	Browne et al.	251/331
D631,945	S *	2/2011	Shorey et al.	D23/233
7,922,147	B2 *	4/2011	O'Connor et al.	251/40
7,926,785	B2 *	4/2011	Wincek	251/331
2011/0197892	A1 *	8/2011	Koledin	128/205.24

OTHER PUBLICATIONS

Versatile, Easy-to-Clean Diphragms [on-line]. Chem.ino website, posted on Oct. 25, 2011, [retrieved on Sep. 14, 2012]. Retrieved from the internet: <URL: www.chem.info/Products/2011/10/Material-Handling-Versatile-Easy-to-Clean-Dlaphragm>.*

* cited by examiner

Primary Examiner — Ian Simmons

Assistant Examiner — Eleni H Aldridge

(74) *Attorney, Agent, or Firm* — Eric A. Hanscom; Todd J. Langford

(57) **CLAIM**

The ornamental design for a diaphragm, as shown and described.

DESCRIPTION

FIG. 1 is a perspective view of a diaphragm showing my new design;

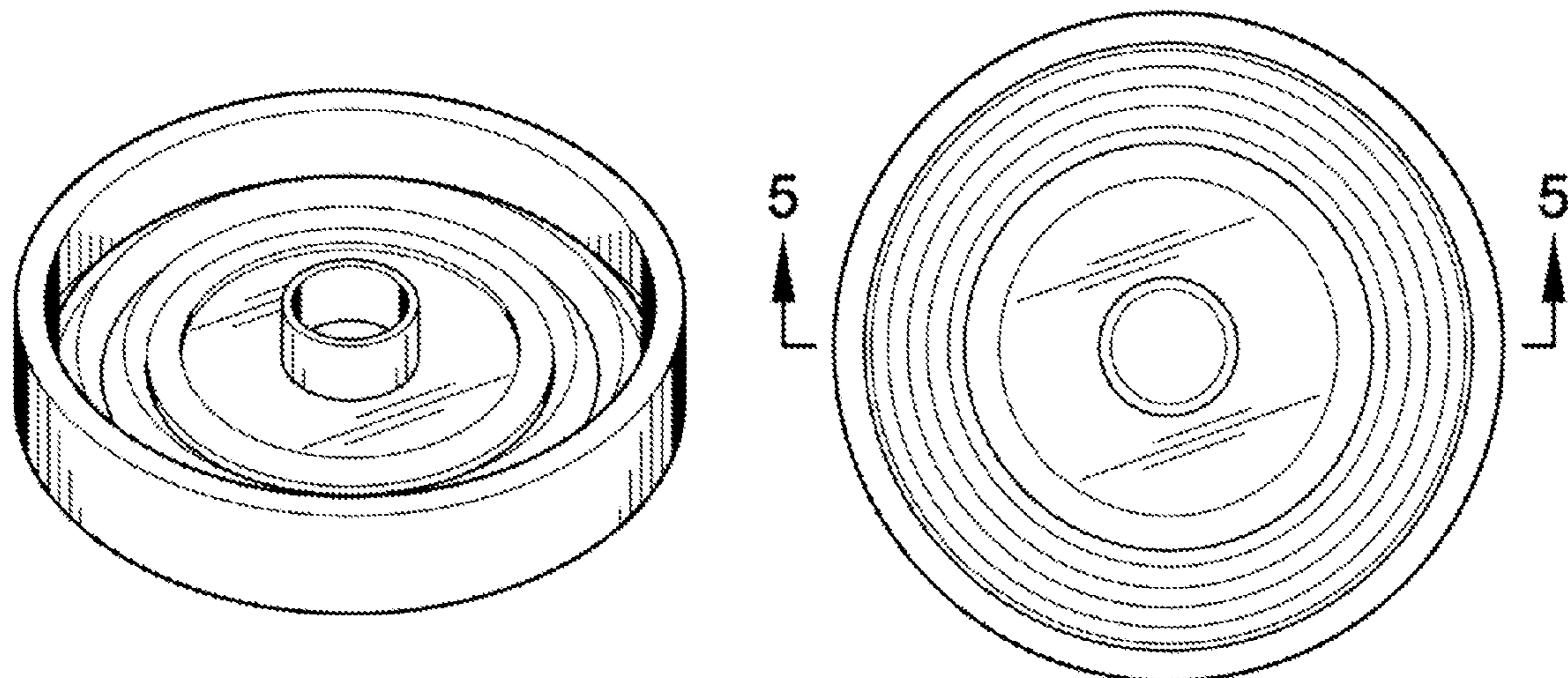
FIG. 2 is a bottom view thereof;

FIG. 3 is a top view thereof;

FIG. 4 is a side view thereof; and,

FIG. 5 is a cross-sectional side view thereof.

1 Claim, 1 Drawing Sheet



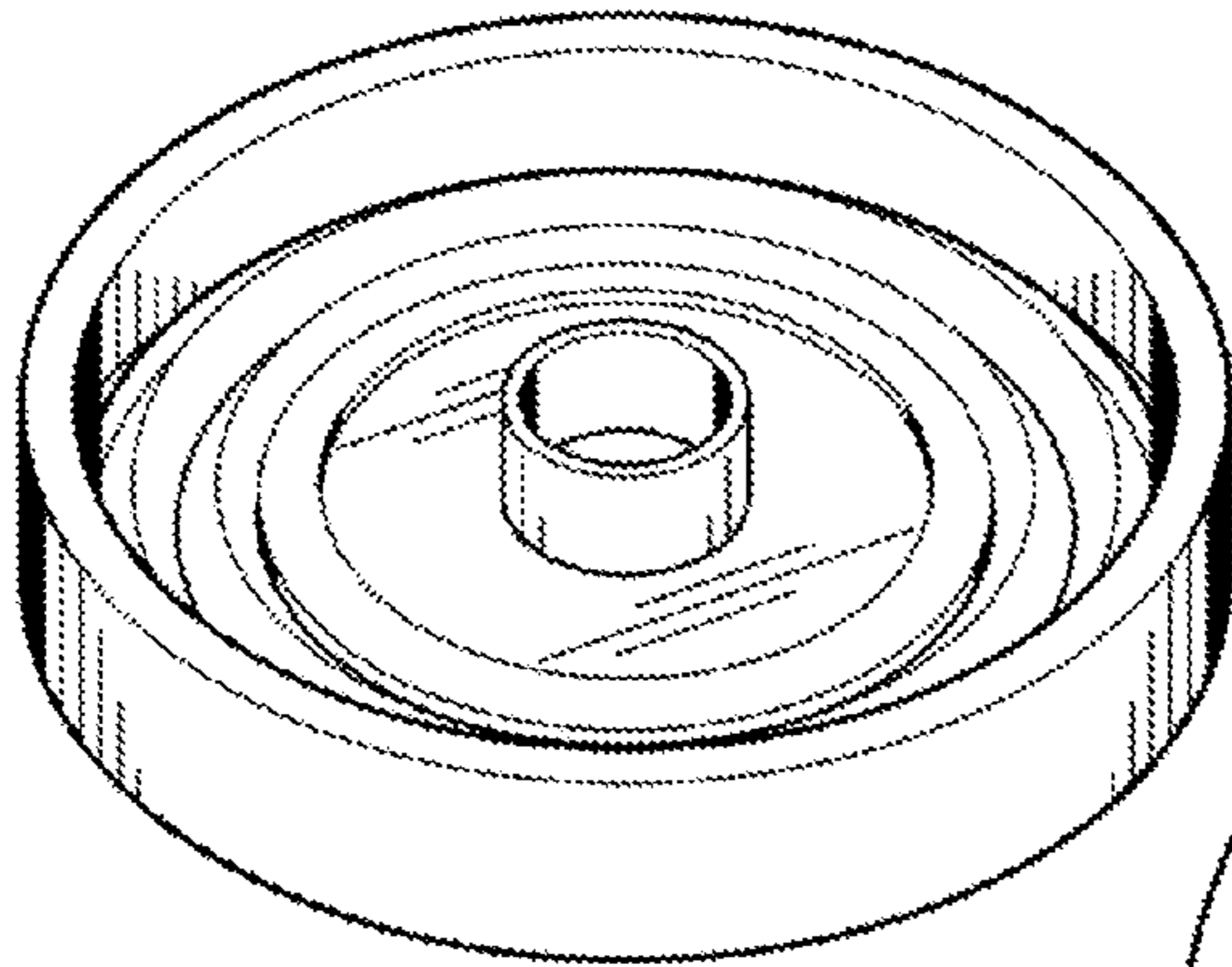


FIG. 1

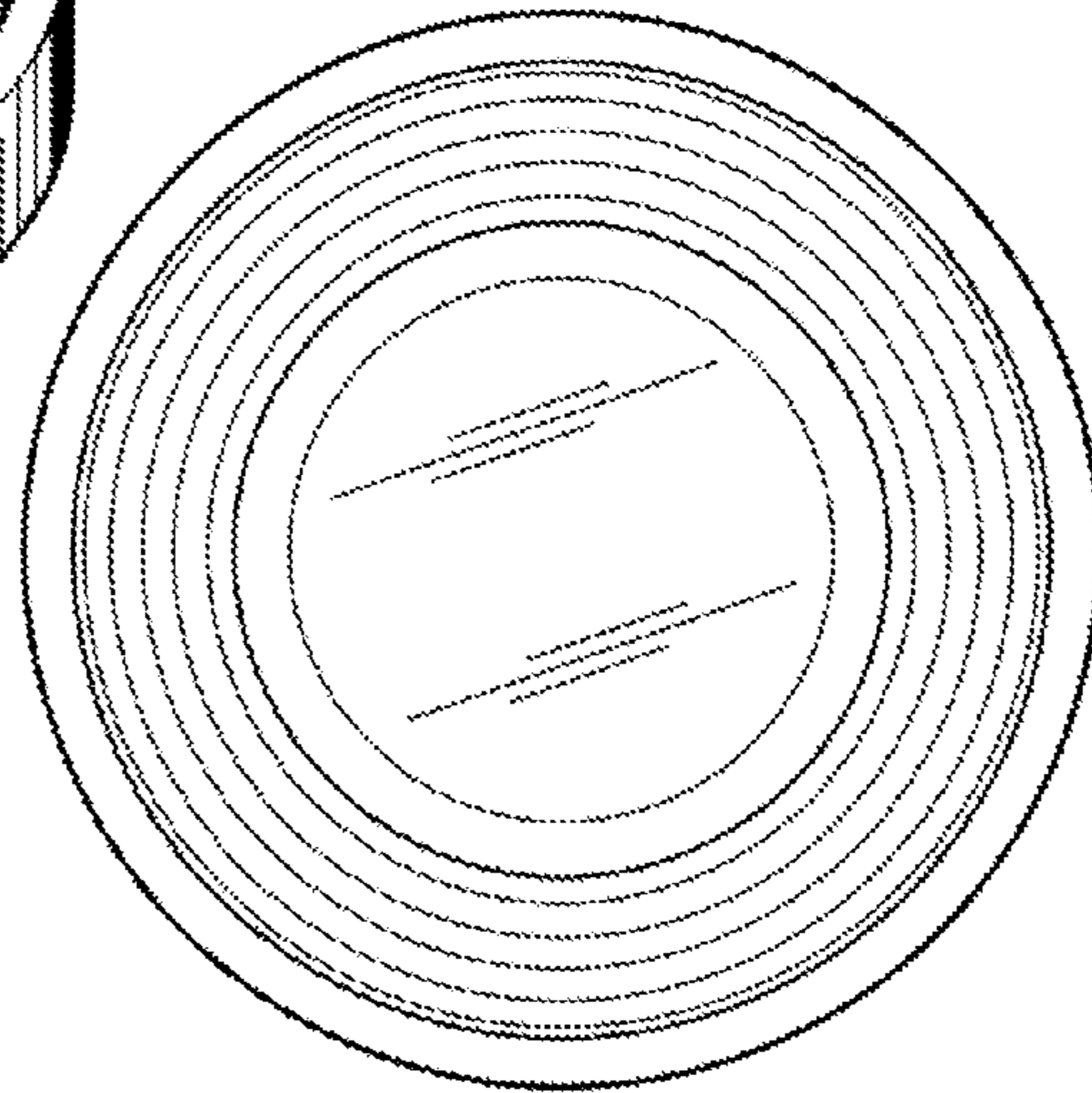


FIG. 2

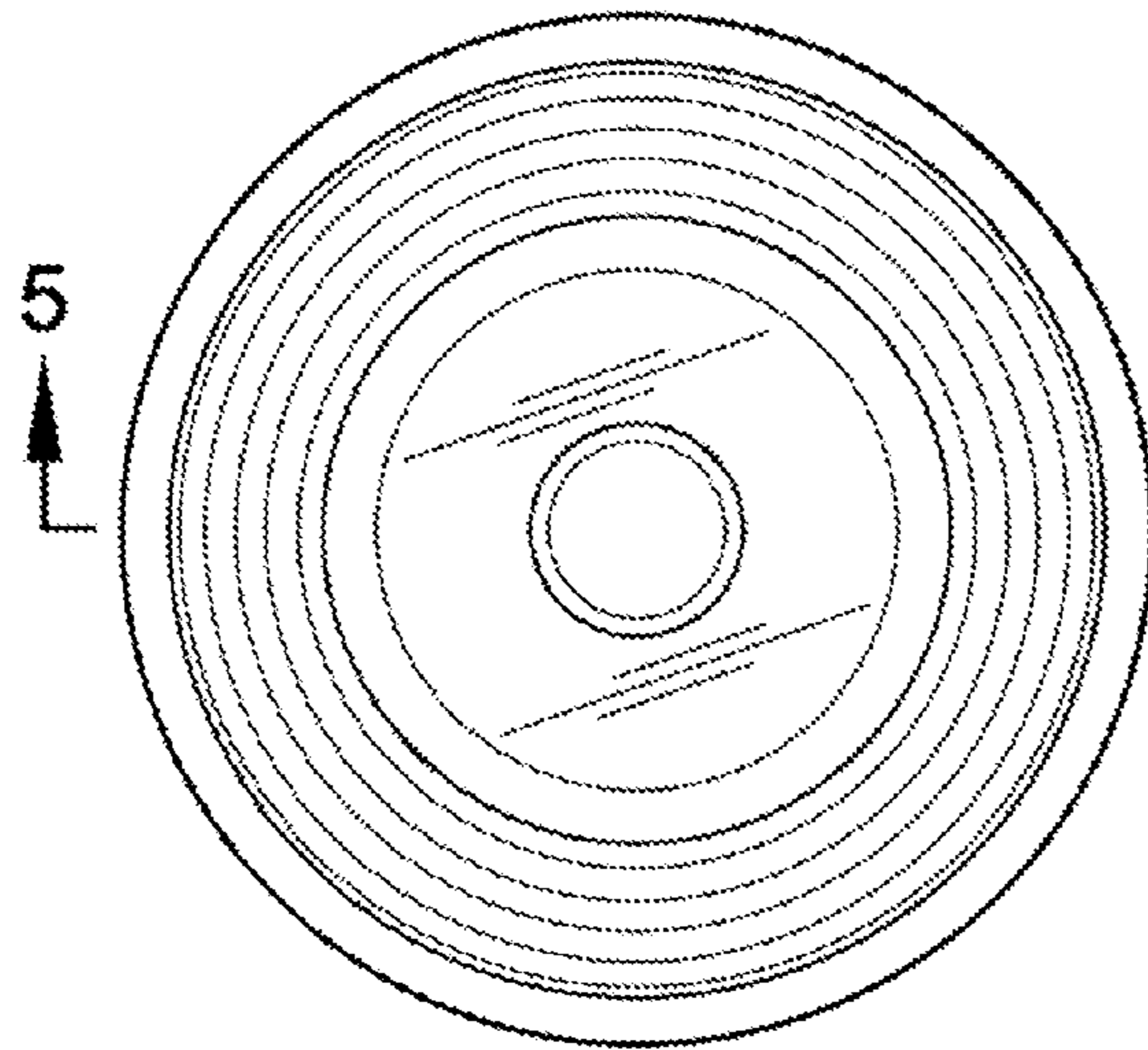


FIG. 3



FIG. 4

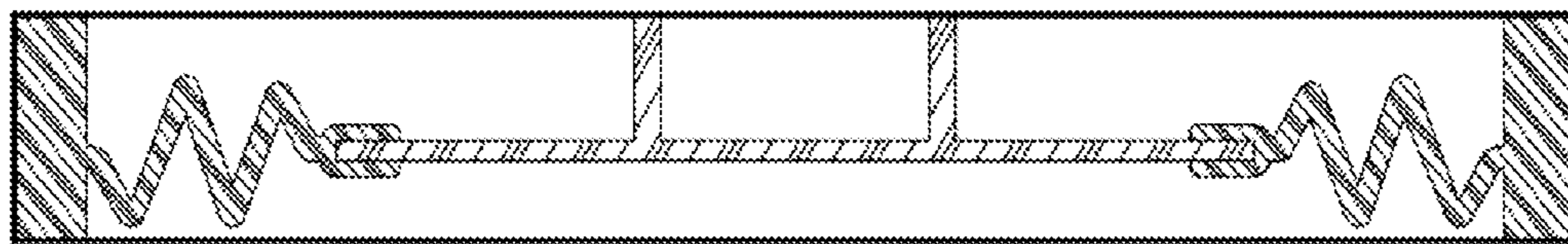


FIG. 5