

US00D676927S

(12) **United States Design Patent**
Svendsen et al.

(10) **Patent No.:** **US D676,927 S**

(45) **Date of Patent:** **** Feb. 26, 2013**

(54) **HANDHELD SHOWERHEAD**

Primary Examiner — Robin V Webster

(75) Inventors: **Sean Svendsen**, Columbus, OH (US);
Ryan Robert Berger, Columbus, OH
(US); **Oren Shai**, Westerville, OH (US)

(74) *Attorney, Agent, or Firm* — Edgar A. Zarins; Nirav D. Parikh; Lora J. Graentzdoerffer

(73) Assignee: **Masco Corporation of Indiana**,
Indianapolis, IN (US)

(57) **CLAIM**

(**) Term: **14 Years**

The ornamental design for a handheld showerhead, as shown and described.

(21) Appl. No.: **29/418,446**

(22) Filed: **Apr. 17, 2012**

DESCRIPTION

(51) **LOC (9) Cl.** **23-01**

(52) **U.S. Cl.** **D23/223**

(58) **Field of Classification Search** D23/213,
D23/223, 226, 229, 230; 4/615; 239/282,
239/283, 462, 211

FIG. 1 is a perspective view of a handheld showerhead showing our new design;

FIG. 2 is a front elevational view thereof;

FIG. 3 is a rear view thereof;

FIG. 4 is a right side view thereof;

FIG. 5 is a left side view thereof;

FIG. 6 is a top view thereof; and,

FIG. 7 is a bottom view thereof.

See application file for complete search history.

The broken line showing and boundary in FIGS. 1-7, is included for the purpose of illustrating and forms no part of the claimed design.

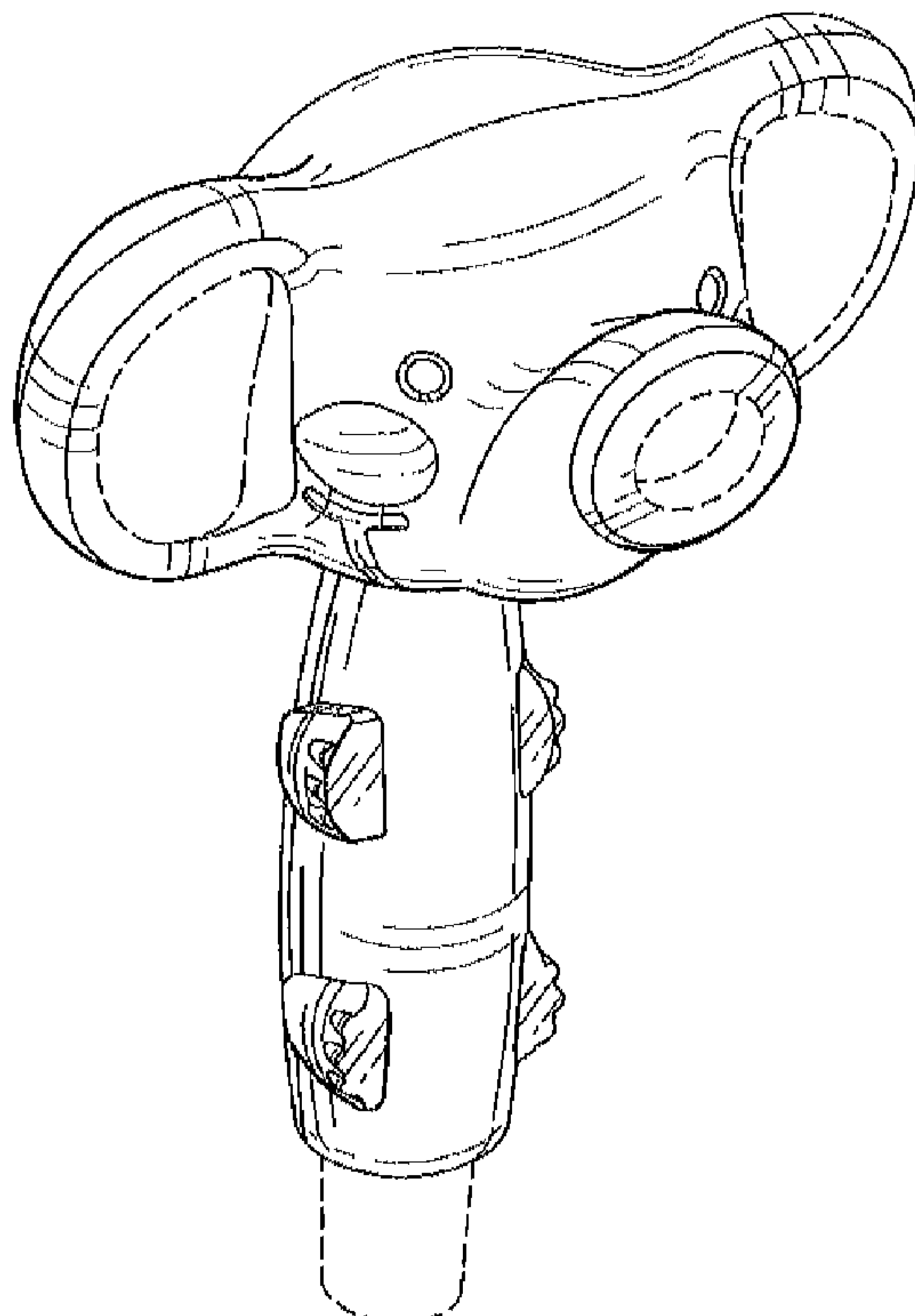
(56) **References Cited**

U.S. PATENT DOCUMENTS

4,353,139	A *	10/1982	Wainwright et al.	4/661
4,821,960	A *	4/1989	Goldman	239/211
5,667,419	A *	9/1997	Spector	446/72
D639,383	S *	6/2011	Holbrook	D23/213

* cited by examiner

1 Claim, 2 Drawing Sheets



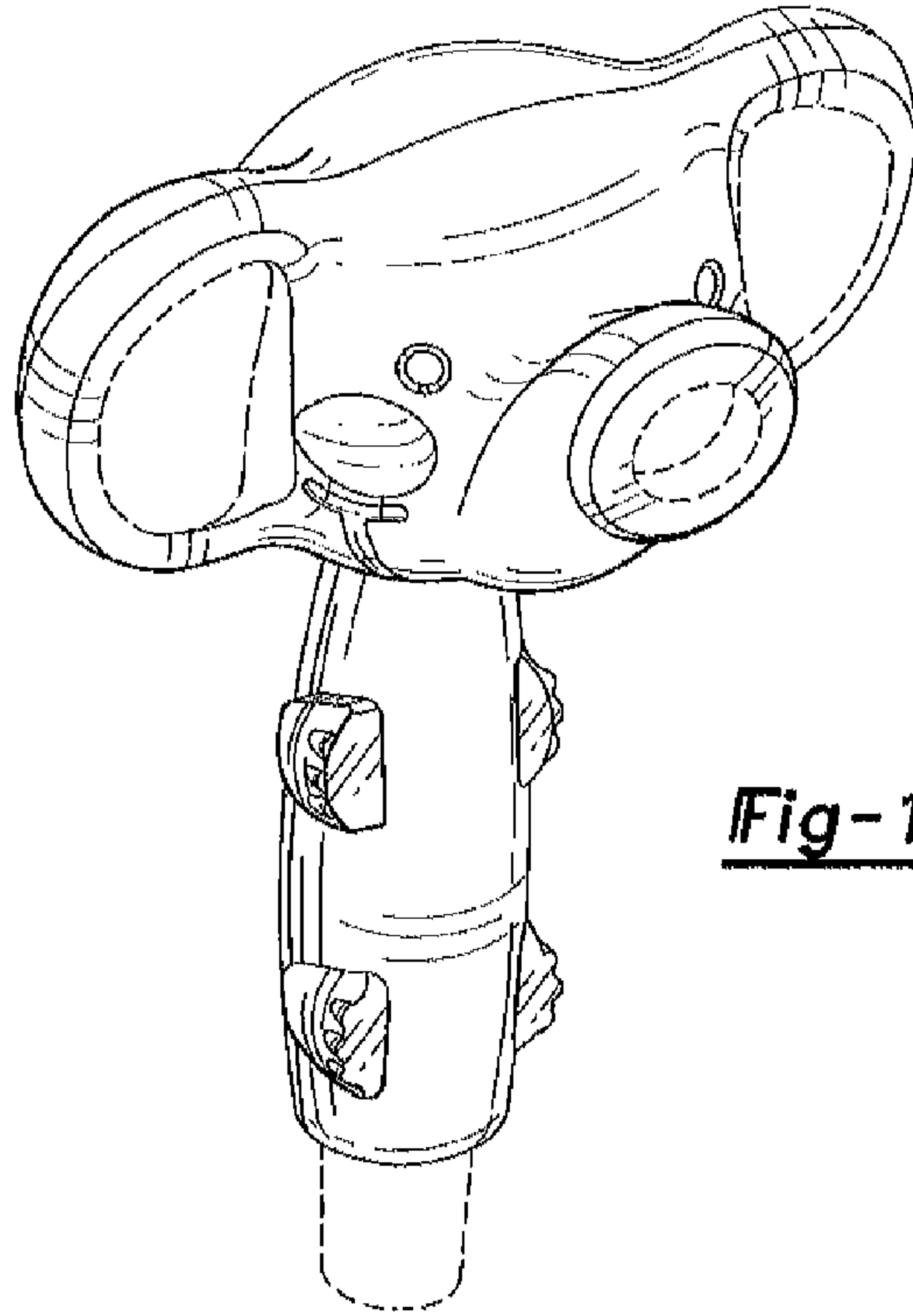


Fig-1

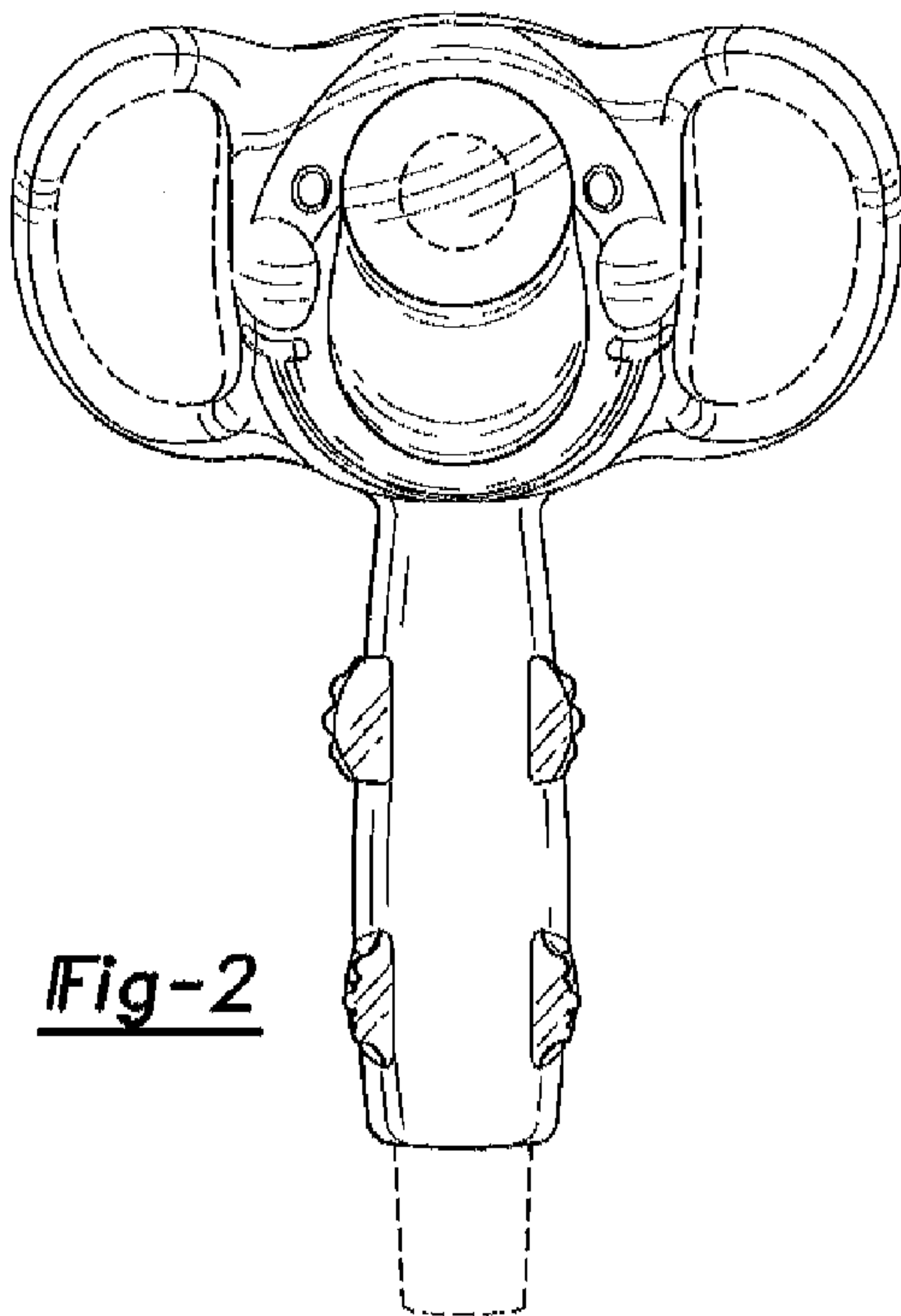


Fig-2

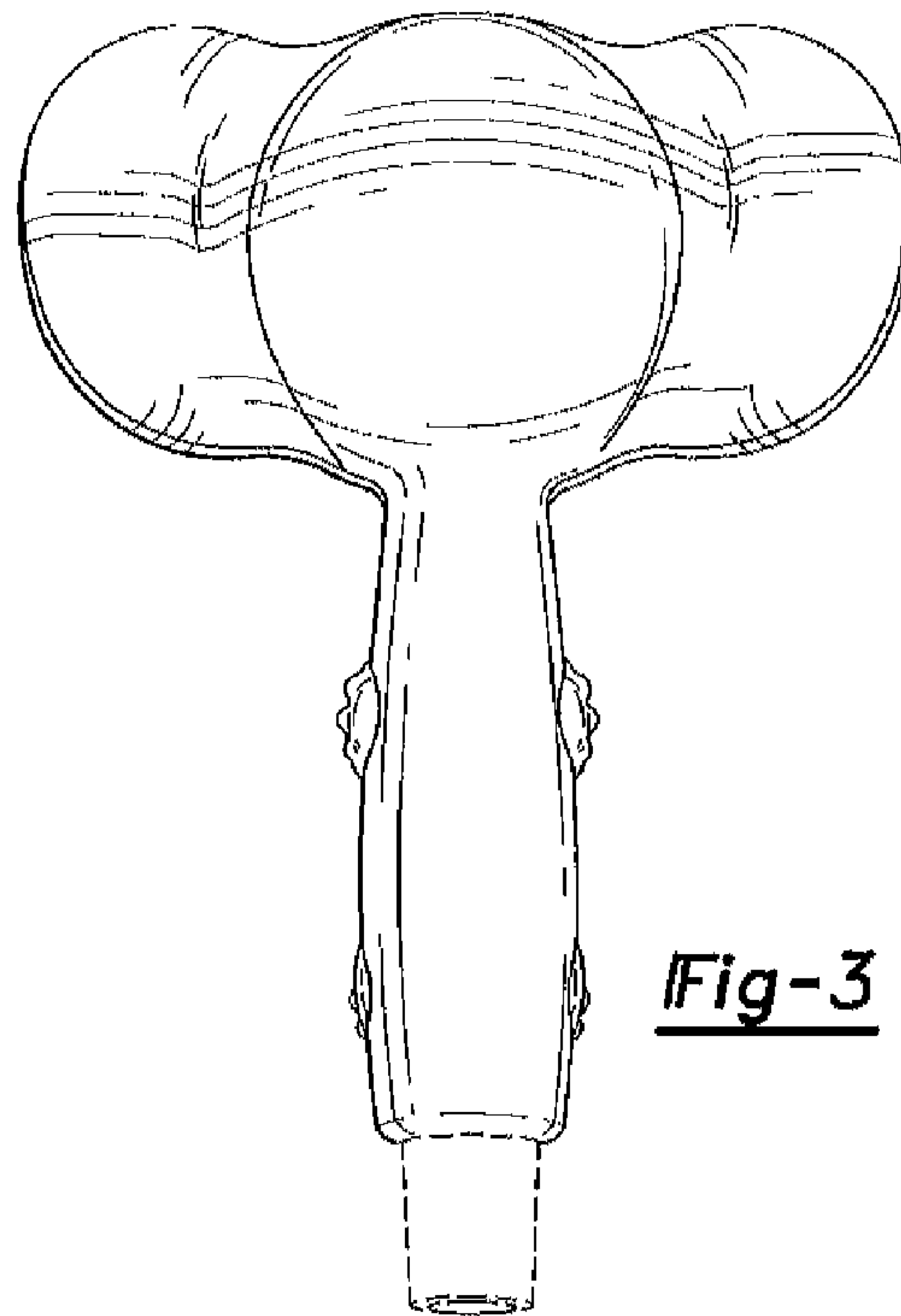


Fig-3

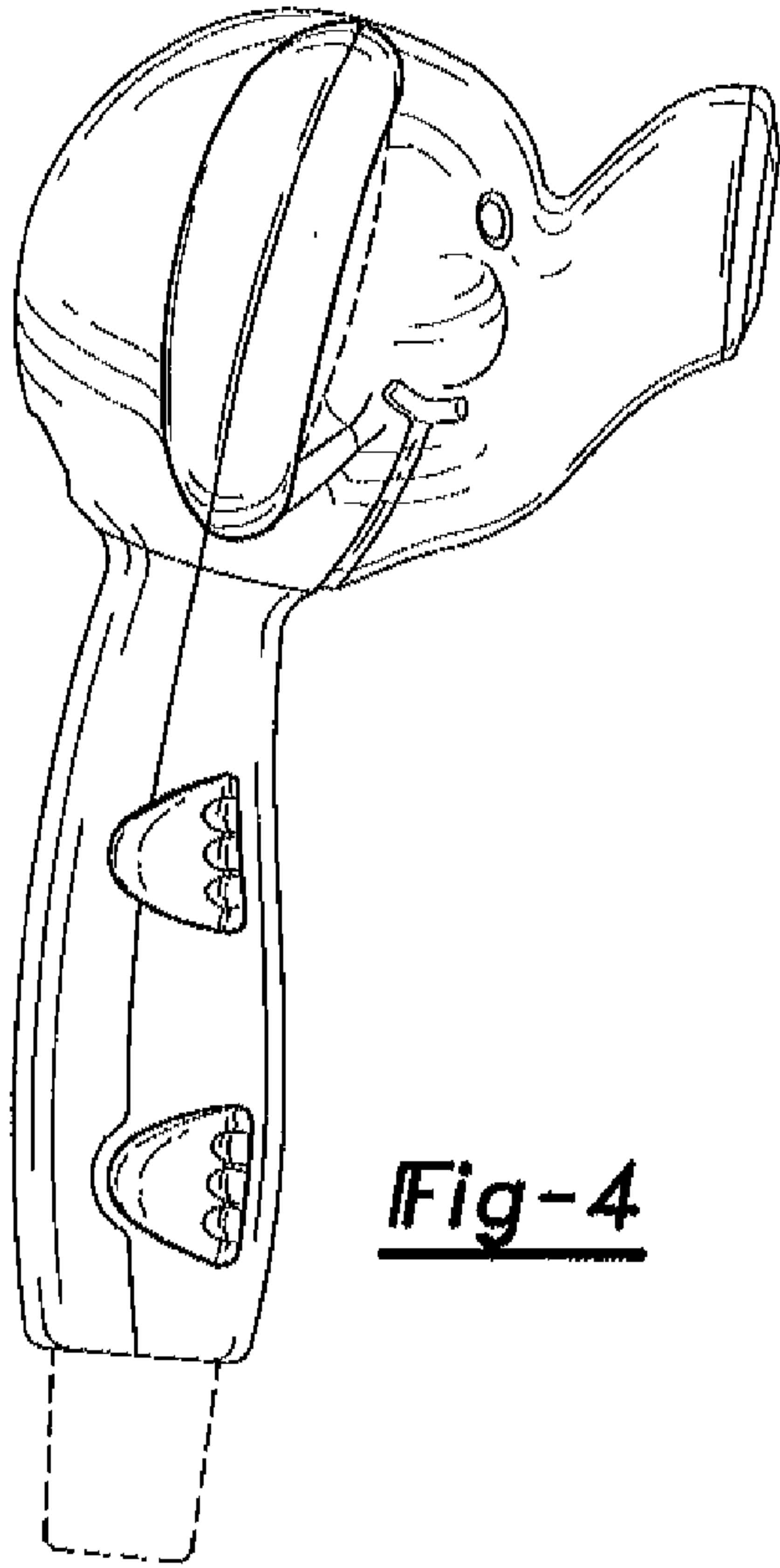


Fig-4

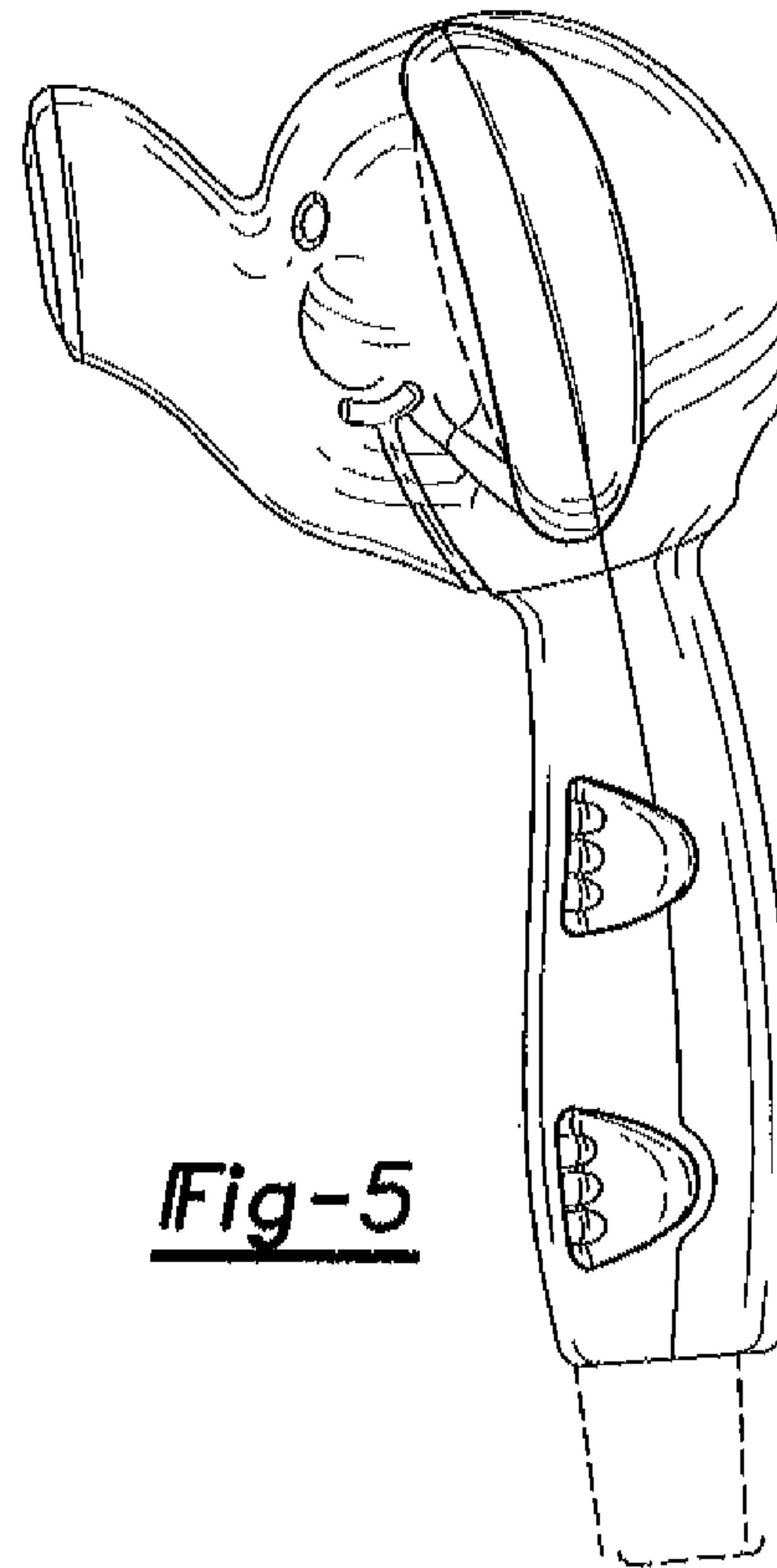


Fig-5

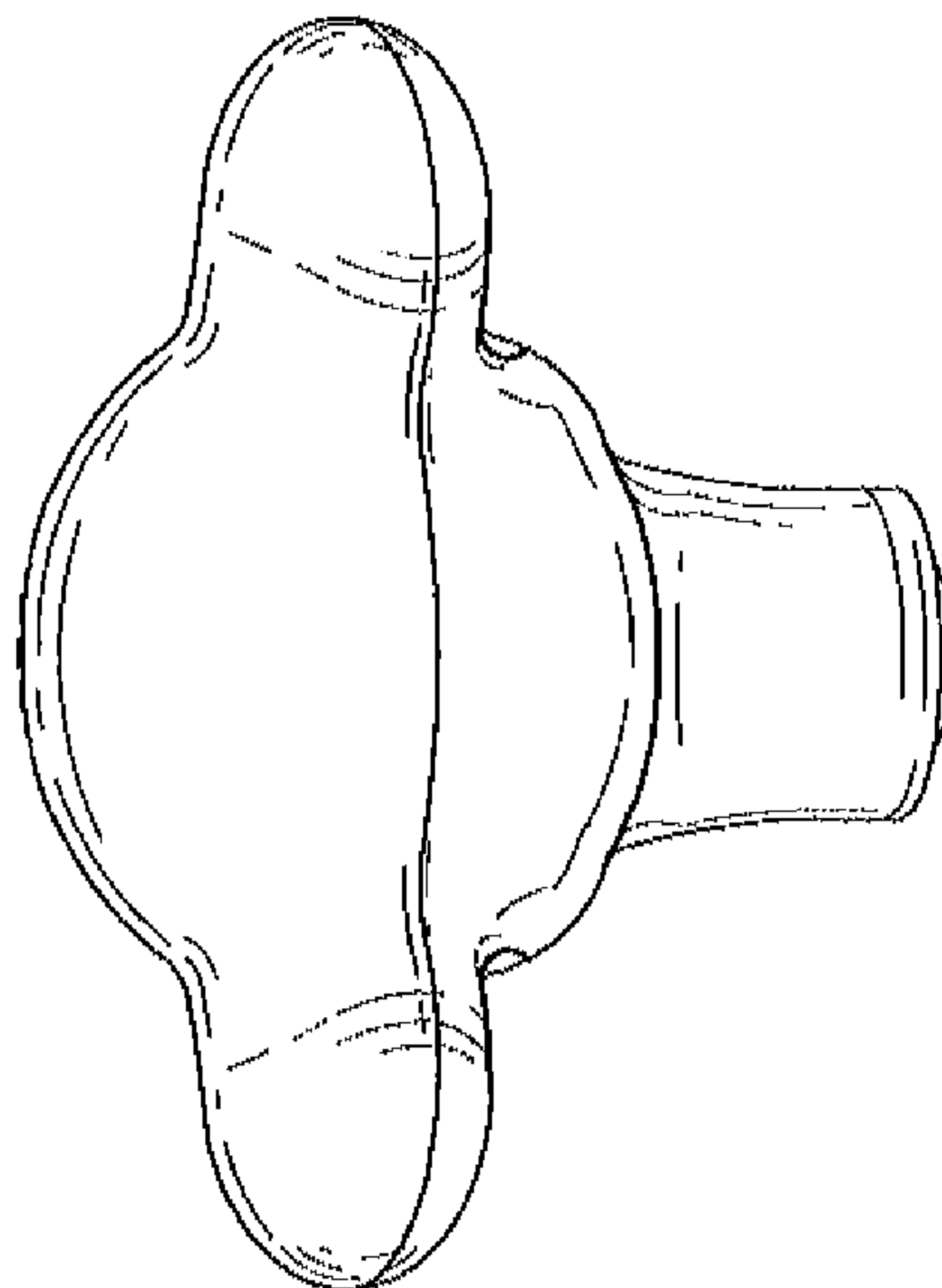


Fig-6

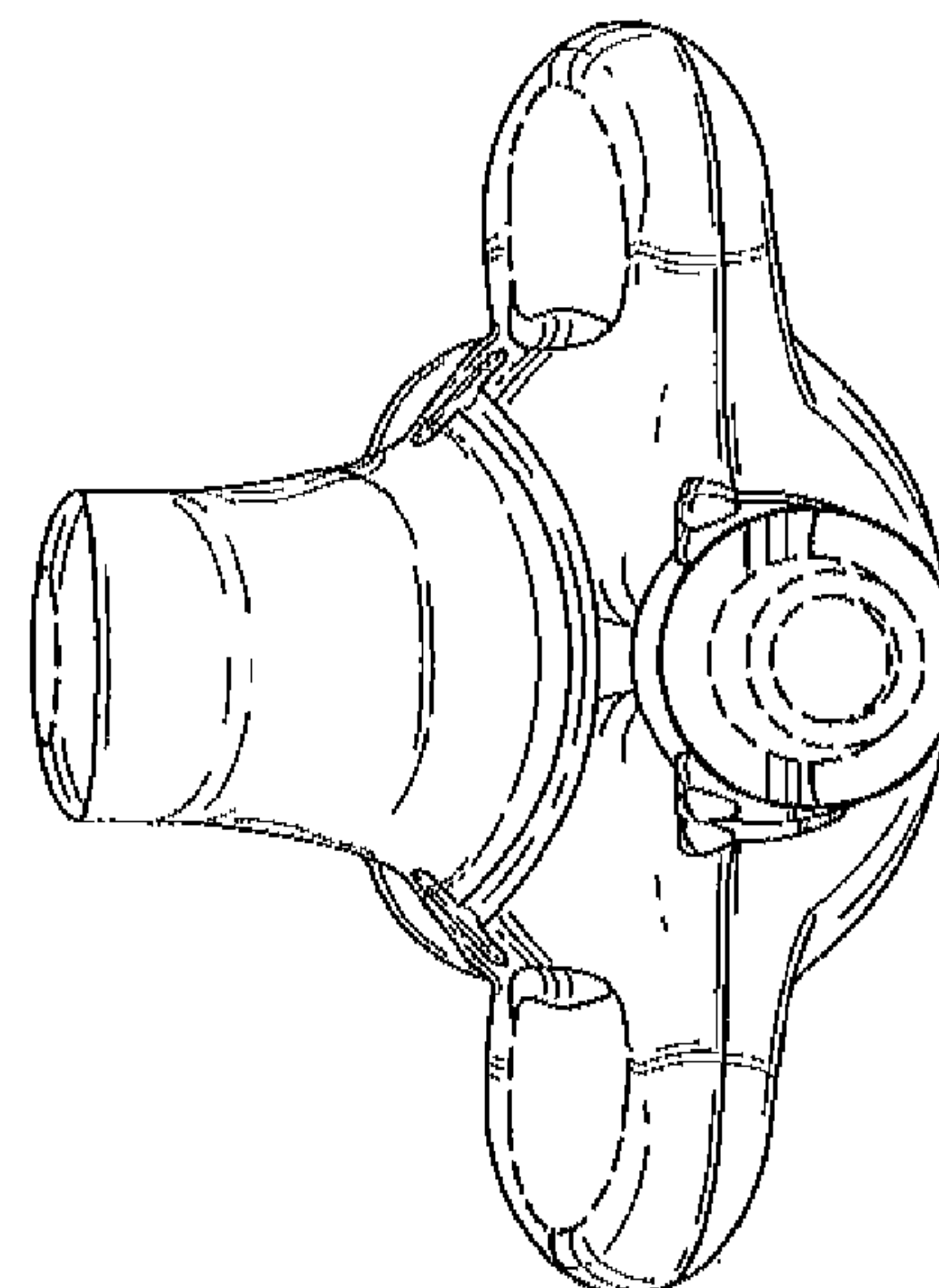


Fig-7