



US00D676926S

(12) **United States Design Patent**
Christopher

(10) **Patent No.:** **US D676,926 S**

(45) **Date of Patent:** **** Feb. 26, 2013**

(54) **GARDEN HOSE NOZZLE**

(75) Inventor: **Brent Christopher**, Centennial, CO
(US)

(73) Assignee: **Meridian International Co., Ltd.** (CN)

(**) Term: **14 Years**

(21) Appl. No.: **29/419,545**

(22) Filed: **Apr. 30, 2012**

(51) **LOC (9) Cl.** **23-01**

(52) **U.S. Cl.** **D23/213**

(58) **Field of Classification Search** D23/213,
D23/223, 226, 229, 230; 239/452, 459, 526
See application file for complete search history.

(56) **References Cited**

U.S. PATENT DOCUMENTS

1,140,259	A	*	5/1915	Elliot et al.	239/452
D194,526	S	*	2/1963	Lohmar	D23/229
D220,841	S	*	6/1971	Kelly	D23/213
D536,765	S	*	2/2007	McCaughan Hay	D23/213
D604,801	S	*	11/2009	Zore	D23/213

D658,268 S * 4/2012 Bonzer D23/213

* cited by examiner

Primary Examiner — Robin V Webster

(74) *Attorney, Agent, or Firm* — Jason R. Sytsma;
Shuttleworth & Ingersoll, PLC

(57) **CLAIM**

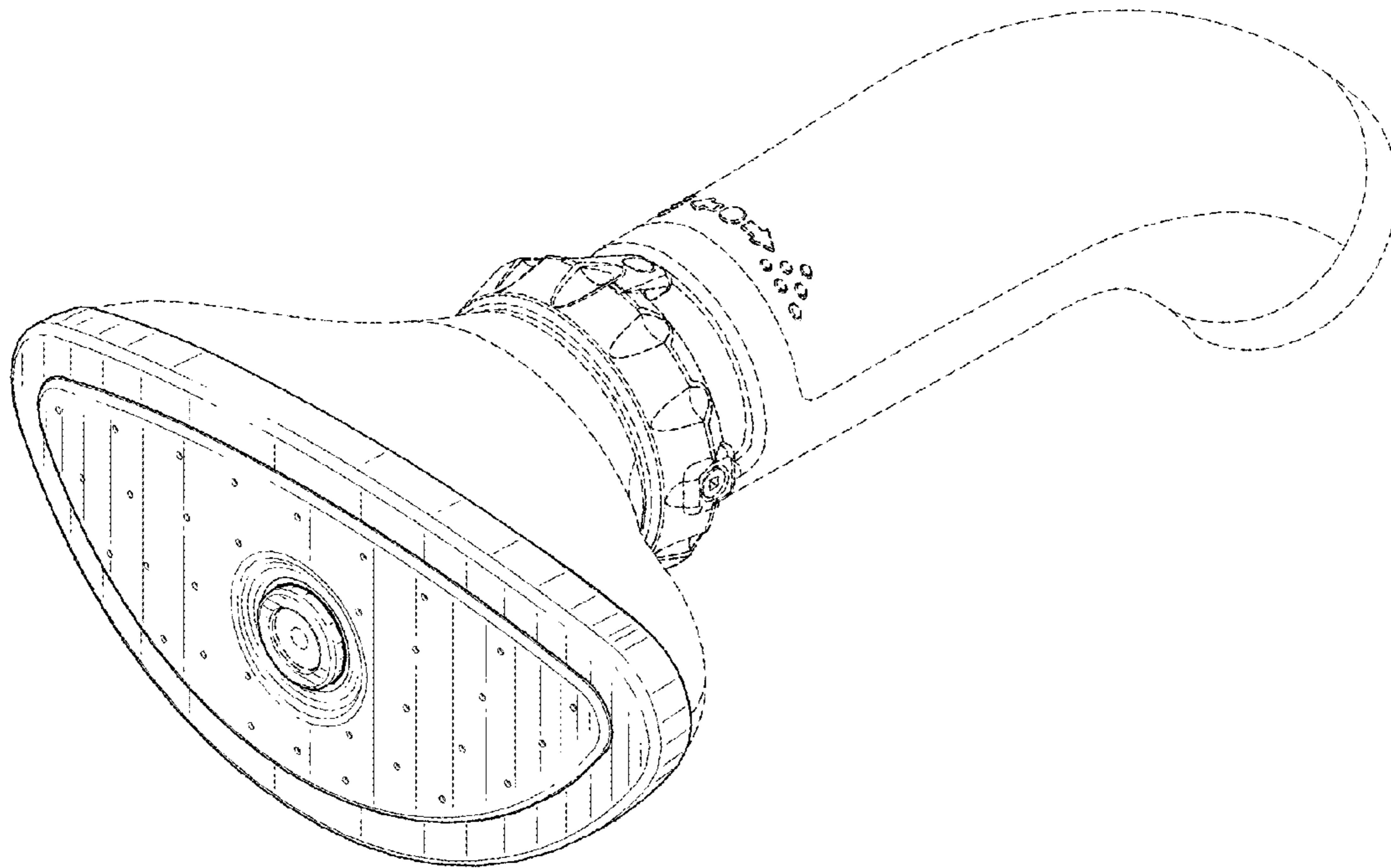
The ornamental design for the garden hose nozzle, shown and described.

DESCRIPTION

FIG. 1 is a front and right-side perspective view of a garden hose nozzle according to the invention;
FIG. 2 is a front view of the garden hose nozzle of FIG. 1;
FIG. 3 is back view of the garden hose nozzle of FIG. 1;
FIG. 4 is a right-side view of the garden hose nozzle of FIG. 1;
FIG. 5 is a left-side view of the garden hose nozzle of FIG. 1;
FIG. 6 is a top-side view of the garden hose nozzle of FIG. 1;
and,
FIG. 7 is a bottom-side view of the garden hose nozzle of FIG. 1.

The broken lines are included for the purpose of illustrating a the environment in which the claimed invention is being used, which form no part of the claimed design.

1 Claim, 5 Drawing Sheets



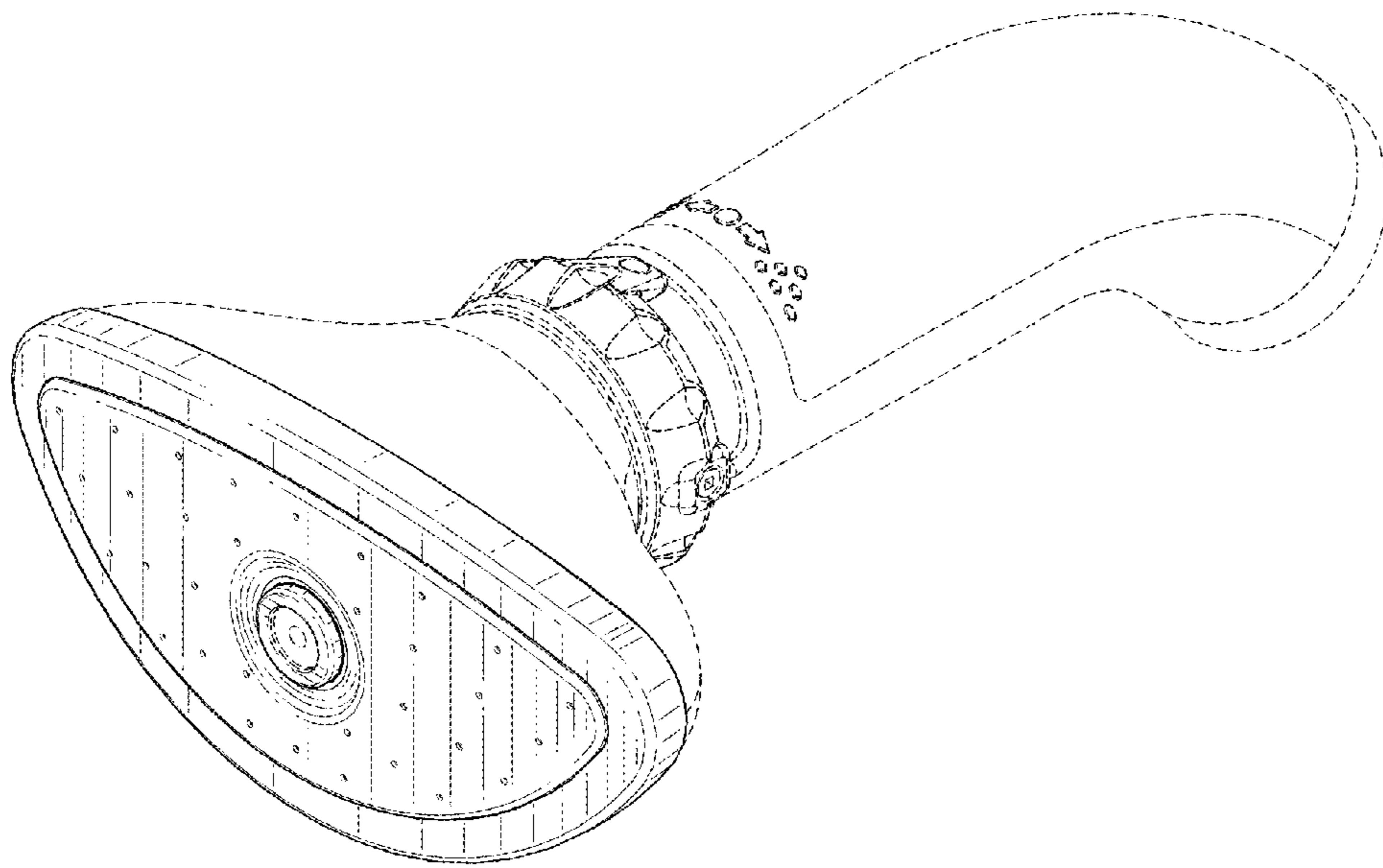


FIG. 1

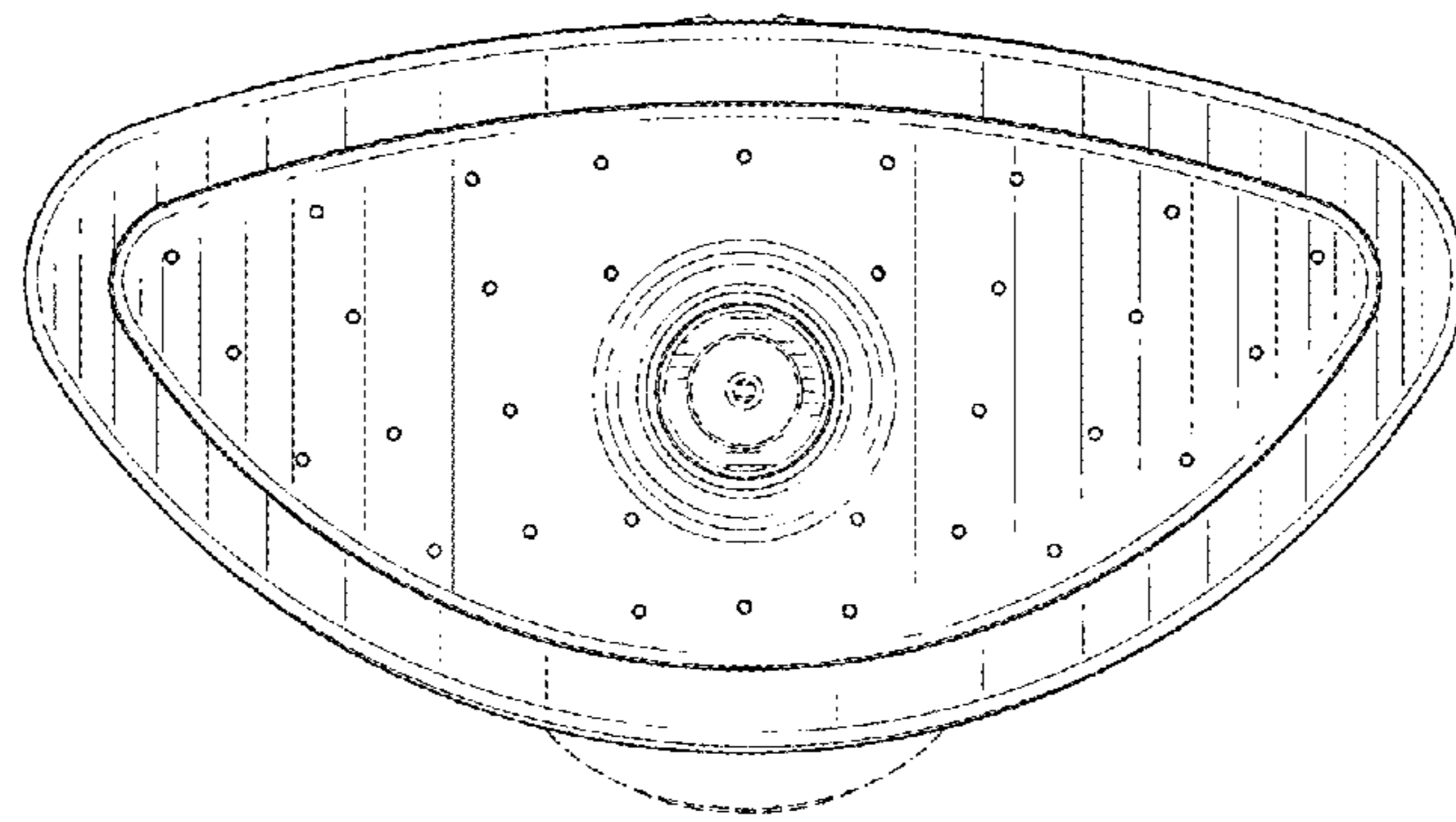


FIG. 2

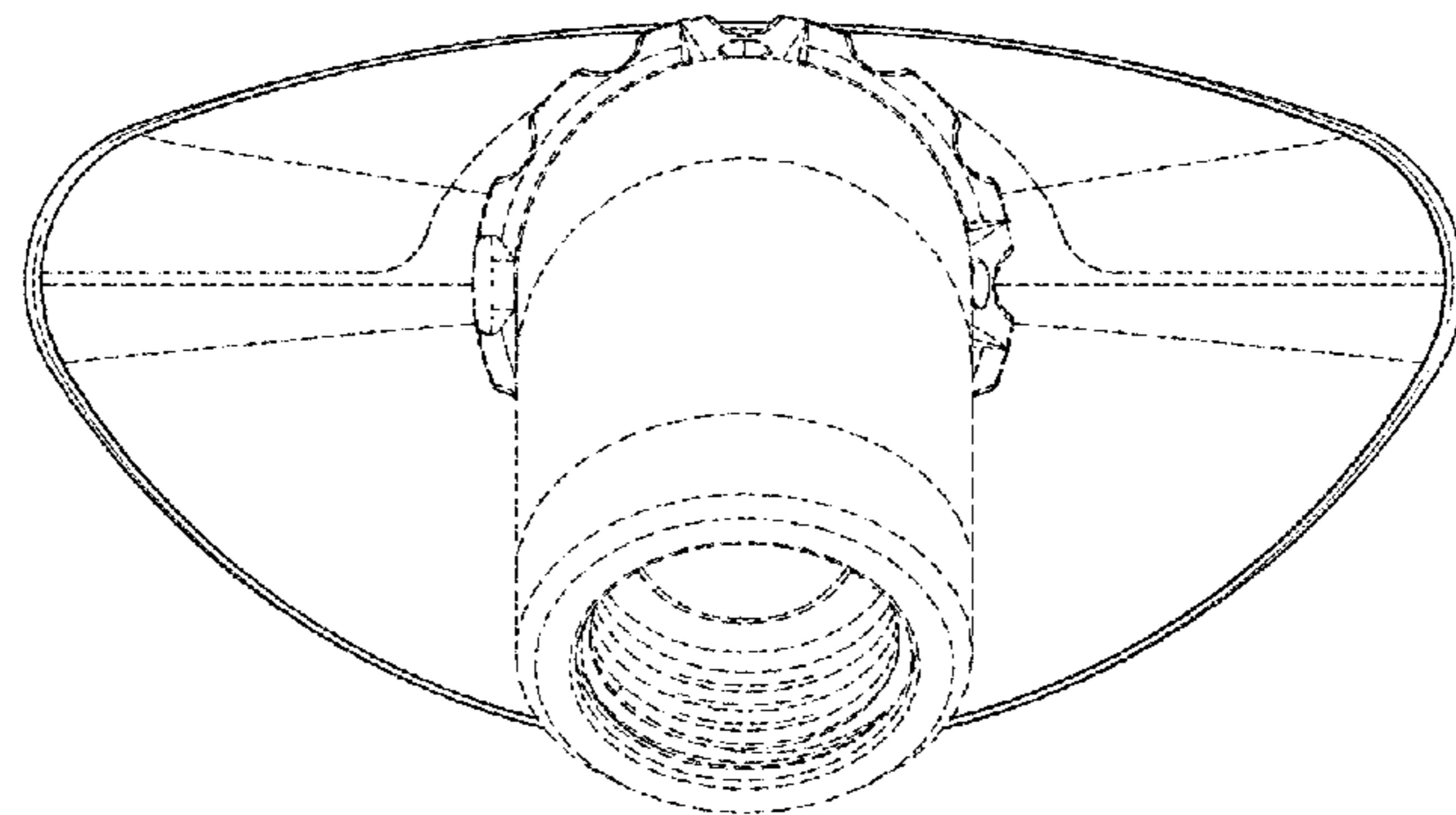


FIG. 3

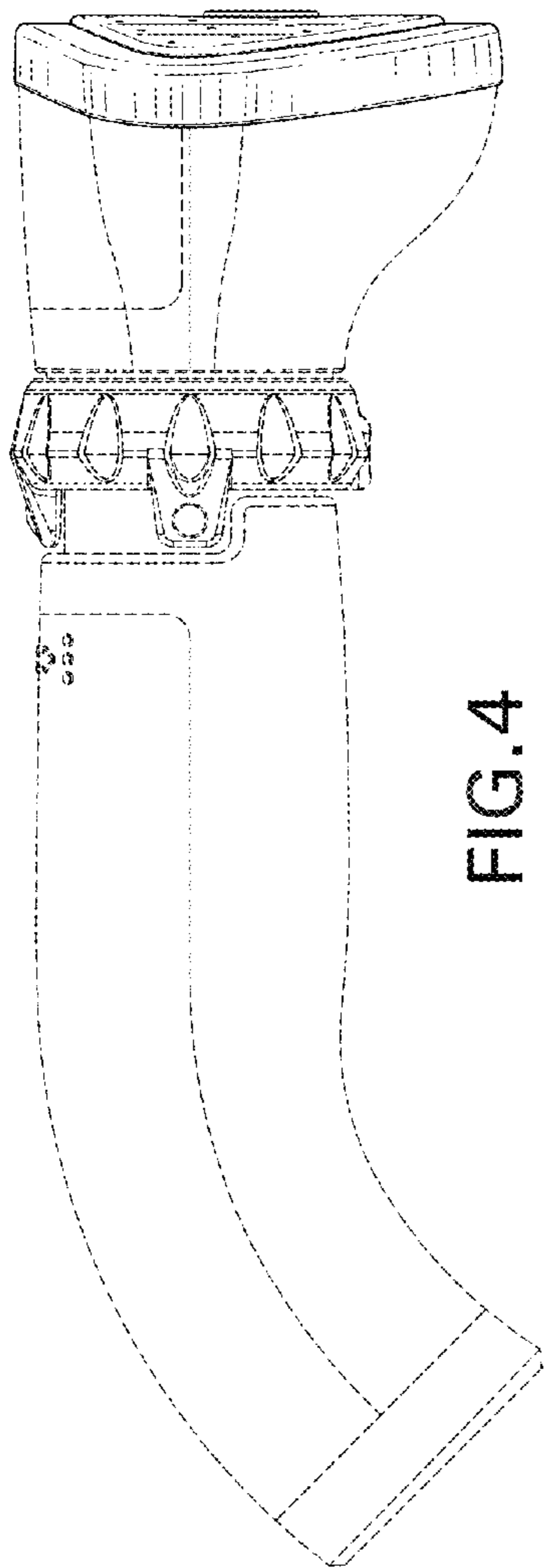


FIG. 4

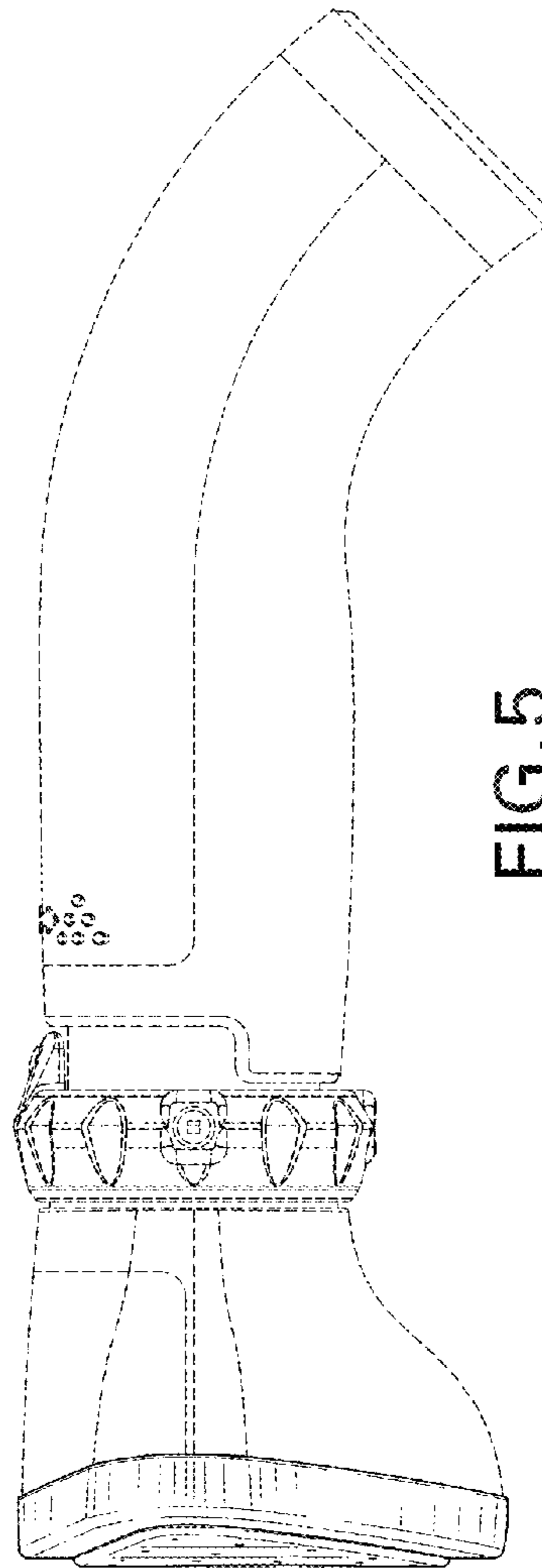


FIG. 5

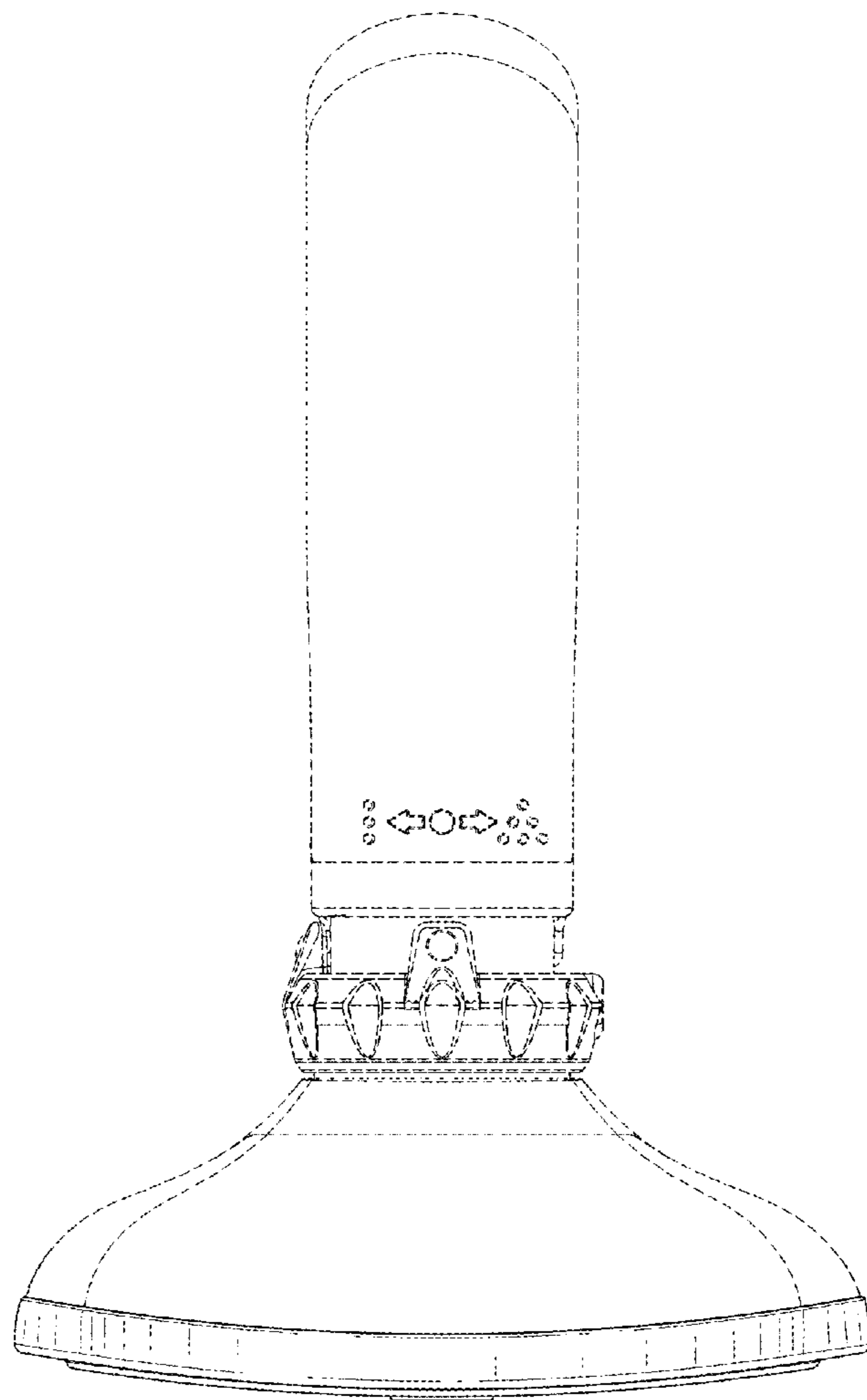


FIG. 6

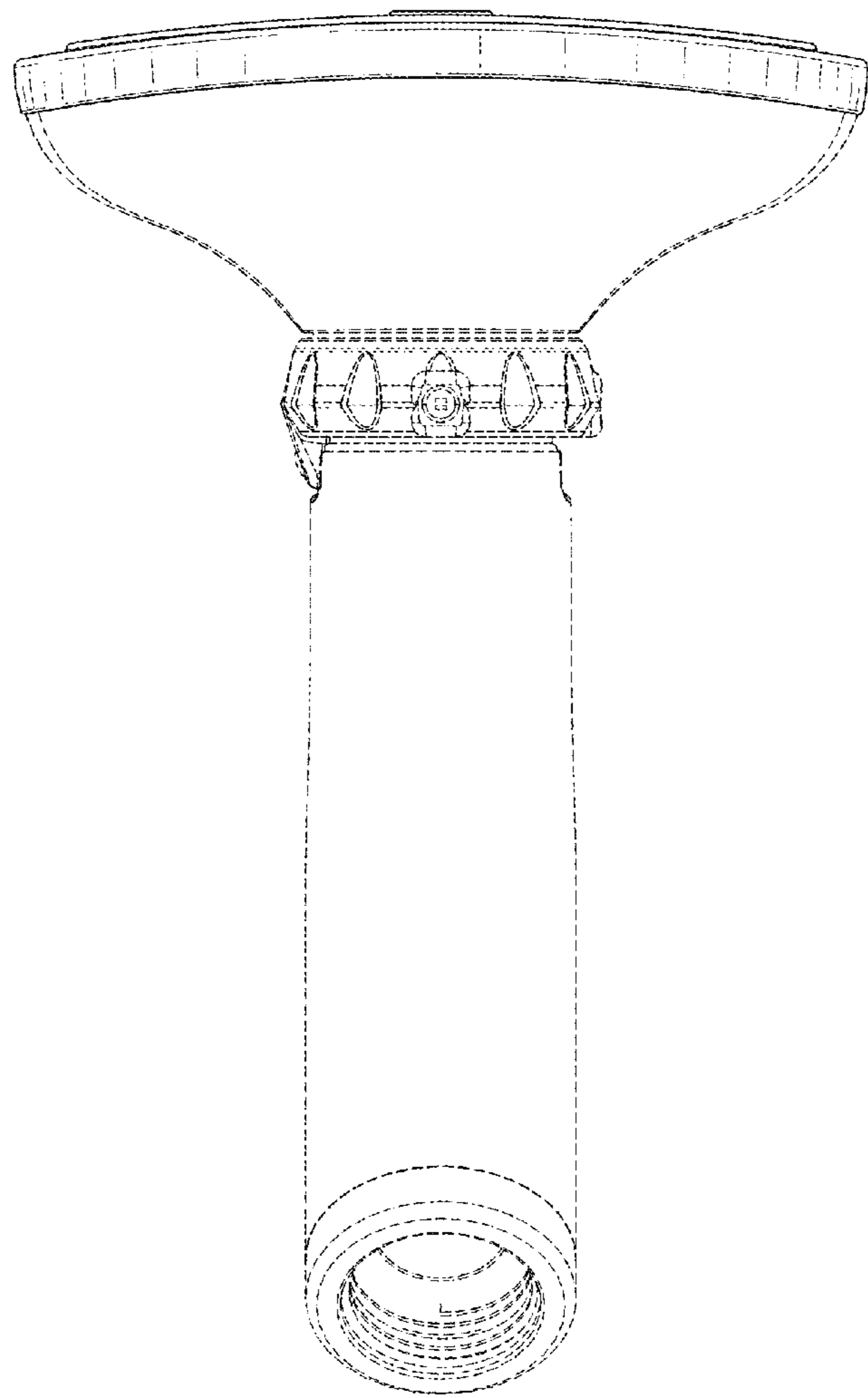


FIG. 7