



US00D676924S

(12) **United States Design Patent**
Dahlberg

(10) **Patent No.:** **US D676,924 S**

(45) **Date of Patent:** **** Feb. 26, 2013**

(54) **CRAYFISH BAIT DESIGN WITH
ARTICULATED TAIL**

D457,219 S * 5/2002 Mooneyham et al. D22/132
D465,544 S * 11/2002 Brinkman D22/132
D487,584 S * 3/2004 Brinkman D22/132
D587,336 S * 2/2009 Tsai D22/132

(76) Inventor: **Larry J. Dahlberg**, Taylors Falls, MN
(US)

* cited by examiner

(**) Term: **14 Years**

Primary Examiner — Catheri Oliver-Garcia

(21) Appl. No.: **29/429,330**

(74) *Attorney, Agent, or Firm* — Richard T. Ogawa; Ogawa
P.C.

(22) Filed: **Aug. 9, 2012**

Related U.S. Application Data

(62) Division of application No. 29/365,237, filed on Jul. 6,
2010, now Pat. No. Des. 667,920.

(51) **LOC (9) Cl.** **22-05**

(52) **U.S. Cl.** **D22/132**

(58) **Field of Classification Search** D22/126–133;
43/42.26, 42.39, 42.03, 42.08, 42.11, 42.45,
43/42.13, 42.28, 26.2, 42.1

See application file for complete search history.

(56) **References Cited**

U.S. PATENT DOCUMENTS

3,105,317 A * 10/1963 Fox 43/26.2
3,389,490 A * 6/1968 Peters et al. 43/42.1
D417,901 S * 12/1999 Poppell D22/132

(57) **CLAIM**

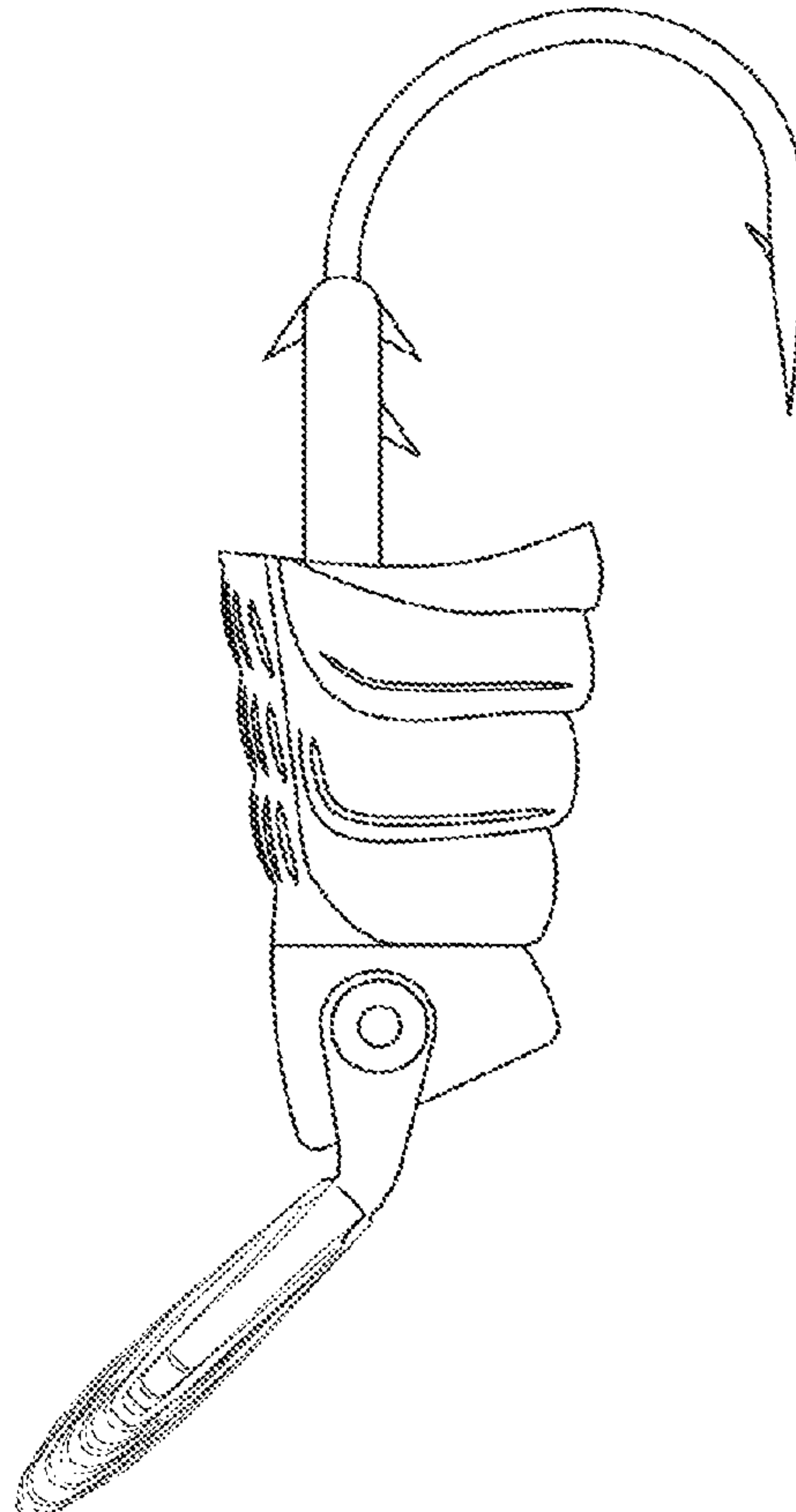
I claim the ornamental design for fish bait, as shown and
described.

DESCRIPTION

FIG. 1 is a left side elevation view of the crayfish bait design
with articulated tail;
FIG. 2 is a top plan view thereof;
FIG. 3 is a left and rear perspective view thereof; and,
FIG. 4 is a left and front perspective view thereof.

The broken lines in the drawings depict parts of the portion of
fish bait design that are not part of the claim. The broken lines
and the structures and features they depict form no part of the
claimed design.

1 Claim, 4 Drawing Sheets



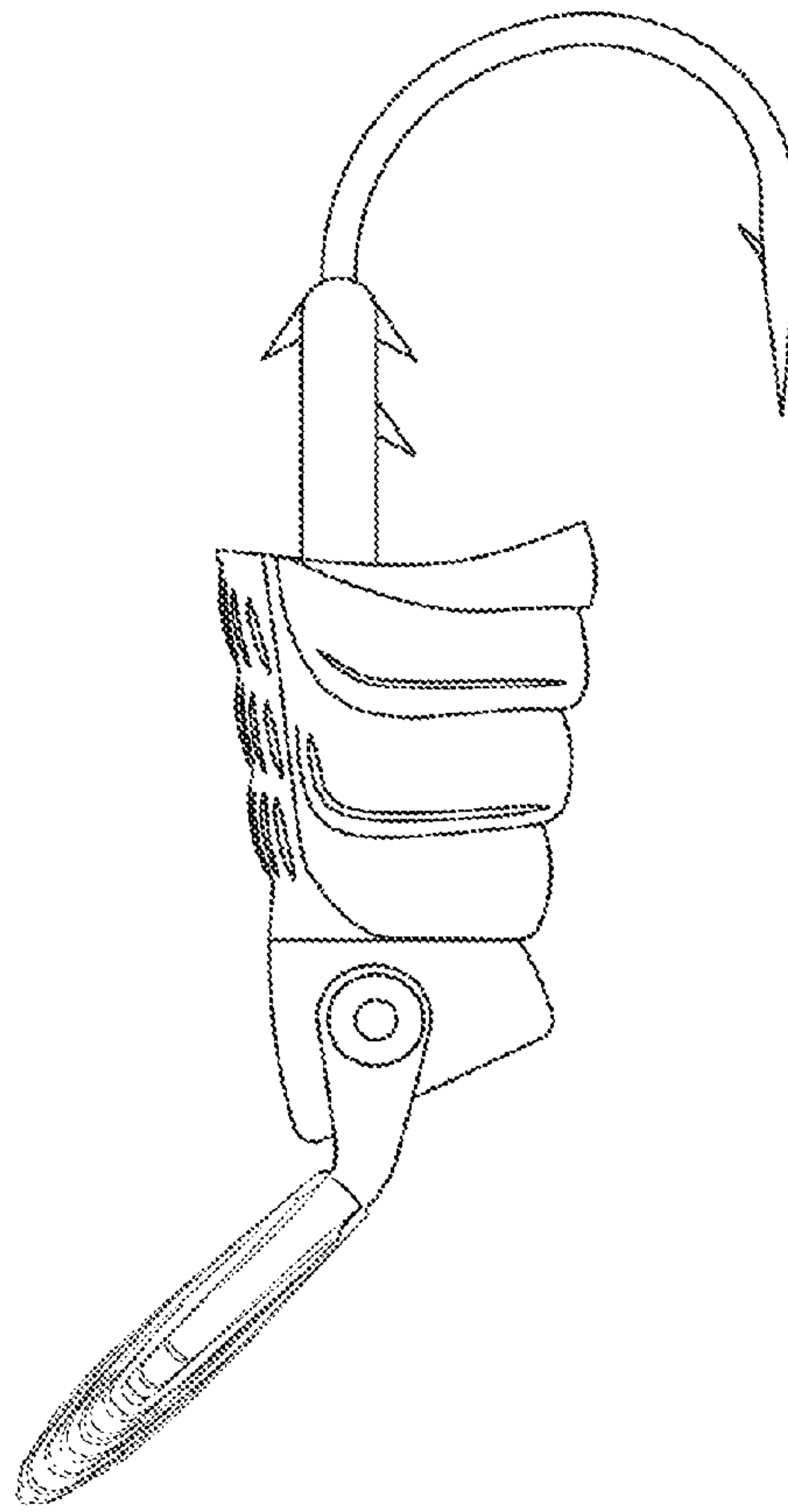


FIG. 1

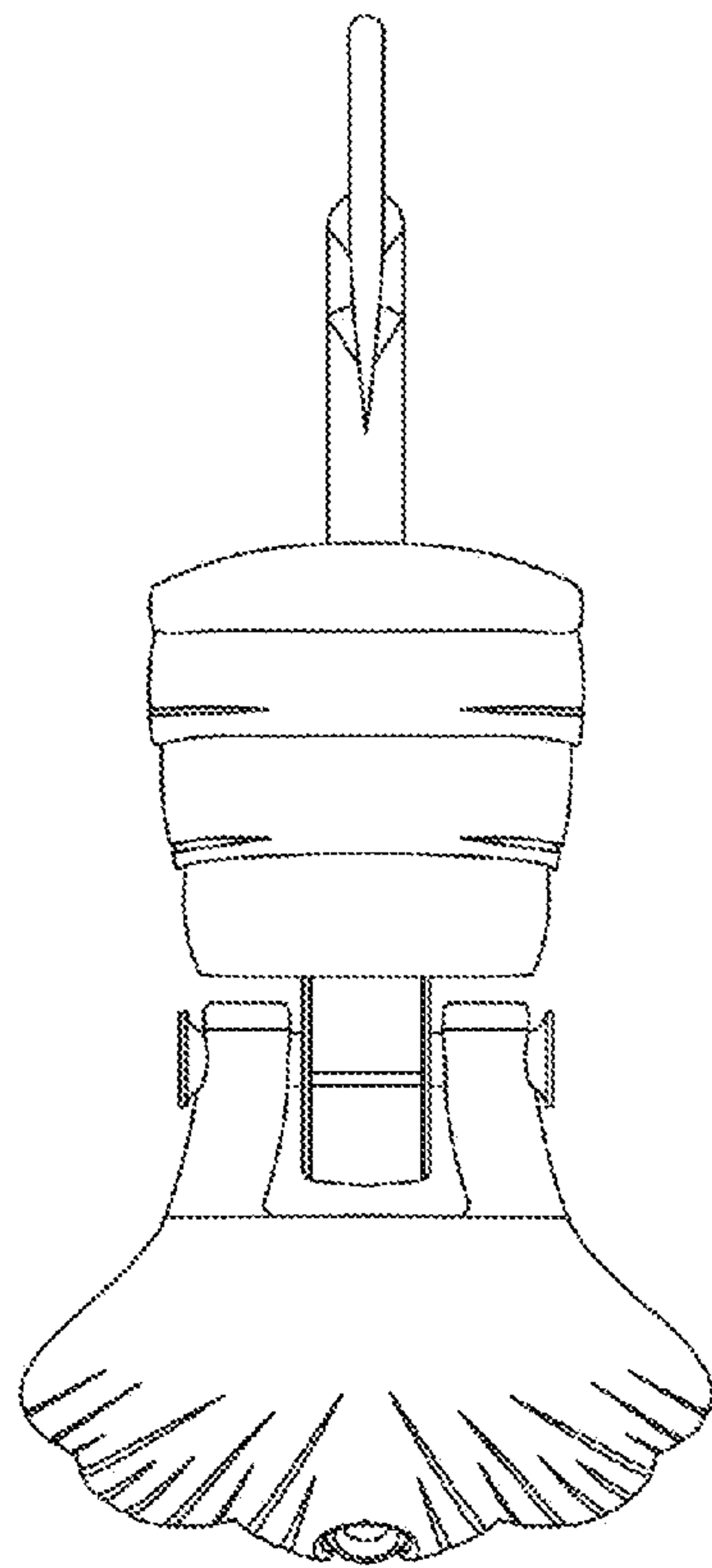


FIG. 2

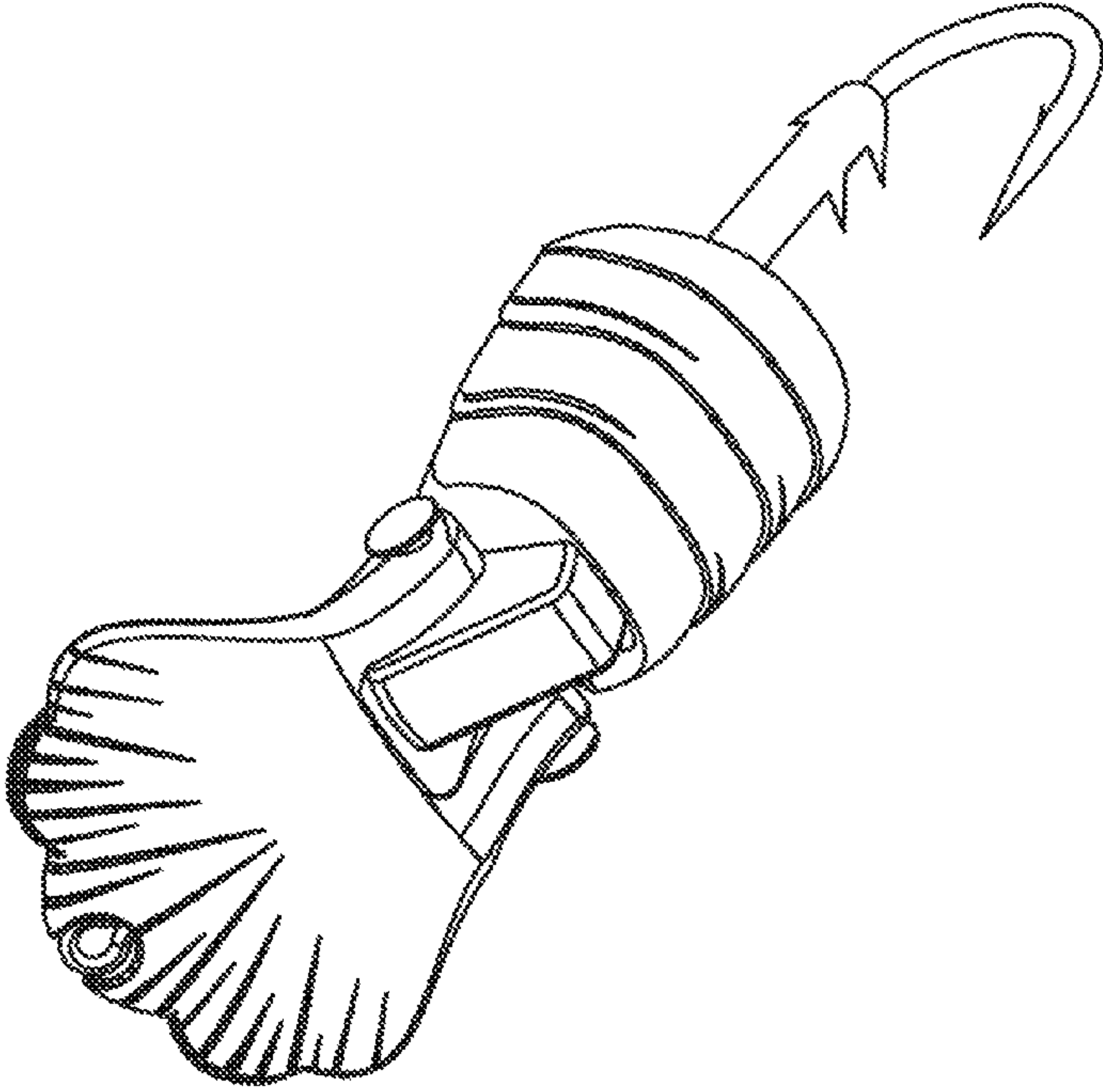


FIG. 3

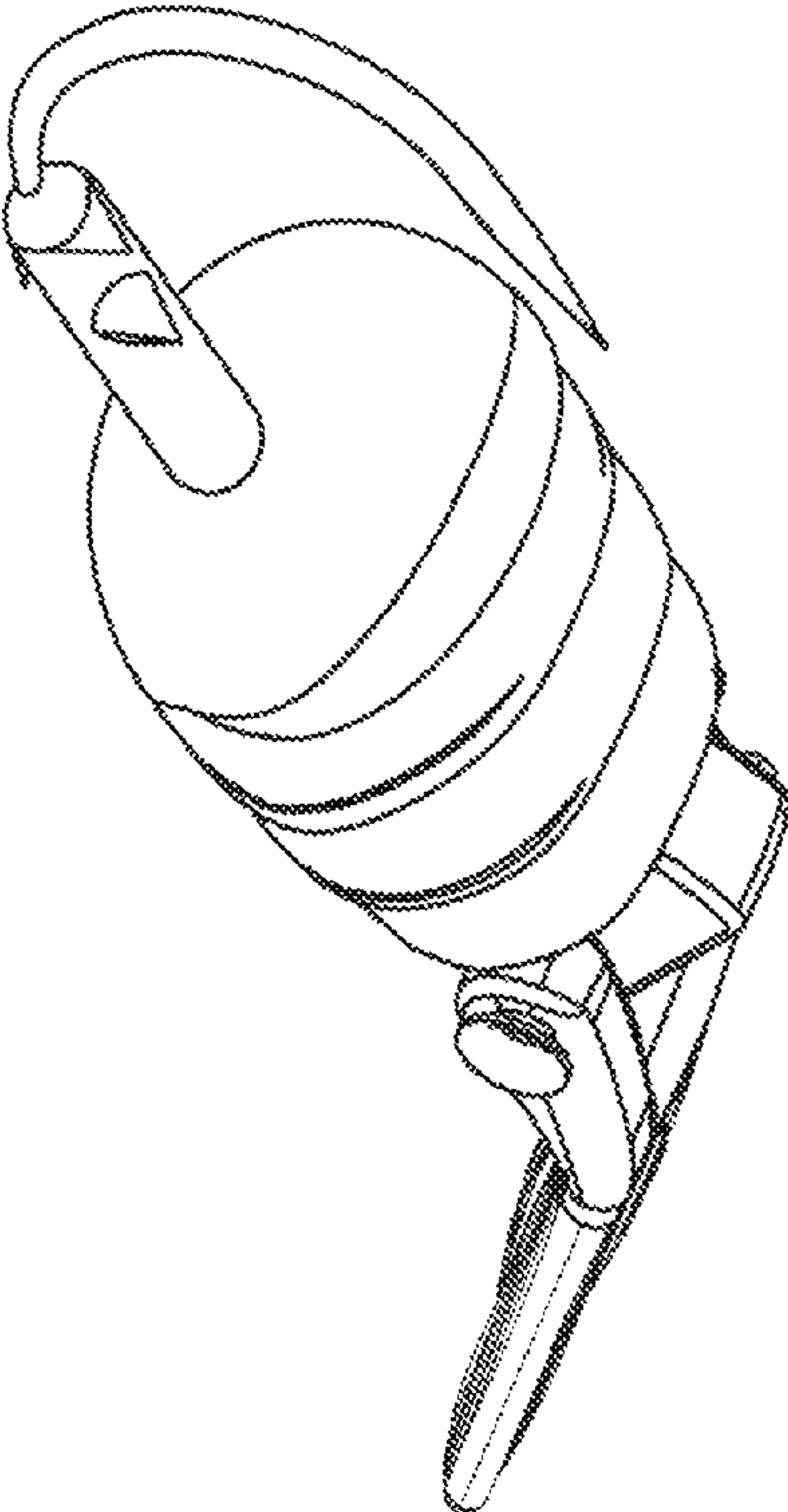


FIG. 4