



US00D676923S

(12) **United States Design Patent**
Maggiore

(10) **Patent No.:** **US D676,923 S**

(45) **Date of Patent:** **** Feb. 26, 2013**

(54) **BUG-A-SALT GUN**

D593,623 S 6/2009 Halmone
D639,352 S 6/2011 Chan
D661,356 S * 6/2012 Kleinkopf et al. D21/574

(76) Inventor: **Lorenzo Maggiore**, Santa Monica, CA
(US)

* cited by examiner

(**) Term: **14 Years**

Primary Examiner — Catheri Oliver-Garcia

(21) Appl. No.: **29/423,823**

(74) *Attorney, Agent, or Firm* — Law Office of Ken Dallara;
Ken Dallara

(22) Filed: **Jun. 5, 2012**

(51) **LOC (9) Cl.** **22-06**

(52) **U.S. Cl.** **D22/122**

(58) **Field of Classification Search** D22/119–124;
43/136–137, 132.1; D21/574–575

See application file for complete search history.

(57) **CLAIM**

An ornamental design for a bug-a-salt gun, as shown and described.

DESCRIPTION

FIG. 1 is the left side elevation view of the bug-a-salt gun showing our new design;

FIG. 2 is the right side elevation view of the gun, thereof;

FIG. 3 is the rear elevation of the gun, thereof;

FIG. 4 is the frontal elevation of the gun, thereof;

FIG. 5 is a bottom plan view of the gun thereof;

FIG. 6 is a top plan view of the gun thereof; and,

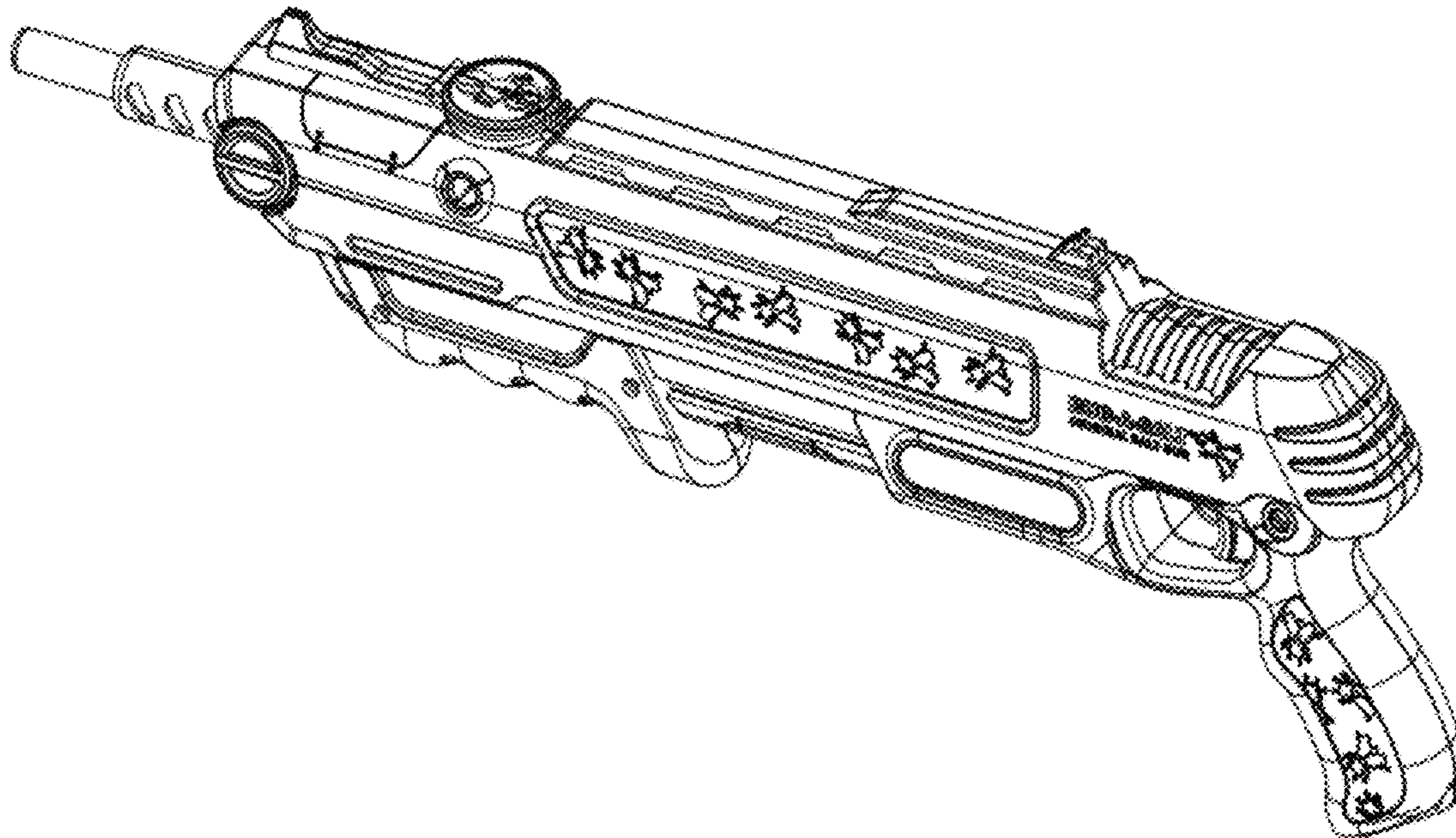
FIG. 7 is an isometric view of the upper left side thereof.

1 Claim, 3 Drawing Sheets

(56) **References Cited**

U.S. PATENT DOCUMENTS

4,850,133	A	7/1989	Burzdak	
D339,841	S	* 9/1993	Gelinas	D22/122
D418,177	S	12/1999	Lebensfeld et al.	
D442,254	S	* 5/2001	Konno	D22/122
D449,354	S	10/2001	Hornsby et al.	
D513,301	S	* 12/2005	Bennebroek	D22/122
D527,774	S	9/2006	Belokin et al.	



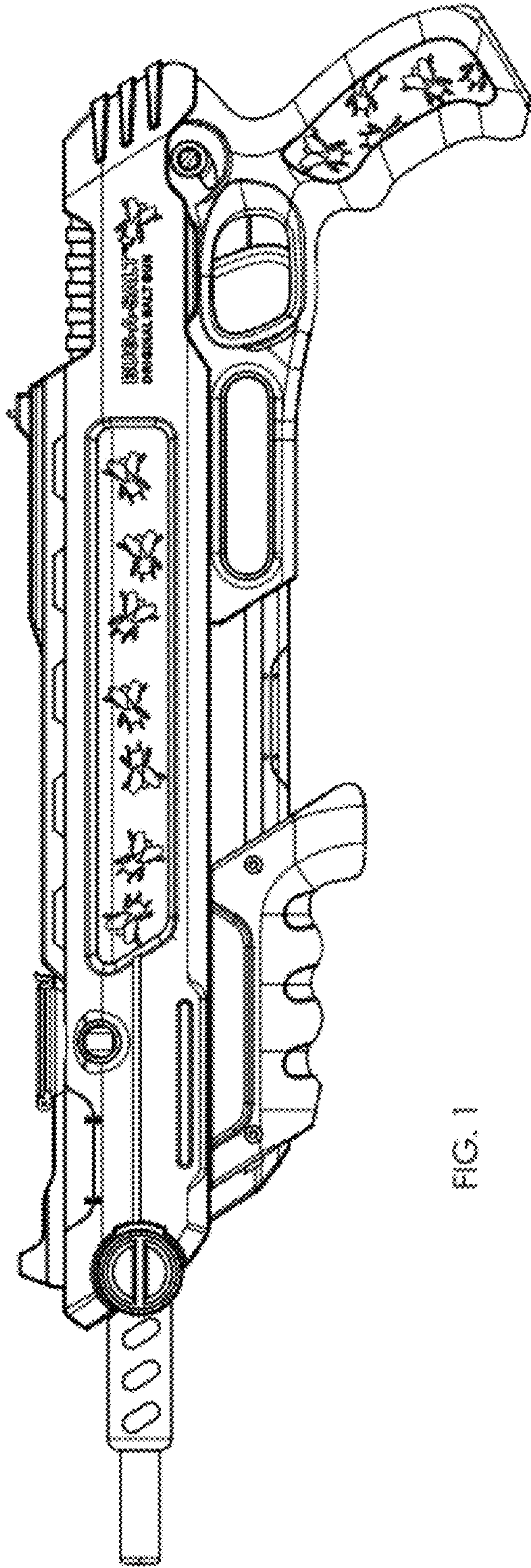


FIG. 1

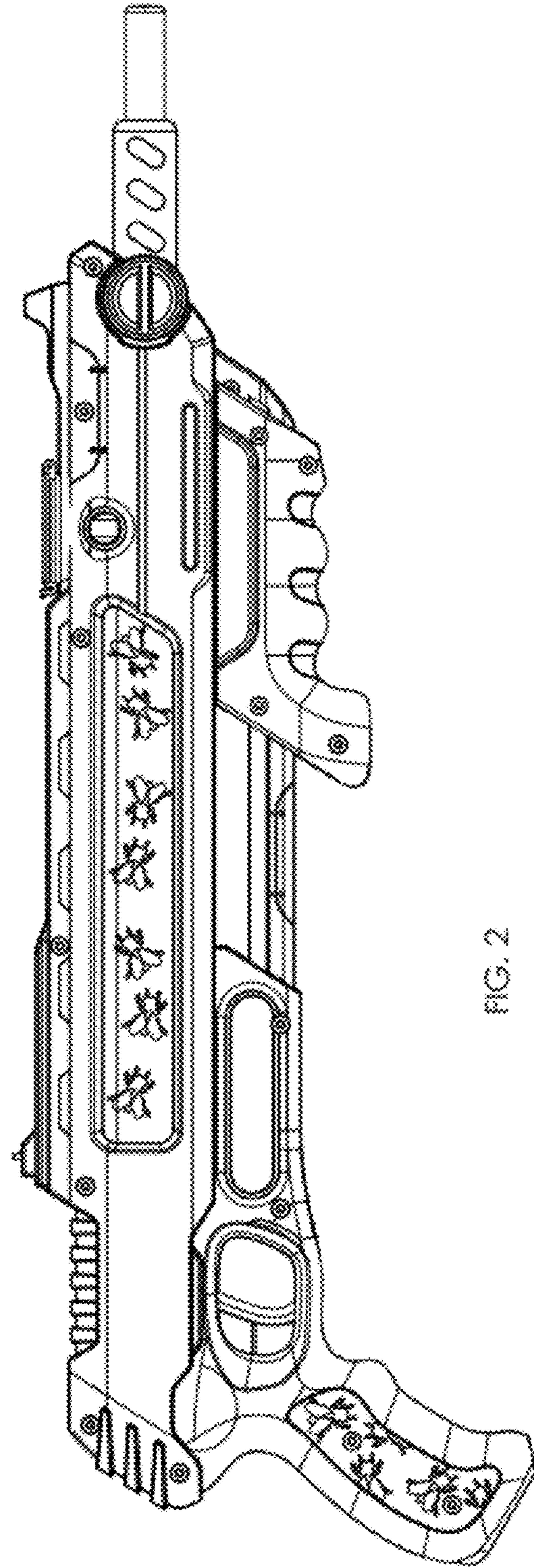


FIG. 2

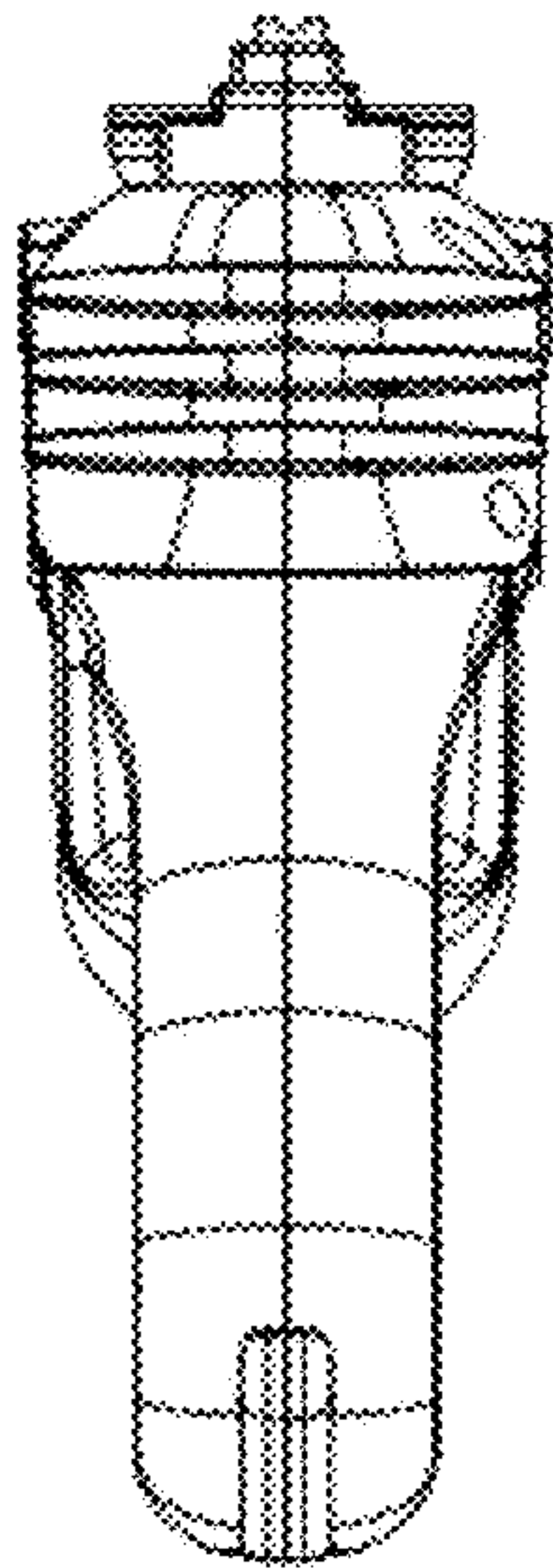


FIG. 3

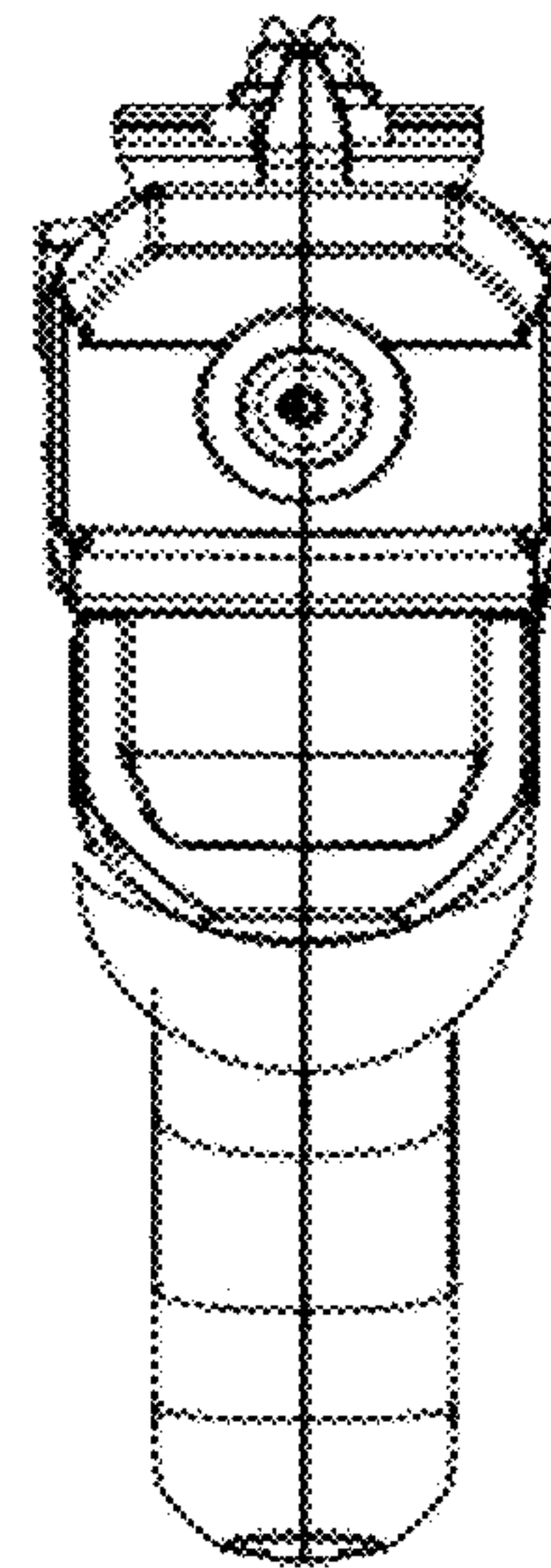


FIG. 4

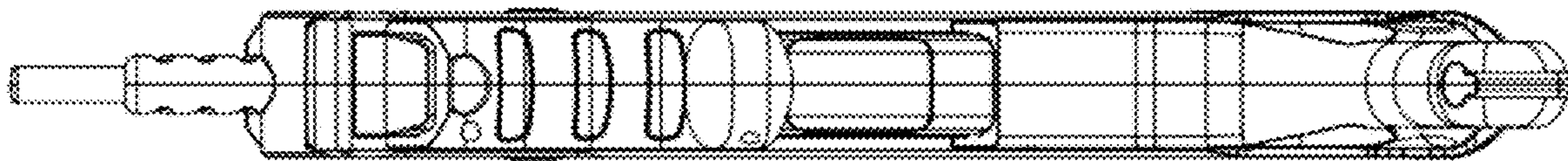


FIG. 5

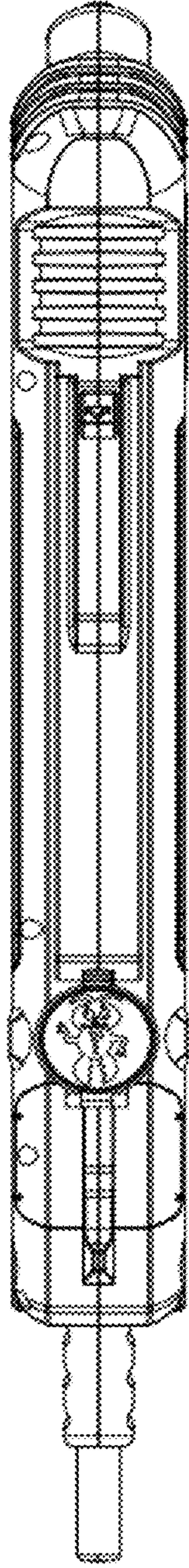


FIG. 6

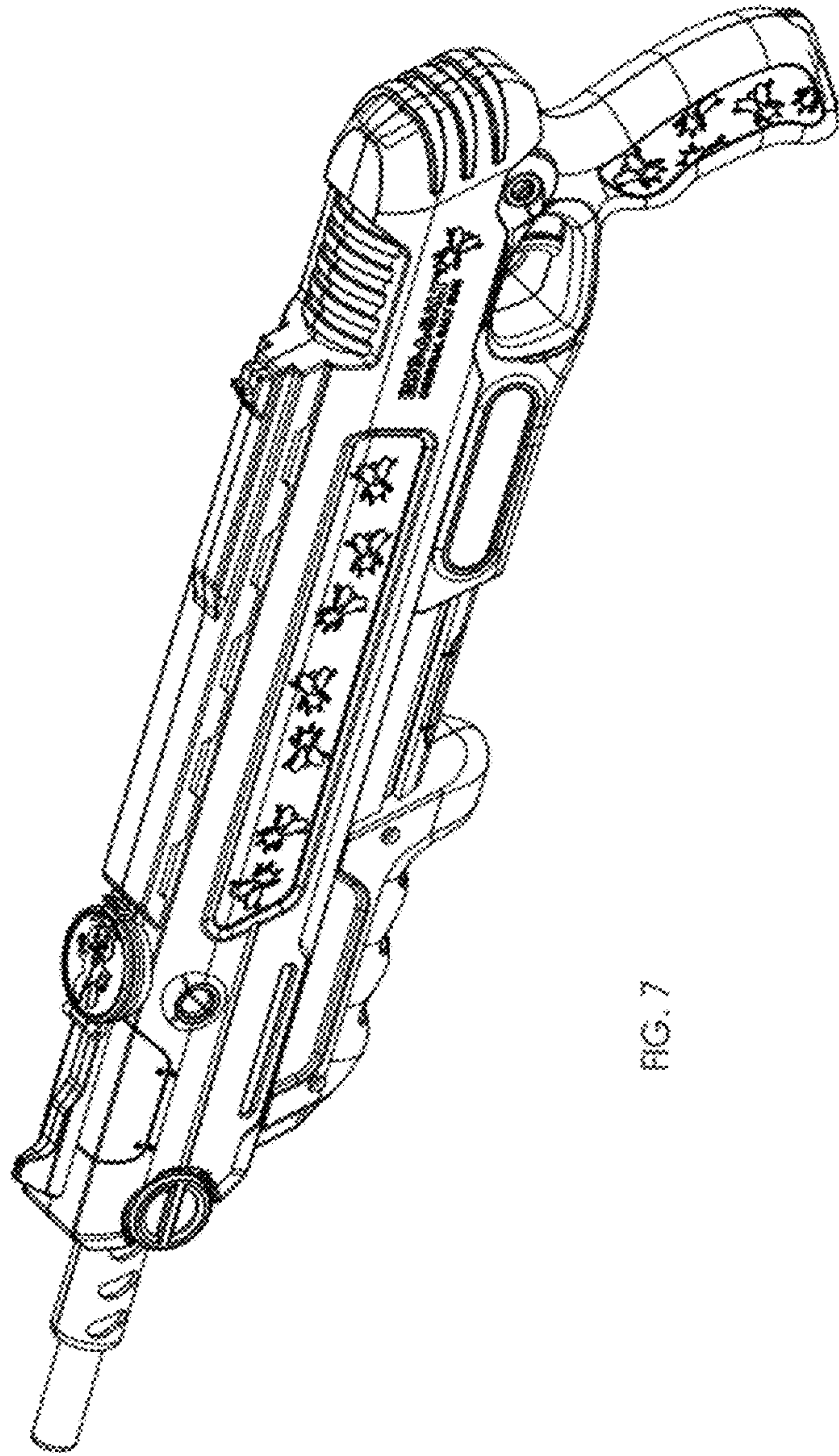


FIG. 7