



US00D676921S

(12) **United States Design Patent**
Fitzpatrick et al.

(10) **Patent No.:** **US D676,921 S**
(45) **Date of Patent:** **** Feb. 26, 2013**

- (54) **STOCK FOR A FIREARM**
- (75) Inventors: **Richard Fitzpatrick**, Longmont, CO (US); **Michael T. Mayberry**, Denver, CO (US)
- (73) Assignee: **Magpul Industries Corporation**, Erie, CO (US)
- (**) Term: **14 Years**
- (21) Appl. No.: **29/405,857**
- (22) Filed: **Nov. 7, 2011**
- (51) **LOC (9) Cl.** **22-01**
- (52) **U.S. Cl.** **D22/108**
- (58) **Field of Classification Search** D22/100, D22/101, 103, 104, 108; 42/51, 90, 71.01, 42/71.02, 73, 75.01, 75.02; 89/40.06, 37.04, 89/33.04; D21/572-573
See application file for complete search history.

D551,313	S	9/2007	Saur	
D603,013	S	10/2009	Fitzpatrick	
D606,614	S	12/2009	Fitzpatrick	
7,647,719	B2	1/2010	Fitzpatrick	
D636,833	S	4/2011	Mayberry	
D636,834	S	4/2011	Mayberry	
D639,891	S	6/2011	Chvala	
D640,342	S	6/2011	Fitzpatrick	
D645,110	S	9/2011	Cook	
D648,412	S	11/2011	Cook	
D661,366	S	6/2012	Zusman	
2007/0130817	A1	6/2007	Ballard	
2007/0180984	A1*	8/2007	Huther	89/148
2008/0028662	A1	2/2008	Abraham	
2008/0052979	A1	3/2008	Lee	
2008/0168695	A1	7/2008	Nakayama	
2008/0236016	A1	10/2008	Fitzpatrick	

(Continued)

OTHER PUBLICATIONS

Command Arms Accessories Online Catalog (2008) SRS Product Information.

(Continued)

Primary Examiner — Michael A Pratt
(74) *Attorney, Agent, or Firm* — Swanson & Bratschun, L.L.C.

(56) **References Cited**
U.S. PATENT DOCUMENTS

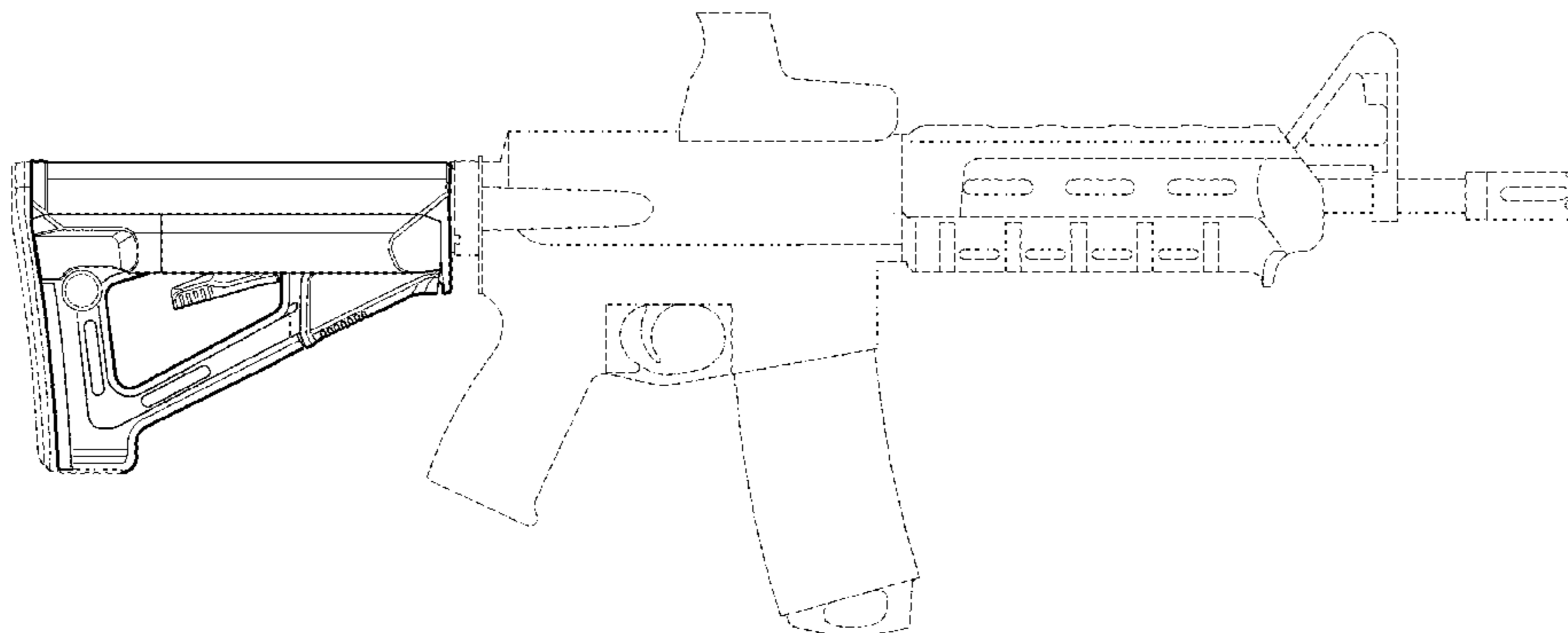
1,032,628	A	7/1912	Sherman
1,651,299	A	11/1927	Stansel
D196,304	S	9/1963	Hoge
3,618,249	A	11/1971	Grandy
3,710,496	A	1/1973	Packmayr
4,122,623	A	10/1978	Stice
4,589,219	A	5/1986	Milliman
4,663,877	A	5/1987	Bragg
4,788,785	A	12/1988	White
D304,223	S	10/1989	Ruger
4,896,446	A	1/1990	Gregory
5,031,348	A	7/1991	Carey
5,075,995	A	12/1991	Kennel
D324,557	S	3/1992	Livingston
5,933,997	A	8/1999	Barrett
D462,104	S	8/2002	McCarthy
6,598,330	B2	7/2003	Garrett
6,637,141	B1	10/2003	Weatherby
D514,123	S	1/2006	Naruki
D516,660	S	3/2006	Murello et al.
D516,807	S	3/2006	Richardson
D517,637	S	3/2006	Murello
7,162,823	B2	1/2007	Schoppman

(57) **CLAIM**
The ornamental design for a stock for a firearm, as shown and described.

DESCRIPTION

FIG. 1 is a right side elevation view of a rifle stock attached to a firearm showing my new design;
FIG. 2 is a left, rear, bottom perspective view of the rifle stock of FIG. 1 with the firearm omitted;
FIG. 3 is a left side elevation view of the rifle stock of FIG. 1;
FIG. 4 is a rear elevation view of the rifle stock of FIG. 1;
FIG. 5 is a front elevation view of the rifle stock of FIG. 1;
FIG. 6 is a top plan view of the rifle stock of FIG. 1; and,
FIG. 7 is a bottom plan view of the rifle stock of FIG. 1.
The broken lines showing portions of the design in all figures is included for the purpose of illustrating environment and unclaimed features and forms not part of the claimed design.

1 Claim, 6 Drawing Sheets



US D676,921 S

Page 2

U.S. PATENT DOCUMENTS

2008/0236017	A1	10/2008	Fitzpatrick	
2009/0241397	A1	10/2009	Fitzpatrick	
2010/0205846	A1	8/2010	Fitzpatrick et al.	
2010/0251590	A1	10/2010	Fitzpatrick	
2011/0173863	A1*	7/2011	Ingram	42/73
2011/0192067	A1*	8/2011	Troy	42/73
2011/0283586	A1*	11/2011	Scallie et al.	42/84
2012/0073177	A1	3/2012	Laney	
2012/0174455	A1*	7/2012	Edelman et al.	42/71.01
2012/0174456	A1*	7/2012	DePierro et al.	42/71.01
2012/0174457	A1*	7/2012	Edelman	42/72
2012/0279384	A1*	11/2012	Hochstrate et al.	89/142

OTHER PUBLICATIONS

Heckler & Koch Online Catalog (2008) PSG1A1 Product Information.

Magpul Online Catalog (2007) FAL Preproduction Product Information.

Magpul Online Catalog (2007) PRS Ar15/M16 Product Information.

U.S. Appl. No. 29/399,326, filed Aug. 12, 2011, "ACS Rifle Stock" by Fitzpatrick.

U.S. Appl. No. 29/403,627, filed Oct. 7, 2011, "870 Stock" by Mayberry.

* cited by examiner

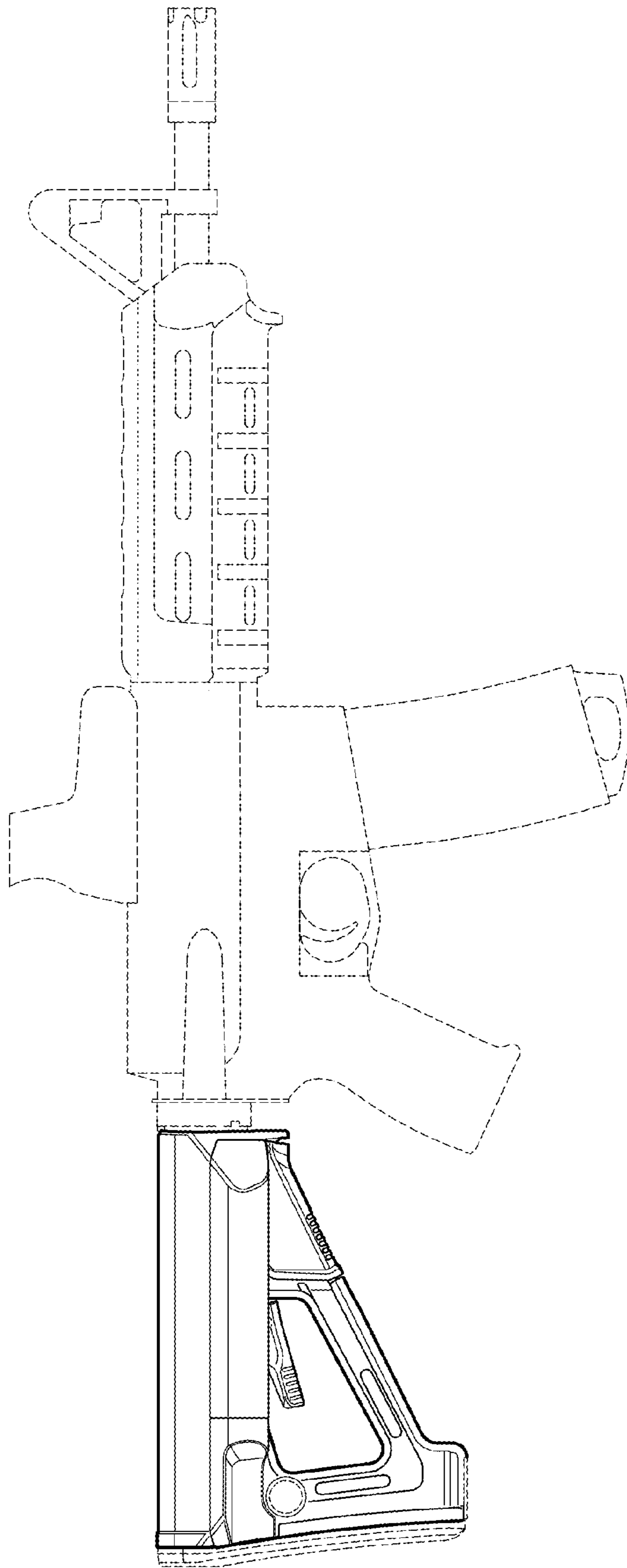


FIG. 1

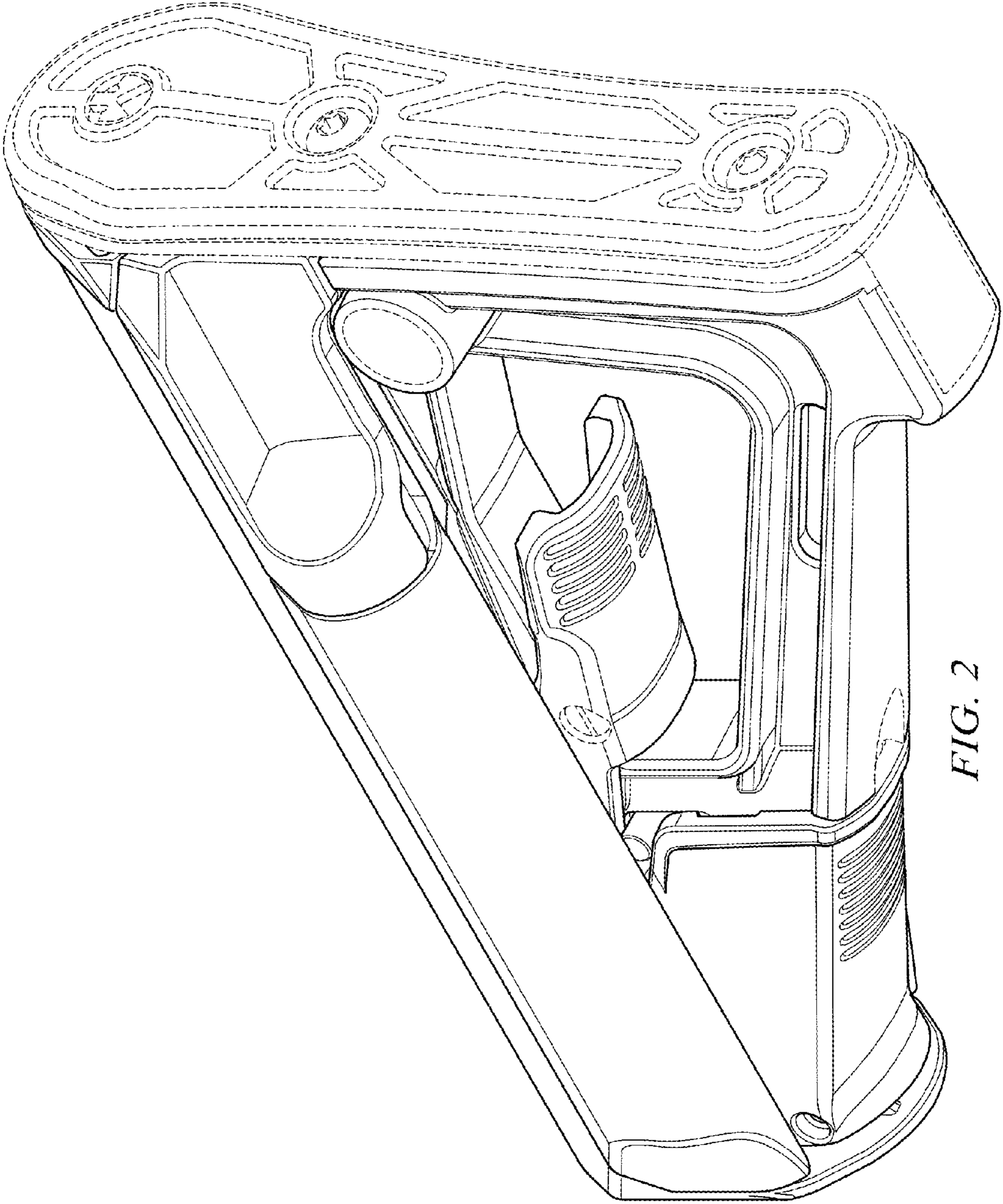


FIG. 2

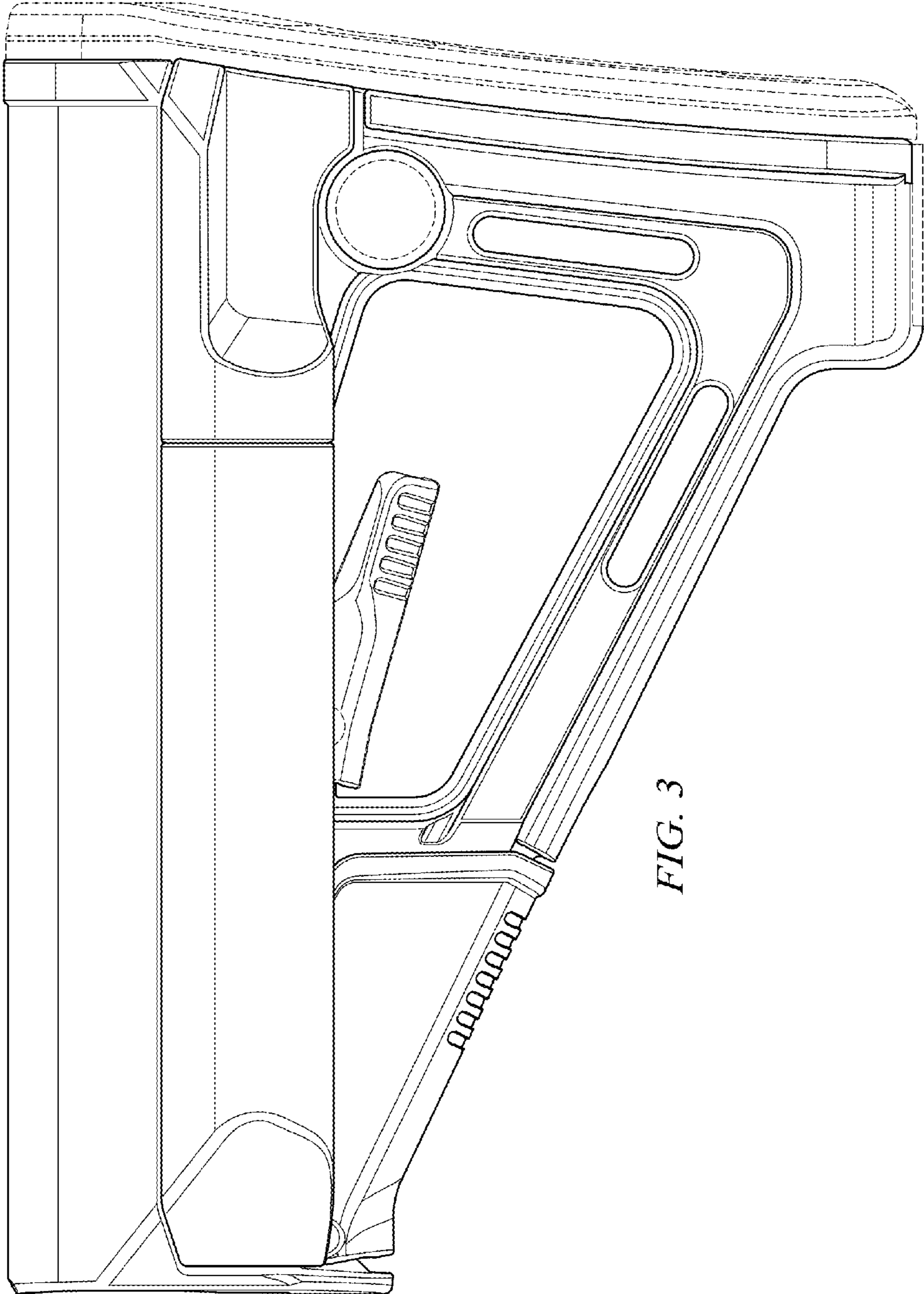


FIG. 3

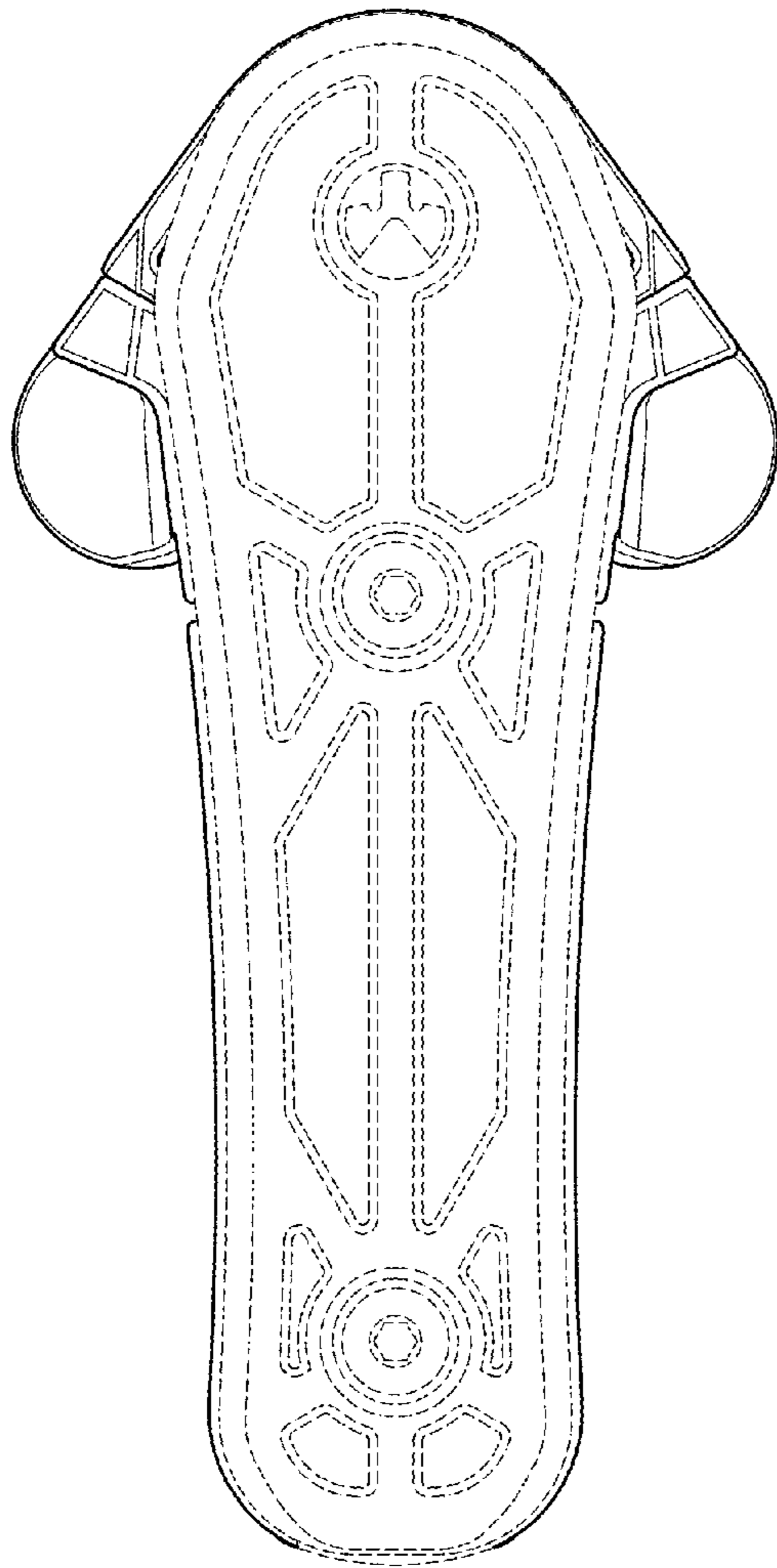


FIG. 4

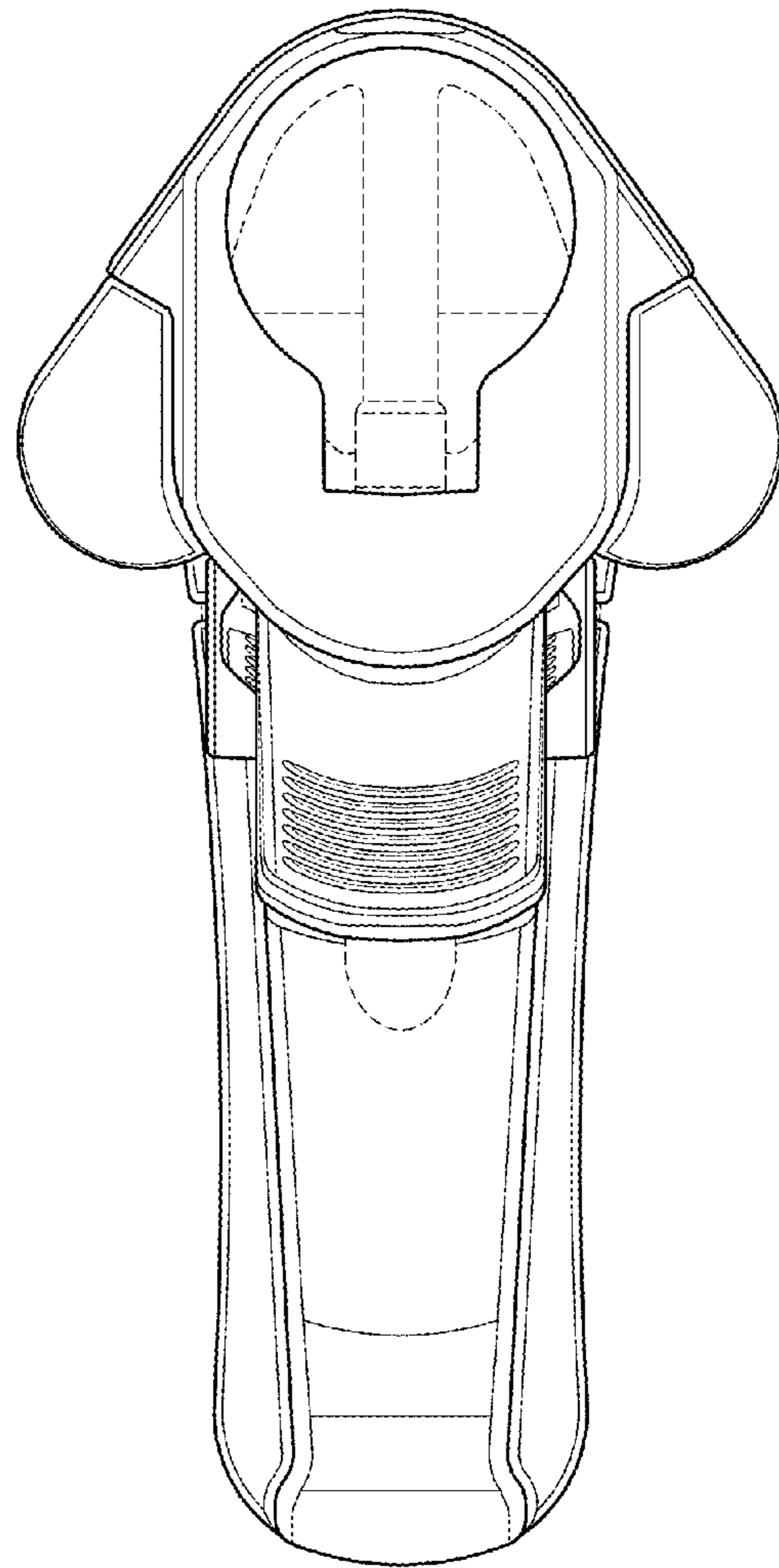


FIG. 5

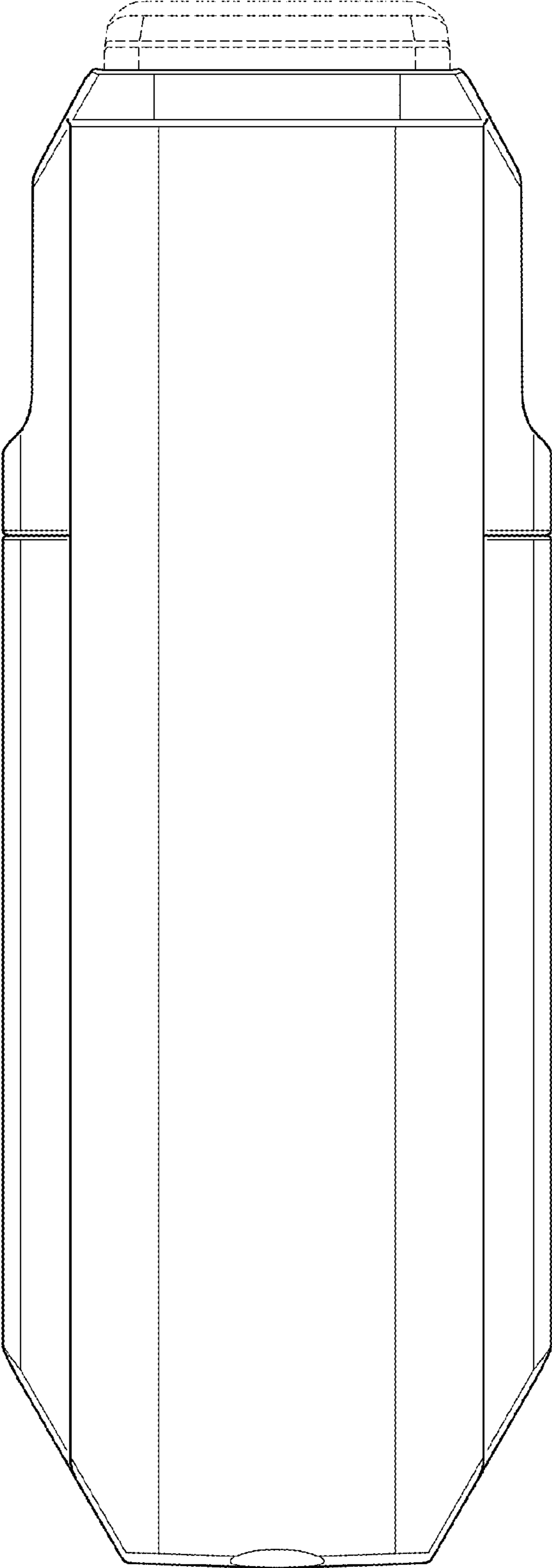


FIG. 6

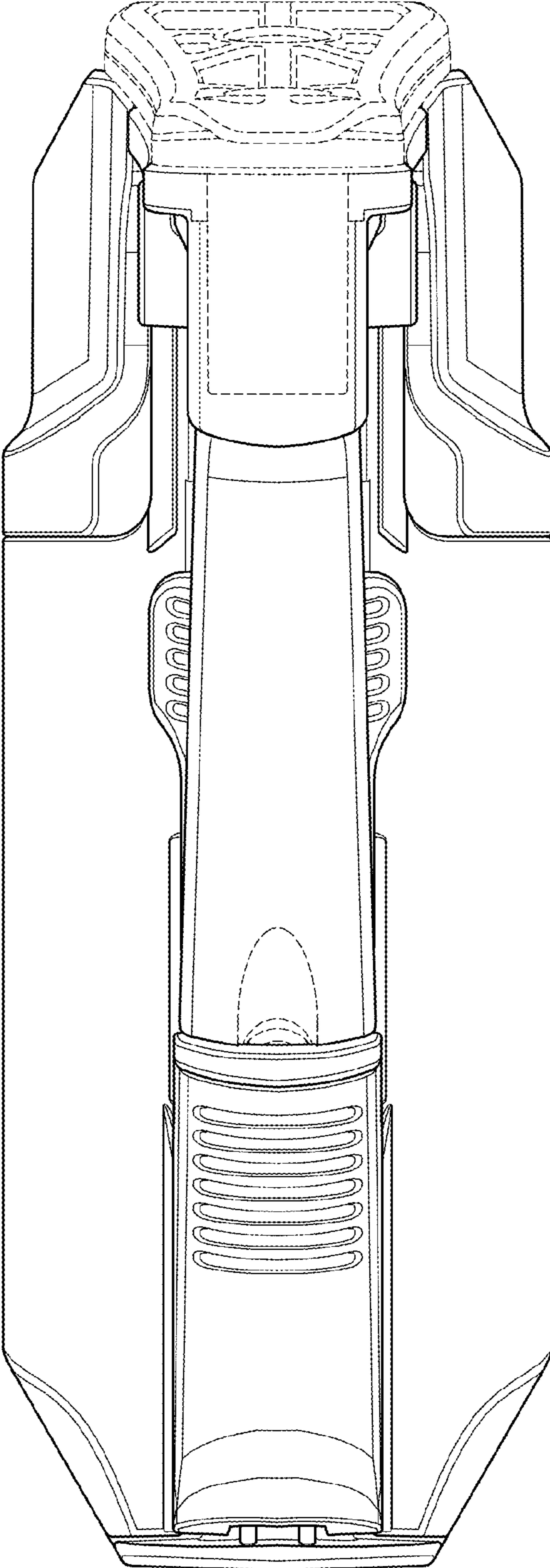


FIG. 7