



US00D676919S

(12) **United States Design Patent**
Delgado Acarreta

(10) **Patent No.:** **US D676,919 S**
(45) **Date of Patent:** **** Feb. 26, 2013**

(54) **DISPLAY UNIT FOR FIREARMS**
(76) Inventor: **Raúl Delgado Acarreta**, Navarra (ES)
(**) Term: **14 Years**
(21) Appl. No.: **29/397,267**
(22) Filed: **Jul. 13, 2011**
(51) **LOC (9) Cl.** **22-01**
(52) **U.S. Cl.** **D22/108**
(58) **Field of Classification Search** D22/108–110,
D22/199; D16/132, 130, 133, 330, 134;
359/399, 823, 744; 42/104, 105, 111–113,
42/116, 120, 124–126, 127–129, 141–148,
42/133–140, 1.01–1.05
See application file for complete search history.

D427,275 S * 6/2000 Gilmore D22/109
D427,658 S * 7/2000 Tucker D22/109
D515,603 S * 2/2006 Hines et al. D16/134
7,356,956 B2 * 4/2008 Schinazi et al. 42/1.01
7,626,760 B2 * 12/2009 Wu 359/426
D619,192 S * 7/2010 Riley D22/108
2008/0276517 A1 * 11/2008 Delgado Acarreta 42/1.02
2011/0005114 A1 * 1/2011 Snow 42/49.01
2011/0252682 A1 * 10/2011 Delgado Acarreta 42/1.02
2011/0252683 A1 * 10/2011 Chedid et al. 42/1.03
2011/0252684 A1 * 10/2011 Ufer et al. 42/1.03

* cited by examiner

Primary Examiner — Michael A Pratt
(74) *Attorney, Agent, or Firm* — Blank Rome LLP

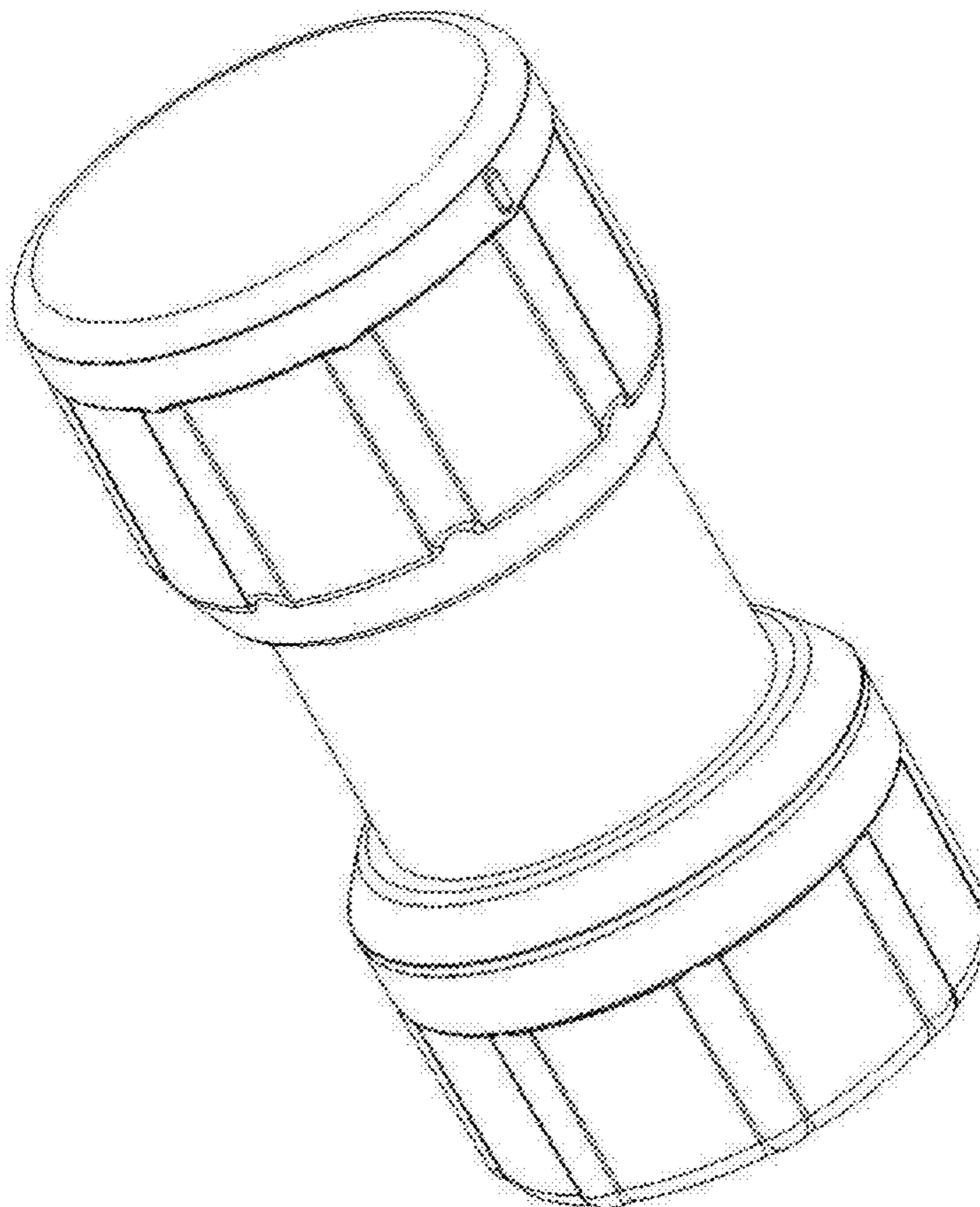
(57) **CLAIM**
The ornamental design for a display unit for firearms, as shown and described.

DESCRIPTION

FIG. 1 is a top-perspective view of an embodiment of a display unit for firearms;
FIG. 2 is a first side view of the display unit for firearms;
FIG. 3 is a second side view, opposite of the first side view, of the display unit for firearms,
FIG. 4 is a top view of the display unit for firearms; and,
FIG. 5 is a bottom view of the display unit for firearms.

1 Claim, 5 Drawing Sheets

(56) **References Cited**
U.S. PATENT DOCUMENTS
390,089 A * 9/1888 McClelland 222/80
1,955,851 A * 4/1934 Heller 206/445
2,751,952 A * 6/1956 Mirus 383/41
3,552,053 A * 1/1971 Jarvis 42/1.03
D271,618 S * 11/1983 Nishigaki D24/138
D362,007 S * 9/1995 Takahashi D16/134
5,566,486 A * 10/1996 Brinkley 42/1.02
D408,987 S * 5/1999 Balash D3/205



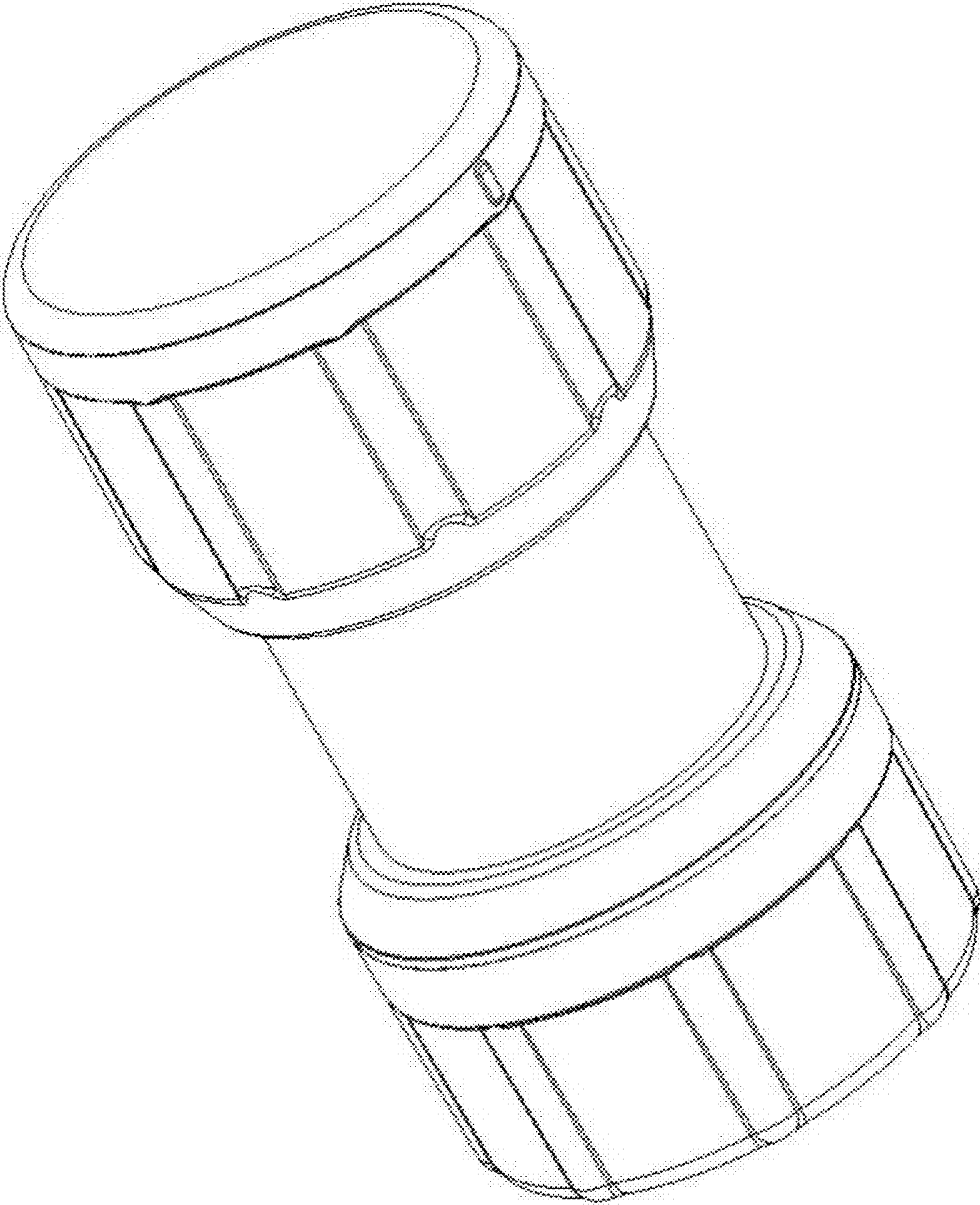


FIG. 1

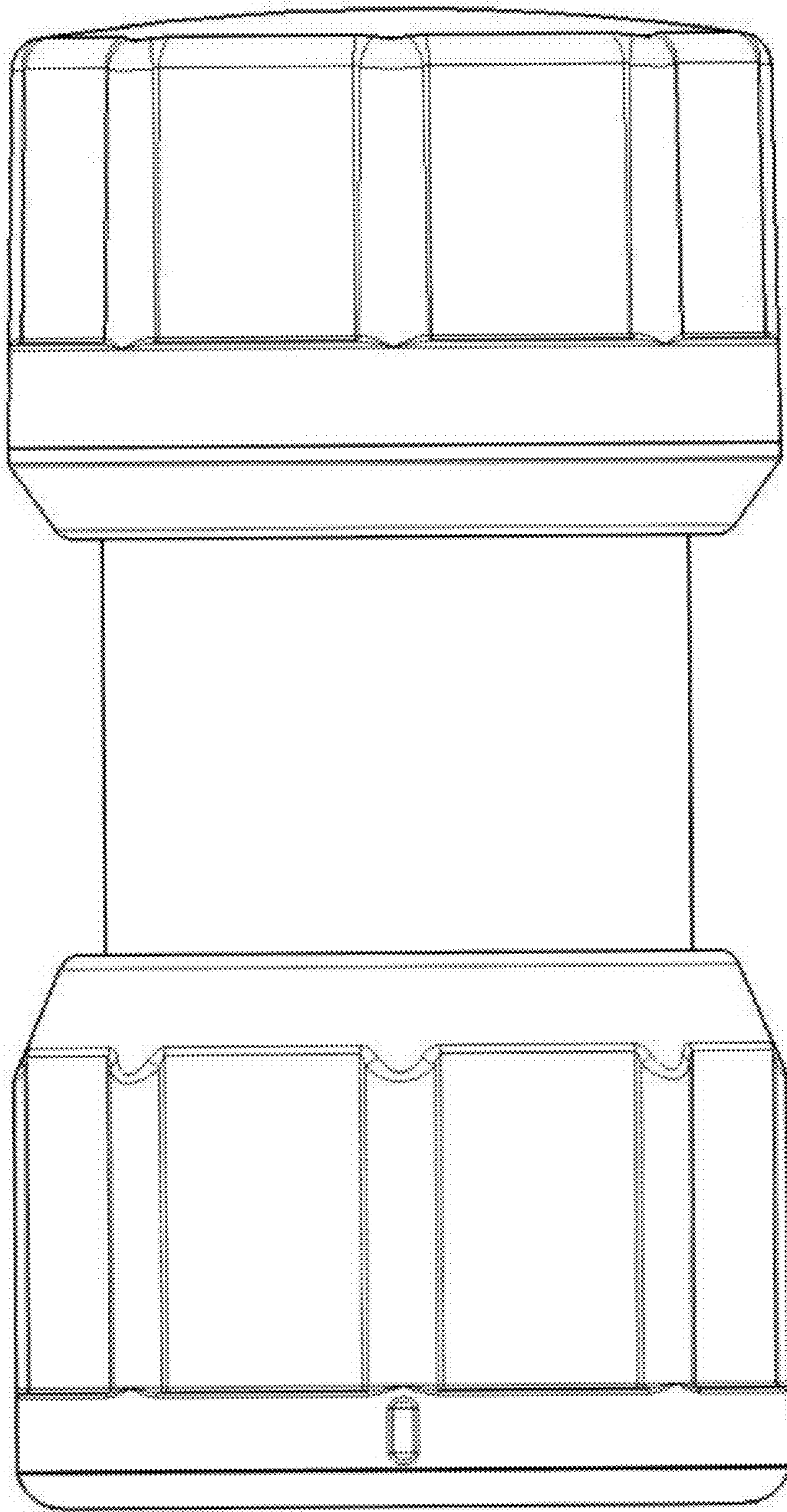


FIG. 2

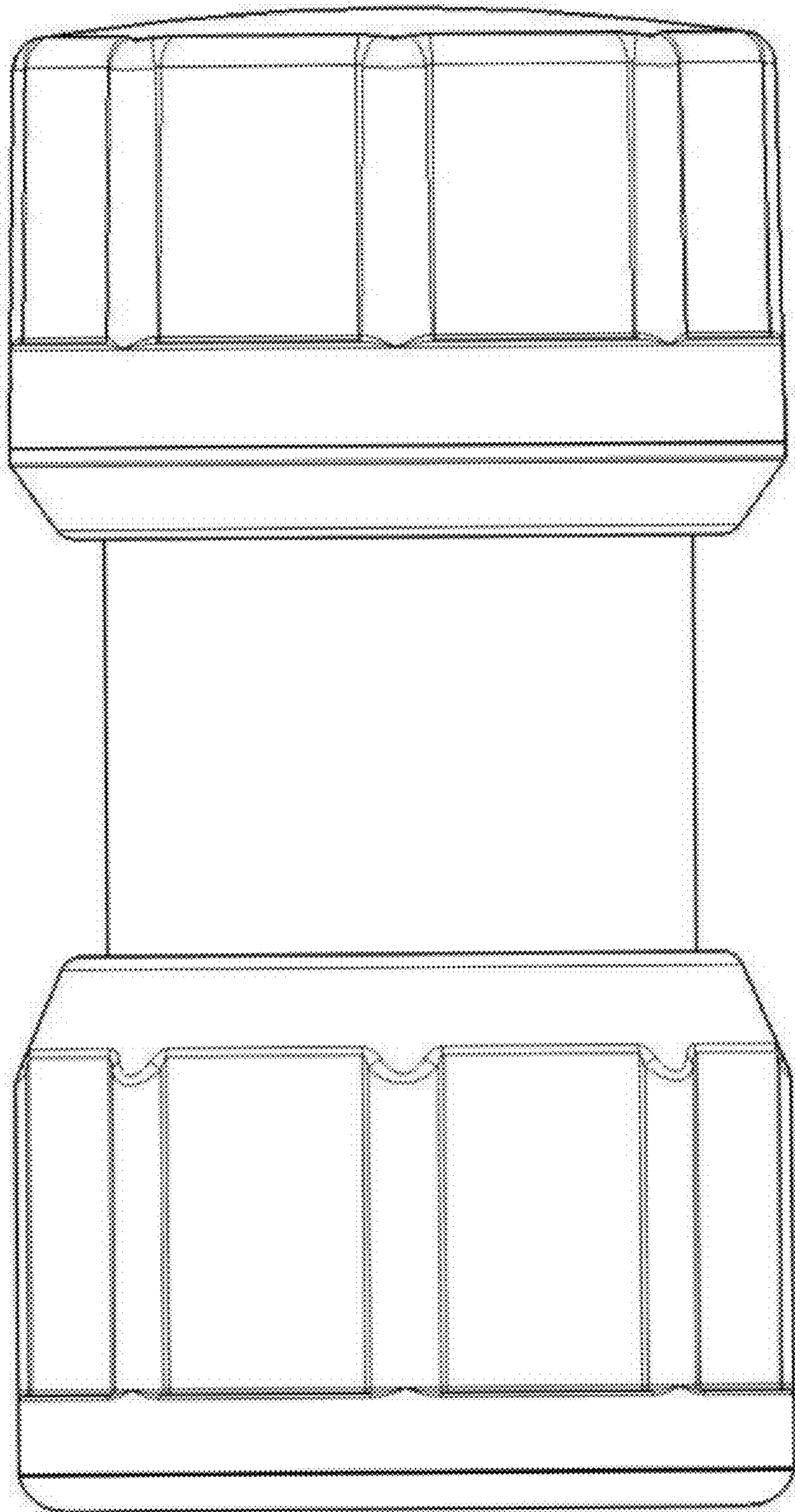


FIG. 3

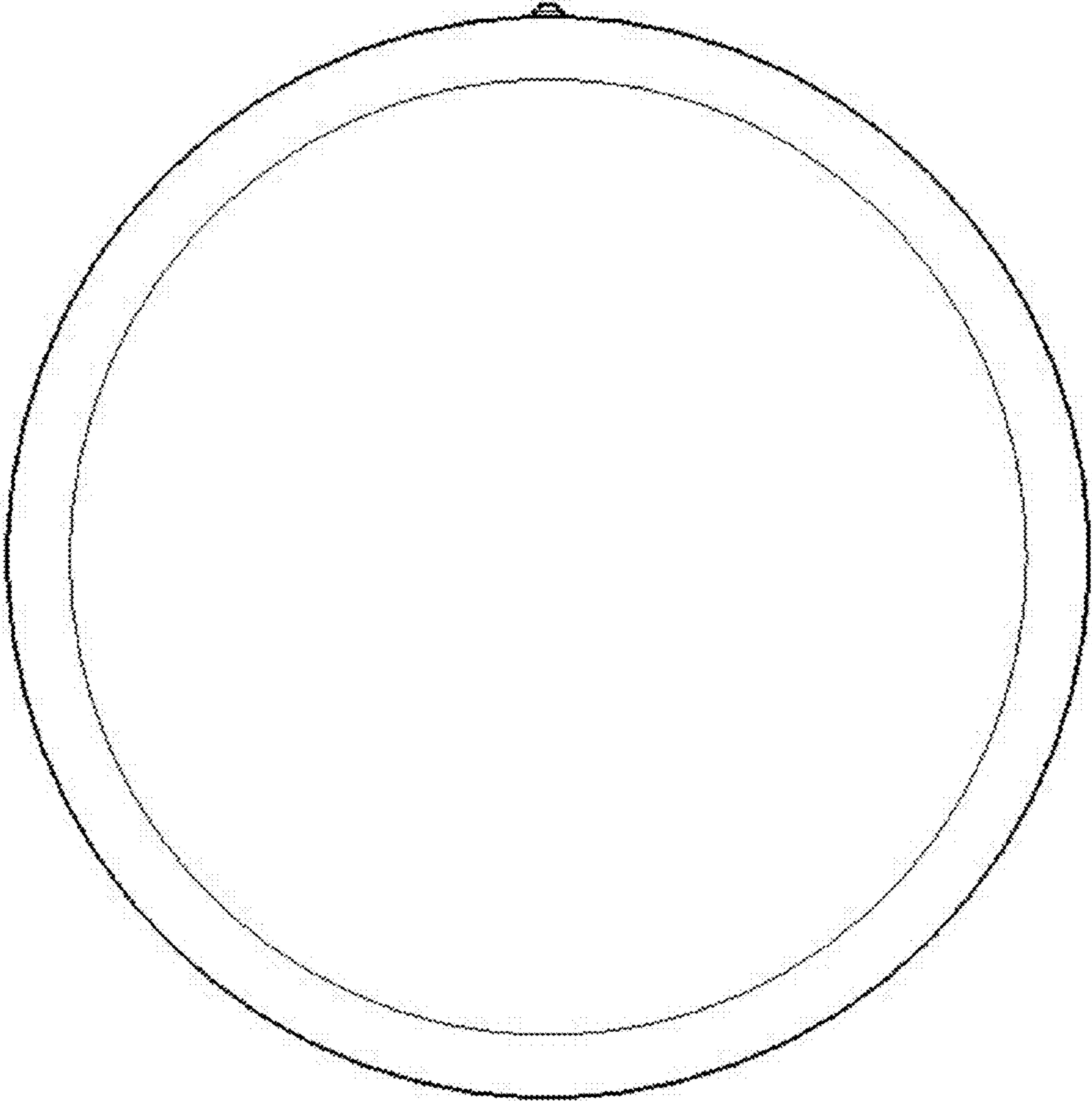


FIG. 4

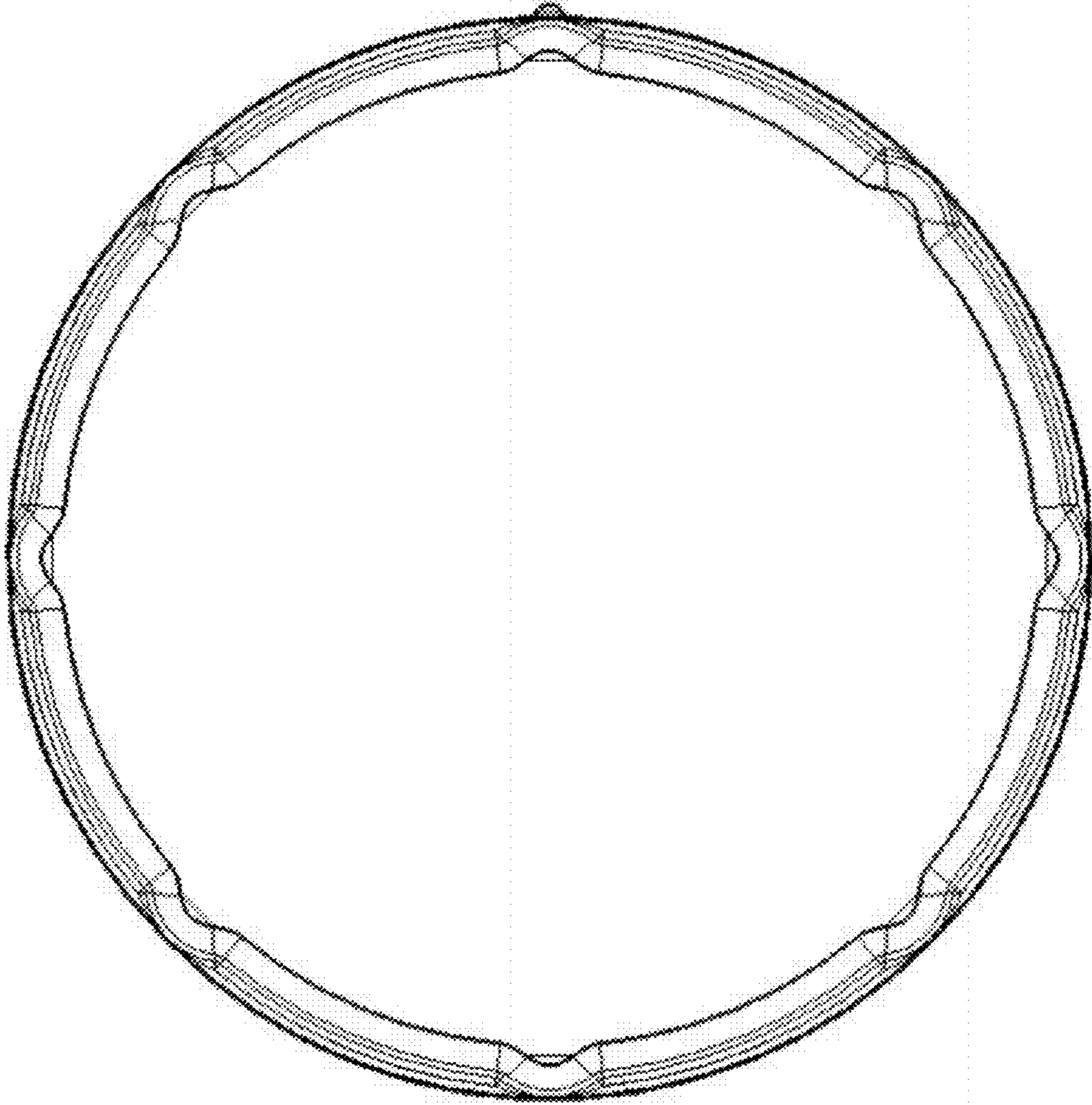


FIG. 5