



US00D676918S

(12) **United States Design Patent**
Jenkins

(10) **Patent No.:** **US D676,918 S**

(45) **Date of Patent:** **** Feb. 26, 2013**

(54) **GOLF TEE MARKING DEVICE**

(76) Inventor: **Bryant Moses Jenkins**, The Woodlands,
TX (US)

(**) Term: **14 Years**

(21) Appl. No.: **29/418,830**

(22) Filed: **Apr. 22, 2012**

(51) **LOC (9) Cl.** **21-02**

(52) **U.S. Cl.** **D21/789**

(58) **Field of Classification Search** D21/789,
D21/717-718, 793-794; 473/386-403, 284
See application file for complete search history.

(56) **References Cited**

U.S. PATENT DOCUMENTS

3,658,331	A *	4/1972	Driscoll	473/386
4,982,510	A *	1/1991	Musillo	473/386
D314,922	S *	2/1991	Musillo	D10/64
D344,779	S *	3/1994	Axne	D21/793
5,735,758	A *	4/1998	Miketinac	473/386
5,885,174	A *	3/1999	Barnes	473/386
D468,385	S *	1/2003	Fleischmann	D21/793
D473,279	S *	4/2003	Fleischmann	D21/793
7,044,866	B1 *	5/2006	Blauvelt	473/386
7,223,184	B2 *	5/2007	Suwito	473/386
7,841,096	B1 *	11/2010	Jenkins	473/386

7,850,550	B2 *	12/2010	Nania et al.	473/386
2005/0261088	A1 *	11/2005	Suwito	473/386
2008/0305892	A1 *	12/2008	Aulepp, Jr.	473/386

* cited by examiner

Primary Examiner — Mitchell Siegel

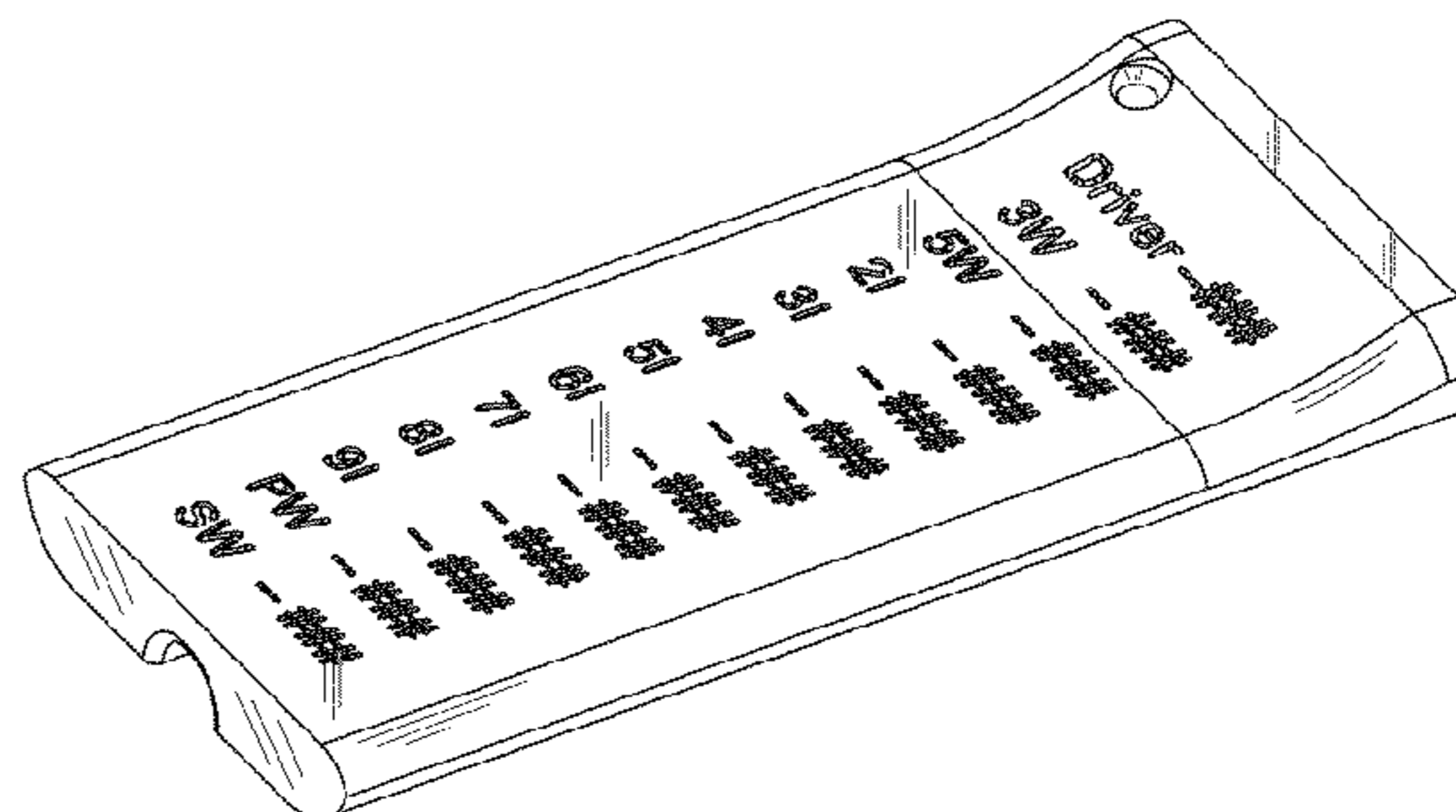
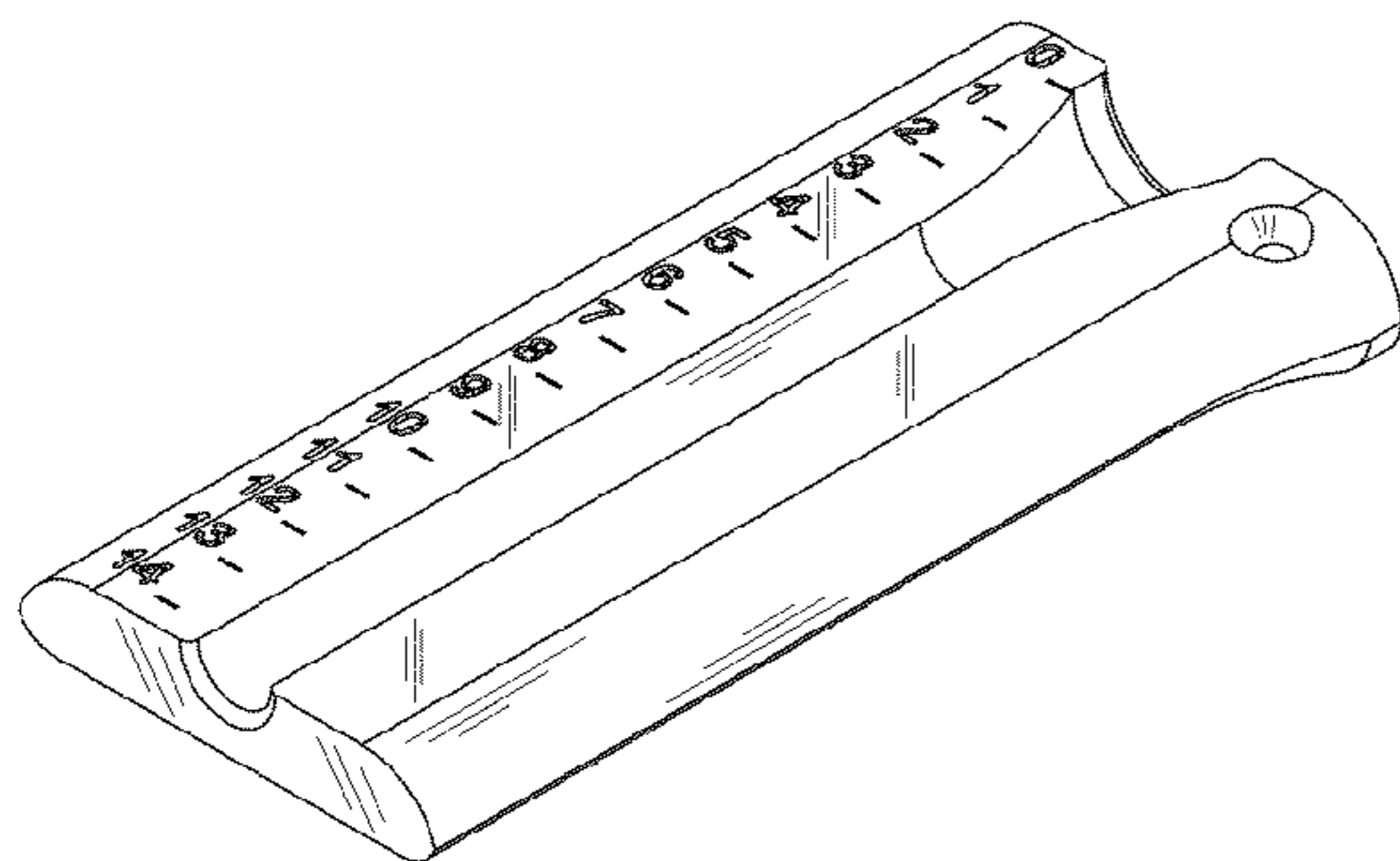
(57) **CLAIM**

The ornamental design for a golf tee marking device, as shown and described.

DESCRIPTION

FIG. 1 is a top view of an embodiment of my design for a golf tee marking device;
 FIG. 2 is an end elevation view of the head end of the golf tee marking device of FIG. 1;
 FIG. 3 is an end elevation view of the tail end of the golf tee marking device of FIG. 1;
 FIG. 4 is a bottom view of the golf tee marking device of FIG. 1;
 FIG. 5 is a right side view of the golf tee marking device of FIG. 4;
 FIG. 6 is a top perspective view of the golf tee marking device of FIG. 1; and,
 FIG. 7 is a bottom perspective view of the golf tee marking device of FIG. 6.

1 Claim, 2 Drawing Sheets



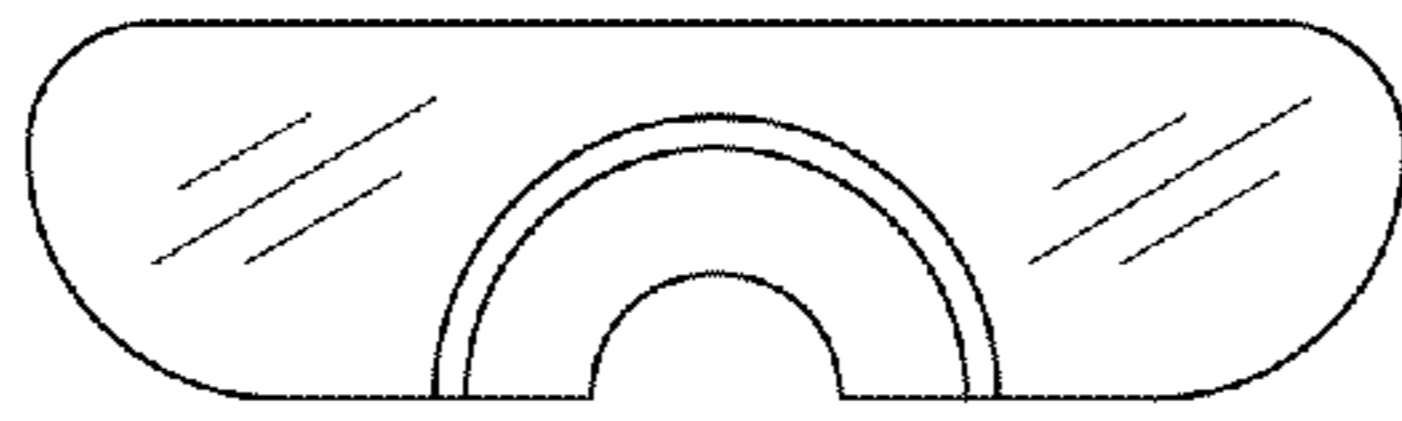


Fig. 2

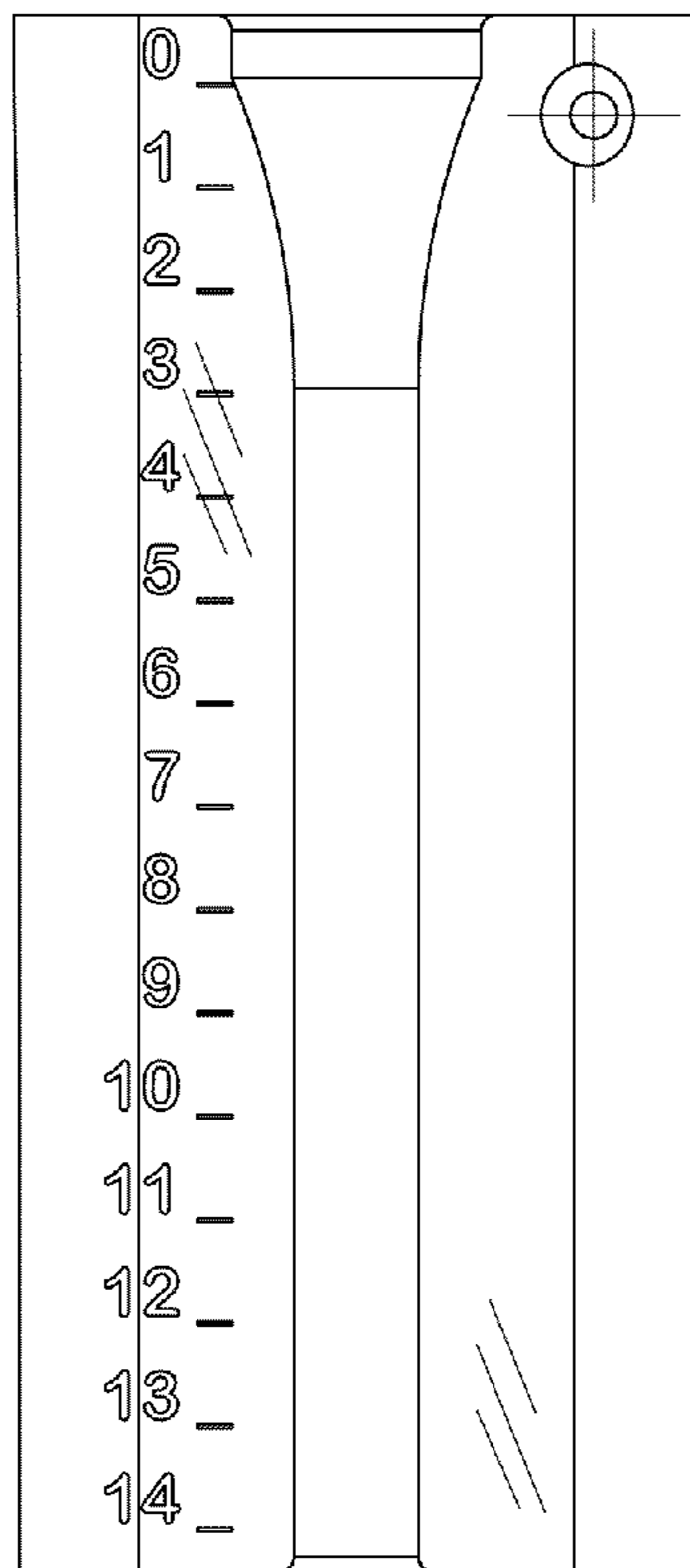


Fig. 1

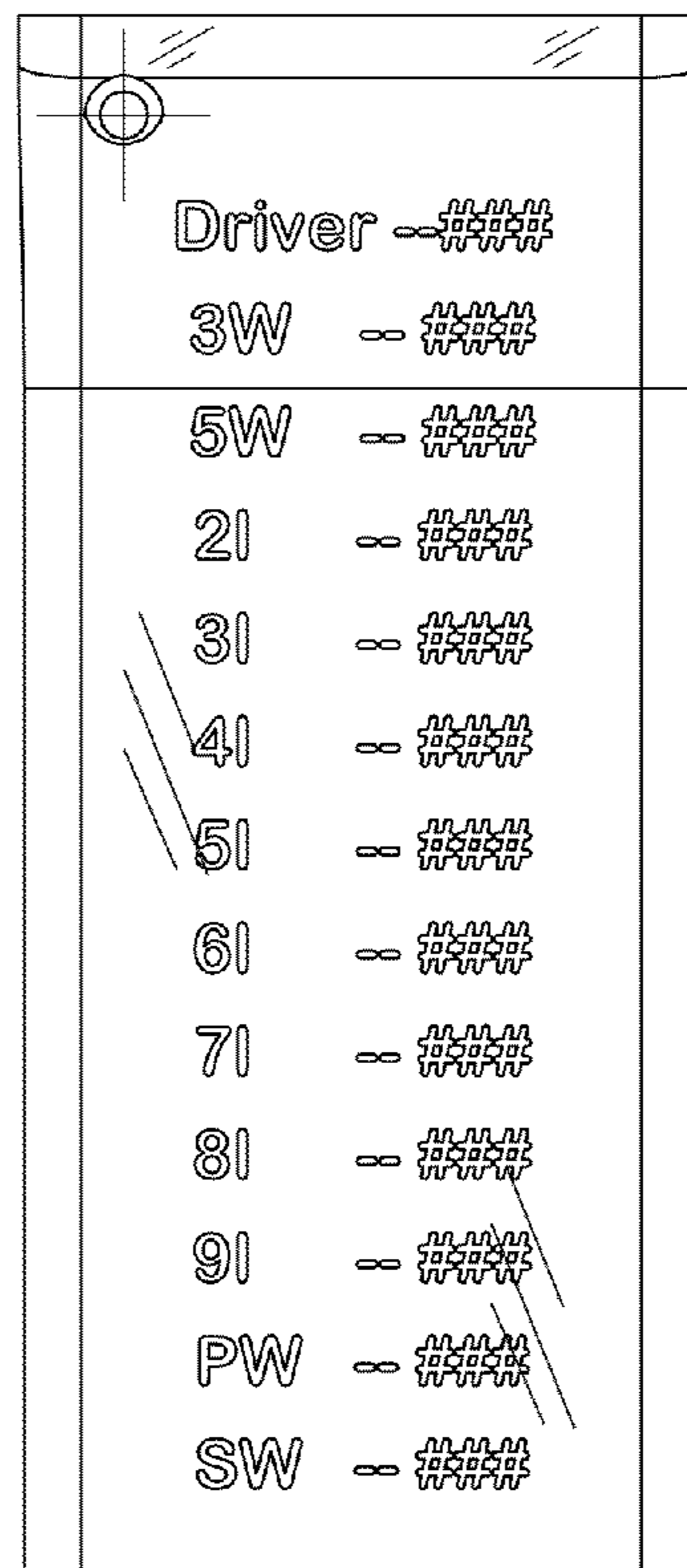


Fig. 4

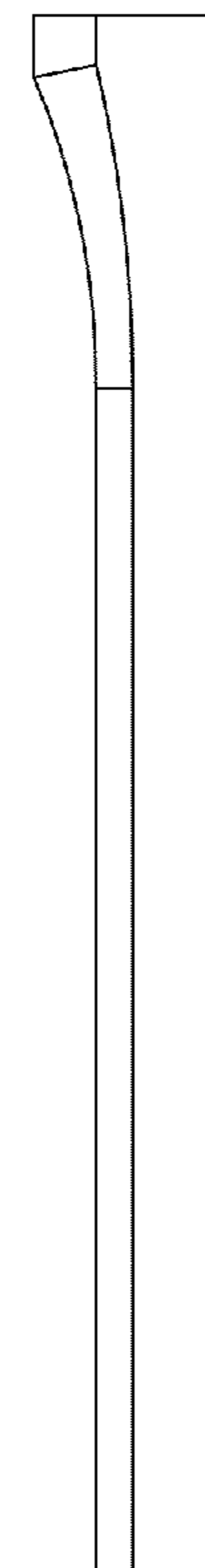


Fig. 5

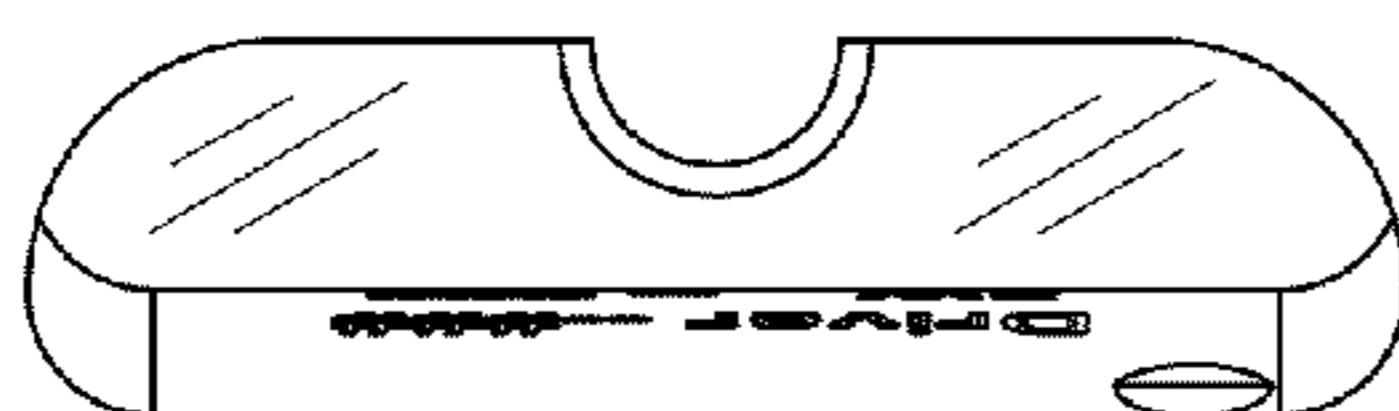


Fig. 3

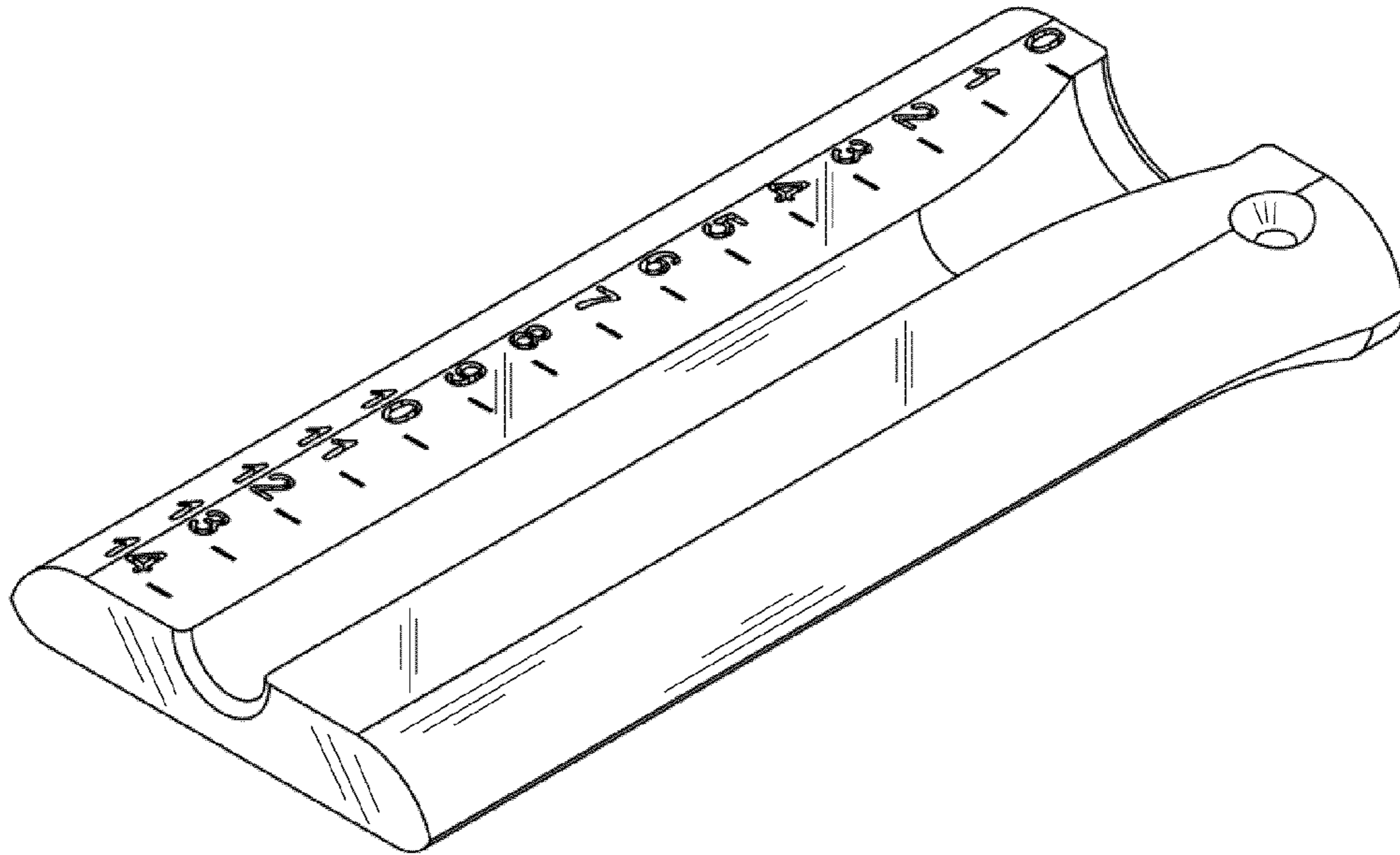


Fig. 6

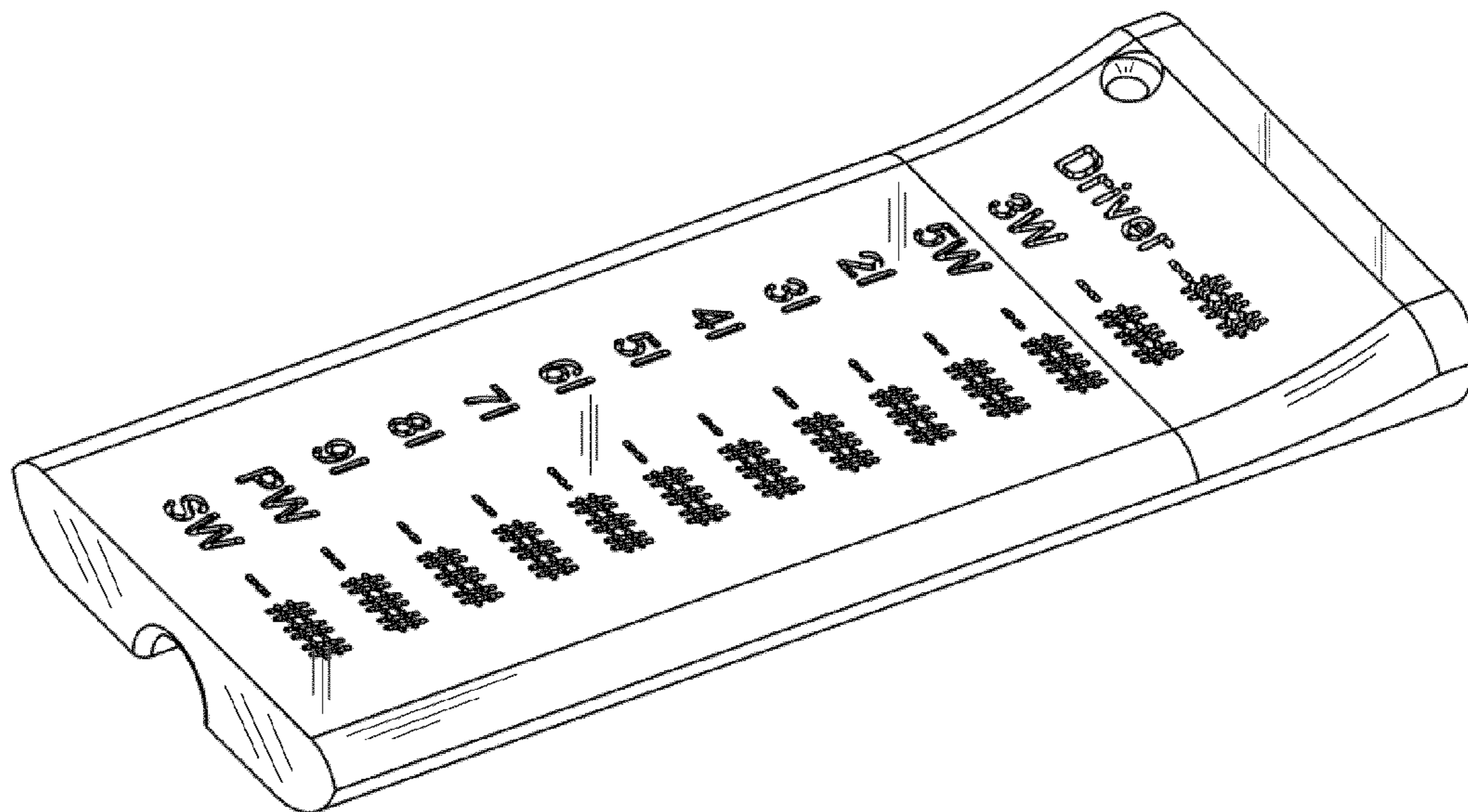


Fig. 7