



US00D676917S

(12) **United States Design Patent**
McCormick et al.

(10) **Patent No.:** **US D676,917 S**
(45) **Date of Patent:** **** Feb. 26, 2013**

- (54) **BILLIARD TABLE**
- (75) Inventors: **William McCormick**, Pleasant Prairie, WI (US); **Theodore Caron**, Kenosha, WI (US); **William D. Moore, Sr.**, Colfax, NC (US)
- (73) Assignee: **Brunswick Corporation**, Lake Forest, IL (US)
- (**) Term: **14 Years**
- (21) Appl. No.: **29/408,536**
- (22) Filed: **Dec. 14, 2011**
- (51) **LOC (9) Cl.** **06-03**
- (52) **U.S. Cl.** **D21/784**
- (58) **Field of Classification Search** D21/782-784; D6/492-597; 473/1, 4, 9, 17, 21, 29, 33
See application file for complete search history.

- 4,940,376 A * 7/1990 McCarthy 414/198
- D319,279 S * 8/1991 Kaye D21/784
- D319,860 S * 9/1991 Ascher D21/784
- D332,293 S 1/1993 Powers
- 5,183,254 A * 2/1993 Jones 473/4
- D348,298 S 6/1994 Fitzhugh
- D348,916 S 7/1994 Powers
- D349,742 S 8/1994 Tyne
- 5,451,187 A 9/1995 Brinkley
- D408,487 S 4/1999 McCormick et al.
- D408,488 S 4/1999 McCormick et al.
- D418,185 S 12/1999 McCormick et al.
- 6,053,818 A * 4/2000 McCormick 473/4
- 6,102,808 A 8/2000 Wong
- 6,149,530 A 11/2000 Shih
- D443,012 S 5/2001 Baker
- D443,325 S 6/2001 Baker
- D446,275 S * 8/2001 Murrey D21/784
- D448,058 S * 9/2001 Baker D21/784
- D473,278 S 4/2003 McCormick et al.
- 6,547,083 B2 4/2003 Zummo
- 6,641,486 B2 11/2003 Shih
- D489,784 S 5/2004 Foley
- D491,245 S 6/2004 Newhouse
- D494,241 S 8/2004 Moore, Sr.
- D494,242 S 8/2004 McCormick
- D495,766 S 9/2004 Moore, Sr.
- D500,543 S 1/2005 Stein

(56) **References Cited**

U.S. PATENT DOCUMENTS

- 5,322 A 10/1871 Griffith
- 145,787 A 12/1873 Collender
- 156,389 A 10/1874 Stiles
- 373,016 A 11/1887 Dougherty
- 572,688 A 12/1896 Seifert
- 1,509,144 A 9/1924 Harmet
- 1,535,926 A 4/1925 Leone
- 1,547,996 A 7/1925 Drost et al.
- 1,568,154 A 1/1926 Hannon et al.
- D85,561 S 11/1931 Toce
- D85,572 S 11/1931 Burnstine
- 2,008,613 A 7/1935 Hernes
- 2,174,613 A 10/1939 Blaschke
- D192,086 S 1/1962 Reineman
- D208,257 S 8/1967 Kotler
- D215,220 S 9/1969 Eide
- 3,881,727 A 5/1975 Olson
- 4,010,949 A 3/1977 Lee
- D257,469 S 10/1980 Moore
- D257,684 S 12/1980 Moore
- 4,474,374 A 10/1984 Lewis et al.
- 4,909,507 A 3/1990 McKown

(Continued)

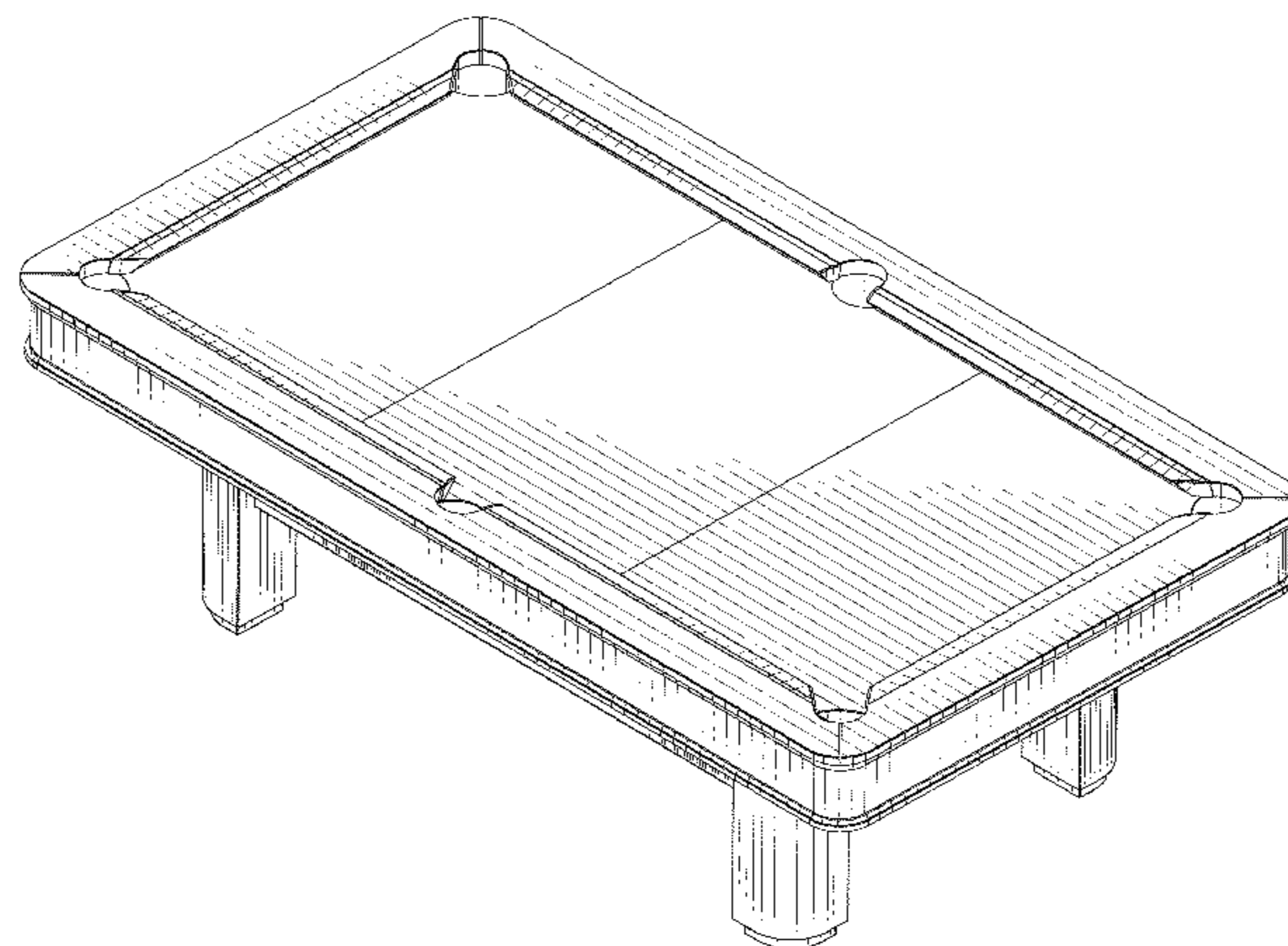
Primary Examiner — Prabhakar Deshmukh
(74) *Attorney, Agent, or Firm* — Eric D. Bublitz

(57) **CLAIM**
The ornamental design for a billiard table, as shown and described.

DESCRIPTION

FIG. 1 is a perspective view of a billiard table showing our new design.
FIG. 2 is another perspective view, showing the lower portion of the new billiard table.
FIG. 3 is a side elevational view thereof;
FIG. 4 is a front elevational view thereof; and,
FIG. 5 is a top plan view thereof.

1 Claim, 5 Drawing Sheets



US D676,917 S

Page 2

U.S. PATENT DOCUMENTS

6,866,590 B2 3/2005 Tucker
6,872,147 B2 3/2005 Shih
D505,173 S 5/2005 Foley
D507,322 S 7/2005 Hobbs et al.
D510,824 S 10/2005 Moore, Sr.

D521,586 S * 5/2006 Moise D21/784
D558,847 S * 1/2008 McCormick D21/784
7,749,090 B2 7/2010 Caron et al.
2004/0224780 A1 11/2004 Nagle
2005/0221902 A1 10/2005 Chen

* cited by examiner

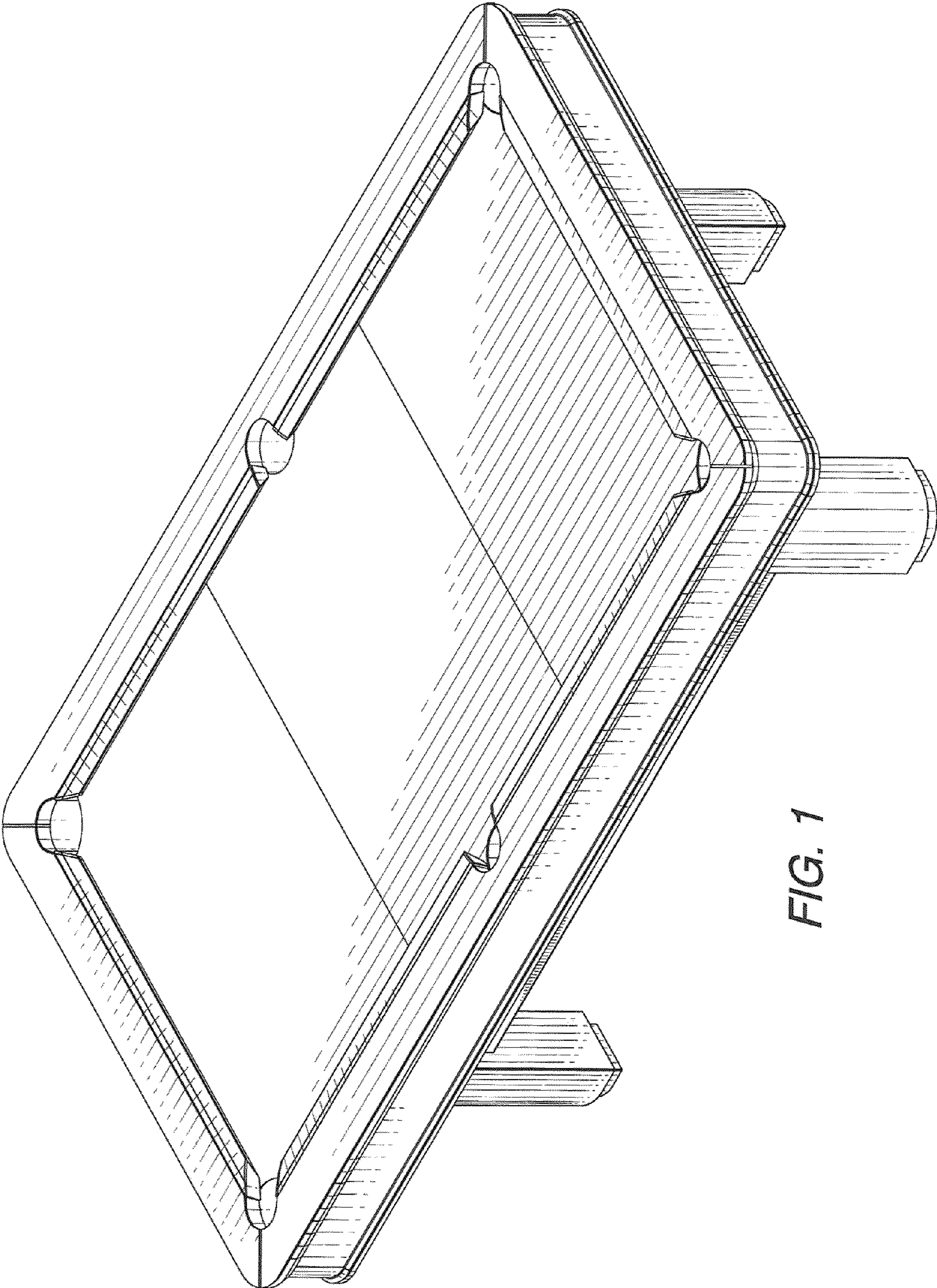


FIG. 1

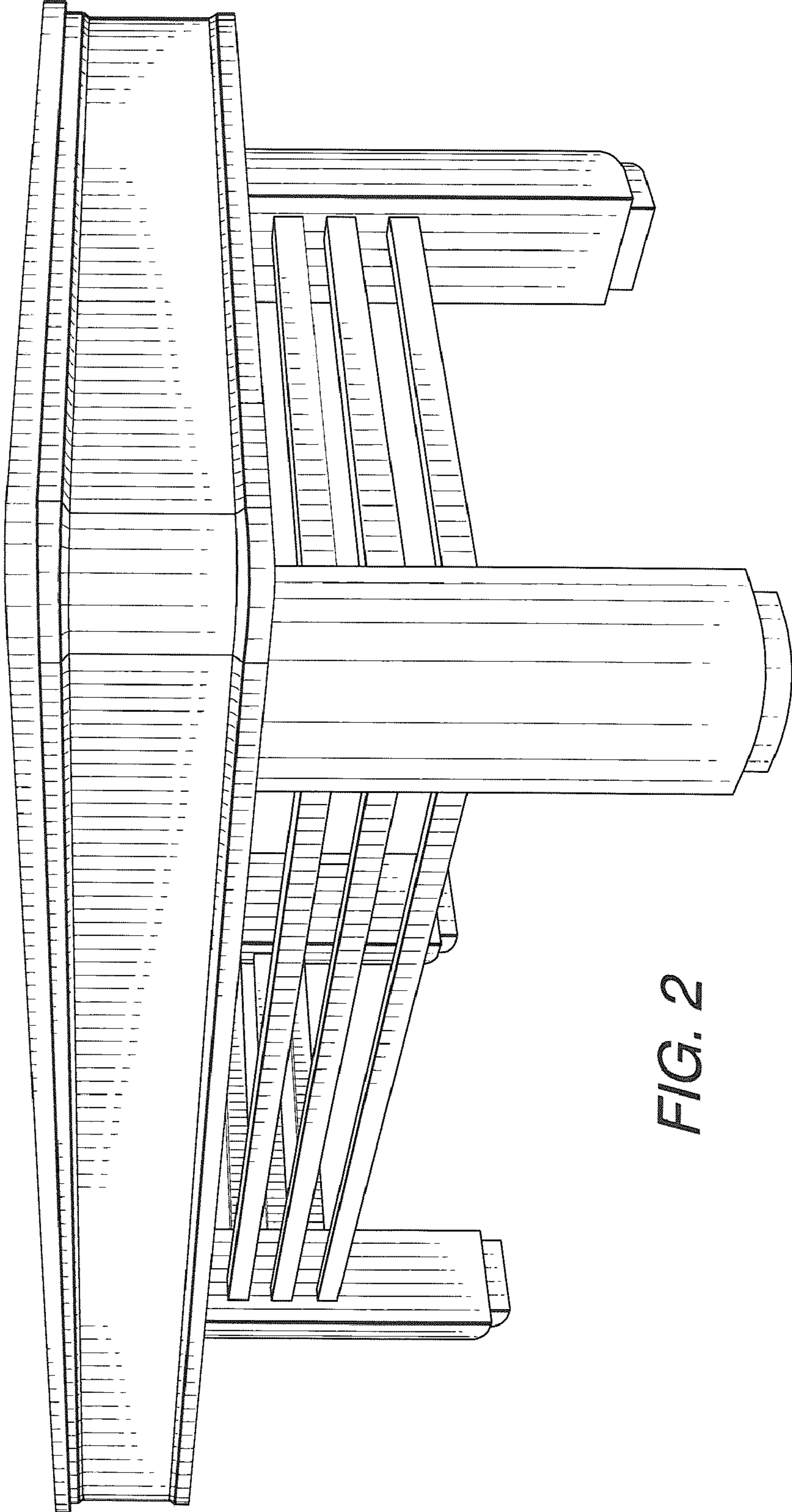


FIG. 2

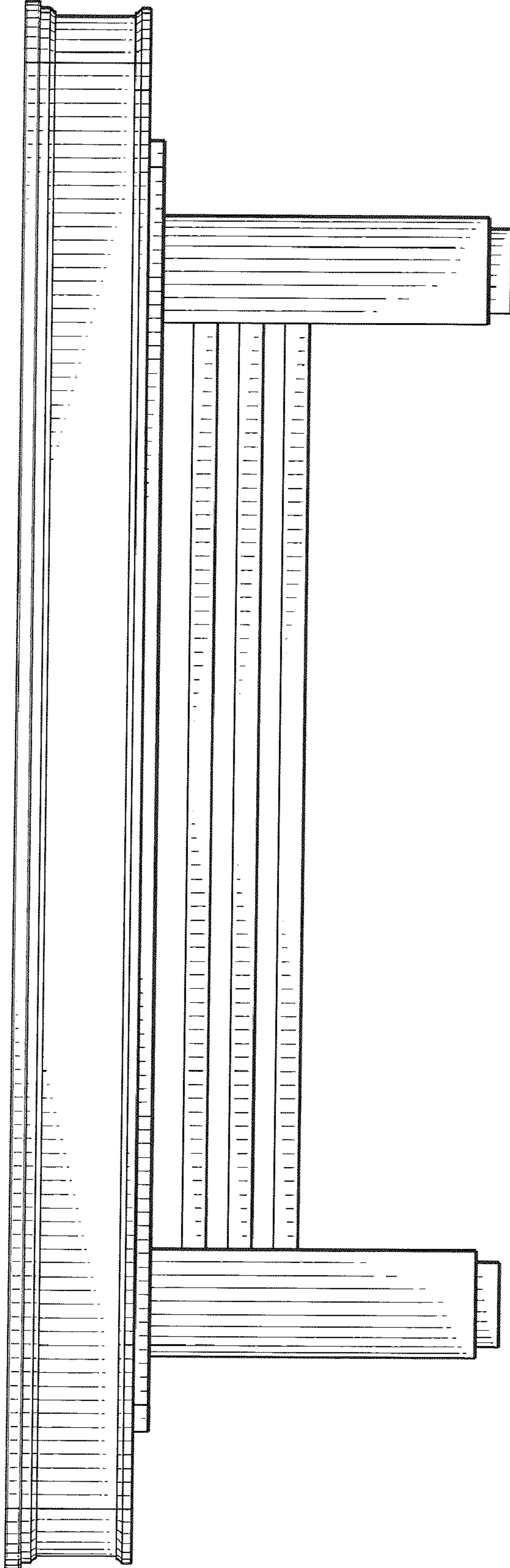


Fig. 3

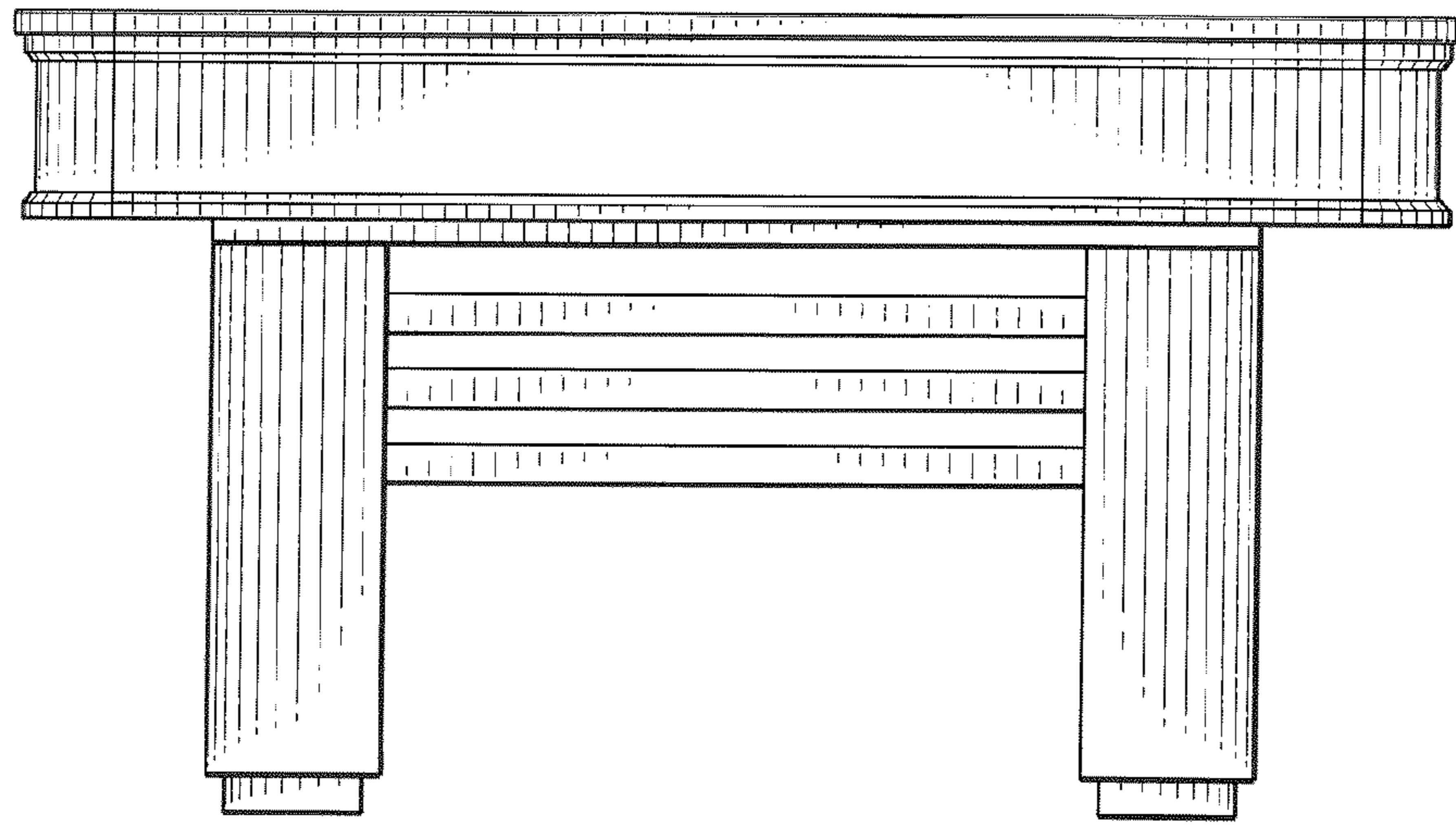


Fig. 4

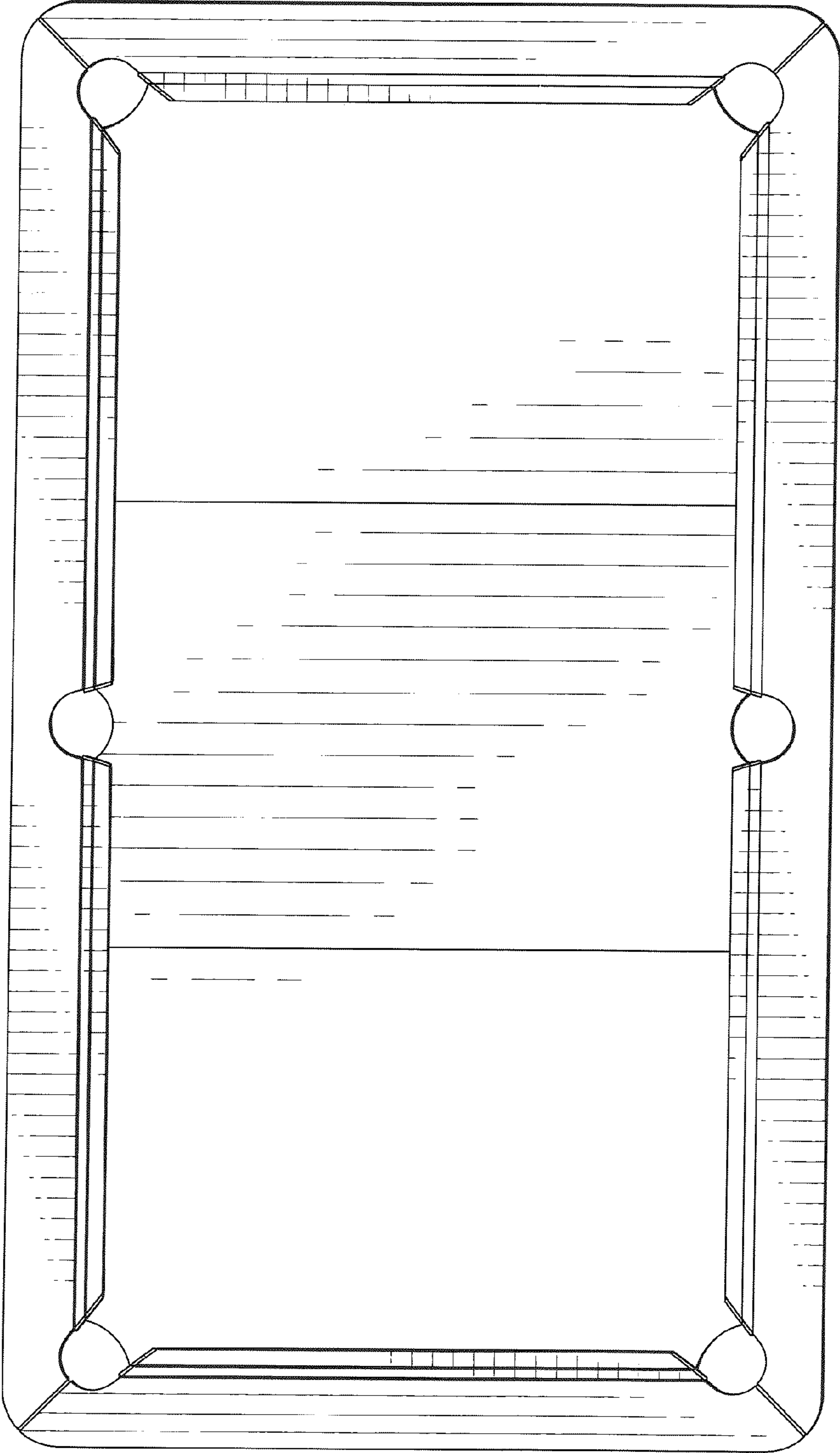


Fig. 5