



US00D676916S

(12) **United States Design Patent**  
**Reeves**

(10) **Patent No.:** **US D676,916 S**

(45) **Date of Patent:** **\*\* Feb. 26, 2013**

- (54) **WHEEL FOR ROLLER SKATES**
- (75) Inventor: **Jymmetta P. Reeves**, Aurora, CO (US)
- (73) Assignee: **Jymmetta Pearl Reeves**, Aurora, CO (US)
- (\*\*) Term: **14 Years**
- (21) Appl. No.: **29/377,850**
- (22) Filed: **Oct. 27, 2010**
- (51) **LOC (9) Cl.** ..... **21-02**
- (52) **U.S. Cl.** ..... **D21/779**
- (58) **Field of Classification Search** ..... D21/563,  
D21/762, 765, 779; D12/204-213; 280/11.215,  
280/11.221-11.26, 809, 816; 152/165; 301/5.7,  
301/5.301-5.309  
See application file for complete search history.

6,632,121	B2 *	10/2003	Edmisson et al.	.....	446/471
6,679,505	B2 *	1/2004	Yang	.....	280/11.19
D489,110	S *	4/2004	Carlson	.....	D21/779
D515,164	S *	2/2006	Lin	.....	D21/764
D530,757	S *	10/2006	Jones	.....	D21/563
2003/0209868	A1 *	11/2003	Weitgasser et al.	.....	280/11.27
2004/0046340	A1 *	3/2004	Chen	.....	280/11.203
2004/0108768	A1 *	6/2004	Weiss et al.	.....	301/5.301
2010/0237686	A1 *	9/2010	Wang et al.	.....	301/53.5

\* cited by examiner

*Primary Examiner* — Cynthia M Chin

(74) *Attorney, Agent, or Firm* — Jymmetta Pearl Reeves

(57) **CLAIM**

The ornamental design for a wheel for roller skates, as shown and described.

**DESCRIPTION**

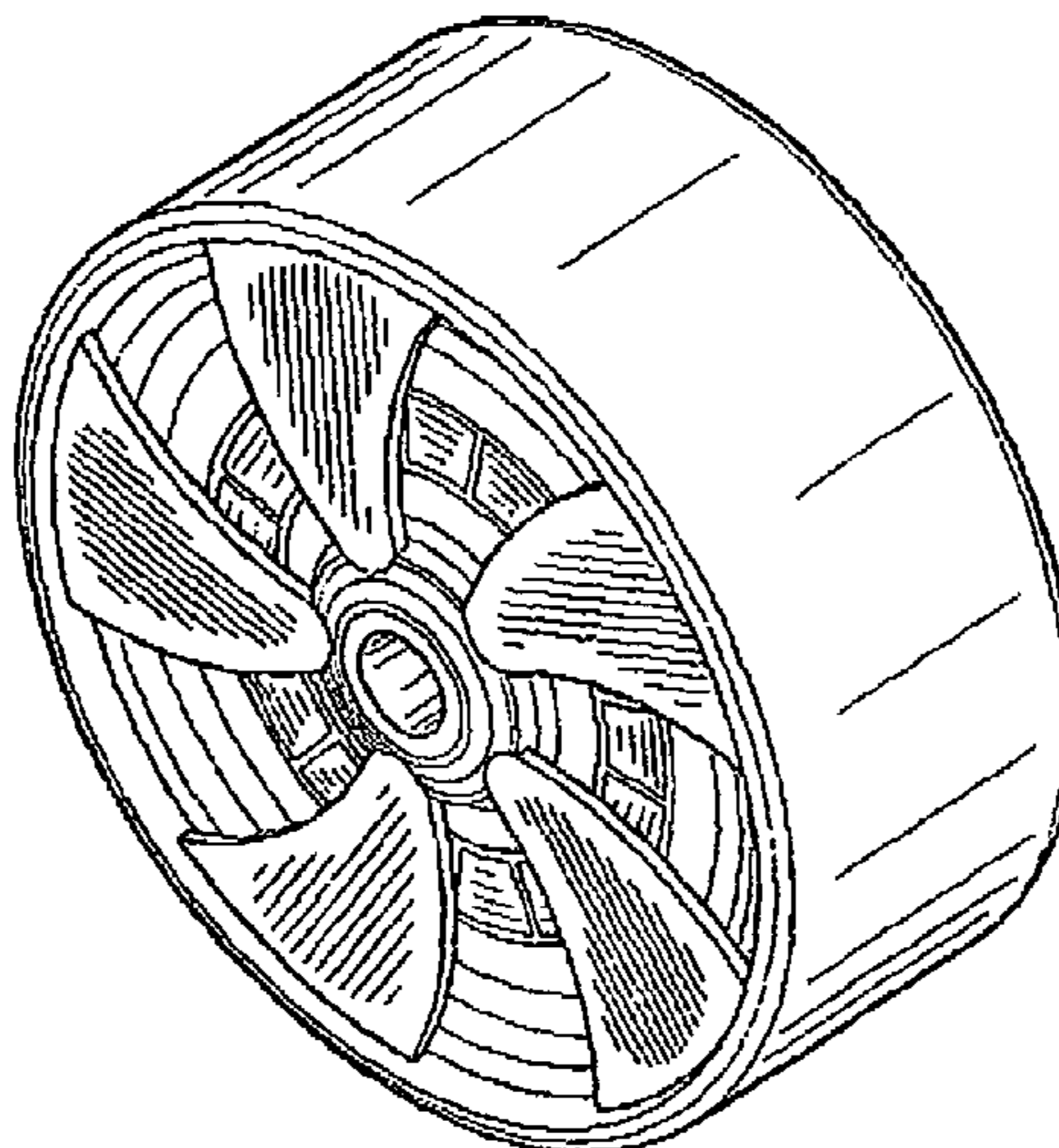
FIG. 1 is a front elevation view of the wheel for roller skates showing my new design;  
 FIG. 2 is a rear elevation view of the wheel for roller skates thereof;  
 FIG. 3 is a left-side elevation view of the wheel for roller skates thereof;  
 FIG. 4 is a top plan view of the wheel for roller skates thereof;  
 FIG. 5 is a perspective view of the wheel for roller skates thereof; and,  
 FIG. 6 is an environmental front elevation view of the wheel for roller skates thereof.  
 The broken lines represent portions of the article that form no part of the claim.

**1 Claim, 3 Drawing Sheets**

(56) **References Cited**

U.S. PATENT DOCUMENTS

2,606,791	A *	8/1952	Specht	.....	301/5.7
2,697,010	A *	12/1954	Hirschmugl	.....	301/5.304
3,638,356	A *	2/1972	La Branche	.....	446/465
D239,268	S *	3/1976	Harty, Jr.	.....	D12/501
D250,668	S *	12/1978	Hess	.....	D12/204
D251,263	S *	3/1979	Willis	.....	D12/212
D261,406	S *	10/1981	Corbin	.....	D21/779
D266,396	S *	10/1982	Neville	.....	D8/375
D333,168	S *	2/1993	Huang	.....	D21/563
5,897,170	A *	4/1999	Keleny	.....	301/5.307
D418,890	S *	1/2000	Wilson	.....	D21/779
6,592,189	B1 *	7/2003	Back, Sr.	.....	301/5.308



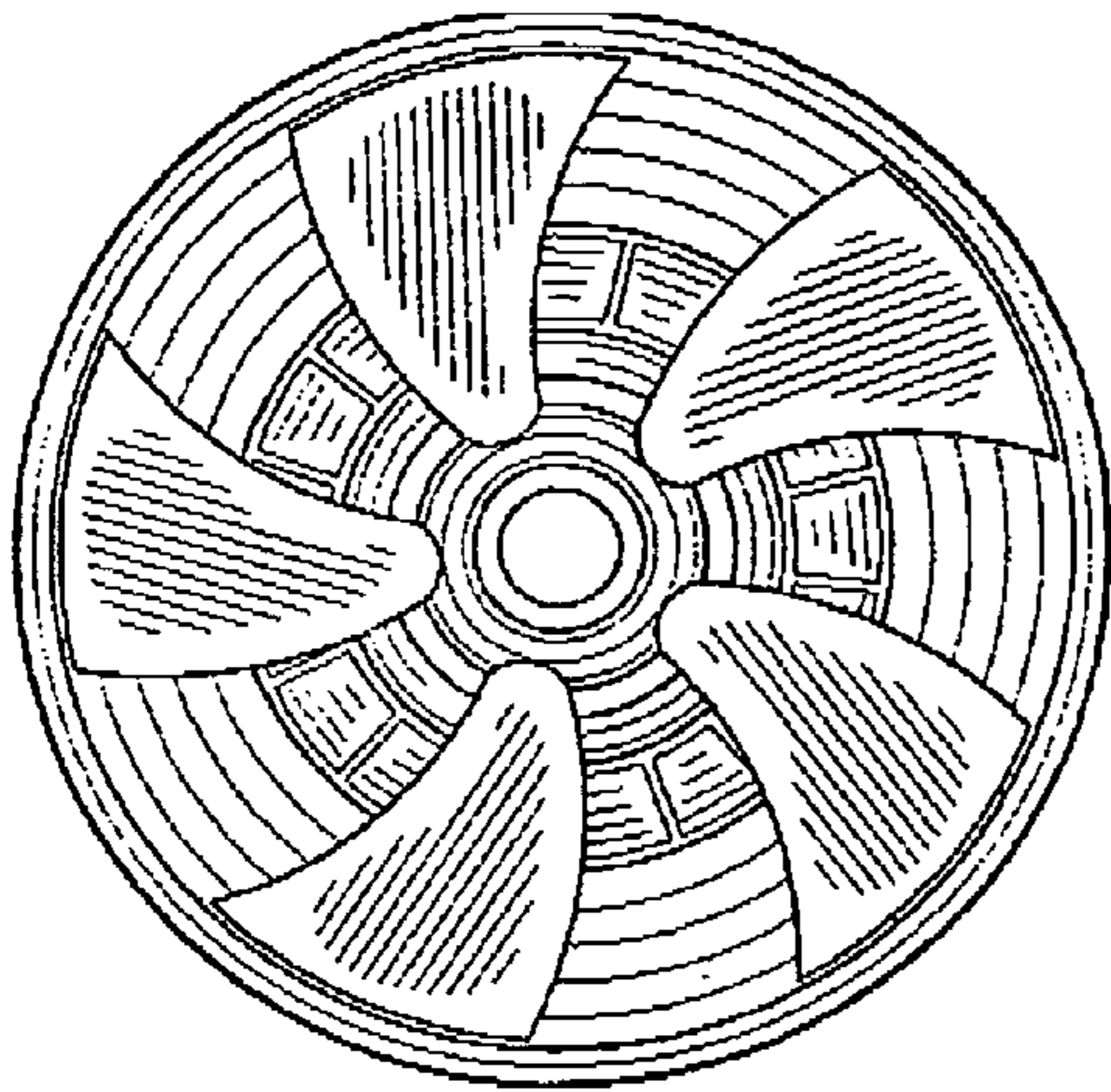


FIG. 1

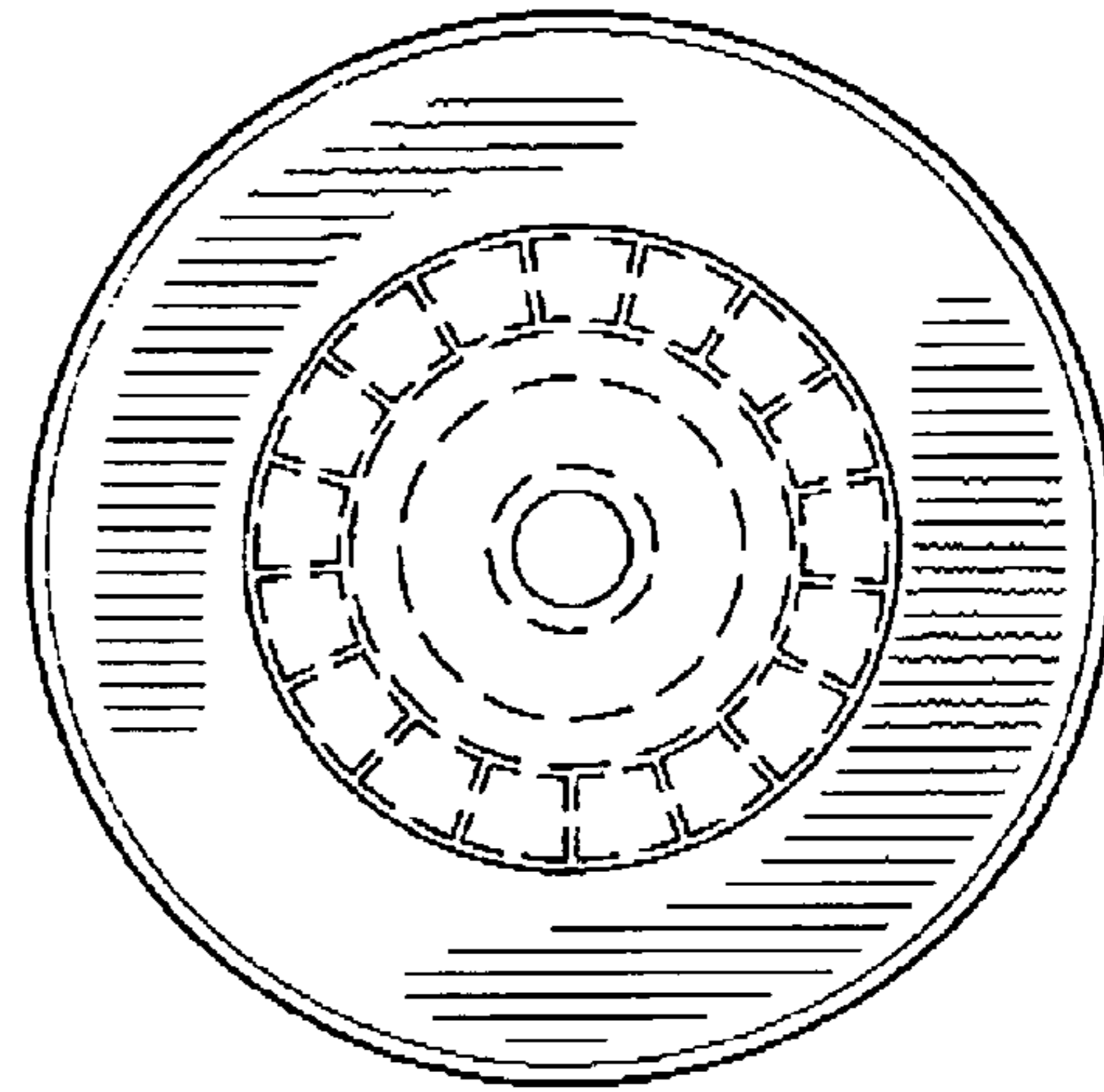


FIG. 2

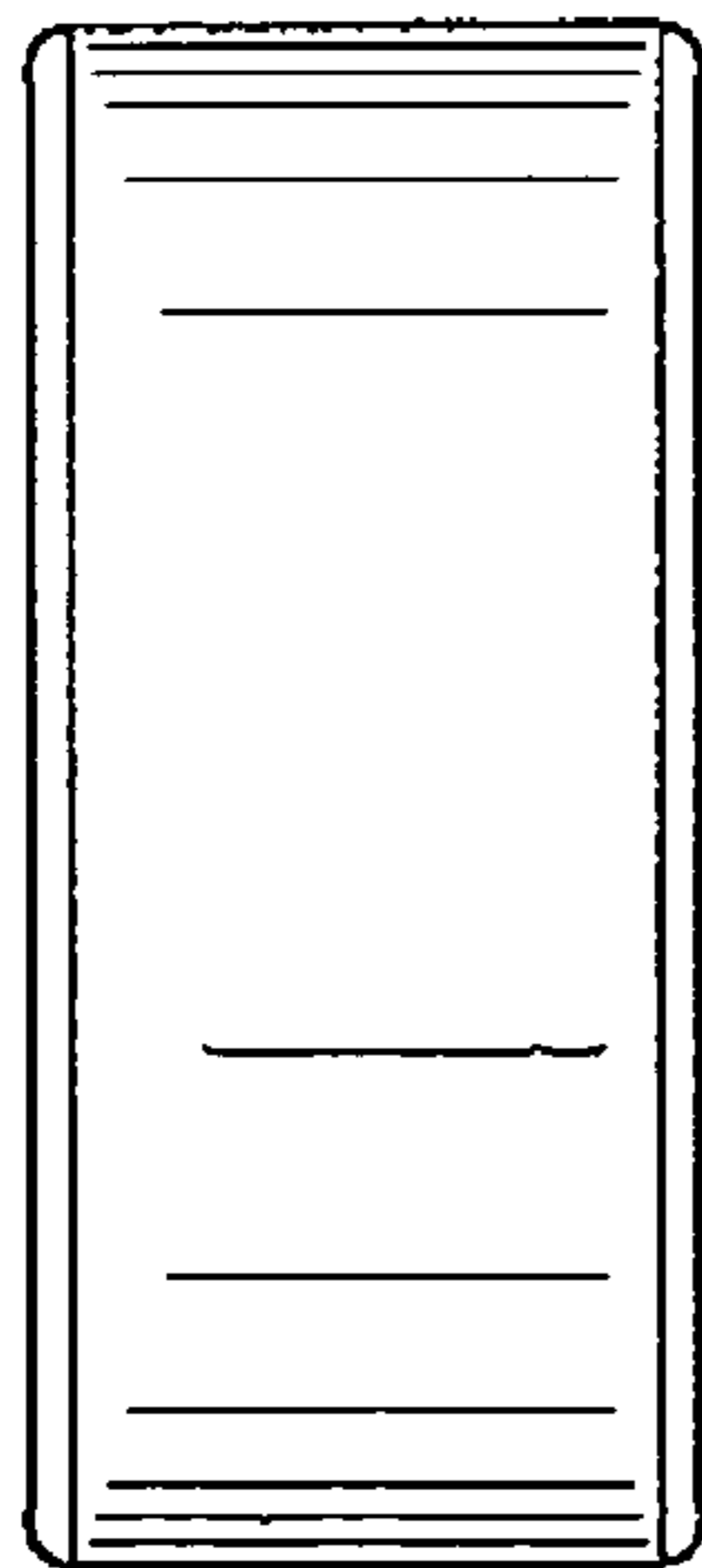


FIG. 3

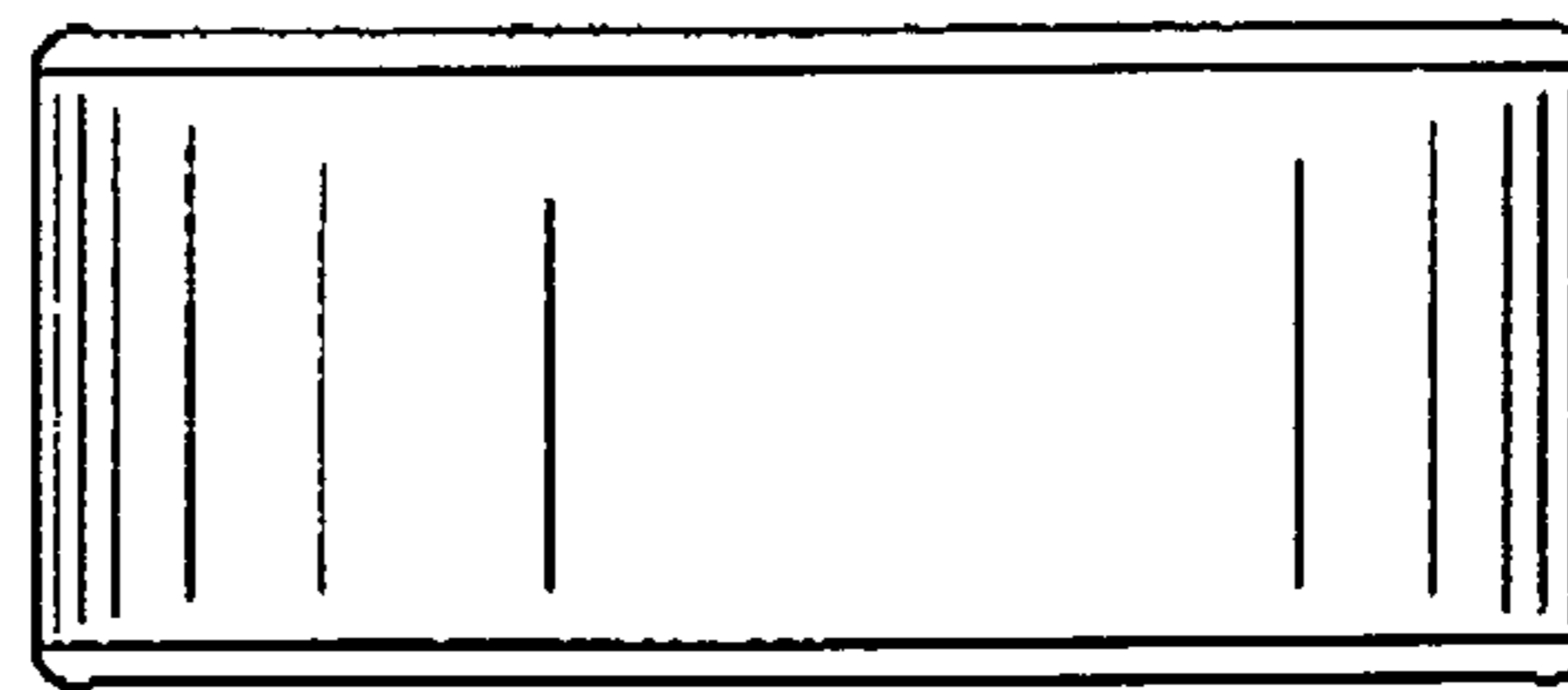


FIG. 4

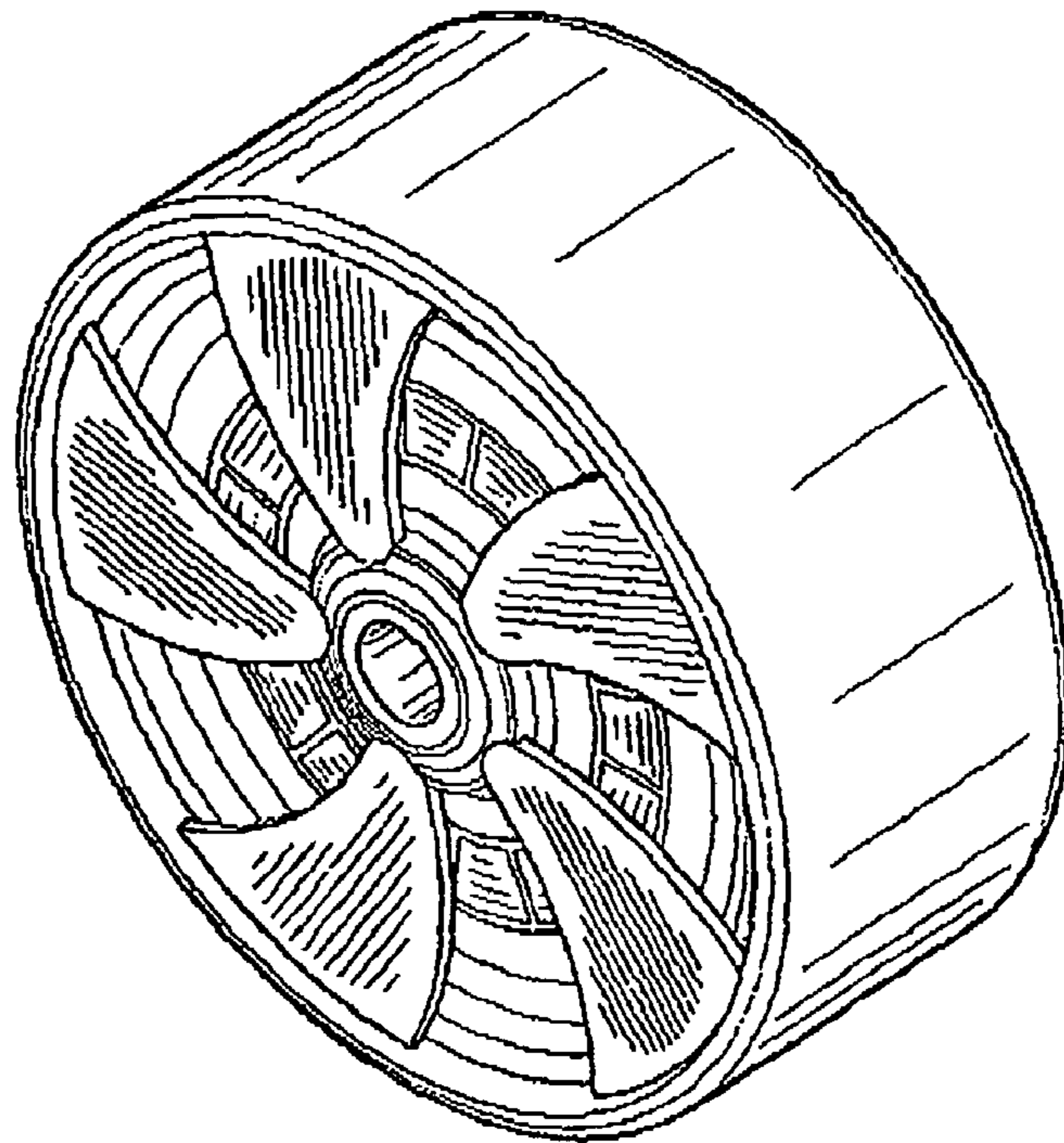


FIG. 5

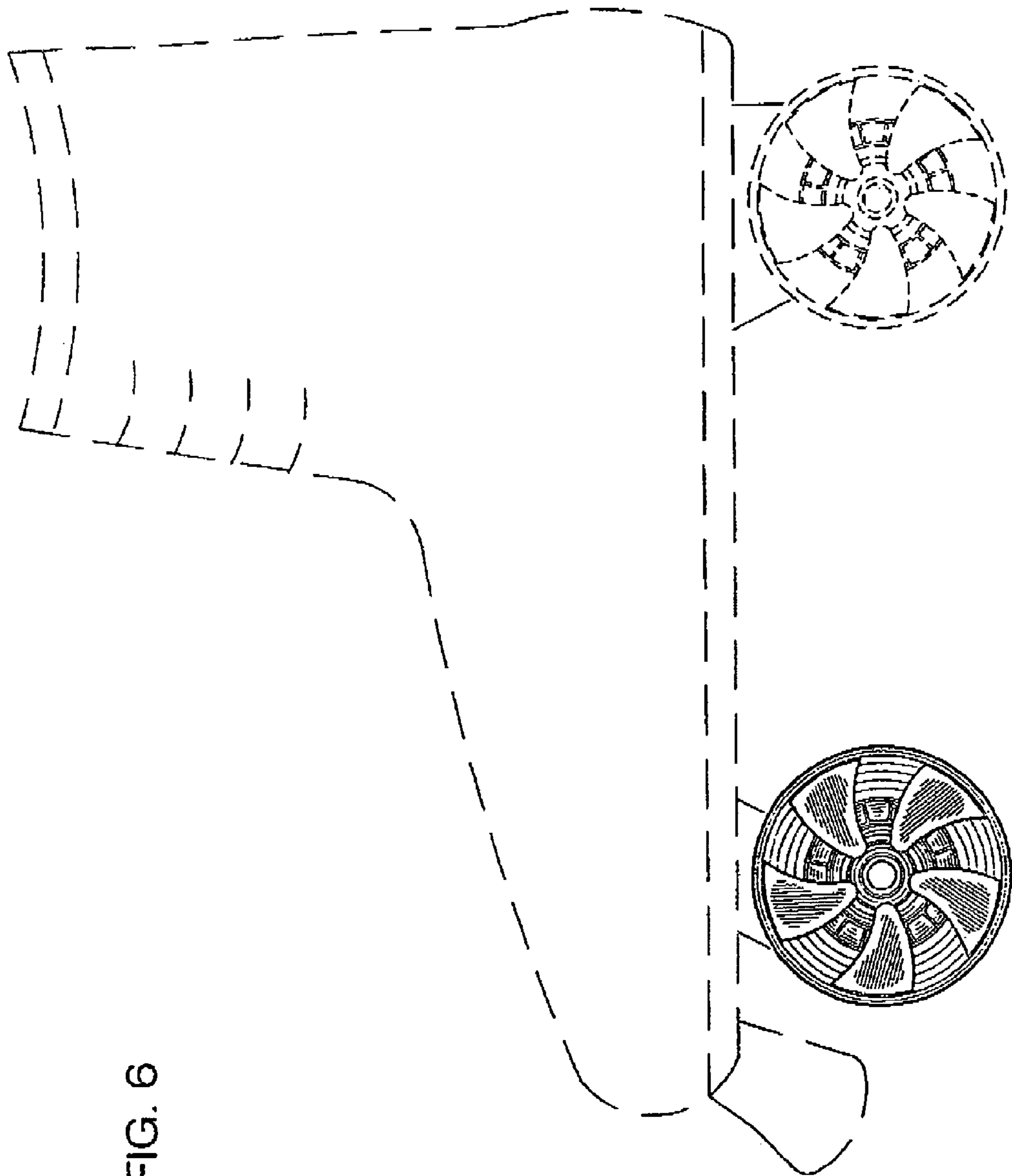


FIG. 6