



US00D676913S

(12) **United States Design Patent**
Oldknow et al.

(10) **Patent No.:** **US D676,913 S**

(45) **Date of Patent:** **** Feb. 26, 2013**

(54) **GOLF CLUB HEAD**

(75) Inventors: **Andrew G. V. Oldknow**, Beaverton, OR (US); **John T. Stites**, Weatherford, TX (US); **Sherry Lynn Jones**, Pataskala, OH (US); **James Huang Lua**, Columbus, OH (US)

(73) Assignee: **NIKE, Inc.**, Beaverton, OR (US)

(**) Term: **14 Years**

(21) Appl. No.: **29/429,906**

(22) Filed: **Aug. 17, 2012**

(51) **LOC (9) Cl.** **21-02**

(52) **U.S. Cl.** **D21/759**

(58) **Field of Classification Search** D21/733,
D21/752, 759; 473/324–331, 343–346

See application file for complete search history.

(56) **References Cited**

U.S. PATENT DOCUMENTS

1,541,126	A *	6/1925	Dunn	473/328
5,078,283	A *	1/1992	Wilson	211/187
D354,103	S *	1/1995	Allen	D21/752
5,464,217	A *	11/1995	Shenoha et al.	473/328
5,547,188	A	8/1996	Dumontier et al.		
D375,535	S *	11/1996	Gorman	D21/752
D375,987	S *	11/1996	Lin	D21/752
D392,007	S *	3/1998	Fox	D21/752
D397,387	S *	8/1998	Allen	D21/733
D465,251	S *	11/2002	Wood et al.	D21/752
D490,870	S	6/2004	Burrows		
D507,030	S *	7/2005	Burrows	D21/752
D524,394	S	7/2006	Madore et al.		
D524,396	S	7/2006	Madore et al.		
D529,111	S	9/2006	Cleveland et al.		
D544,058	S	6/2007	Oldknow		
D544,557	S	6/2007	Oldknow		
D564,607	S	3/2008	Oldknow et al.		
D566,214	S *	4/2008	Evans et al.	D21/752
D569,941	S	5/2008	Evans et al.		
D589,576	S *	3/2009	Kadoya	D21/759

D591,810	S	5/2009	Murphy et al.		
7,591,737	B2	9/2009	Gibbs et al.		
D605,714	S	12/2009	Barez et al.		
D618,751	S	6/2010	Breier et al.		
D621,892	S	8/2010	Kohno		
D622,337	S	8/2010	Kohno		
D627,842	S	11/2010	Gray et al.		
7,837,577	B2	11/2010	Evans		
D630,279	S	1/2011	Kuan		
D637,670	S	5/2011	Foster et al.		
D637,671	S	5/2011	Kim et al.		
D641,818	S	7/2011	Foster et al.		
D643,897	S *	8/2011	Lee et al.	D21/752
8,016,694	B2	9/2011	Llewellyn et al.		
D646,344	S	10/2011	Glod		
D647,583	S	10/2011	Foster et al.		
D652,880	S	1/2012	Foster et al.		
D654,130	S	2/2012	Glod		
D656,210	S	3/2012	Foster et al.		
2010/0190574	A1	7/2010	Foster et al.		
2011/0009210	A1	1/2011	Stites et al.		

OTHER PUBLICATIONS

Edwin Watts Golf Catalog, Holiday 2004; pp. 18 and 35, published Holiday 2004.

(Continued)

Primary Examiner — Mitchell Siegel

(74) *Attorney, Agent, or Firm* — Banner & Witcoff, Ltd.

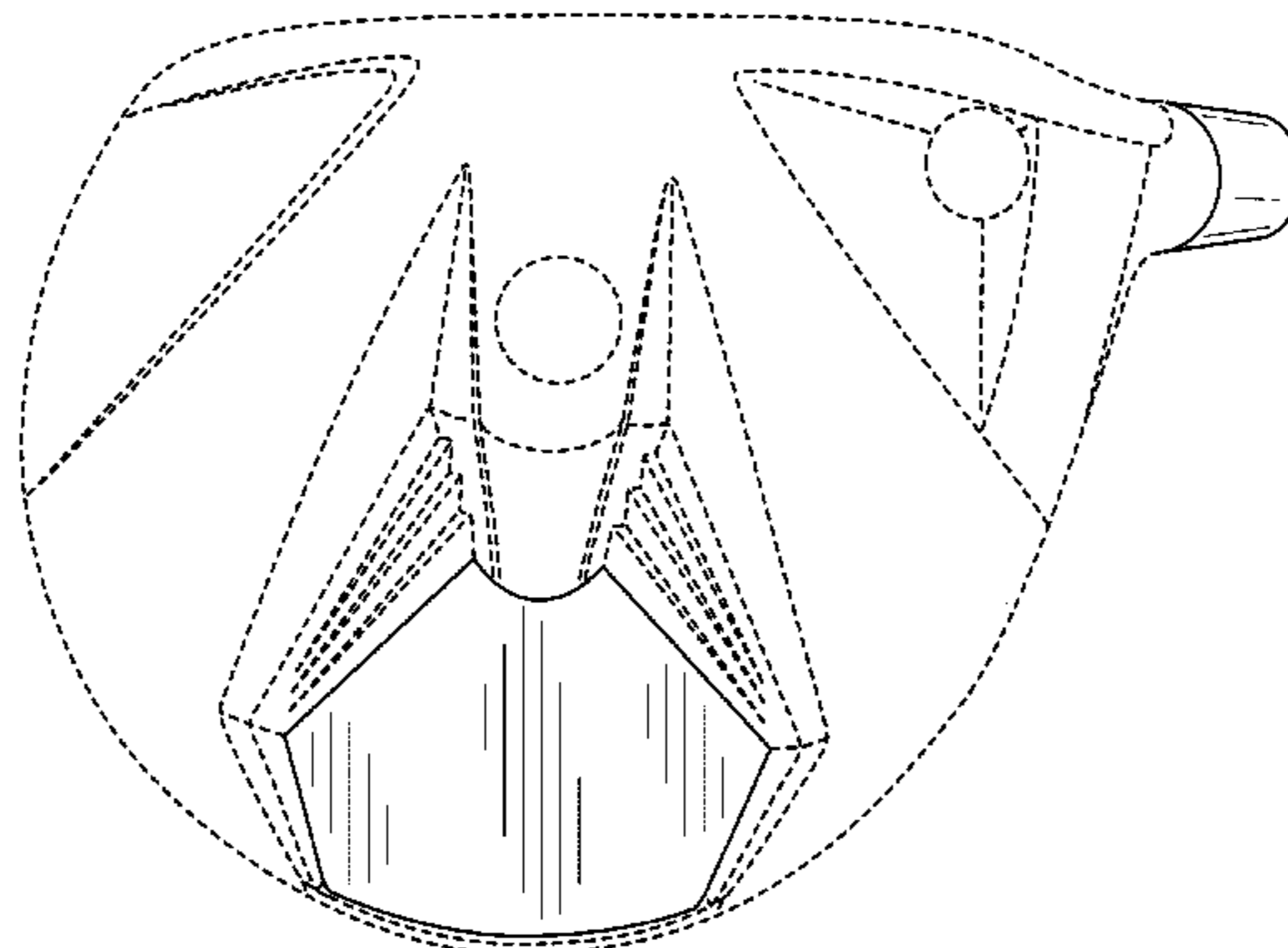
(57) **CLAIM**

The ornamental design for a golf club head, as shown and described.

DESCRIPTION

FIG. 1 is a first perspective view of a golf club head showing my/our new design;
FIG. 2 is a second perspective view thereof; and,
FIG. 3 is a bottom view thereof.
The broken lines showing the remainder of the golf club head are for environmental purposes only and form no part of the claimed design.

1 Claim, 3 Drawing Sheets



OTHER PUBLICATIONS

Golfsmith Golf Catalog, Spring 2010; pp. 4 and 7, published Spring 2010.

Edwin Watts Golf Catalog, Mar. 2011; pp. 2 and 4, published Mar. 2011.

Edwin Watts Golf Catalog, Apr. 2011; pp. 12 and 22, published Apr. 2011.

Bridgestone J40 430 Driver, announcement date unknown, but prior to filing [online], [site visited Aug. 2012]. Available from Internet, <URL: <http://www.edwinwattsgolf.com>>.

Bridgestone J40 Hybrid announcement date unknown, but prior to filing [online], [site visited Aug. 2012]. Available from Internet, <URL: <http://www.edwinwattsgolf.com>>.

TaylorMade R11S Driver, announcement date unknown, but prior to filing [online], [site visited Aug. 2012]. Available from Internet, <URL: <http://www.edwinwattsgolf.com>>.

Titleist 910H Wyvem Hybrid, announcement date unknown, but prior to filing [online], [site visited Aug. 2012]. Available from Internet, <URL: <http://www.edwinwattsgolf.com>>.

TourEdge Backdraft, announcement date unknown, but prior to filing [online], [site visited Aug. 2012]. Available from Internet, <URL: <http://www.edwinwattsgolf.com>>.

TourEdge Exotics XCG5 Hybrid 65G, announcement date unknown, but prior to filing [online], [site visited Aug. 2012]. Available from Internet, <URL: <http://www.edwinwattsgolf.com>>.

* cited by examiner

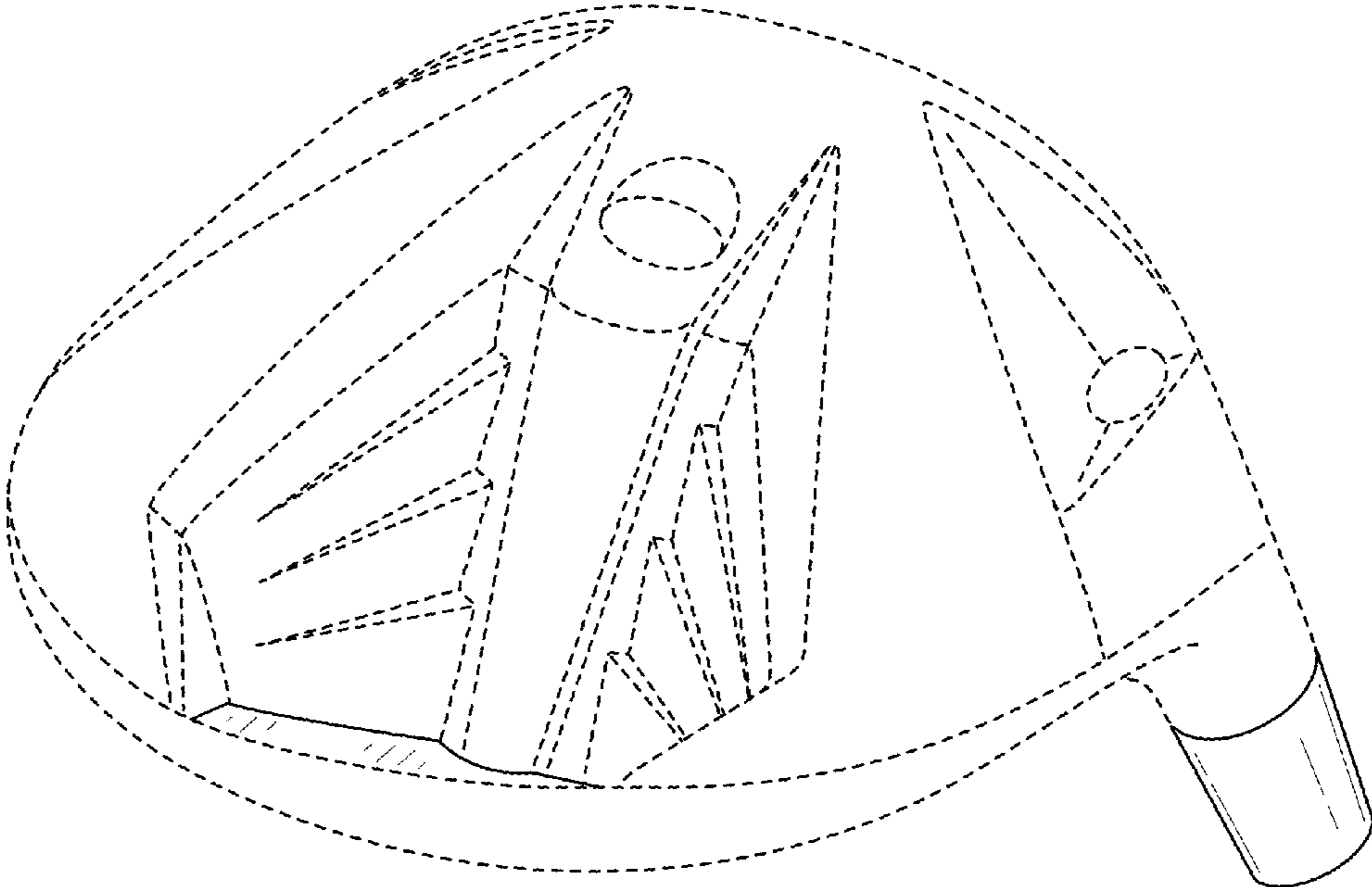


FIG. 1

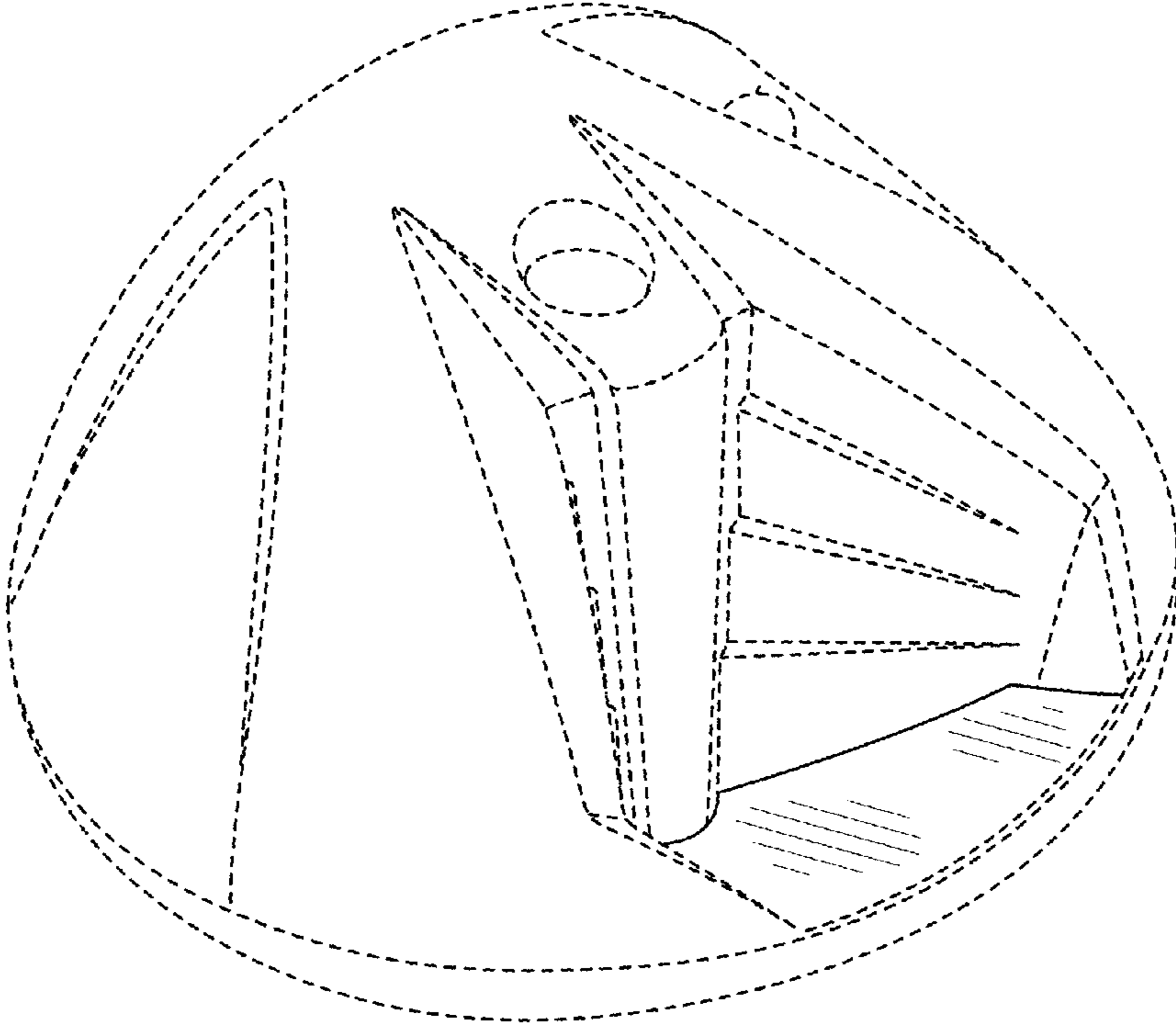


FIG. 2

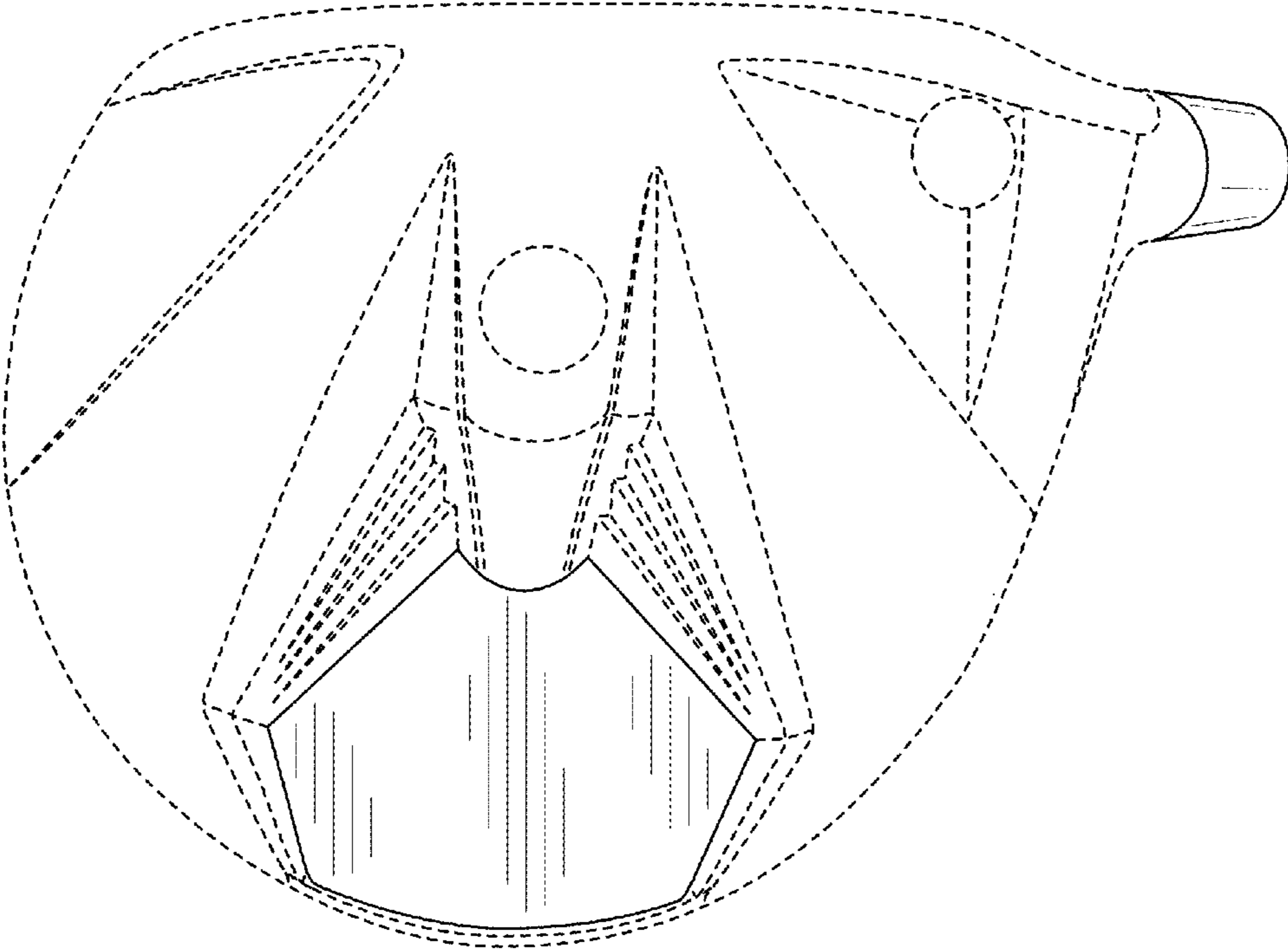


FIG. 3