



US00D676912S

(12) **United States Design Patent**
Lee

(10) **Patent No.:** **US D676,912 S**

(45) **Date of Patent:** **** Feb. 26, 2013**

(54) **GOLF PUTTER SHAFT**

(76) Inventor: **Chong Yul Lee**, Garnet Valley, PA (US)

(**) Term: **14 Years**

(21) Appl. No.: **29/417,852**

(22) Filed: **Apr. 10, 2012**

(51) **LOC (9) Cl.** **21-02**

(52) **U.S. Cl.** **D21/757**

(58) **Field of Classification Search** D21/736-746,
D21/756-758; 473/316-331, 340-341, 251-256
See application file for complete search history.

(56) **References Cited**

U.S. PATENT DOCUMENTS

1,657,473	A *	1/1928	Howard	473/314
D201,250	S *	6/1965	Martinez	D21/741
3,462,155	A *	8/1969	Pelz	473/238
D239,401	S *	3/1976	Kindred	D21/741
D239,725	S *	4/1976	Kindred	D21/757
5,328,185	A *	7/1994	Finnigan et al.	473/294
5,465,971	A *	11/1995	Tischler	473/227
D374,470	S *	10/1996	Steele	D21/745
5,595,385	A *	1/1997	Jablonski	473/295
6,190,266	B1 *	2/2001	Pamias	473/294
D446,565	S *	8/2001	Davis	D21/757
6,533,676	B1 *	3/2003	D'Angelo et al.	473/239

D489,781	S *	5/2004	Lane	D21/743
D639,362	S *	6/2011	Davies	D21/744
D646,737	S *	10/2011	Pimentel	D21/736

* cited by examiner

Primary Examiner — Mitchell Siegel

(74) *Attorney, Agent, or Firm* — Seung Jin Yang, Esq.

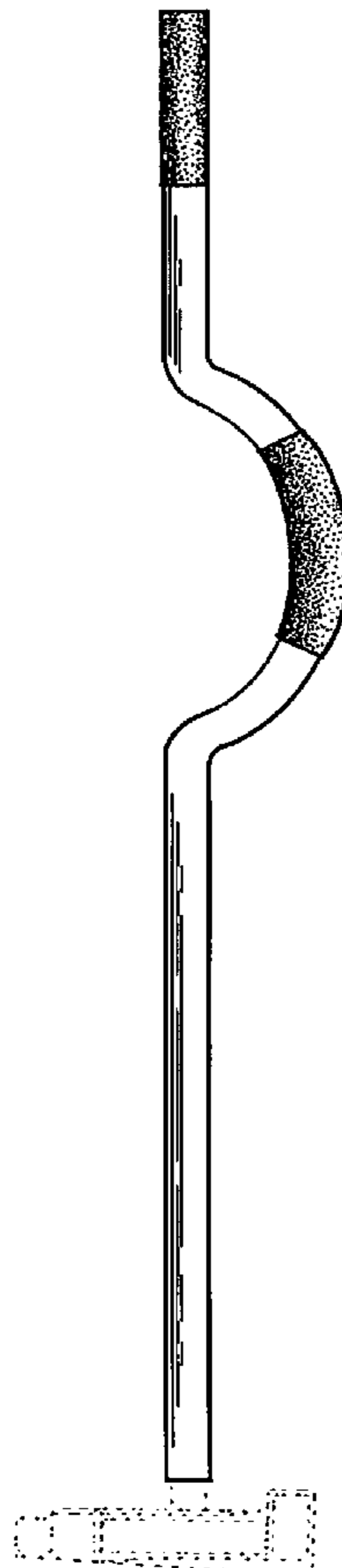
(57) **CLAIM**

The ornamental design for a golf putter shaft, as shown and described.

DESCRIPTION

FIG. 1 is a front elevational view of a golf putter shaft in accordance with the present invention; FIG. 2 is a back elevational view of a golf putter shaft; FIG. 3 is a left side elevational view of a golf putter shaft; FIG. 4 is a right side elevational view of a golf putter shaft; FIG. 5 is a top plan view of a golf putter shaft; FIG. 6 is a bottom plan view of a golf putter shaft; and, FIG. 7 is an exemplary diagram of the use of the golf putter shaft thereof the broken lines being shown for illustrative purposes only and form no part of the claimed design. The broken line showing of the head is for illustrative purposes only and forms no part of the claimed design.

1 Claim, 4 Drawing Sheets



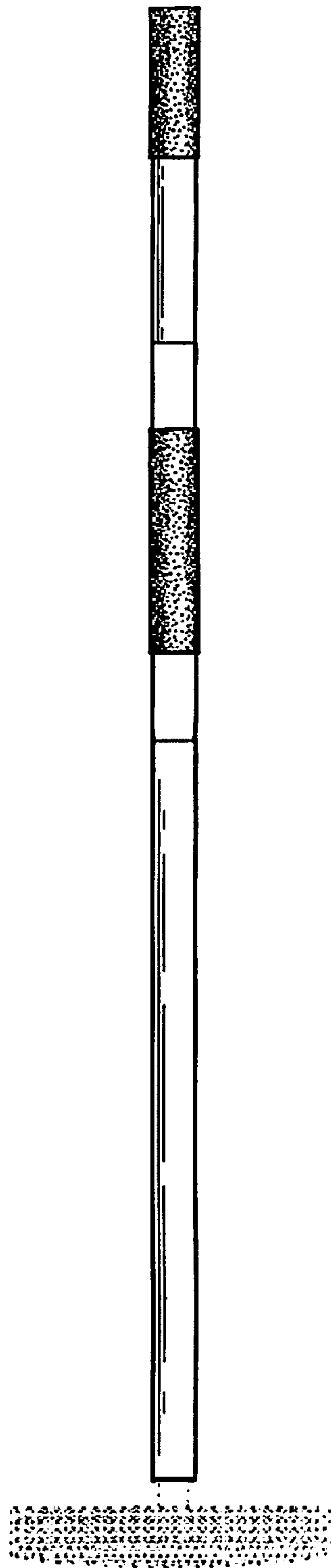


FIG. 1

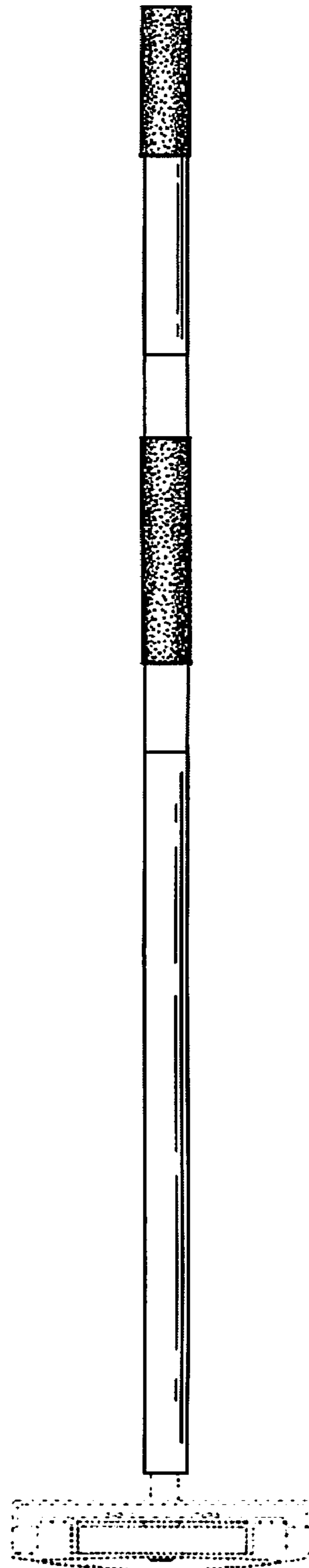


FIG. 2

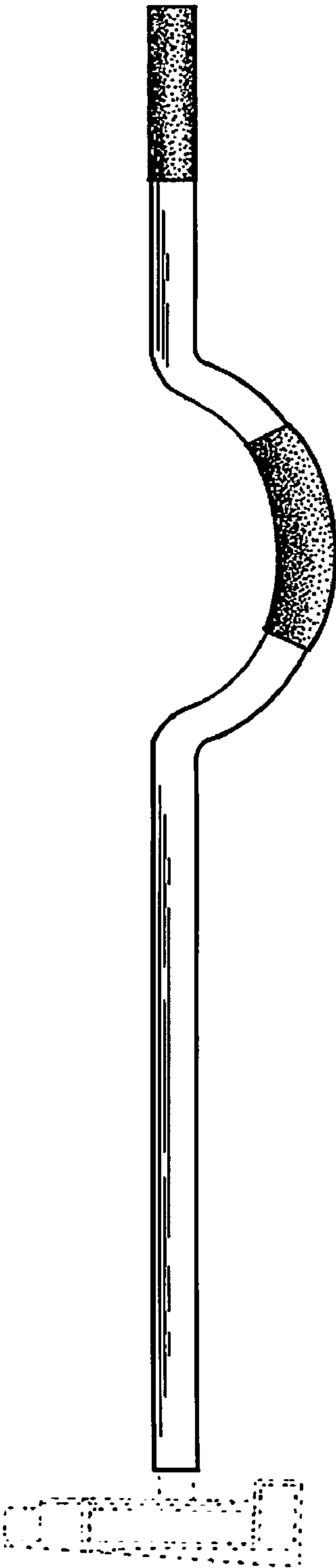


FIG. 3

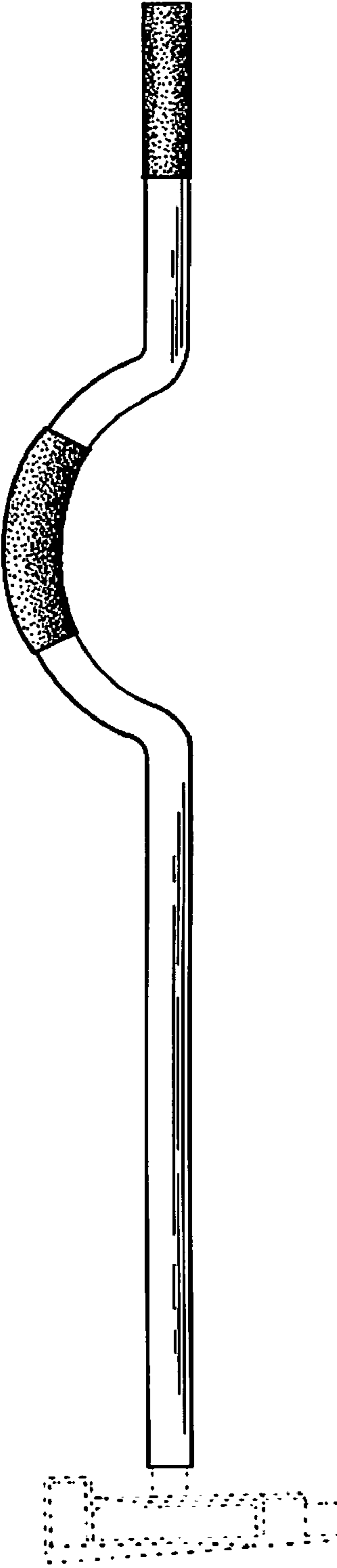


FIG. 4

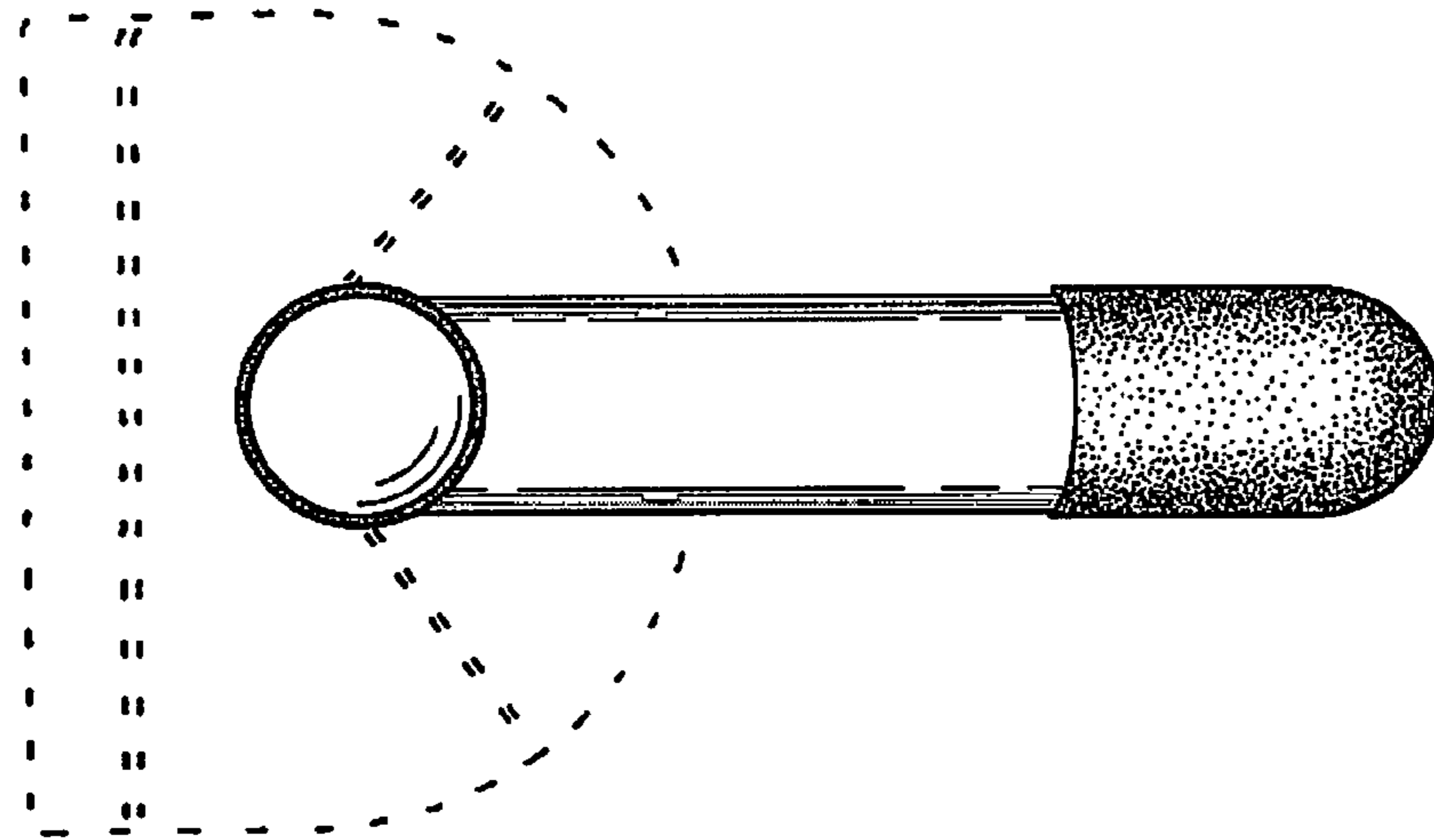


FIG. 5

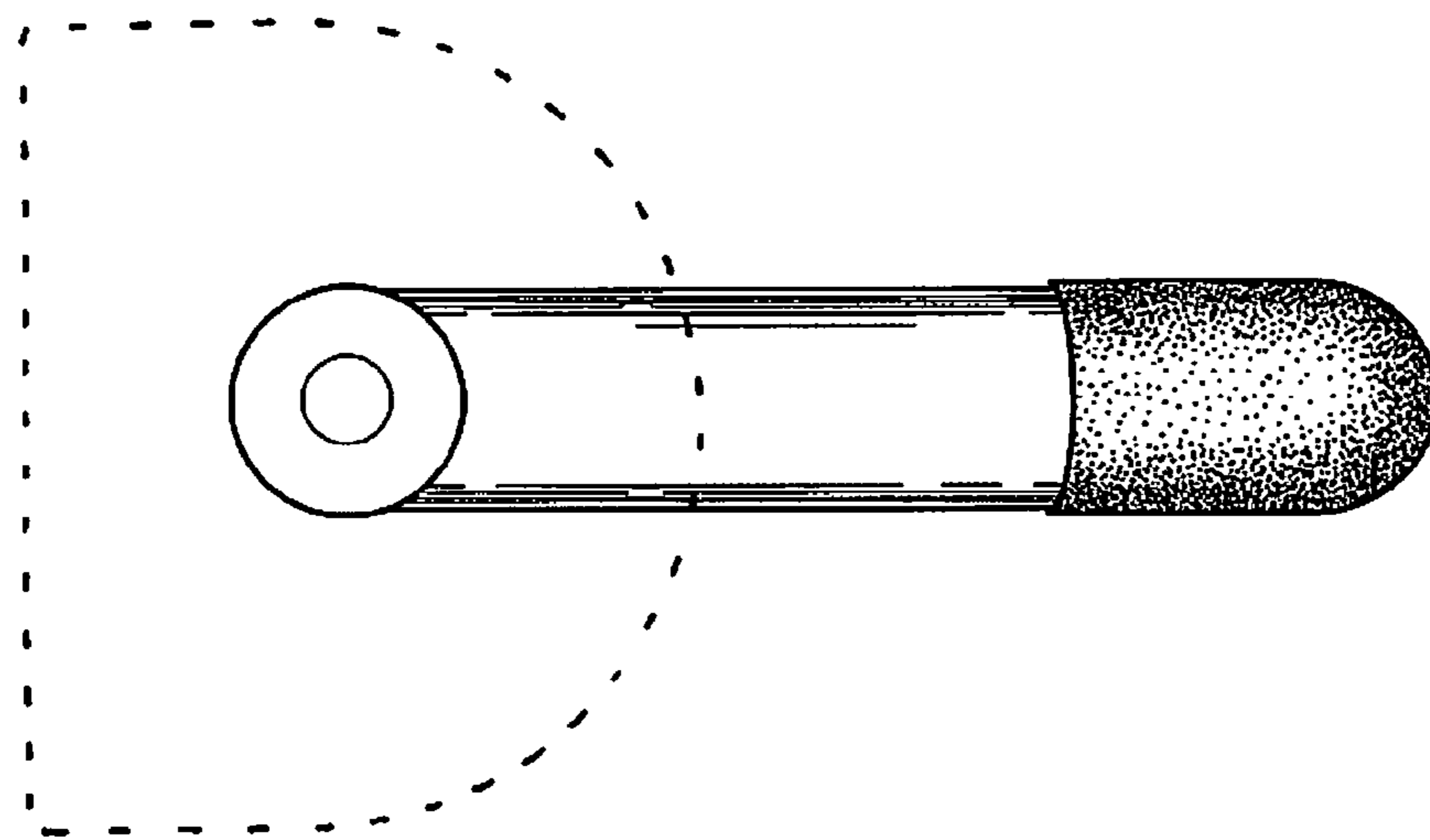


FIG. 6

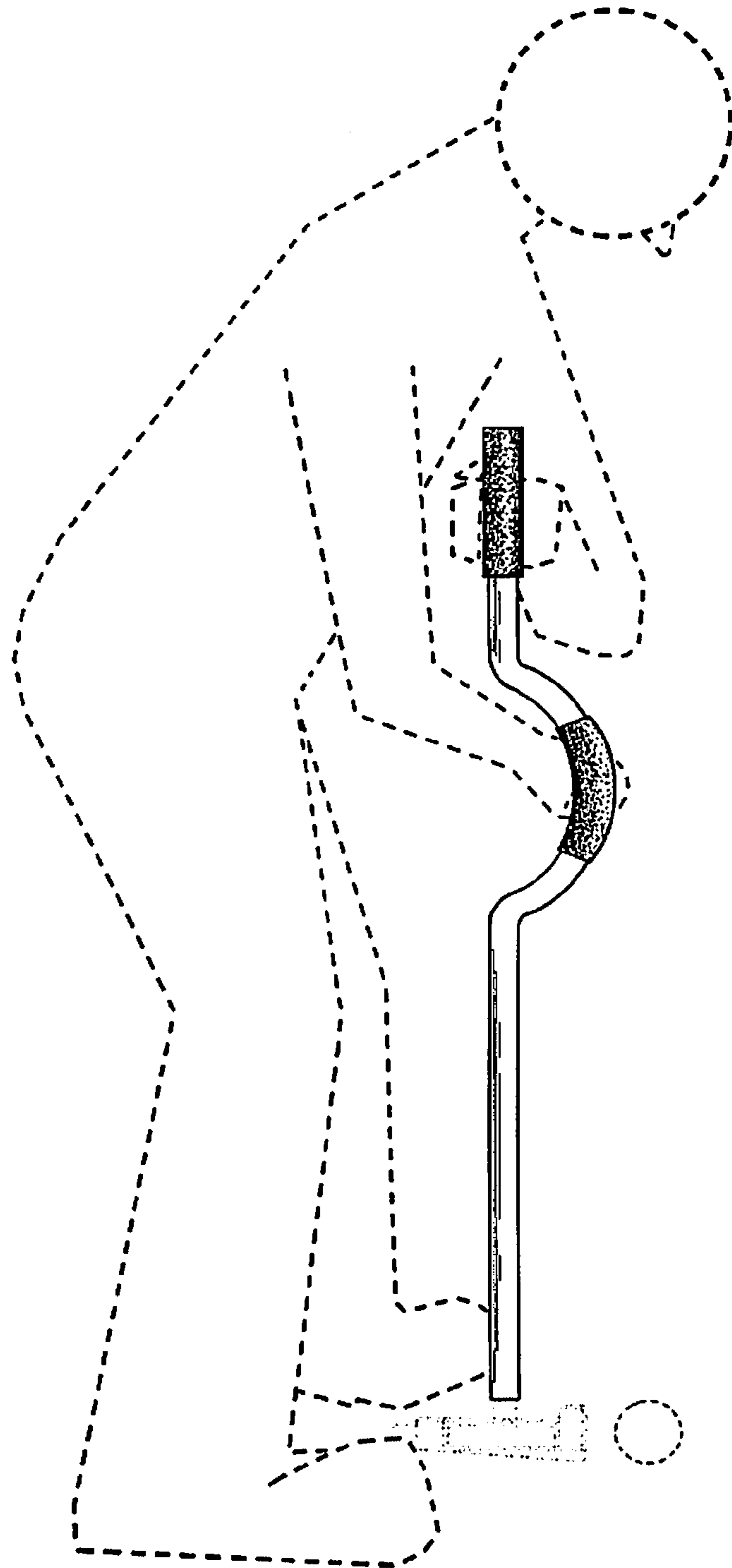


FIG. 7