



US00D676910S

(12) **United States Design Patent**
Button et al.

(10) **Patent No.:** **US D676,910 S**

(45) **Date of Patent:** **** Feb. 26, 2013**

(54) **CORK GRIP FOR GOLF PUTTERS**

(75) Inventors: **Mark Button**, Richmond, VA (US);
Whitfield Flowers, Tampa, FL (US)

(73) Assignee: **MW Outfitters, LLC**, Richmond, VA
(US)

(**) Term: **14 Years**

(21) Appl. No.: **29/413,884**

(22) Filed: **Feb. 22, 2012**

(51) **LOC (9) Cl.** **21-02**

(52) **U.S. Cl.** **D21/756**

(58) **Field of Classification Search** D21/756-758;
473/300-303, 201-204

See application file for complete search history.

(56) **References Cited**

U.S. PATENT DOCUMENTS

1,587,082	A	6/1926	Mattern	
3,173,689	A	3/1965	Serblin	
3,606,326	A	9/1971	Sparks	
3,782,725	A	1/1974	Giambazi	
3,837,647	A	9/1974	Jacques	
D265,576	S	7/1982	Lamkin et al.	
D314,600	S	2/1991	Tosti	
D319,278	S	8/1991	Tosti	
D355,011	S	1/1995	Subnick	
5,427,376	A	6/1995	Cummings	
D361,110	S	8/1995	Koeneman et al.	
D383,821	S *	9/1997	Wood	D21/756
D416,597	S	11/1999	Grove et al.	
6,226,836	B1	5/2001	Yasui	
6,666,777	B1	12/2003	Lamkin et al.	
D629,480	S	12/2010	Garsen	
D641,443	S *	7/2011	Watson	D21/756
D654,973	S *	2/2012	Marshall	D21/756
D658,247	S *	4/2012	Button	D21/756

OTHER PUBLICATIONS

http://corkygolf.com/Corky_Grips.html.

* cited by examiner

Primary Examiner — Mitchell Siegel

(74) *Attorney, Agent, or Firm* — Goodman Allen & Filetti, PLLC; Matthew T. Kitces

(57) **CLAIM**

The ornamental design for a cork grip for golf putters, as shown and described.

DESCRIPTION

FIG. 1 is an isometric view of a first embodiment of the invention.

FIG. 2 is a front view of a first embodiment of the invention.

FIG. 3 is a rear view of a first embodiment of the invention.

FIG. 4 is a left view of a first embodiment of the invention.

FIG. 5 is a right view of a first embodiment of the invention.

FIG. 6 is a bottom view of a first embodiment of the invention.

FIG. 7 is a top view of a first embodiment of the invention.

FIG. 8 is an isometric view of a second embodiment of the invention.

FIG. 9 is a front view of a second embodiment of the invention.

FIG. 10 is a rear view of a second embodiment of the invention.

FIG. 11 is a left view of a second embodiment of the invention.

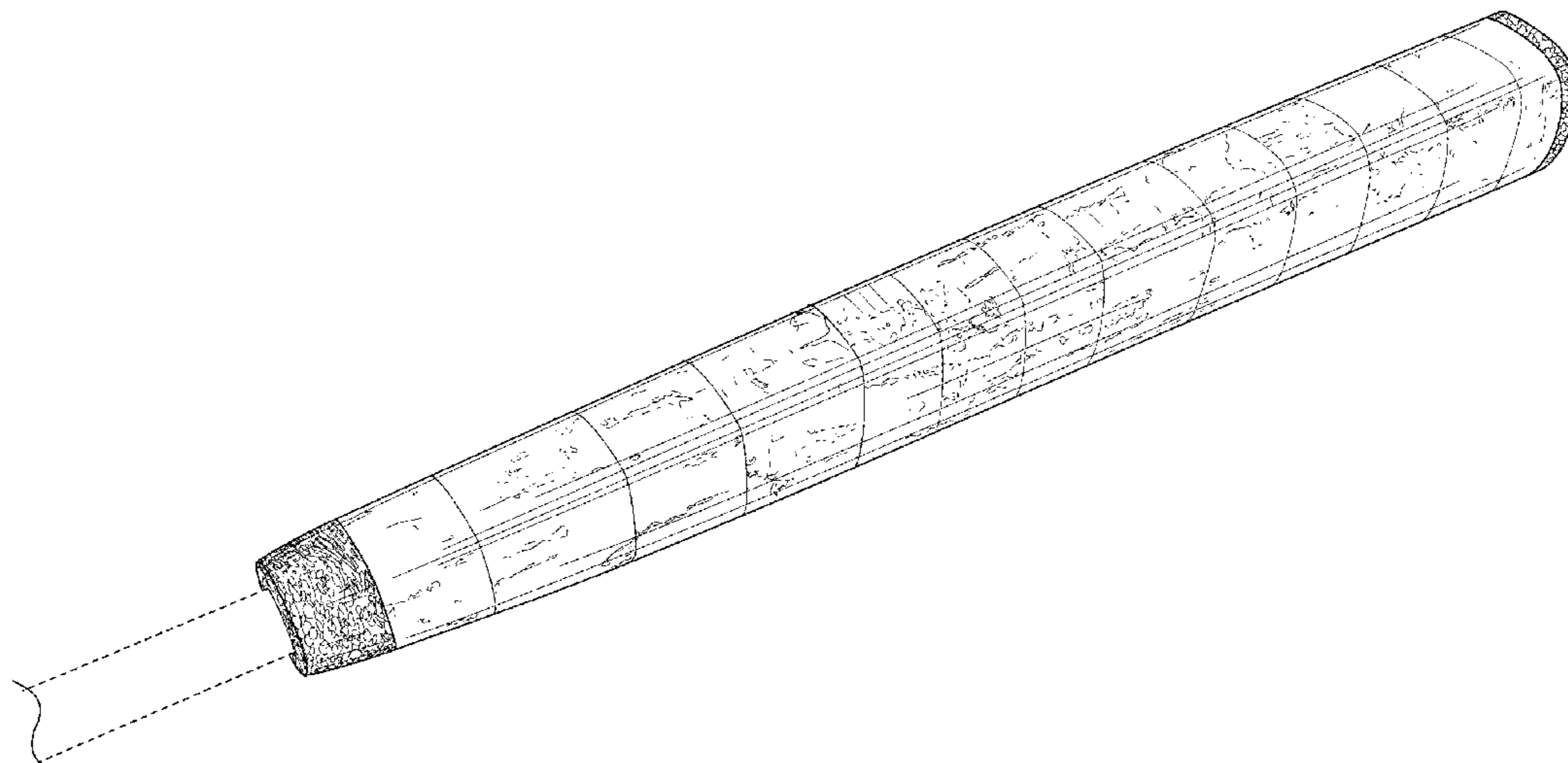
FIG. 12 is a right view of a second embodiment of the invention.

FIG. 13 is a bottom view of a second embodiment of the invention; and,

FIG. 14 is a top view of a second embodiment of the invention.

The broken lines showing the shaft, as seen in FIGS. 1 and 8, form no part of the claimed design.

1 Claim, 6 Drawing Sheets



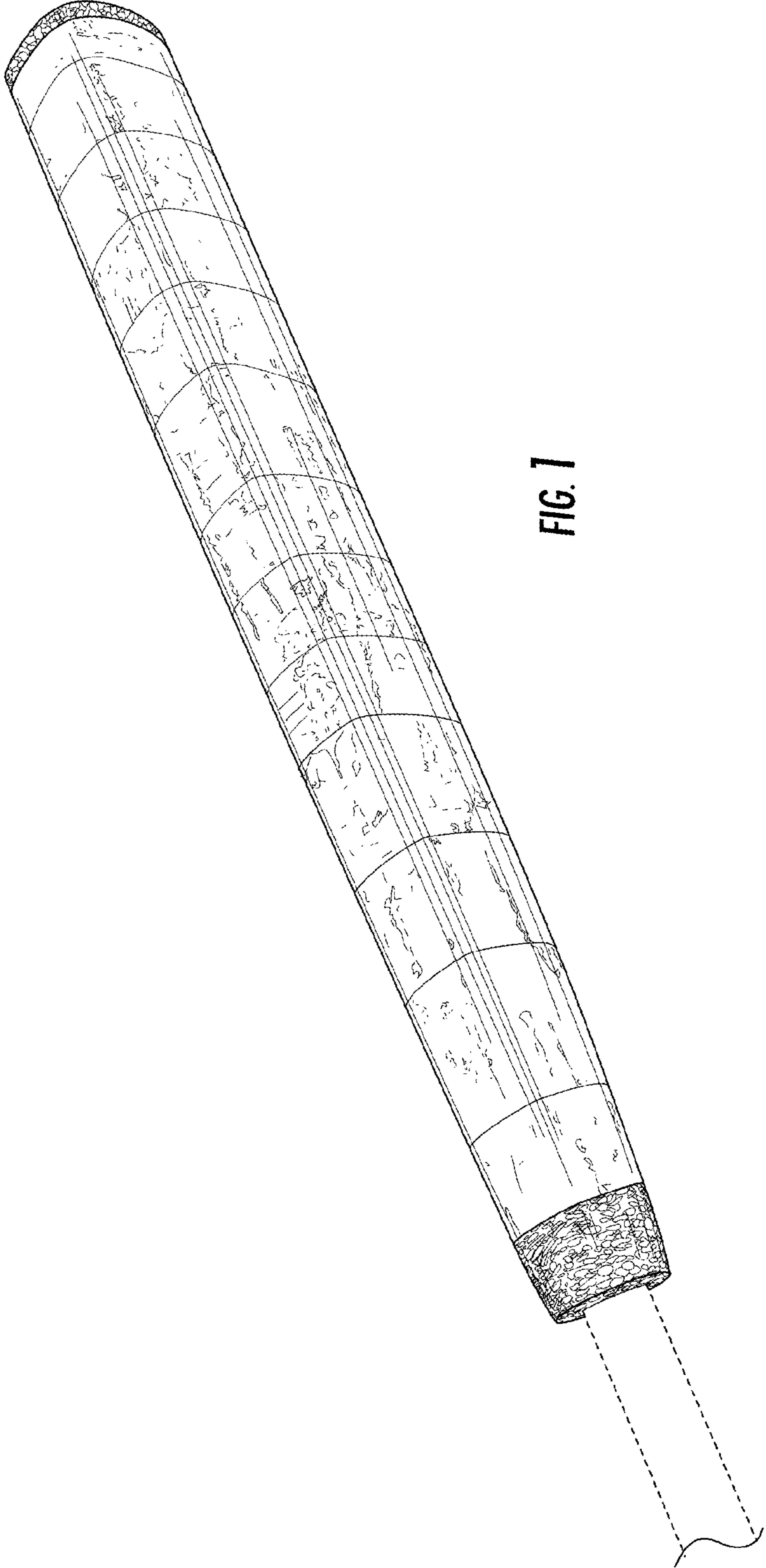


FIG. 1

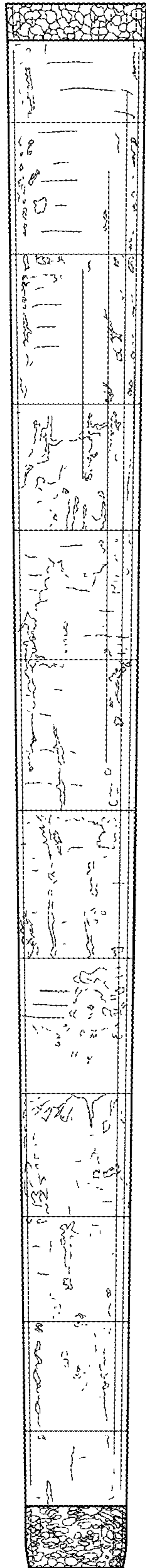


FIG. 2

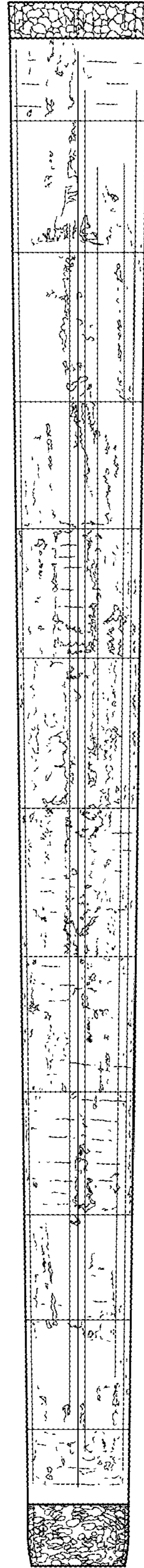


FIG. 3

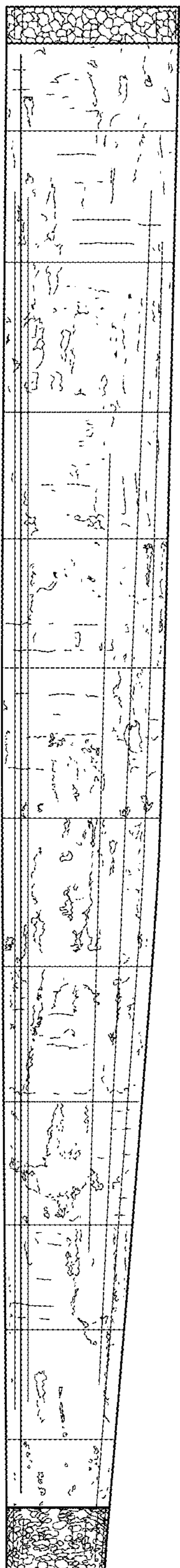


FIG. 4

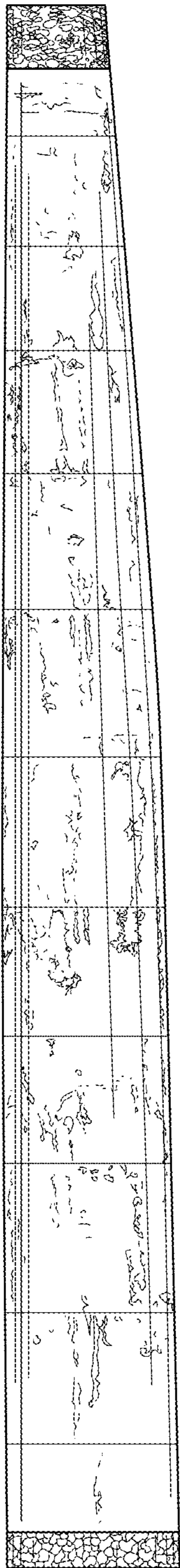


FIG. 5

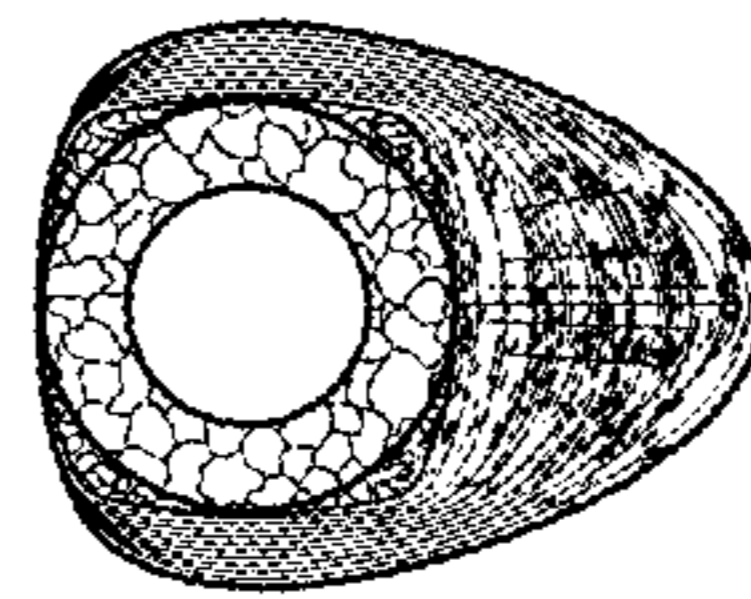


FIG. 6

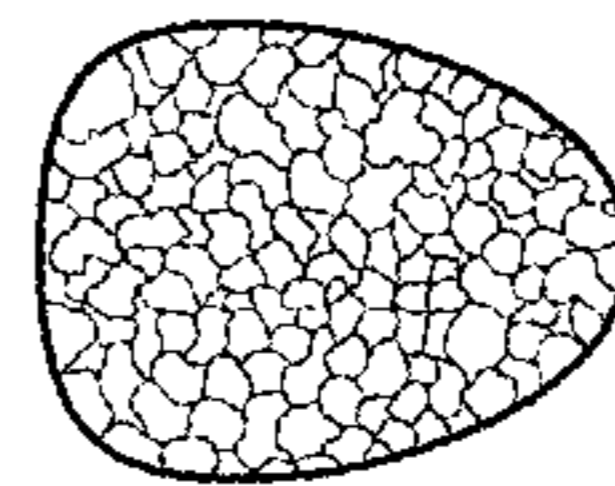


FIG. 7

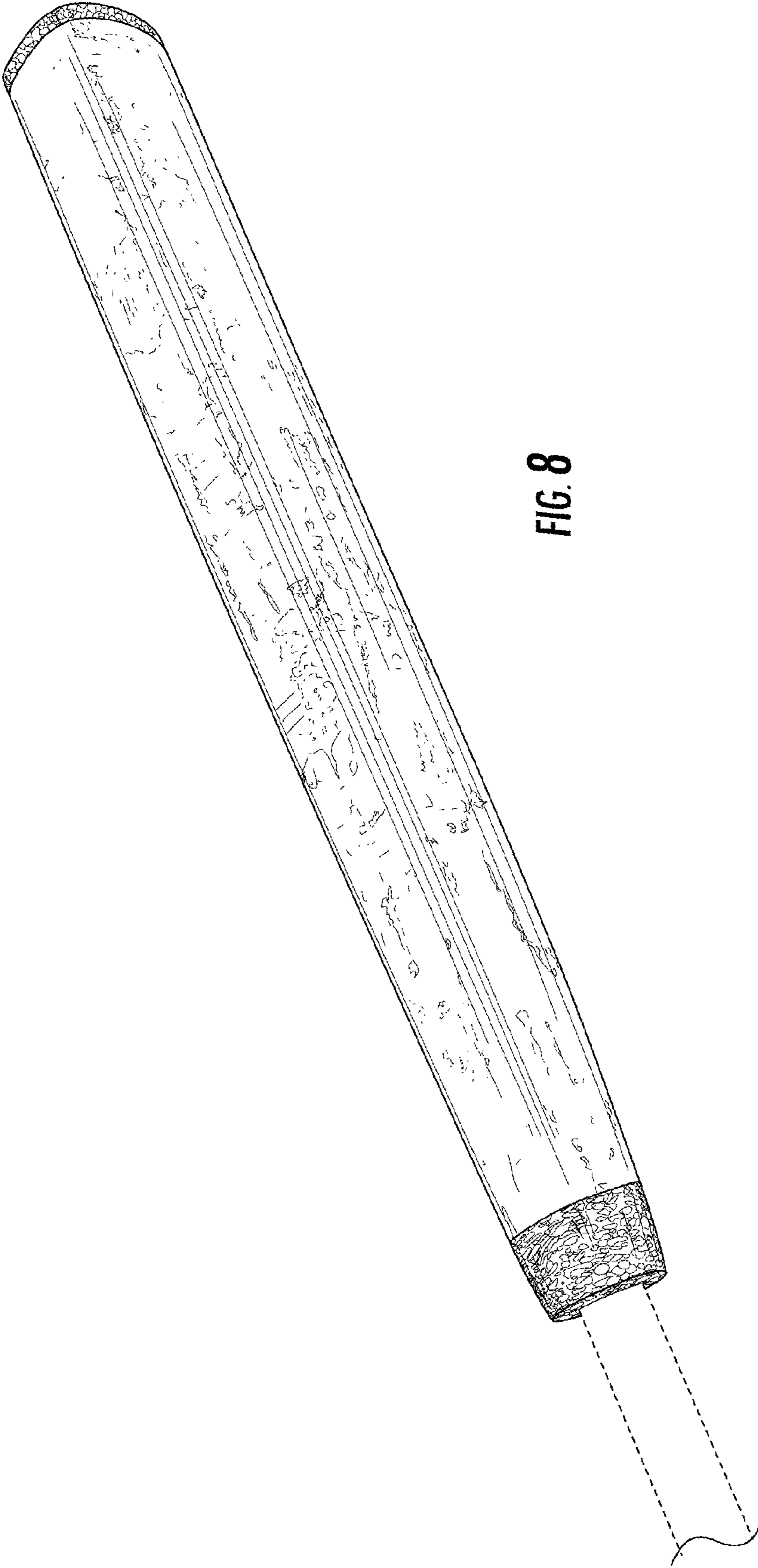


FIG. 8

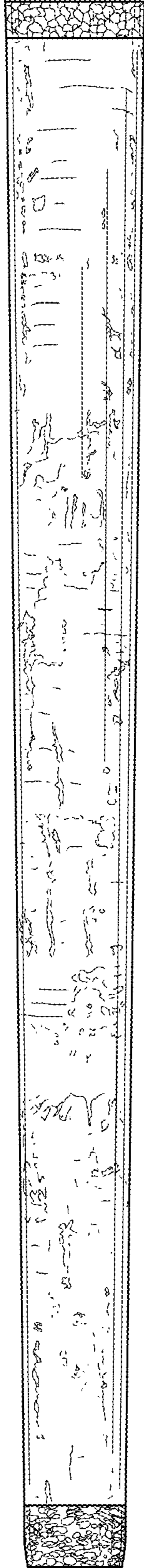


FIG. 9

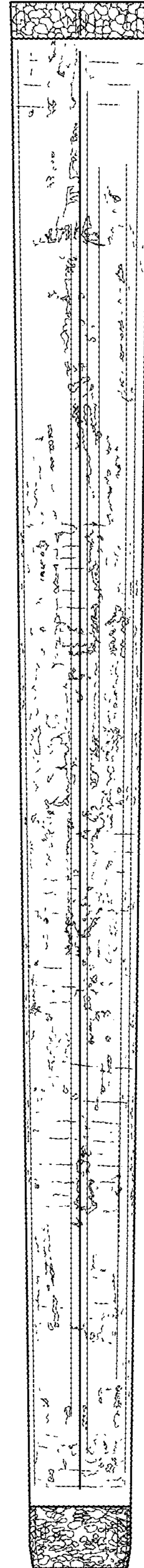


FIG. 10

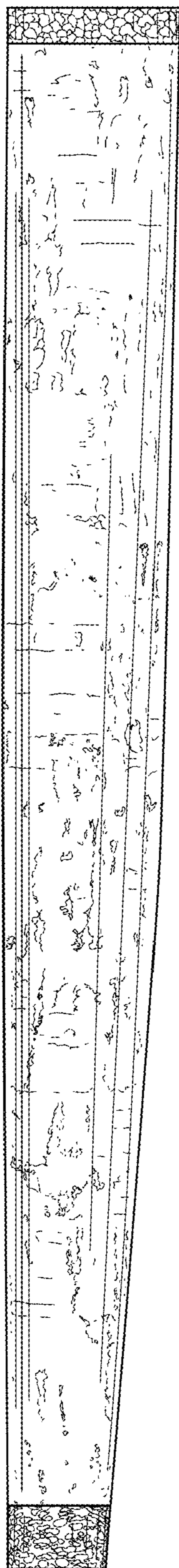


FIG. 11

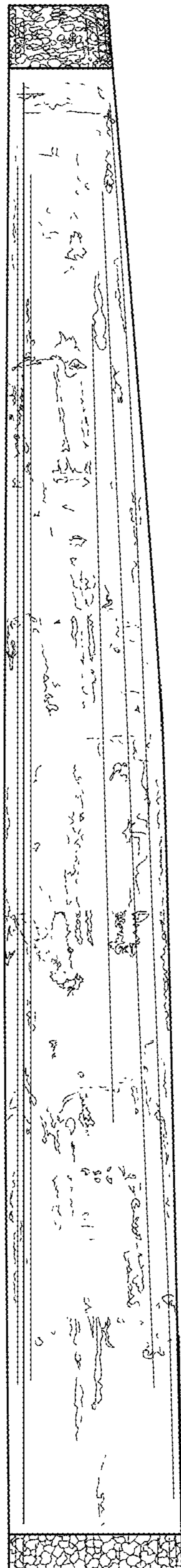


FIG. 12

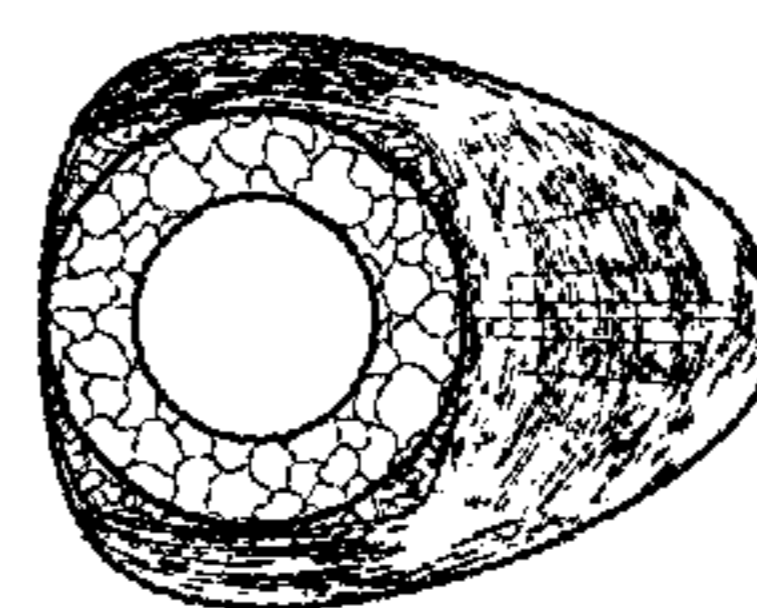


FIG. 13

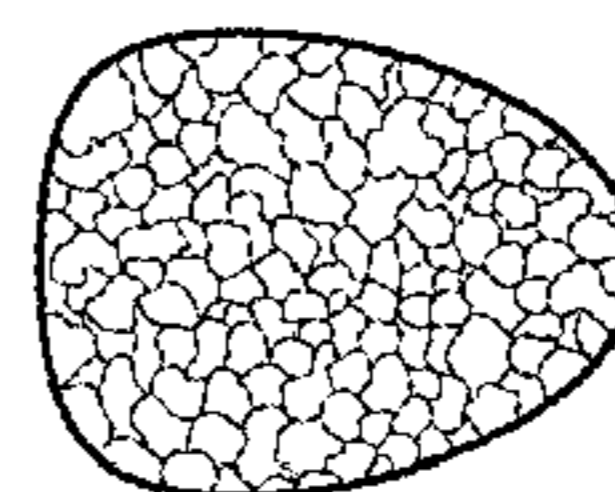


FIG. 14