



US00D676899S

(12) **United States Design Patent**
Suzuki

(10) **Patent No.:** **US D676,899 S**

(45) **Date of Patent:** **** Feb. 26, 2013**

(54) **PIANO**

(75) Inventor: **Toshihide Suzuki**, Hamamatsu (JP)

(73) Assignee: **Yamaha Corporation**, Shizuoka (JP)

(**) Term: **14 Years**

(21) Appl. No.: **29/365,822**

(22) Filed: **Jul. 15, 2010**

(30) **Foreign Application Priority Data**

Mar. 16, 2010 (JP) 2010-006392
Mar. 31, 2010 (JP) 2010-008089

(51) **LOC (9) Cl.** **17-01**

(52) **U.S. Cl.** **D17/8**

(58) **Field of Classification Search** D17/1,
D17/7, 8, 9; 84/13, 172, 174, 423 R, 177;
D21/405, 409

See application file for complete search history.

(56) **References Cited**

U.S. PATENT DOCUMENTS

| | | | | | | |
|--------------|----|---|---------|--------------------|-------|--------|
| D72,894 | S | * | 6/1927 | Farny | | D17/8 |
| D74,770 | S | * | 3/1928 | Zaiser | | D17/8 |
| 1,682,767 | A | * | 9/1928 | Opelt | | 84/180 |
| D78,246 | S | * | 4/1929 | Zaiser | | D17/8 |
| 1,794,816 | A | * | 3/1931 | Zeltner | | 84/177 |
| D168,962 | S | * | 3/1953 | Millington et al. | | D17/8 |
| 3,969,970 | A | * | 7/1976 | Swift et al. | | 84/177 |
| D310,232 | S | * | 8/1990 | Dong | | D17/8 |
| D322,089 | S | * | 12/1991 | Orris | | D17/8 |
| 6,992,242 | B2 | * | 1/2006 | Shirayanagi et al. | | 84/174 |
| D609,267 | S | * | 2/2010 | Ono | | D17/8 |
| 2009/0120264 | A1 | * | 5/2009 | Wheeler et al. | | 84/174 |

FOREIGN PATENT DOCUMENTS

| | | | |
|----|-----------------|---|---------|
| JP | 0809004 | S | 3/1991 |
| JP | 1236507 | S | 4/2005 |
| KR | 30-0363788-0000 | | 10/2004 |
| KR | 30-0363788-0001 | | 10/2004 |
| KR | 30-0363789-0000 | | 10/2004 |
| KR | 30-0363789-0001 | | 10/2004 |
| KR | 30-0363789-0002 | | 10/2004 |
| KR | 30-0363790-0000 | | 10/2004 |
| KR | 30-0363790-0001 | | 10/2004 |

OTHER PUBLICATIONS

Korean Office Action issued Sep. 16, 2011 in corresponding Korean Patent Application No. 30-2010-0030384.

* cited by examiner

Primary Examiner — Ian Simmons

Assistant Examiner — Carissa C Fitts

(74) *Attorney, Agent, or Firm* — Sughrue Mion, PLLC

(57) **CLAIM**

The ornamental design for a piano, as shown and described.

DESCRIPTION

FIG. 1 is a perspective view of the front, top and right of a piano according to our new design;

FIG. 2 is a front view thereof;

FIG. 3 is a rear view thereof;

FIG. 4 is a top plan view thereof;

FIG. 5 is a bottom view thereof;

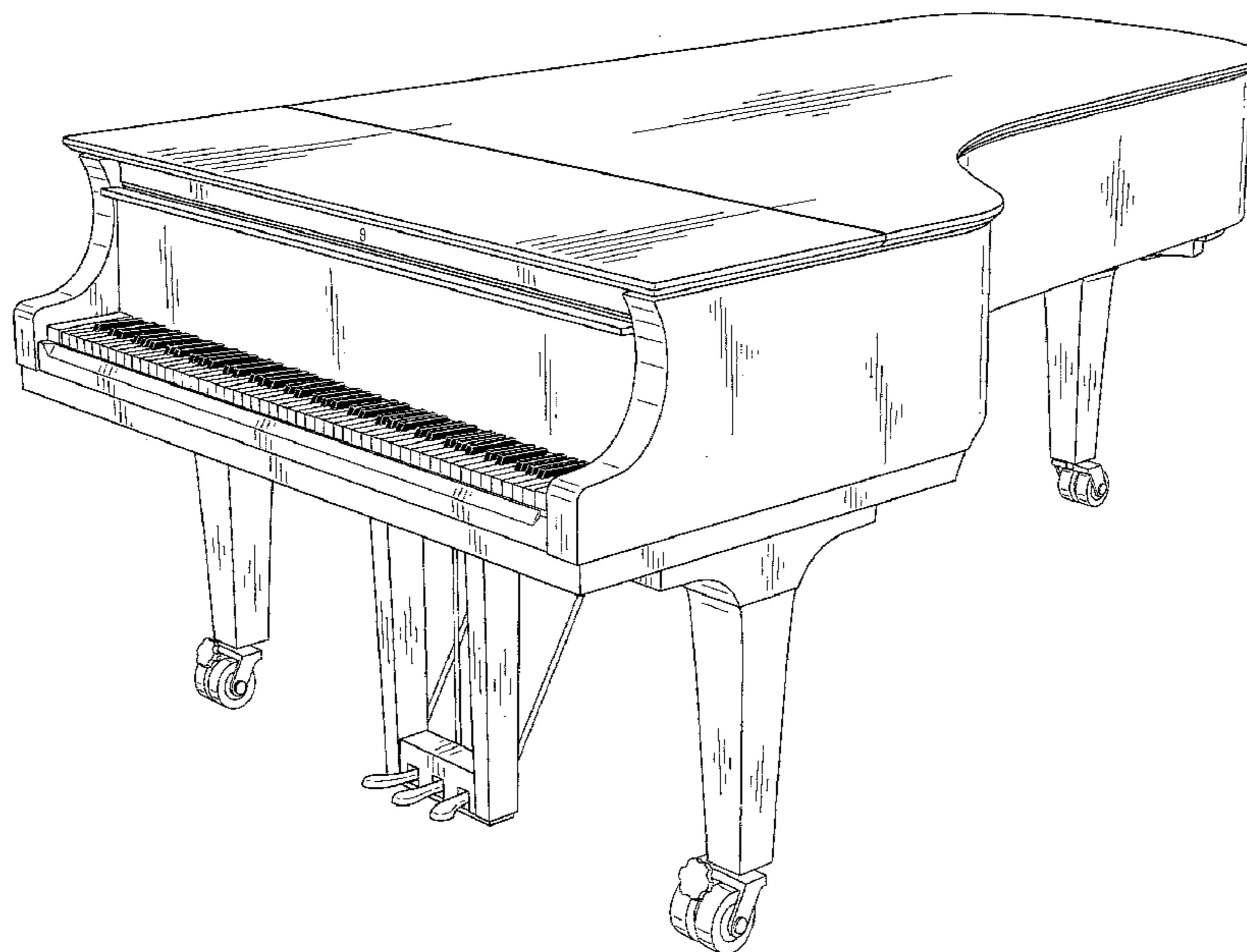
FIG. 6 is a left side view thereof;

FIG. 7 is a right side view thereof; and,

FIG. 8 is an enlarged view at 8-8 line thereof in FIG. 7.

The elements shown in broken lines are for illustrative purposes only and form no part of the claimed design.

1 Claim, 7 Drawing Sheets



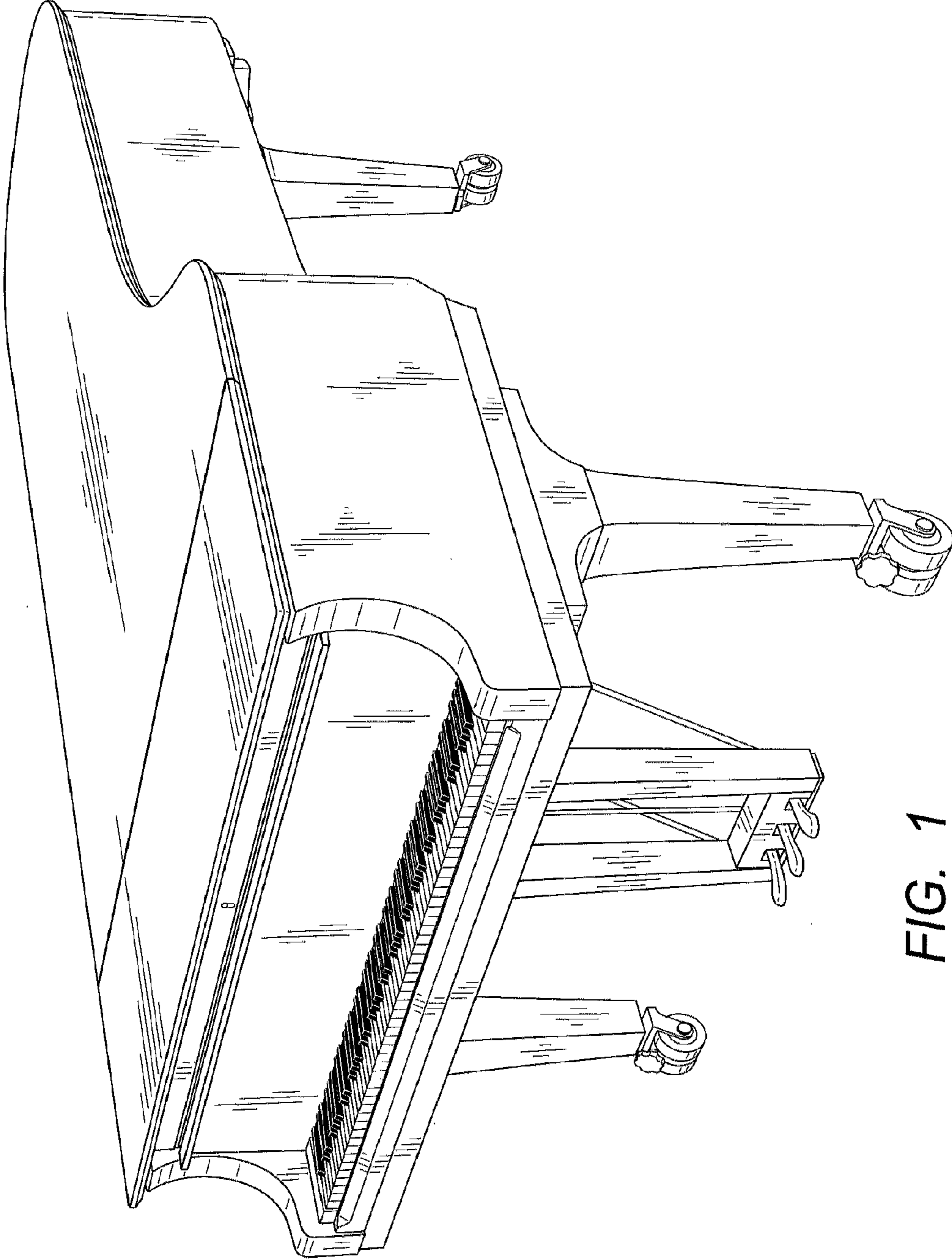


FIG. 1

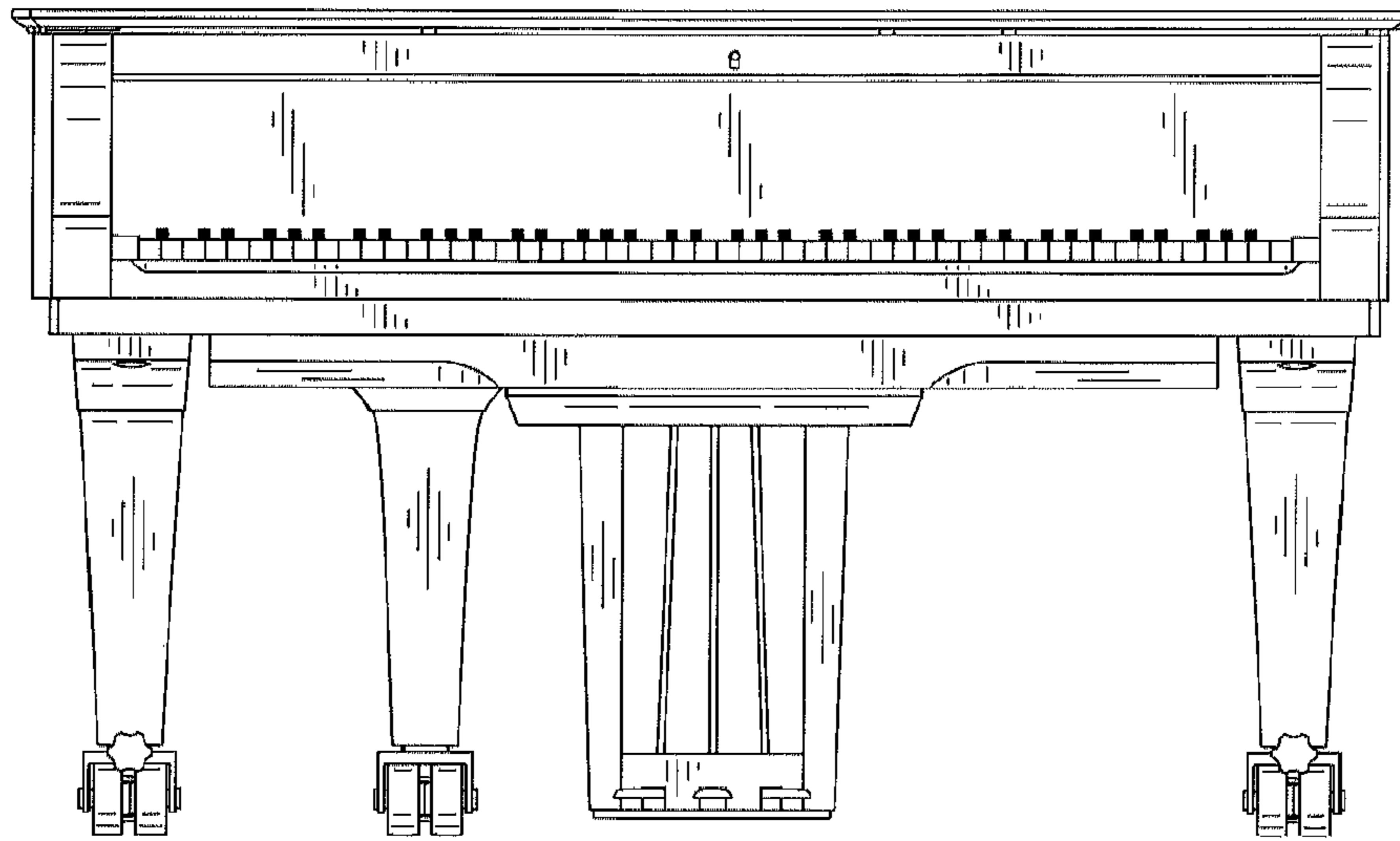


FIG. 2

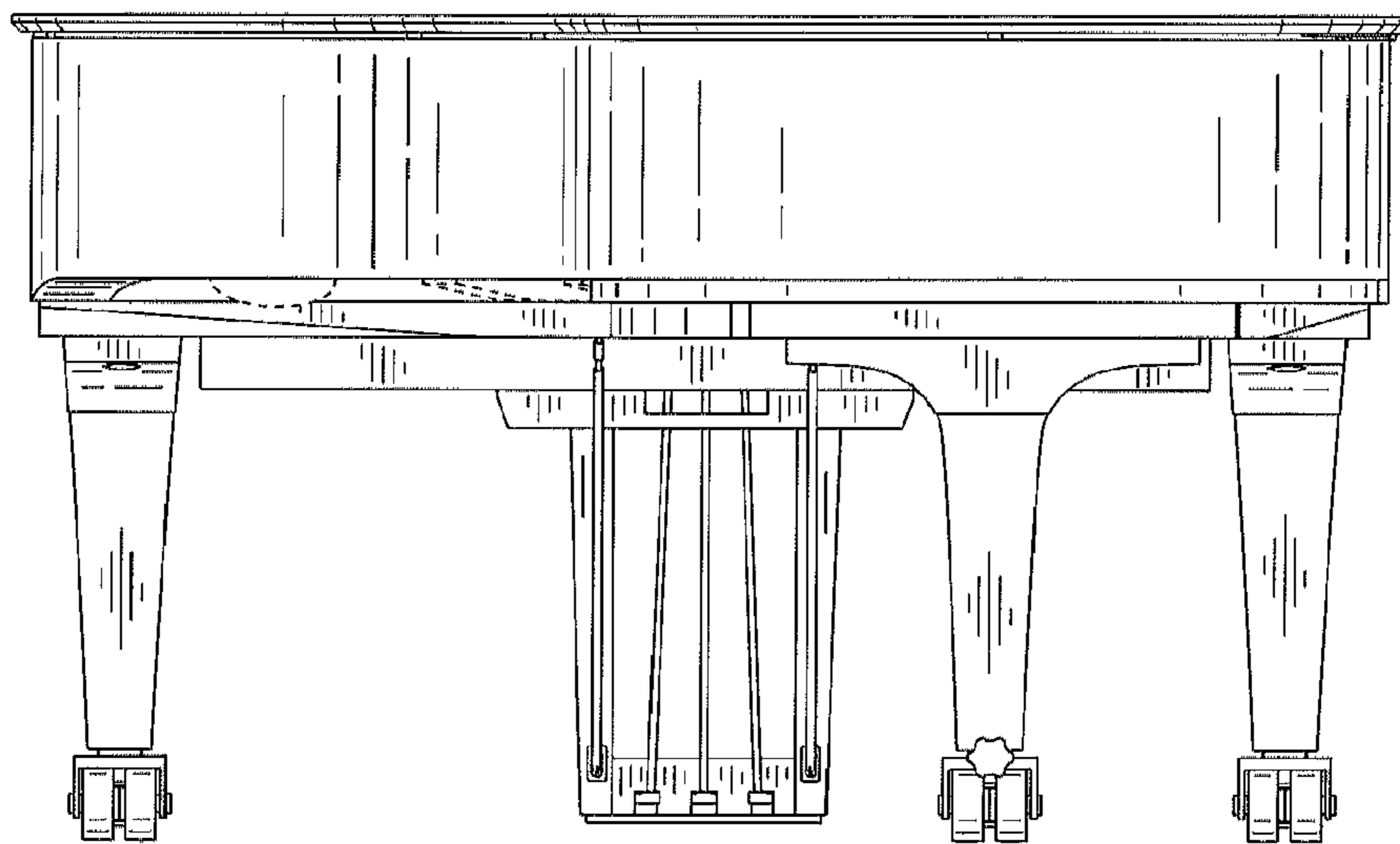


FIG. 3

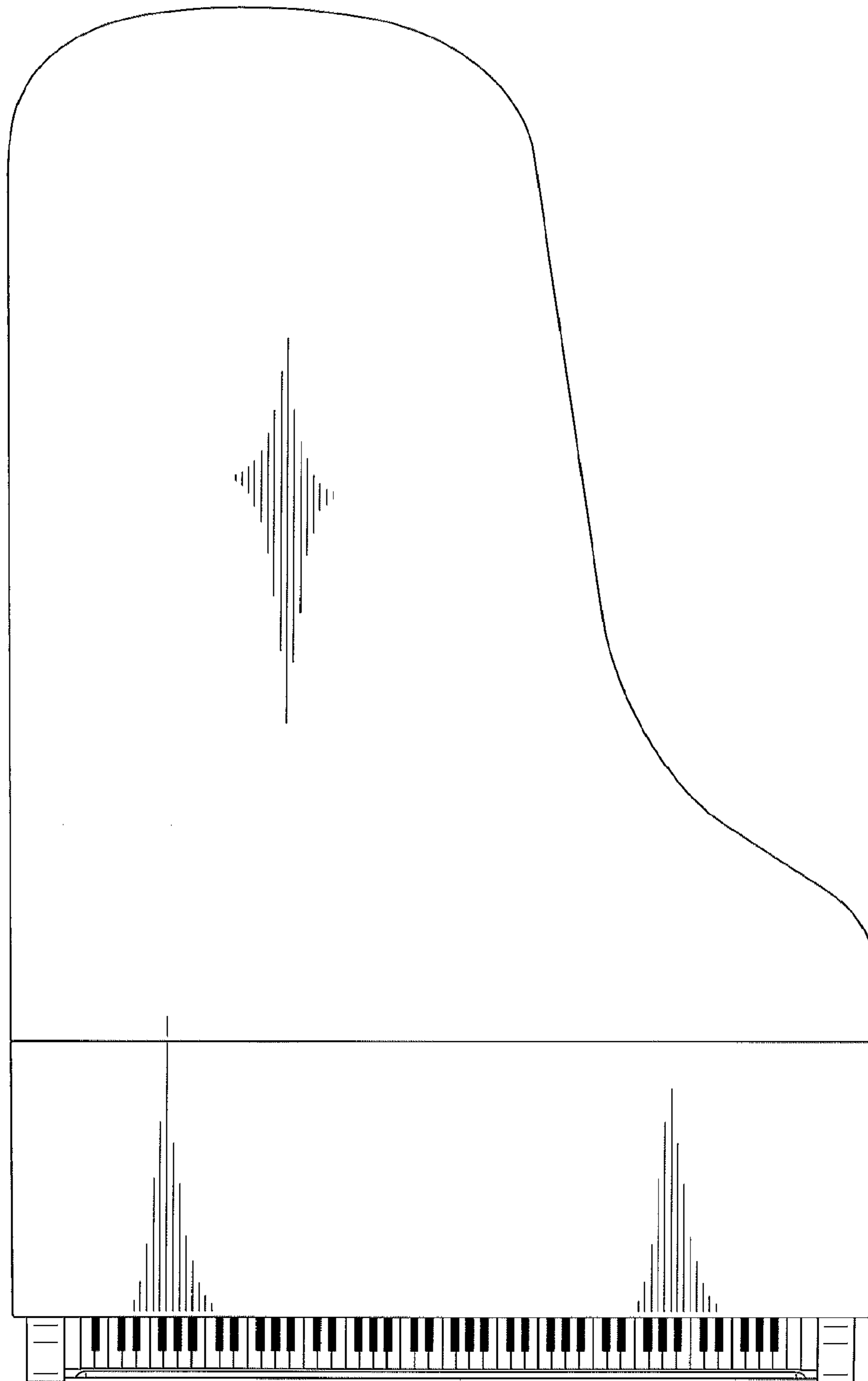


FIG. 4

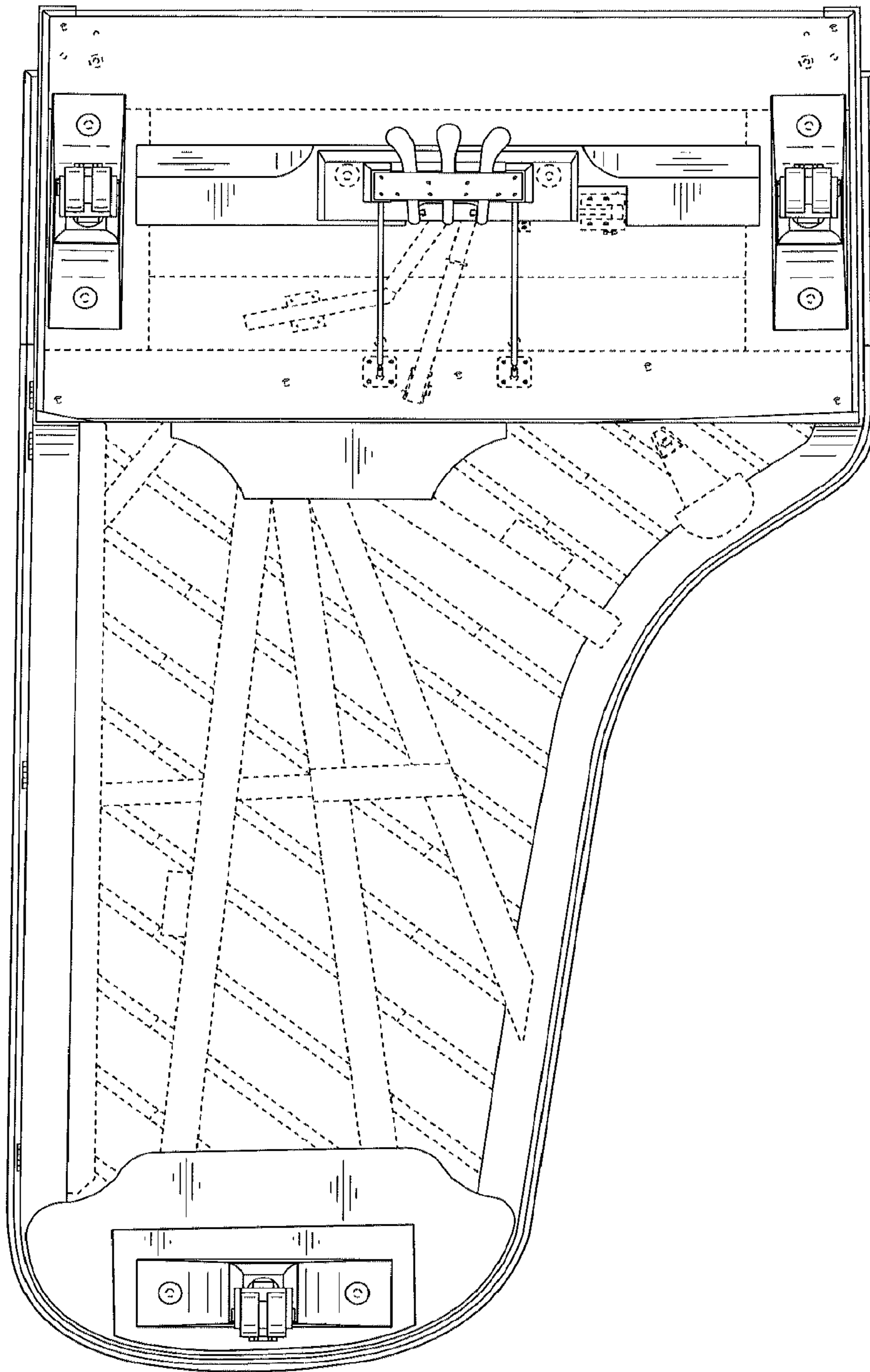


FIG. 5

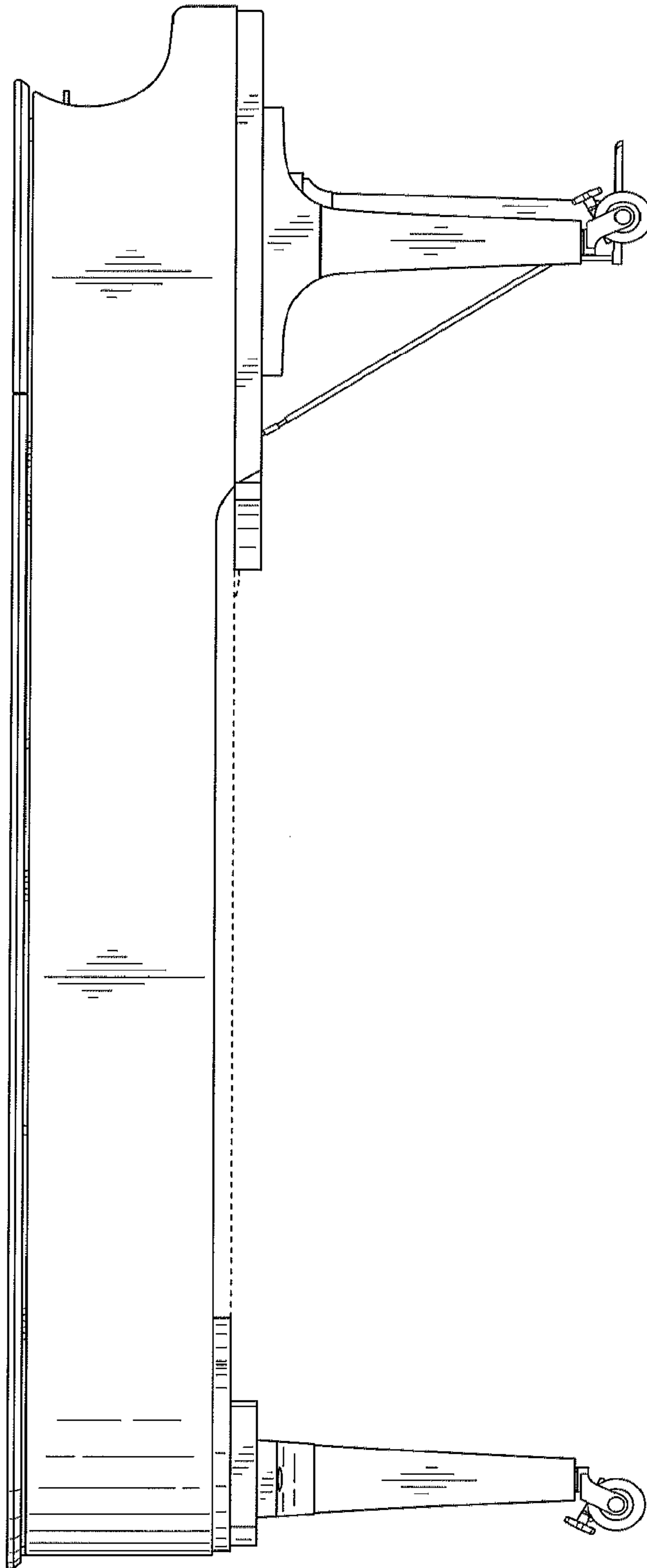


FIG. 6

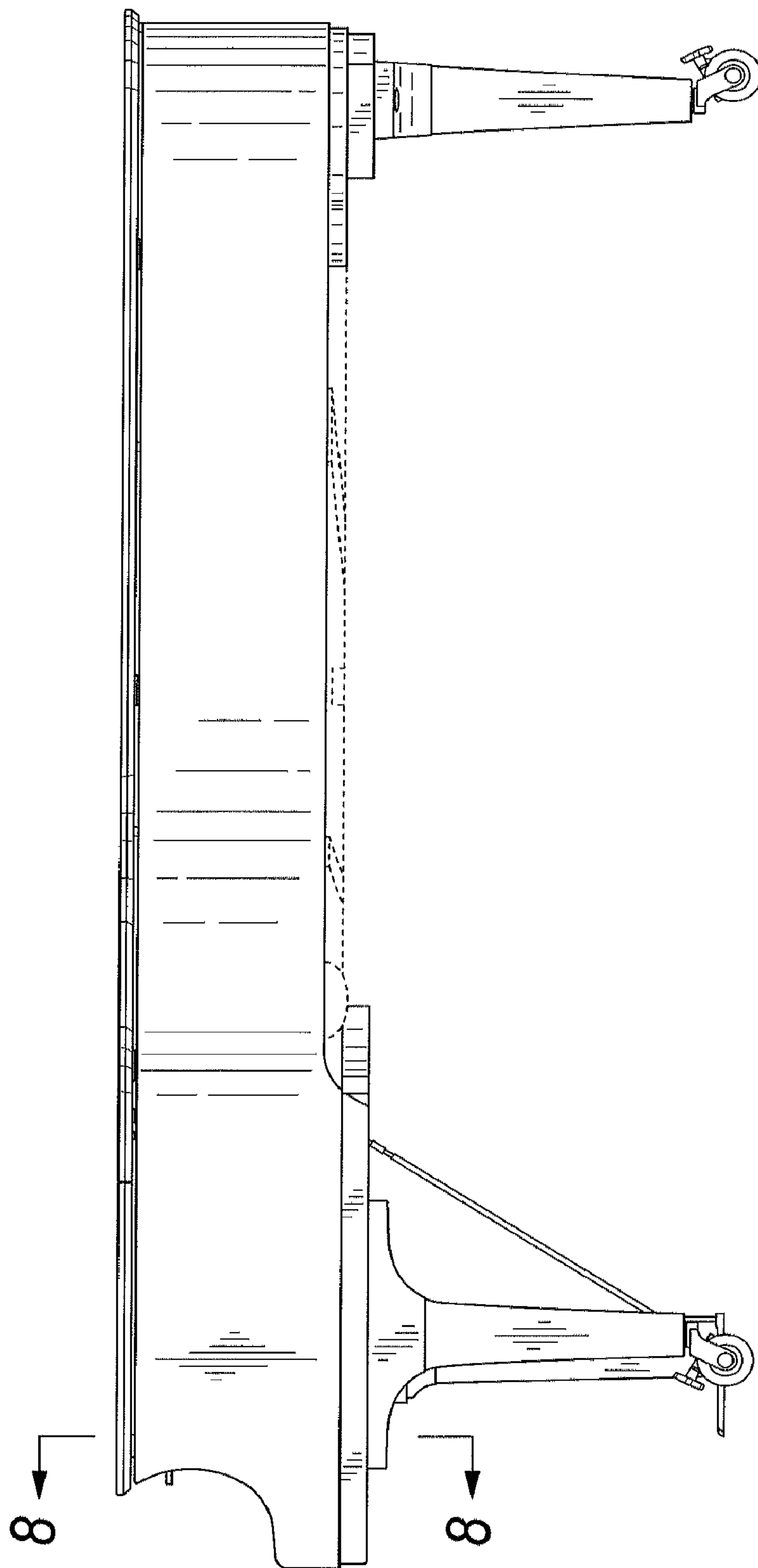


FIG. 7

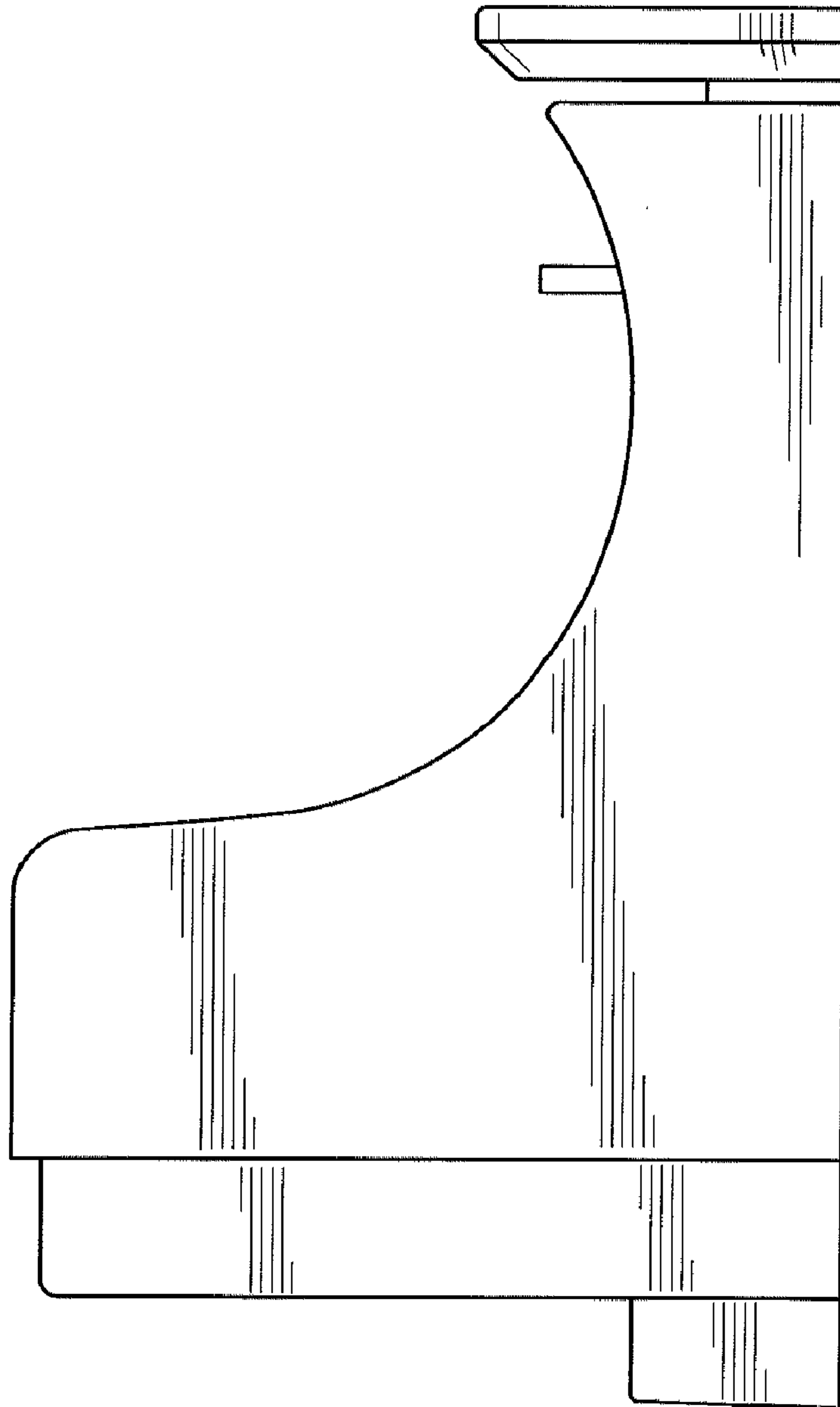


FIG. 8