



US00D676891S

(12) **United States Design Patent**
Fairburn

(10) **Patent No.:** **US D676,891 S**

(45) **Date of Patent:** **** Feb. 26, 2013**

(54) **MOUNT FOR MULTIPLE CAMERAS
CAPTURING 3D CONTENT**

(75) **Inventor:** **B. Sean Fairburn**, Ponchatoula, LA
(US)

(73) **Assignee:** **Multiple InterOcular 3-D, L.L.C.**,
Ponchatoula, LA (US)

(**) **Term:** **14 Years**

(21) **Appl. No.:** **29/389,228**

(22) **Filed:** **Apr. 7, 2011**

(51) **LOC (9) Cl.** **16-05**

(52) **U.S. Cl.** **D16/242**

(58) **Field of Classification Search** D16/242,
D16/243, 245; 248/176.1, 187.1; 348/373;
396/419-421

See application file for complete search history.

(56) **References Cited**

U.S. PATENT DOCUMENTS

3,286,212	A *	11/1966	Thompson et al.	248/187.1
4,304,483	A *	12/1981	Whitten	396/351
D307,286	S *	4/1990	Ginder	D16/242
5,322,251	A *	6/1994	Schumer et al.	248/187.1
5,810,313	A *	9/1998	Armstrong	396/419

* cited by examiner

Primary Examiner — Adir Aronovich

(74) *Attorney, Agent, or Firm* — Osha Liang LLP

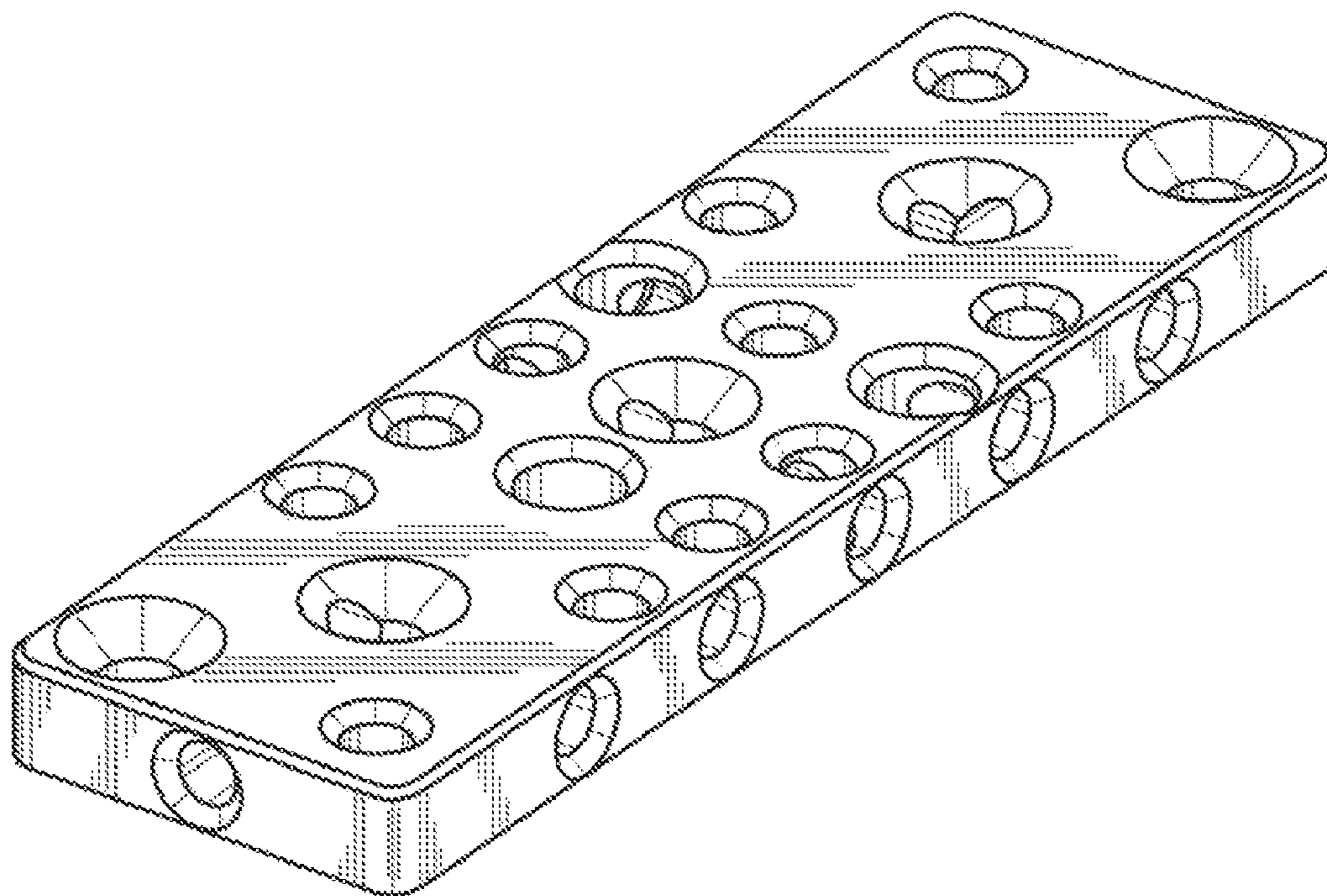
(57) **CLAIM**

The ornamental design for a mount for multiple cameras capturing 3D content, as shown and described.

DESCRIPTION

FIG. 1 shows a front perspective view of a mount for multiple cameras capturing 3D content according to my invention. FIG. 2 shows a top plan view thereof. FIG. 3 shows a bottom plan view thereof. FIG. 4 shows a right side elevational view thereof; and, FIG. 5 shows a front elevational view thereof.

1 Claim, 3 Drawing Sheets



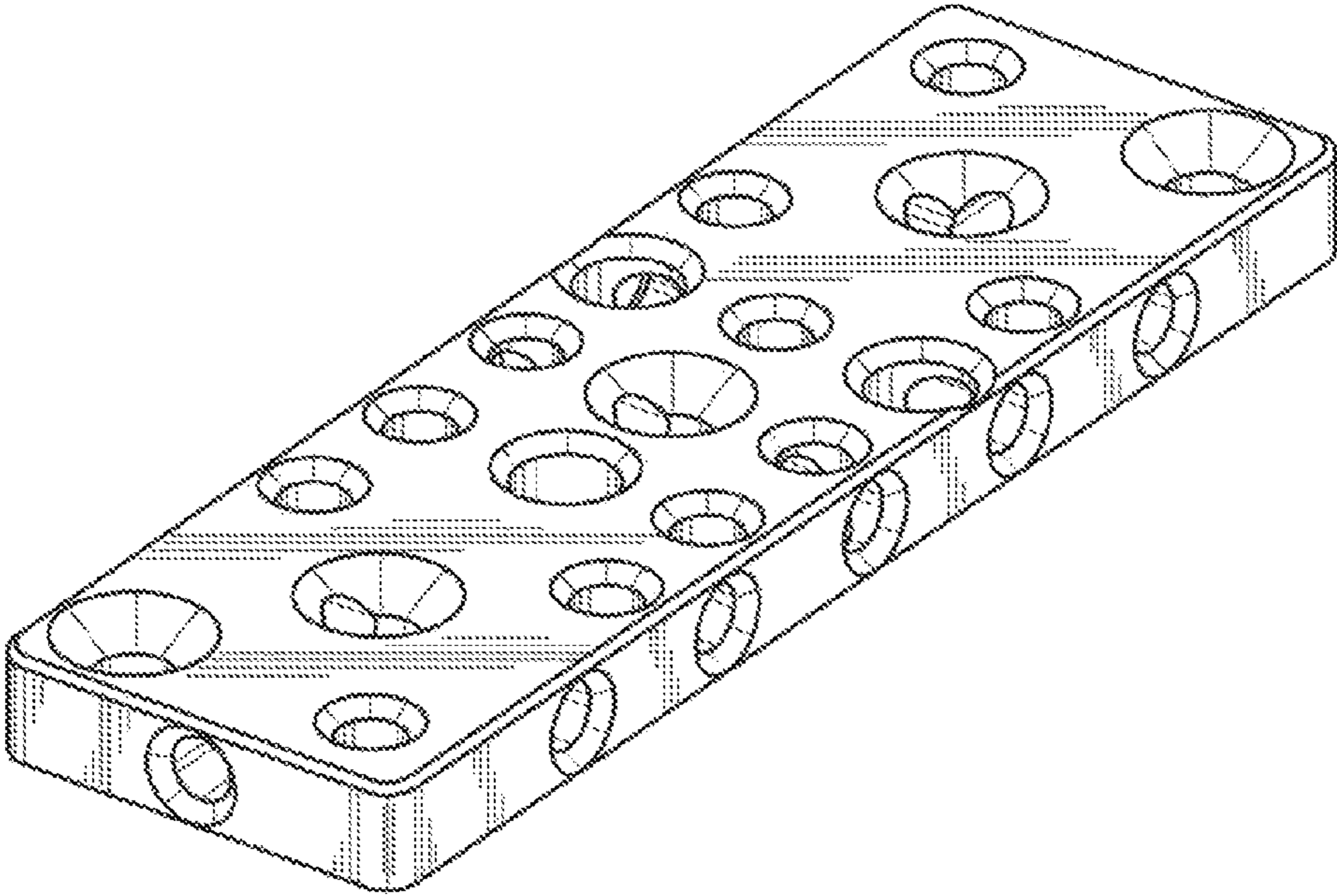


FIG. 1

FIG.2

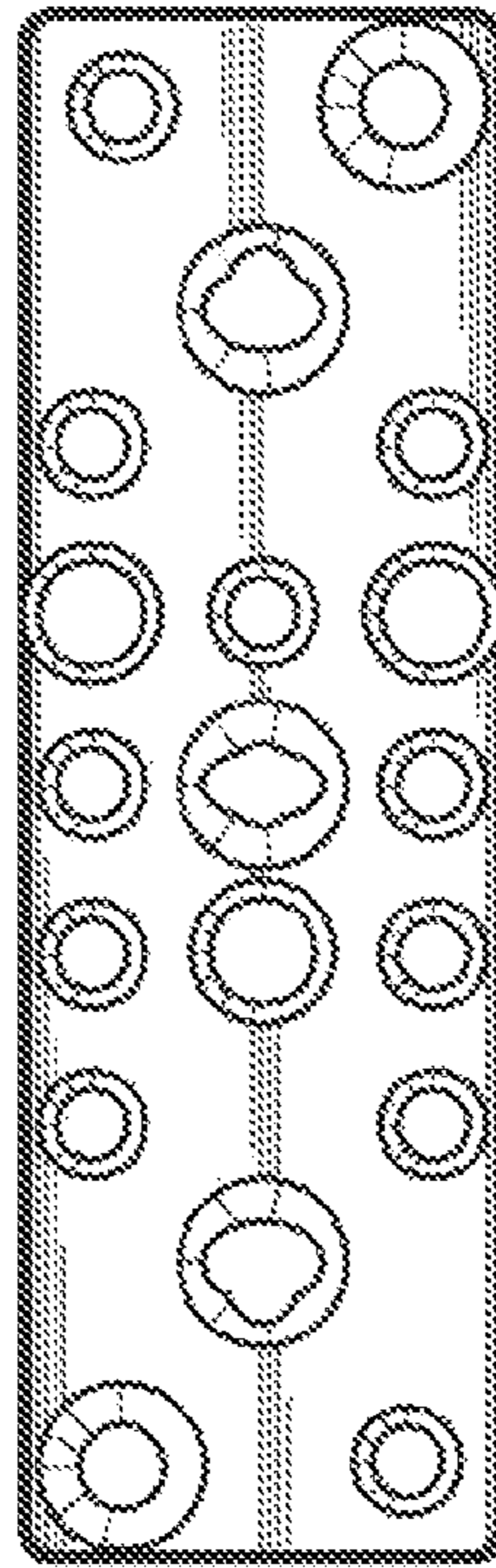


FIG.3

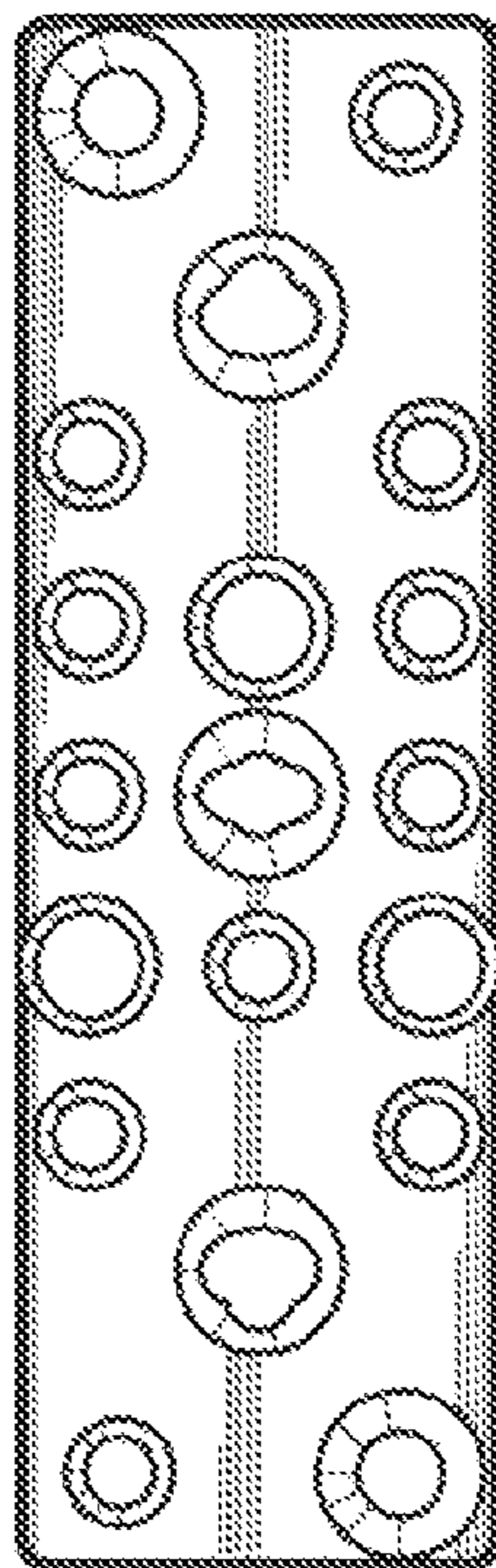




FIG. 4



FIG. 5