



US00D676890S

(12) **United States Design Patent**
Sheppard et al.

(10) **Patent No.:** **US D676,890 S**

(45) **Date of Patent:** **** Feb. 26, 2013**

(54) **ELECTRONIC DEVICE**

(75) Inventors: **Nasahn Adam Sheppard**, Mill Valley, CA (US); **Maarten Dinger**, San Francisco, CA (US); **Peter Michaelian**, Tappan, NY (US); **John Furlan**, Belmont, CA (US); **Jonathan Kaplan**, San Francisco, CA (US); **Ariel Braunstein**, San Francisco, CA (US); **Simon Fleming-Wood**, Oakland, CA (US); **Elizabeth A. Cleary**, San Francisco, CA (US)

(73) Assignee: **CISCO Technology, Inc.**, San Jose, CA (US)

(**) Term: **14 Years**

(21) Appl. No.: **29/379,149**

(22) Filed: **Nov. 15, 2010**

Related U.S. Application Data

(63) Continuation of application No. 29/345,077, filed on Oct. 8, 2009, now Pat. No. Des. 627,383.

(51) **LOC (9) Cl.** **16-05**

(52) **U.S. Cl.** **D16/219**

(58) **Field of Classification Search** D16/200–204,
D16/208, 218, 219; 348/373–376; 358/909.1;
396/535–541

See application file for complete search history.

(56) **References Cited**

U.S. PATENT DOCUMENTS

D617,821	S	*	6/2010	Kaplan et al.	D16/202
D627,380	S	*	11/2010	Sheppard et al.	D16/202
D627,383	S	*	11/2010	Sheppard et al.	D16/219
D632,324	S	*	2/2011	Dinger et al.	D16/202
8,055,297	B2	*	11/2011	Guo	348/374
D666,656	S	*	9/2012	Furlan et al.	D16/202

* cited by examiner

Primary Examiner — Adir Aronovich

(74) *Attorney, Agent, or Firm* — Patterson & Sheridan, LLP

(57) **CLAIM**

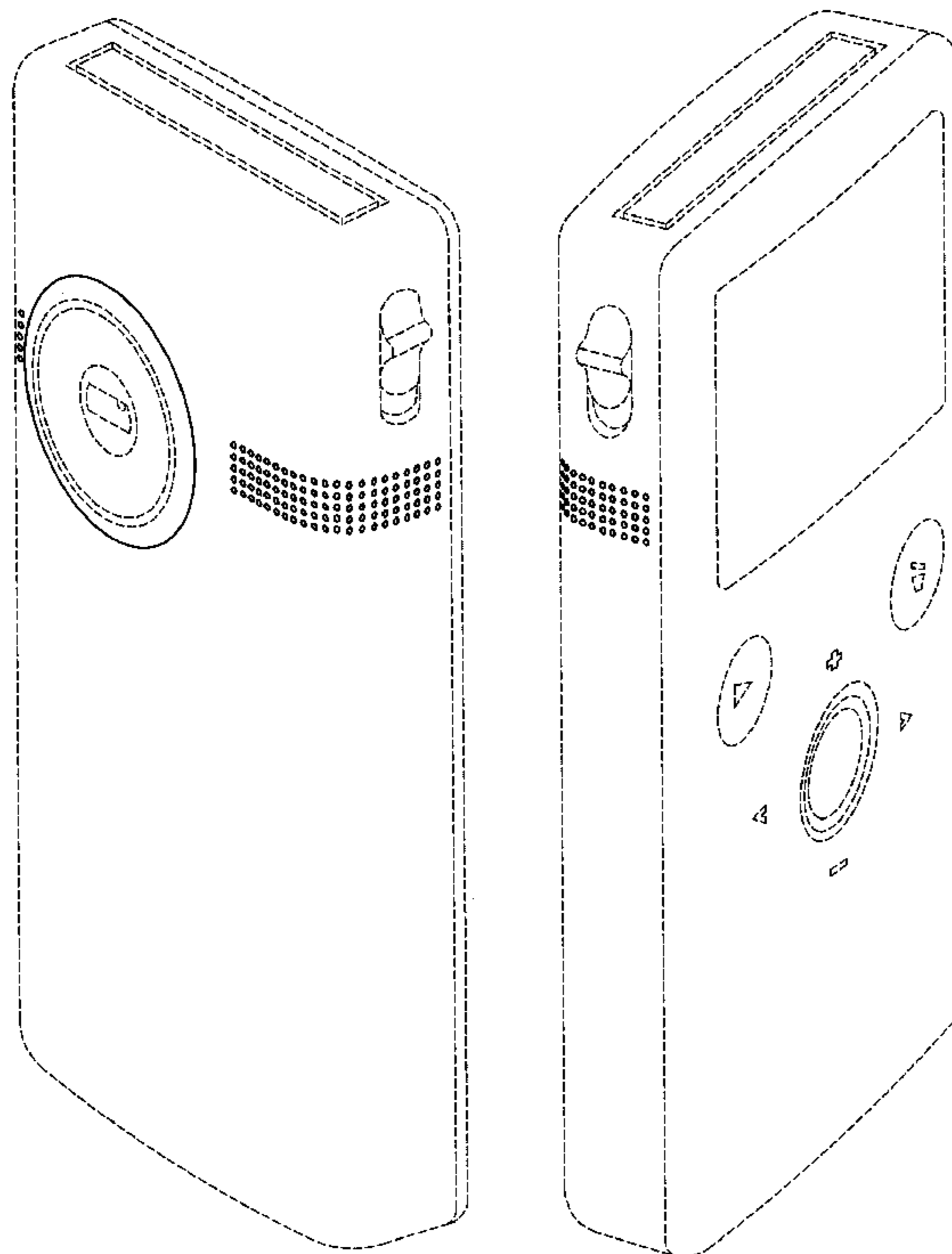
The ornamental design for an electronic device, as shown and described.

DESCRIPTION

FIG. 1 is a front and left side perspective view of an electronic device showing our new design;
FIG. 2 is rear and left side perspective view thereof;
FIG. 3 is another front and left side perspective view thereof;
FIG. 4 is another rear and left side view thereof;
FIG. 5 is a right side elevational view thereof;
FIG. 6 is a left side elevational view thereof;
FIG. 7 is a top plan view thereof;
FIG. 8 is bottom plan view thereof;
FIG. 9 is a front elevational view thereof; and,
FIG. 10 is rear elevational view thereof.

The portions of the electronic device in broken lines are shown to illustrate environment only and form no part of the claimed design.

1 Claim, 8 Drawing Sheets



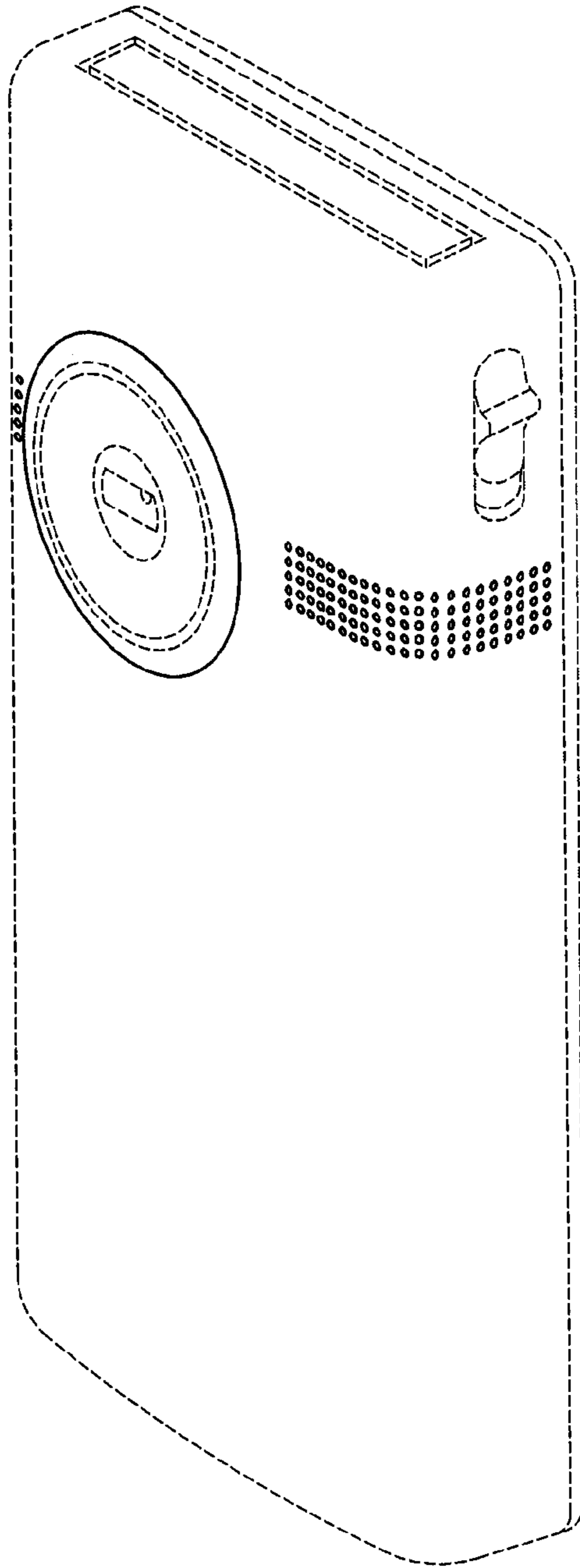


FIG. 1

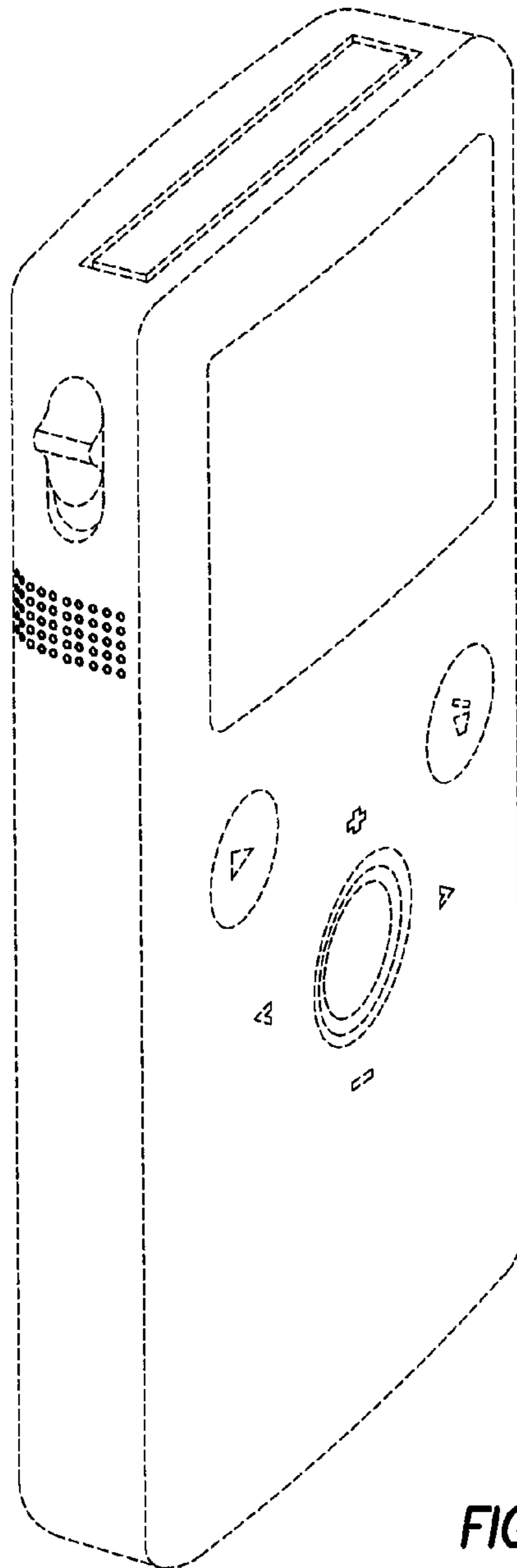


FIG. 2

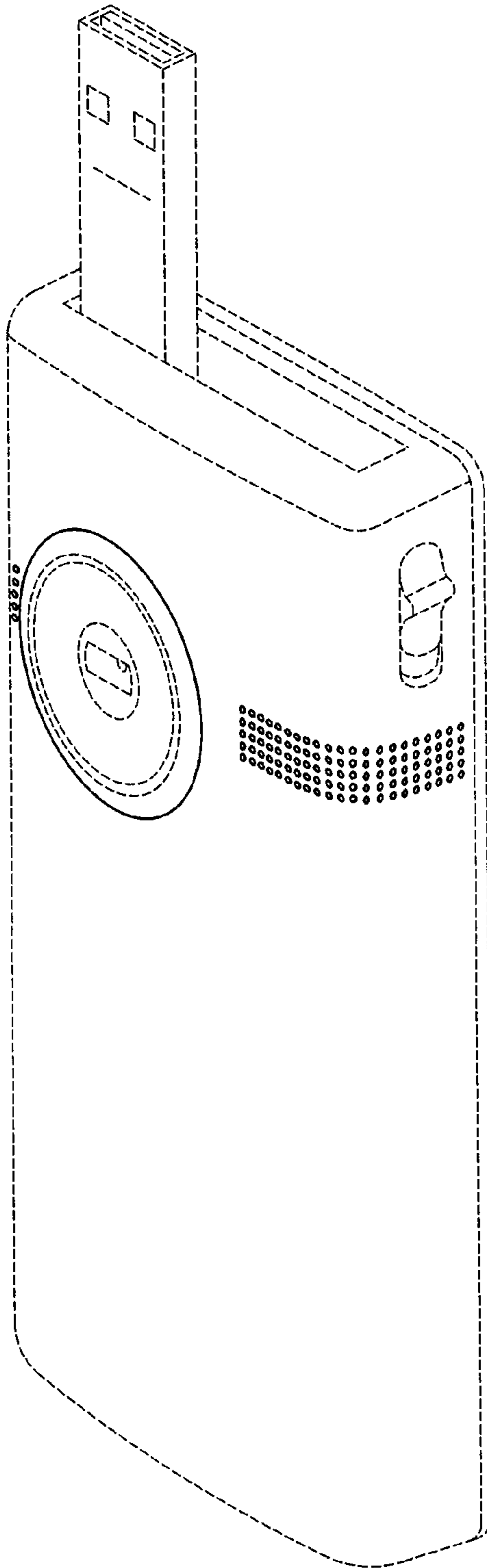


FIG.3

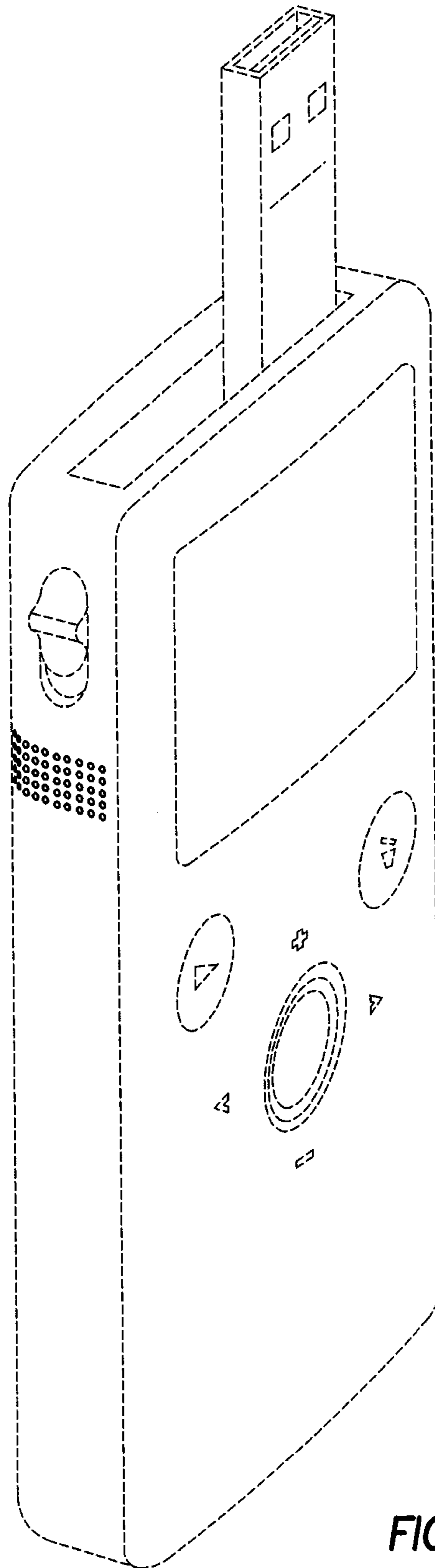


FIG. 4

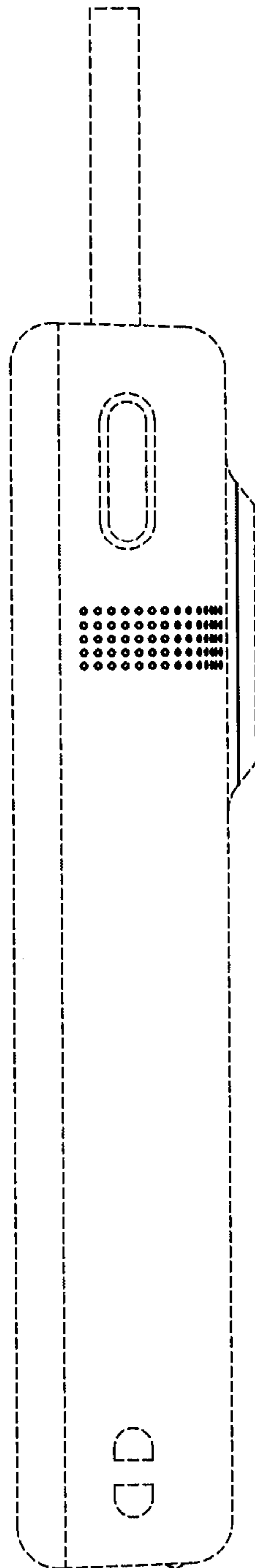


FIG.5

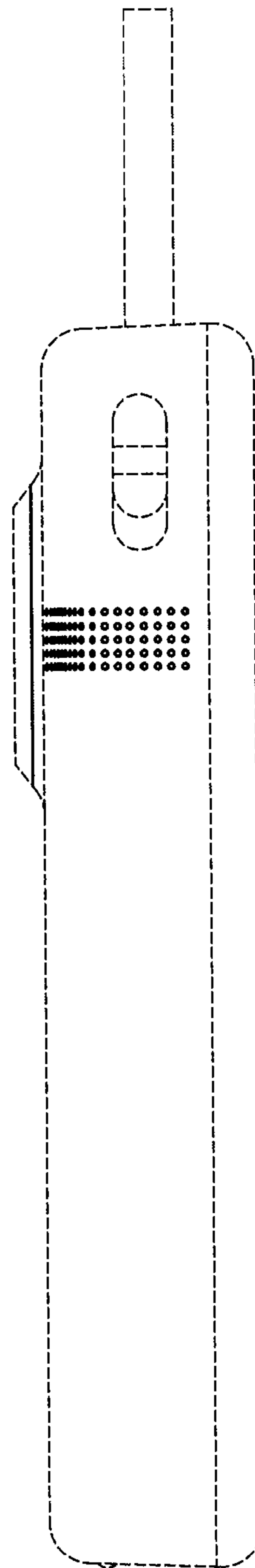


FIG.6

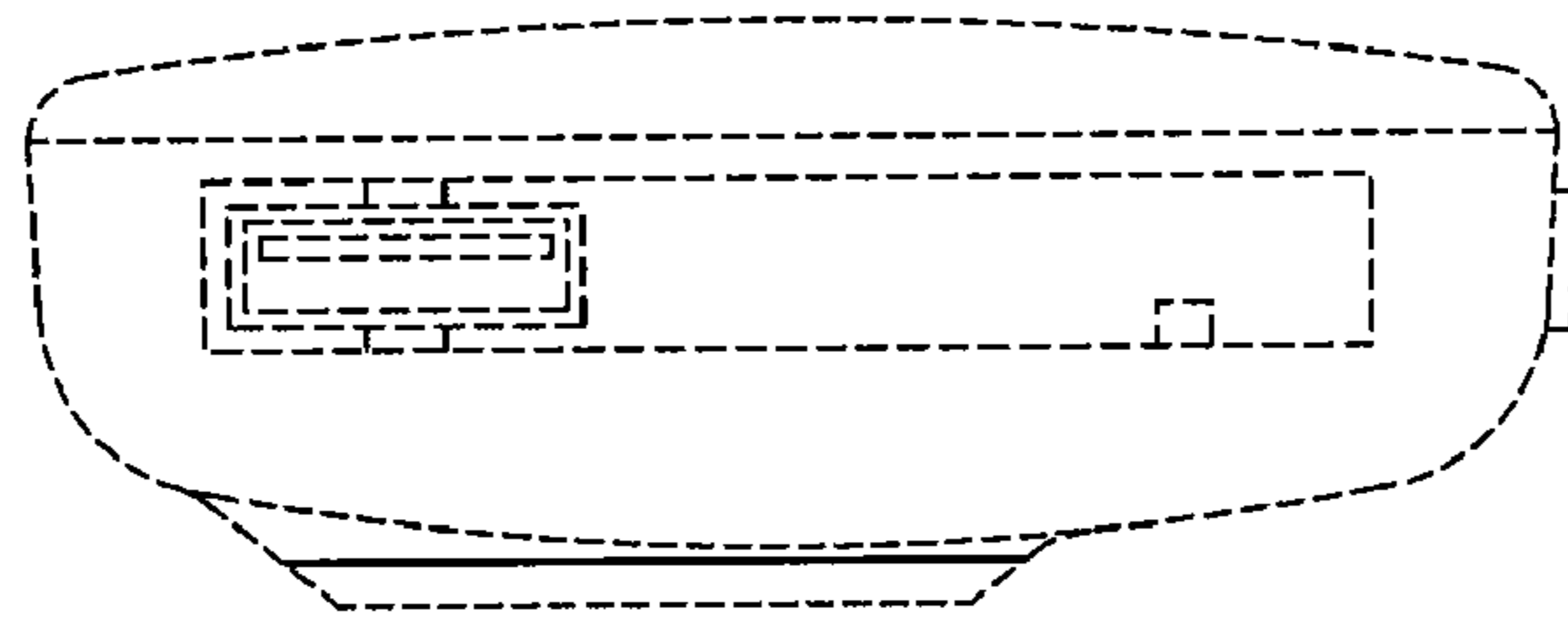


FIG. 7

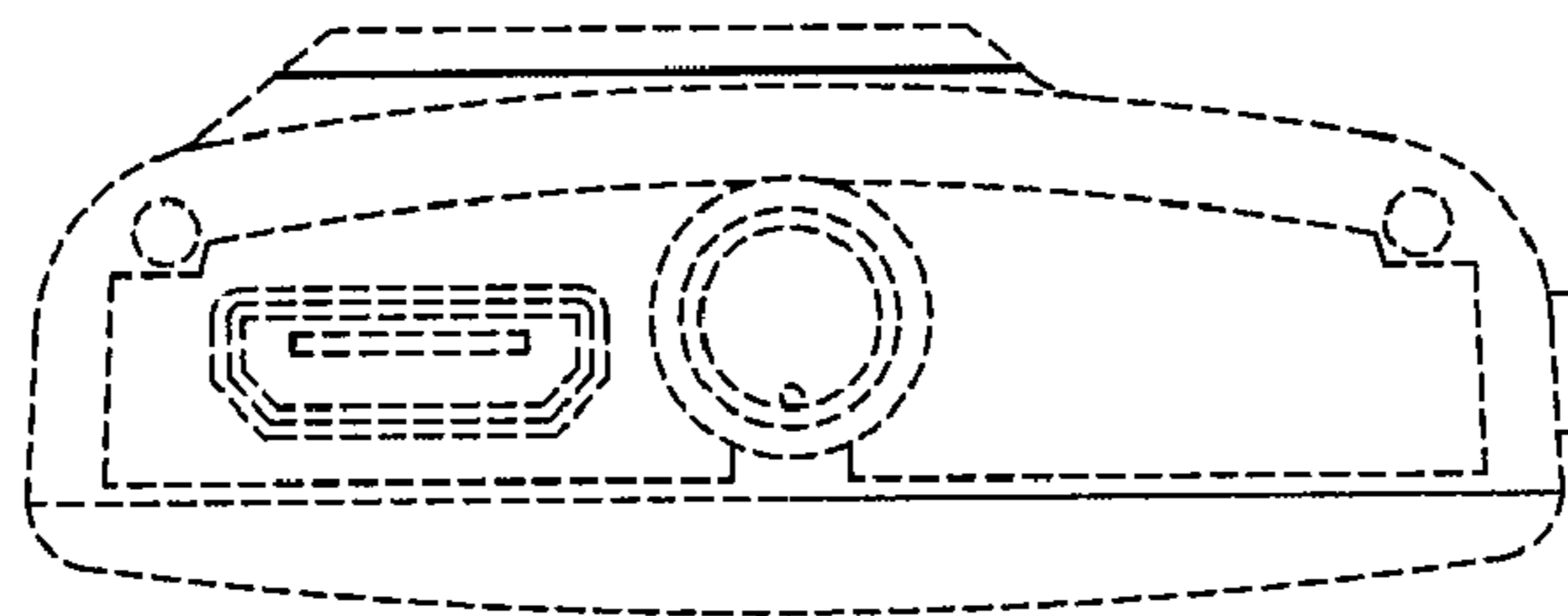


FIG. 8

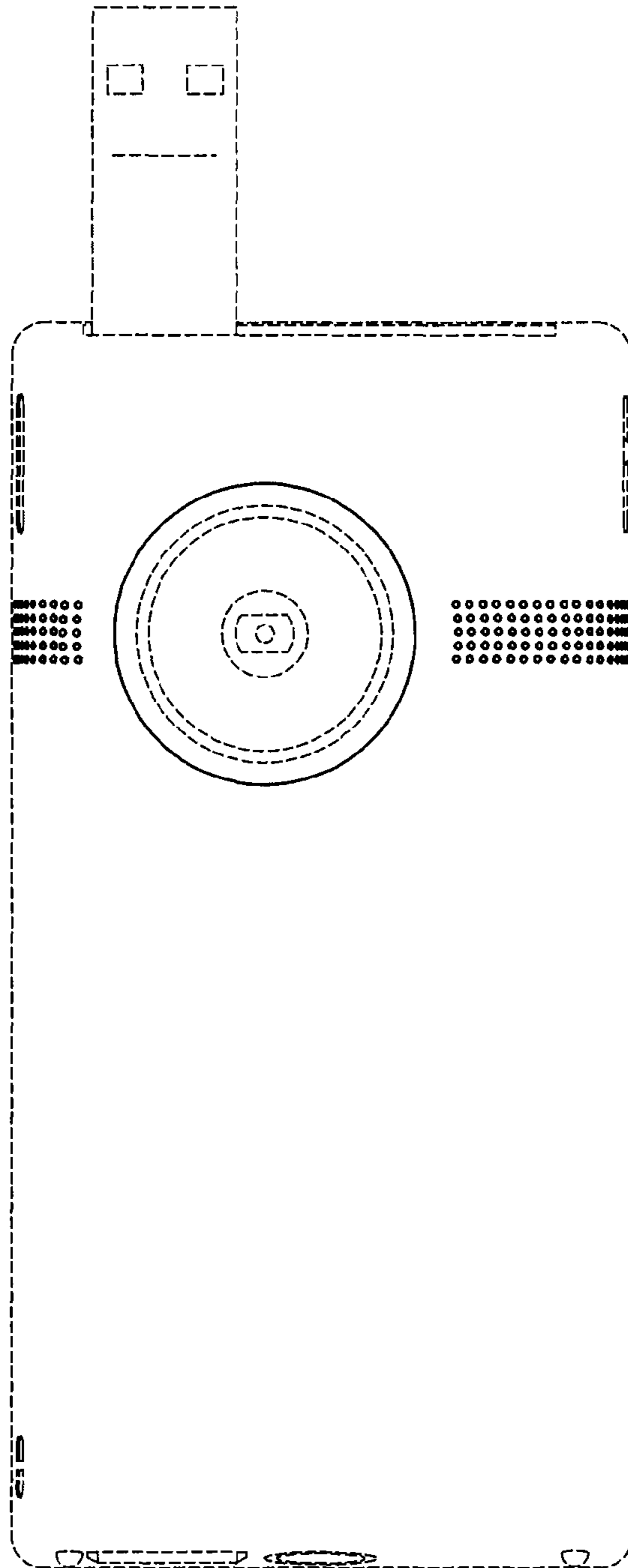


FIG. 9

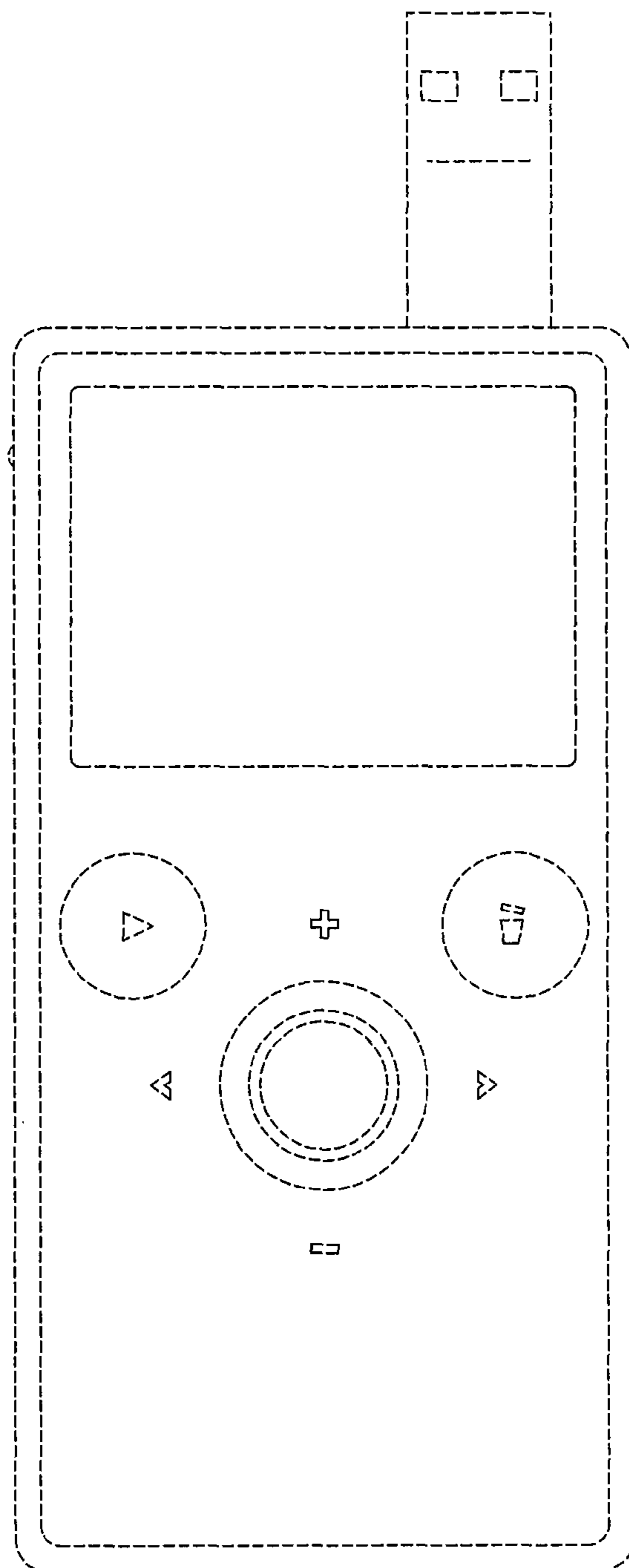


FIG. 10