

US00D676889S

(12) **United States Design Patent**
Dinger et al.

(10) **Patent No.:** **US D676,889 S**

(45) **Date of Patent:** **** Feb. 26, 2013**

(54) **ELECTRONIC DEVICE**

(75) Inventors: **Maarten Dinger**, San Francisco, CA (US); **Nasahn Adam Sheppard**, Mill Valley, CA (US); **Jonathan Kaplan**, San Francisco, CA (US); **John Furlan**, Belmont, CA (US); **Ariel Braunstein**, San Francisco, CA (US); **Simon Fleming-Wood**, Oakland, CA (US); **Richard Tobias Inman**, San Francisco, CA (US); **Elizabeth A. Cleary**, San Francisco, CA (US); **Montford De Lattre**, San Francisco, CA (US); **Mark Manuel Martinez**, San Francisco, CA (US); **Greg Allen Cummings**, San Francisco, CA (US); **Peter Michaelian**, Tappan, NY (US); **Houtan Rahimi Farahani**, San Ramon, CA (US); **Robert Jetter**, Pleasanton, CA (US); **Matthew Morris Taylor**, Mountain View, CA (US); **Tim Oonthim Lau**, Fremont, CA (US); **William Orner**, Mountain View, CA (US)

(73) Assignee: **Cisco Technology, Inc.**, San Jose, CA (US)

(**) Term: **14 Years**

(21) Appl. No.: **29/379,145**

(22) Filed: **Nov. 15, 2010**

Related U.S. Application Data

(63) Continuation of application No. 29/358,677, filed on Mar. 30, 2010, now Pat. No. Des. 631,902.

(51) **LOC (9) Cl.** **16-05**

(52) **U.S. Cl.** **D16/219**

(58) **Field of Classification Search** D16/200–204, D16/208, 218, 219; 348/373–376; 358/909.1; 396/535–541

See application file for complete search history.

(56) **References Cited**

U.S. PATENT DOCUMENTS

6,683,653	B1 *	1/2004	Miyake et al.	348/373
6,992,721	B1 *	1/2006	Kabayashi et al.	348/373
D627,380	S *	11/2010	Sheppard et al.	D16/202
D632,324	S *	2/2011	Dinger et al.	D16/202
8,108,017	B2 *	1/2012	Jang et al.	348/376
8,115,831	B2 *	2/2012	Rodriguez et al.	348/375

* cited by examiner

Primary Examiner — Adir Aronovich

(74) *Attorney, Agent, or Firm* — Patterson & Sheridan, LLP

(57) **CLAIM**

The ornamental design for an electronic device, as shown and described.

DESCRIPTION

FIG. 1 is a top, front, and left side perspective view of an electronic device showing our new design.

FIG. 2 is a bottom, rear, and left side perspective view thereof.

FIG. 3 is a front elevational view thereof.

FIG. 4 is a rear elevational view thereof.

FIG. 5 is top plan view thereof.

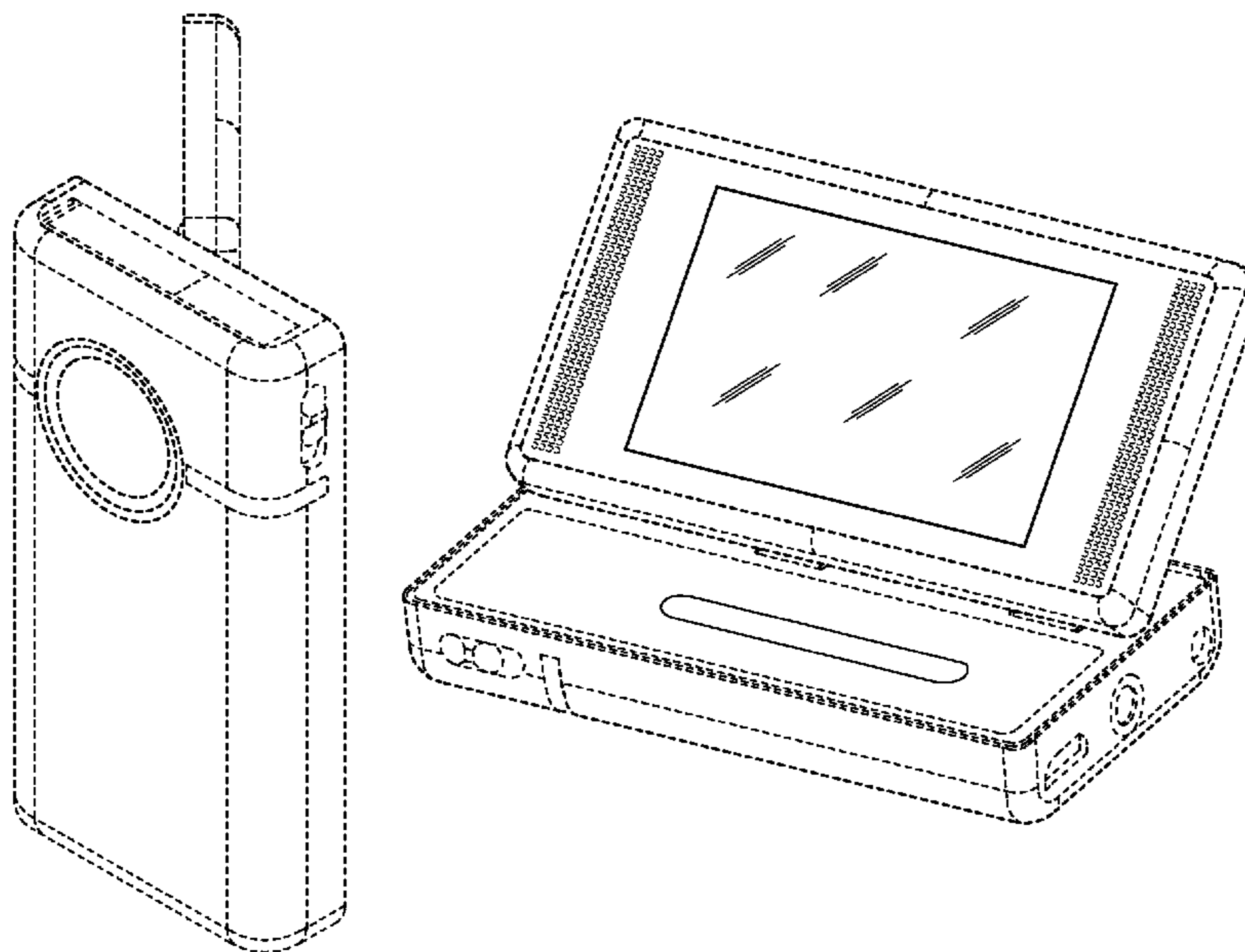
FIG. 6 is a bottom plan view thereof.

FIG. 7 is a right side elevational view thereof; and,

FIG. 8 is a left side elevational view thereof.

The portions of the electronic device in broken lines are shown to illustrate environment only and form no part of the claimed design.

1 Claim, 4 Drawing Sheets



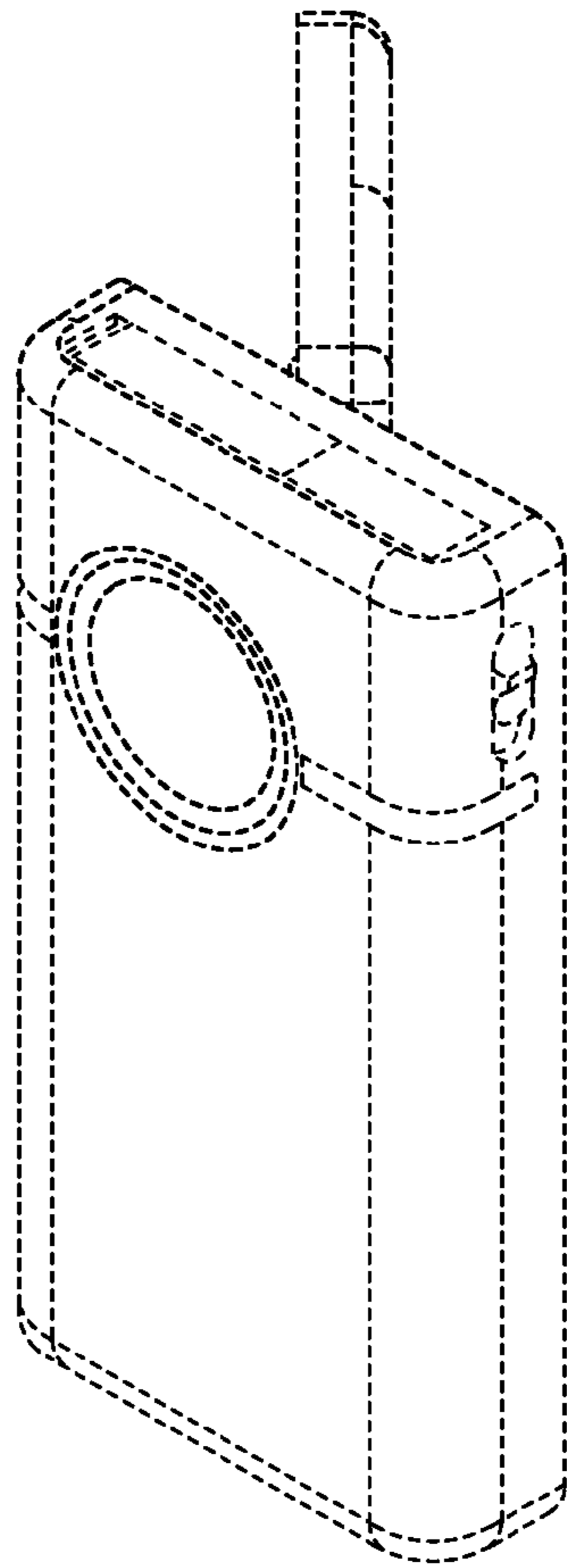


FIG. 1

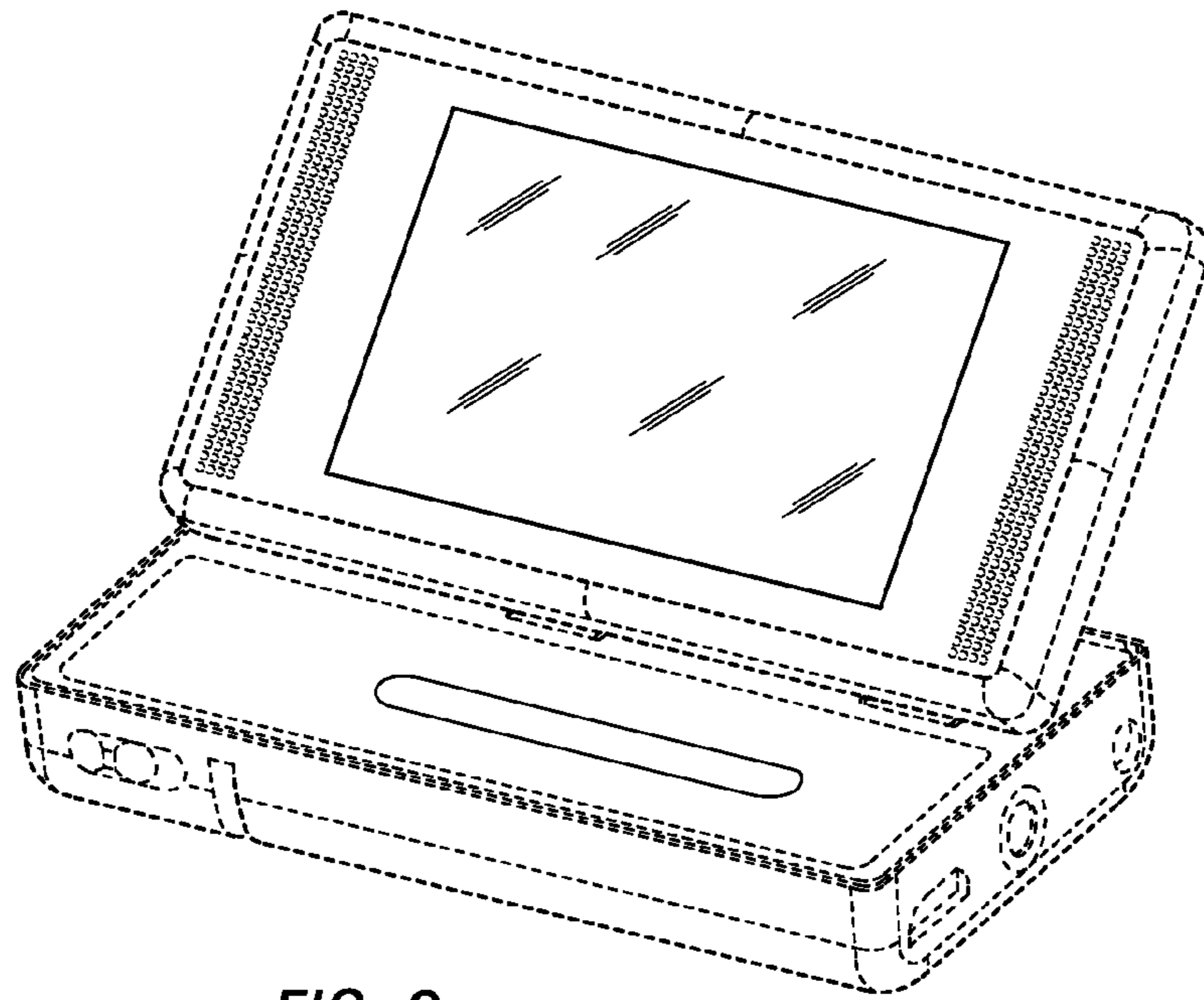


FIG. 2

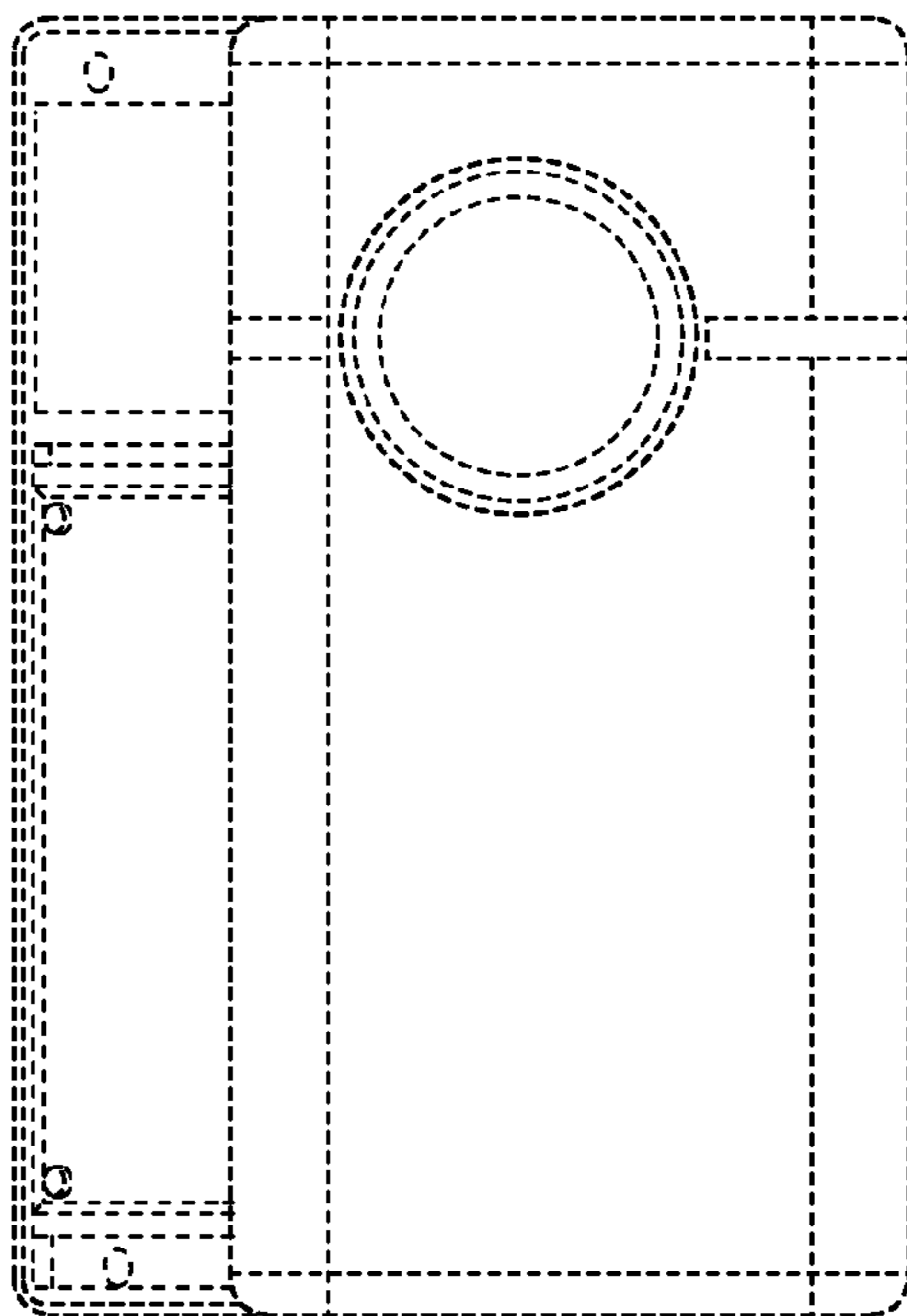


FIG. 3

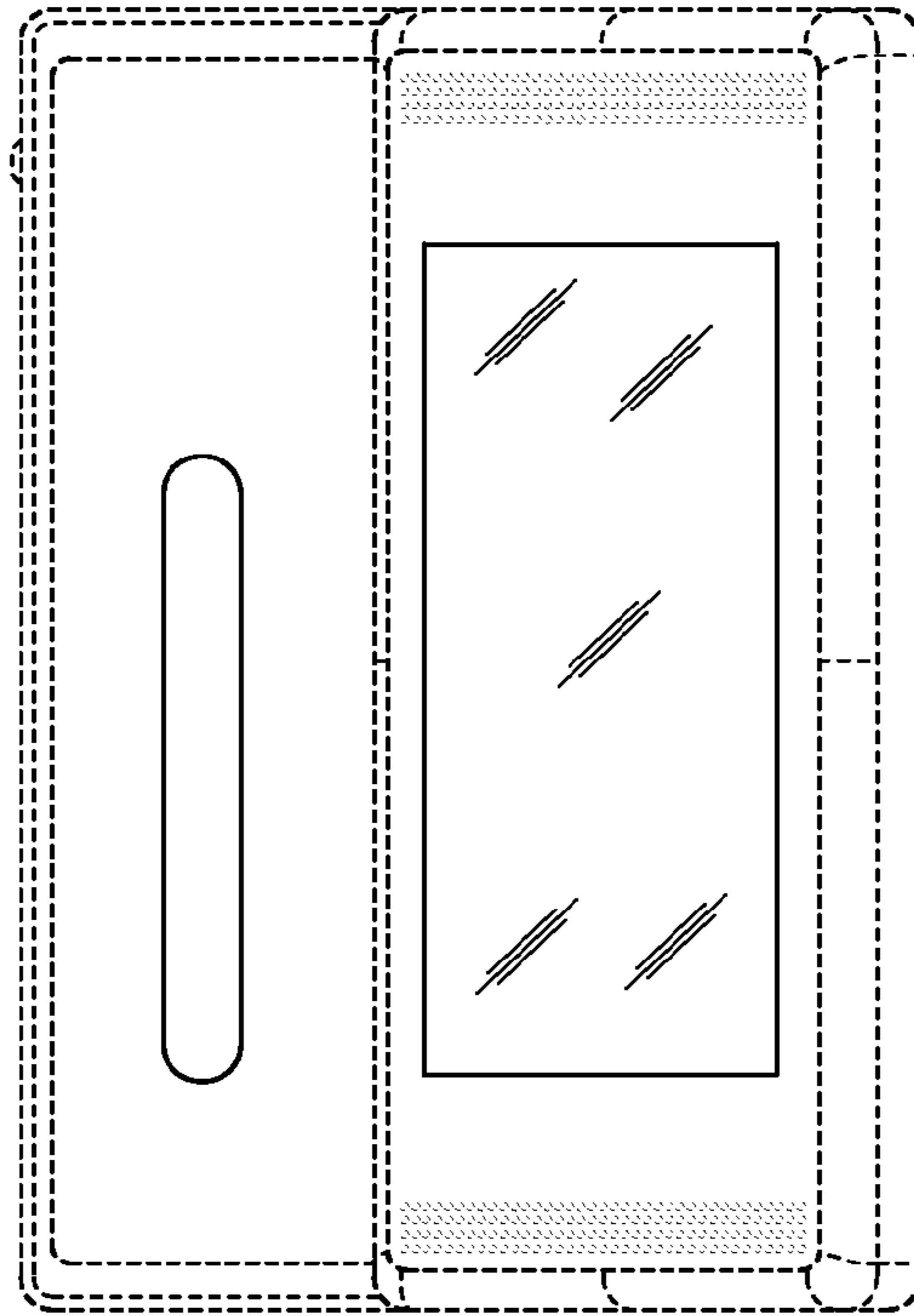


FIG. 4

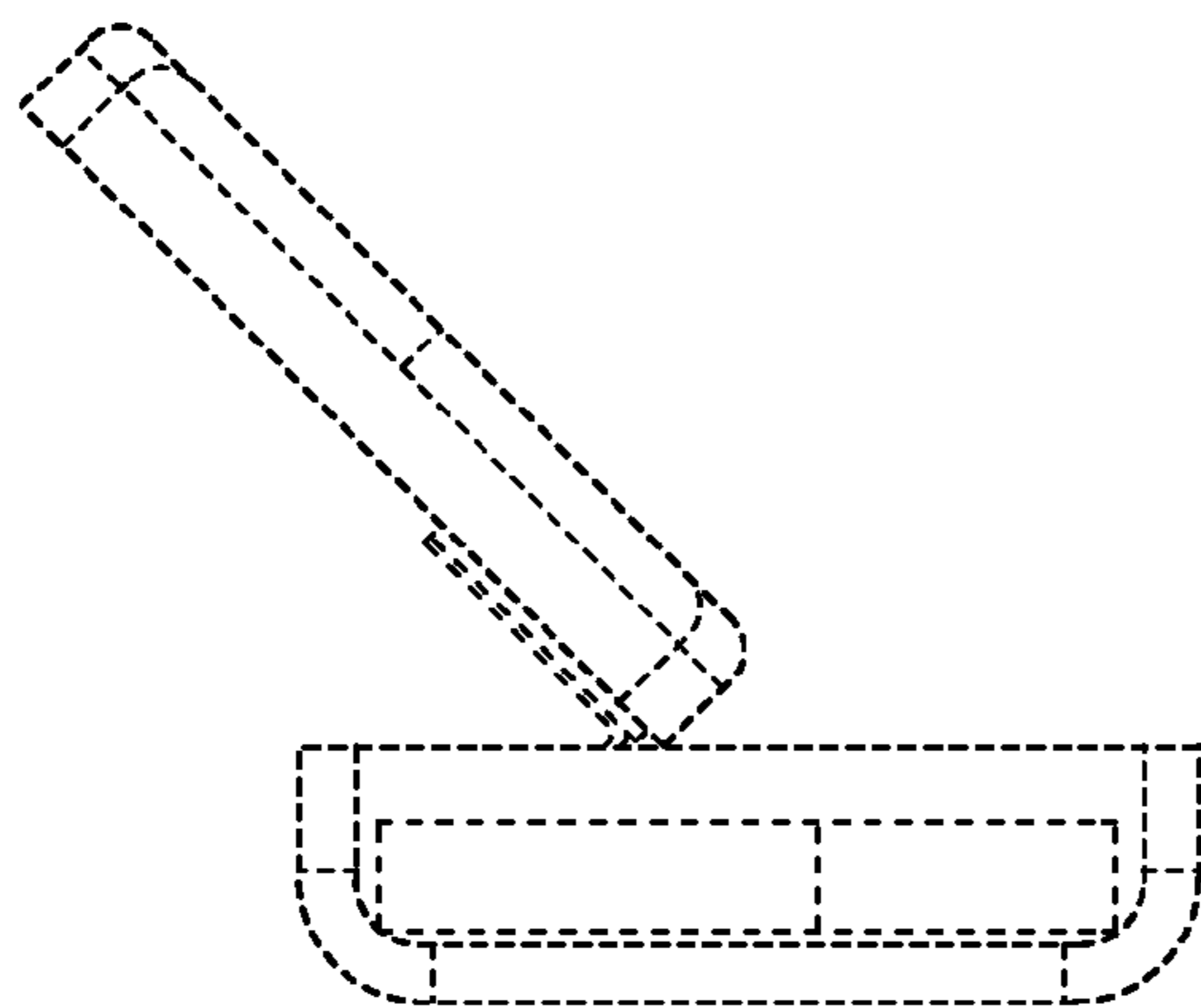


FIG. 5

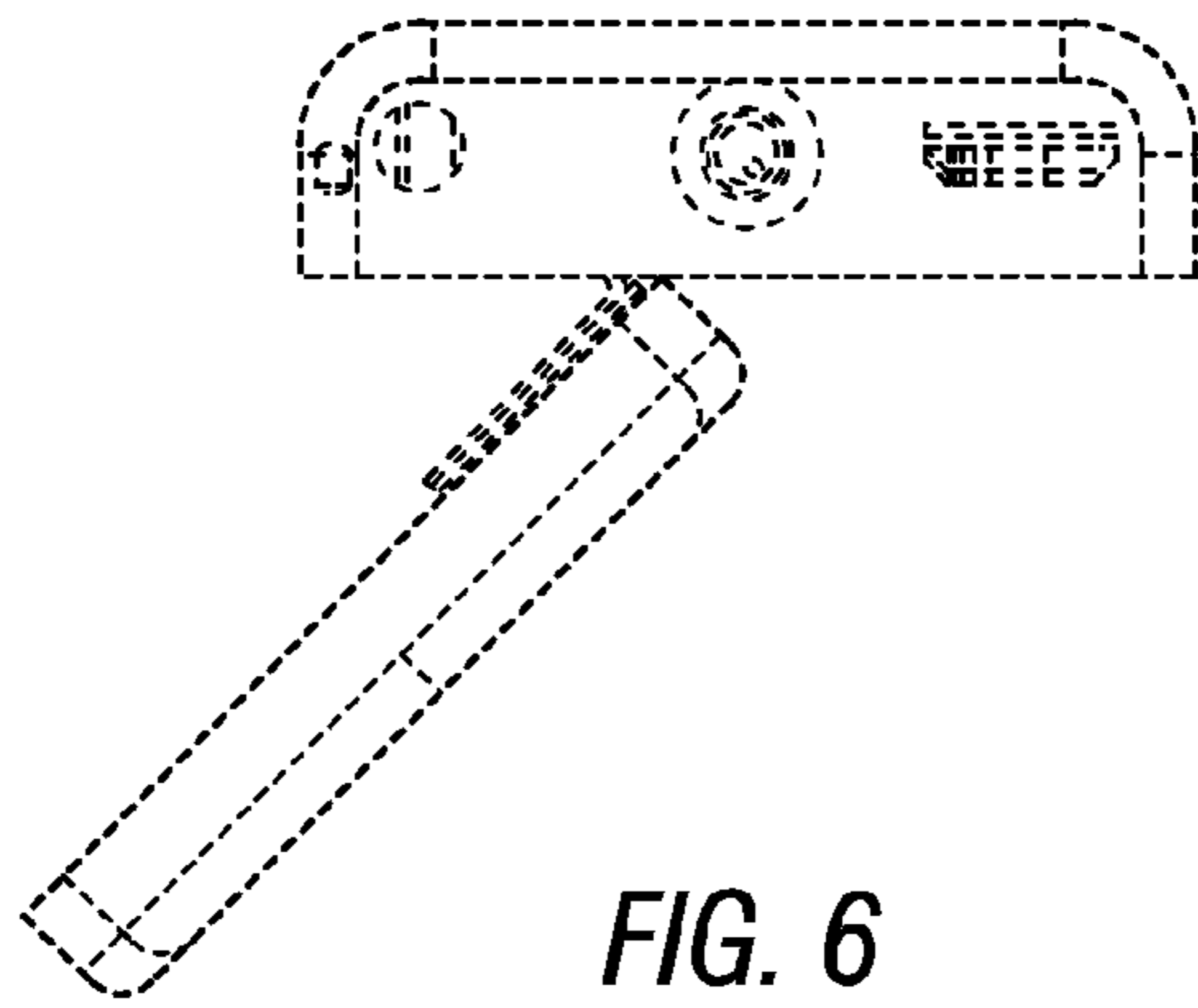


FIG. 6

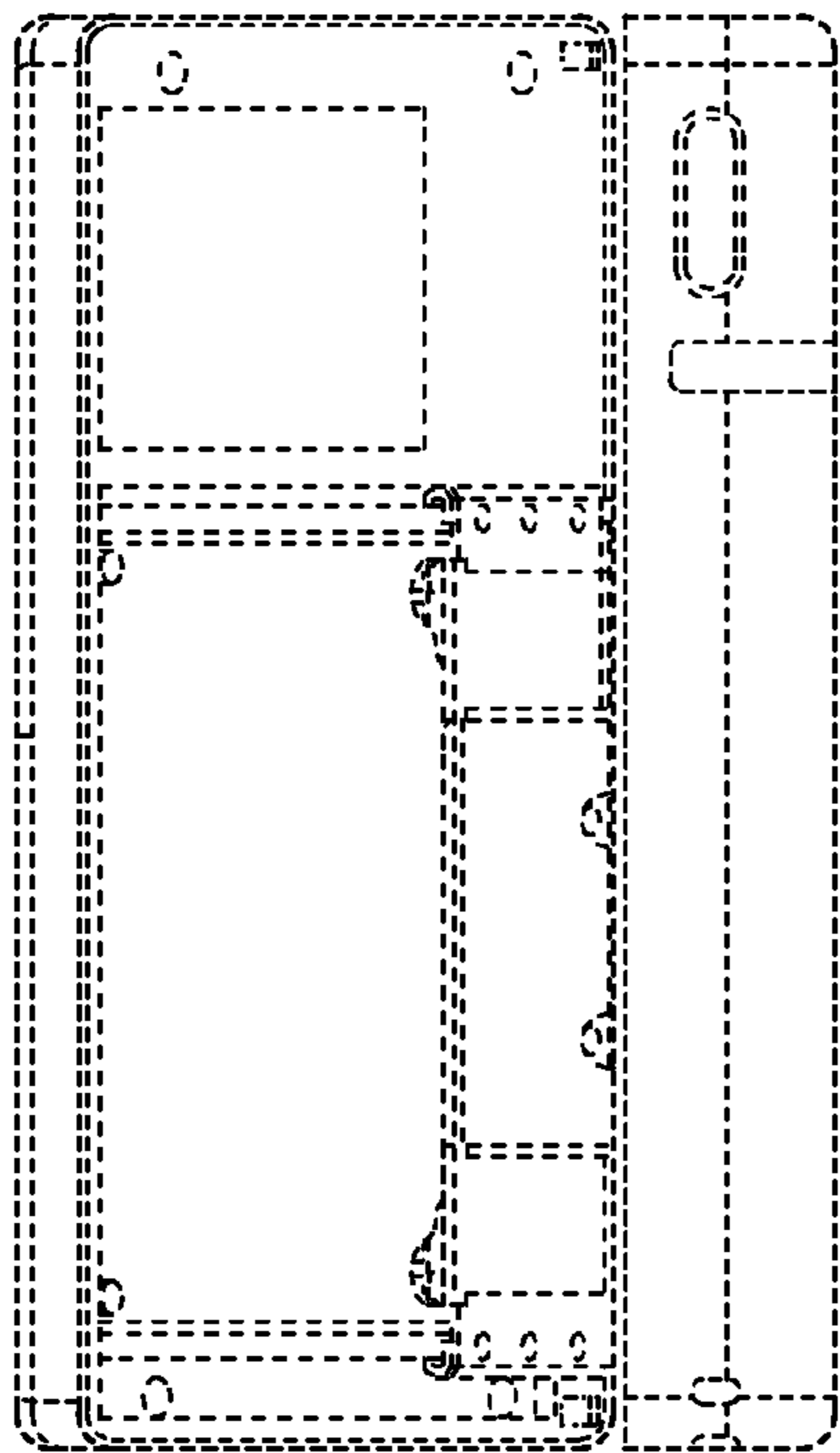


FIG. 7

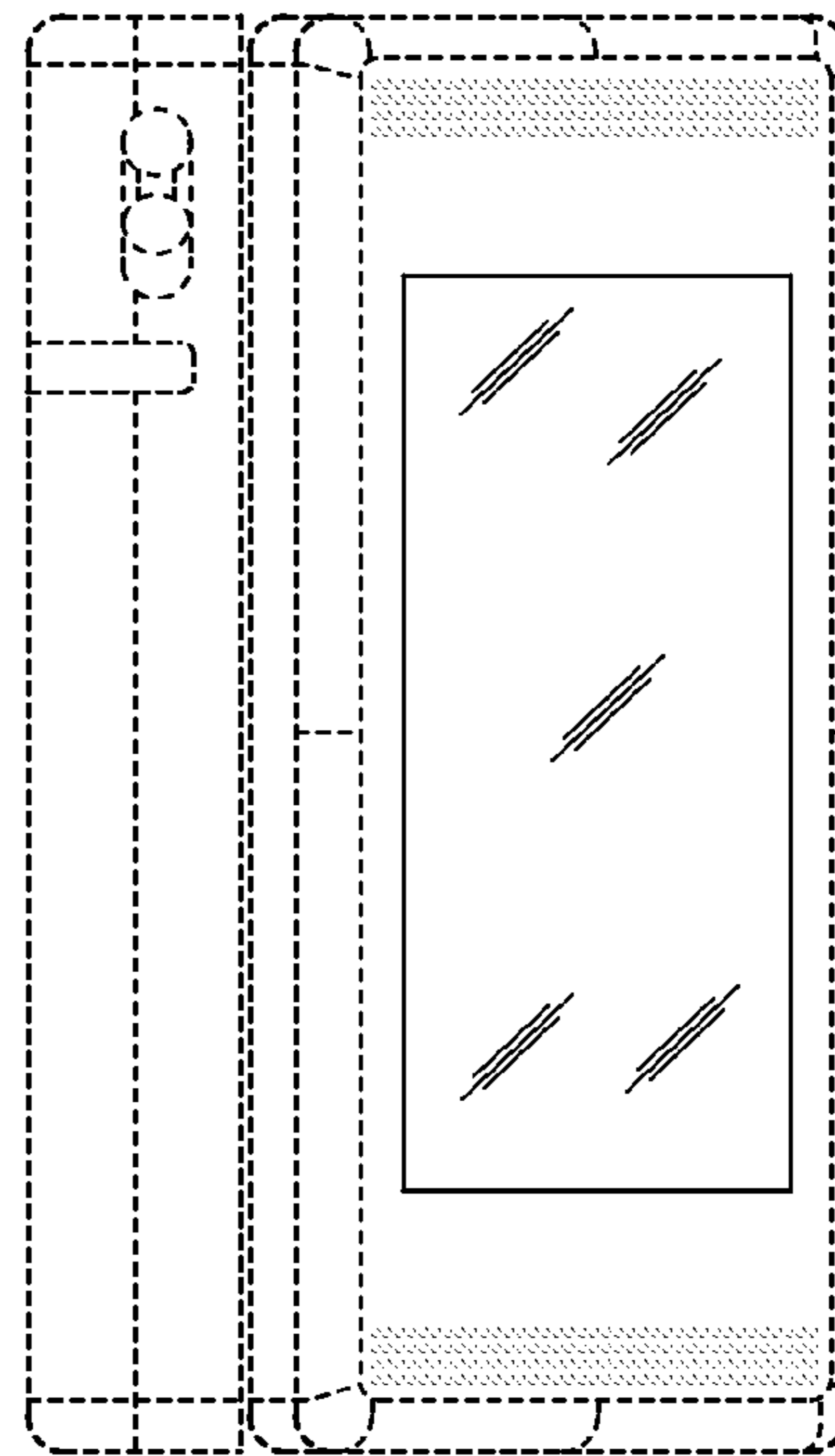


FIG. 8